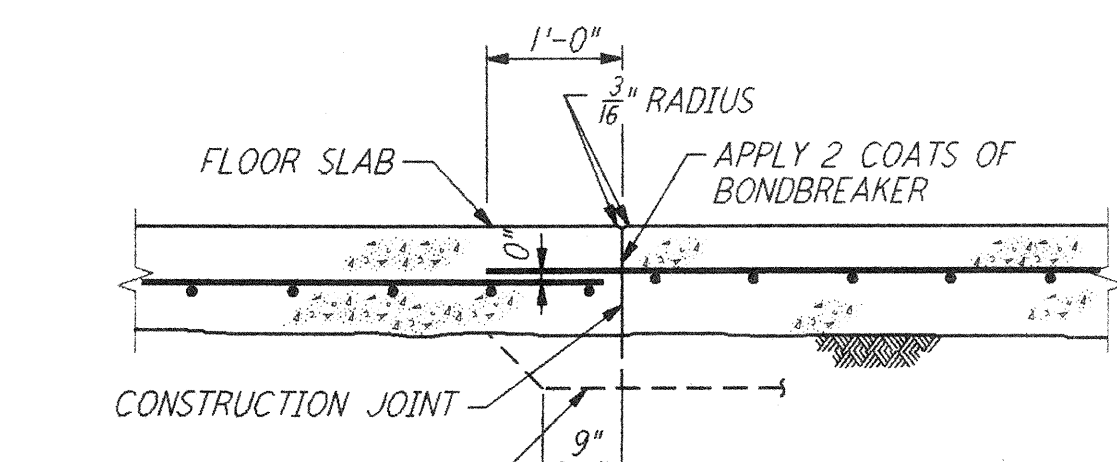
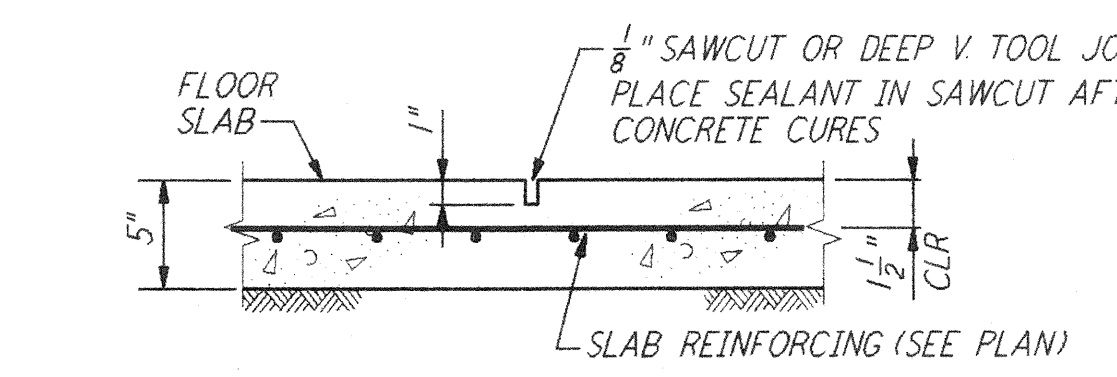


NOTE:
 INSTALL MOISTURE BARRIER WITH 2\"/>

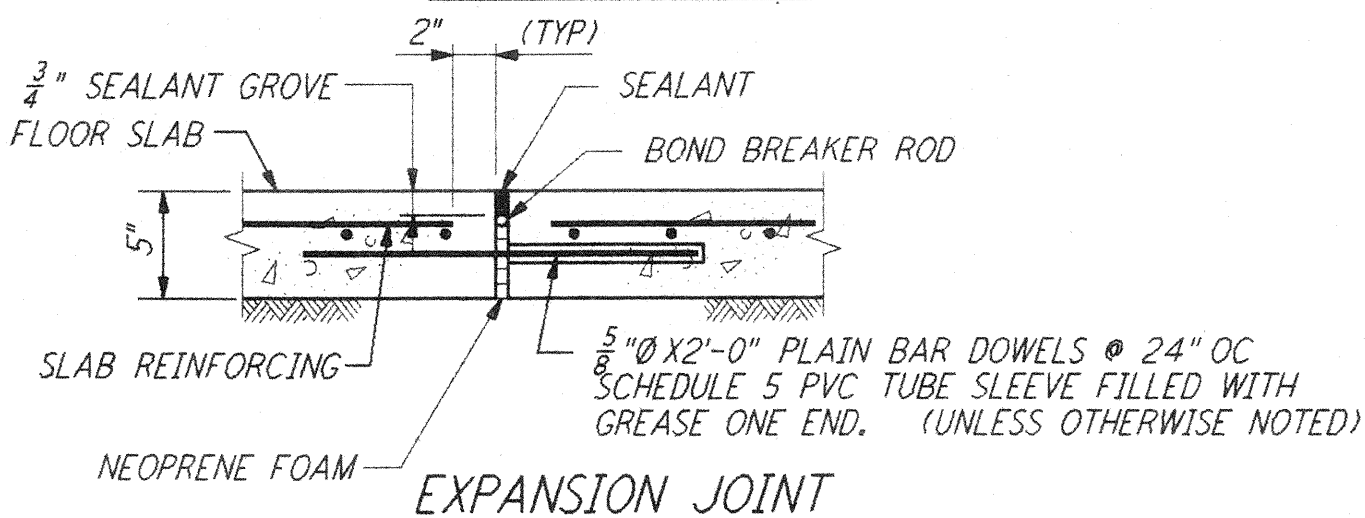
SLAB ON GRADE EDGE (1)



CONSTRUCTION JOINT



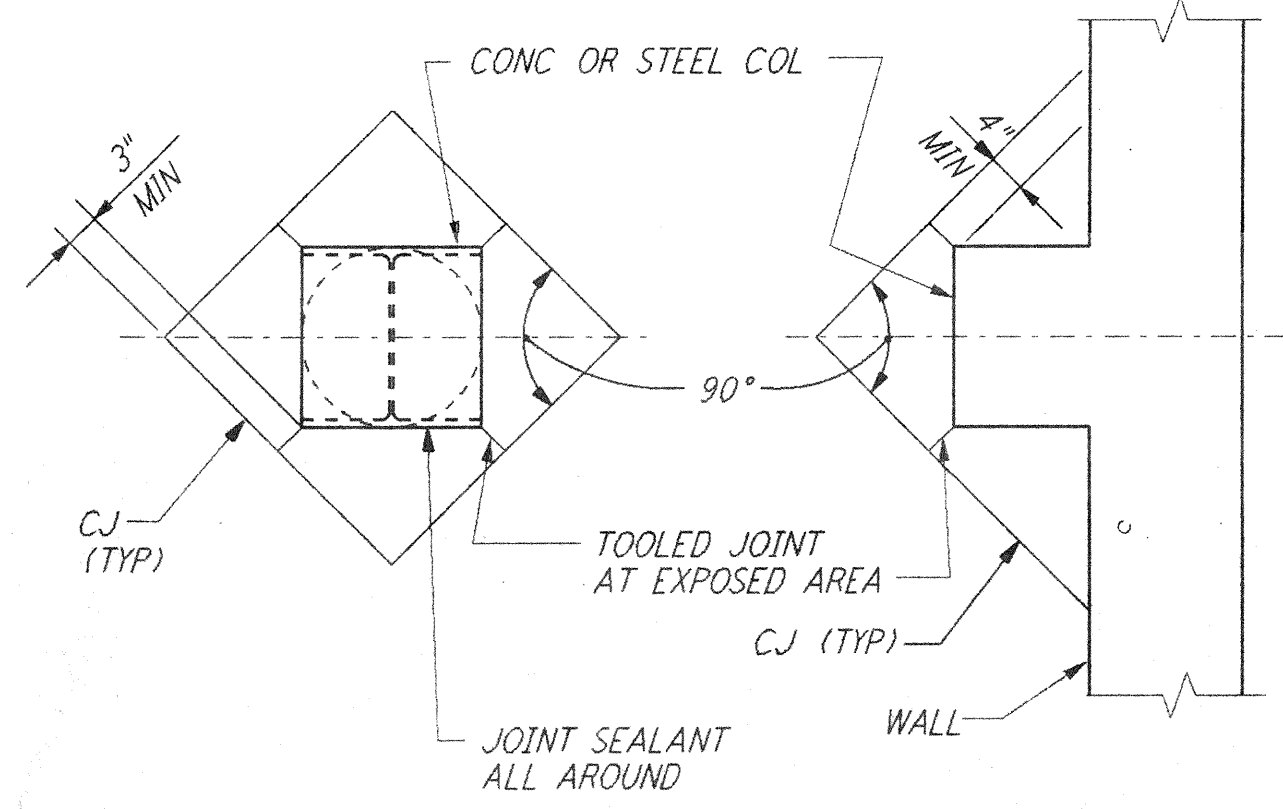
CONTROL JOINT



EXPANSION JOINT

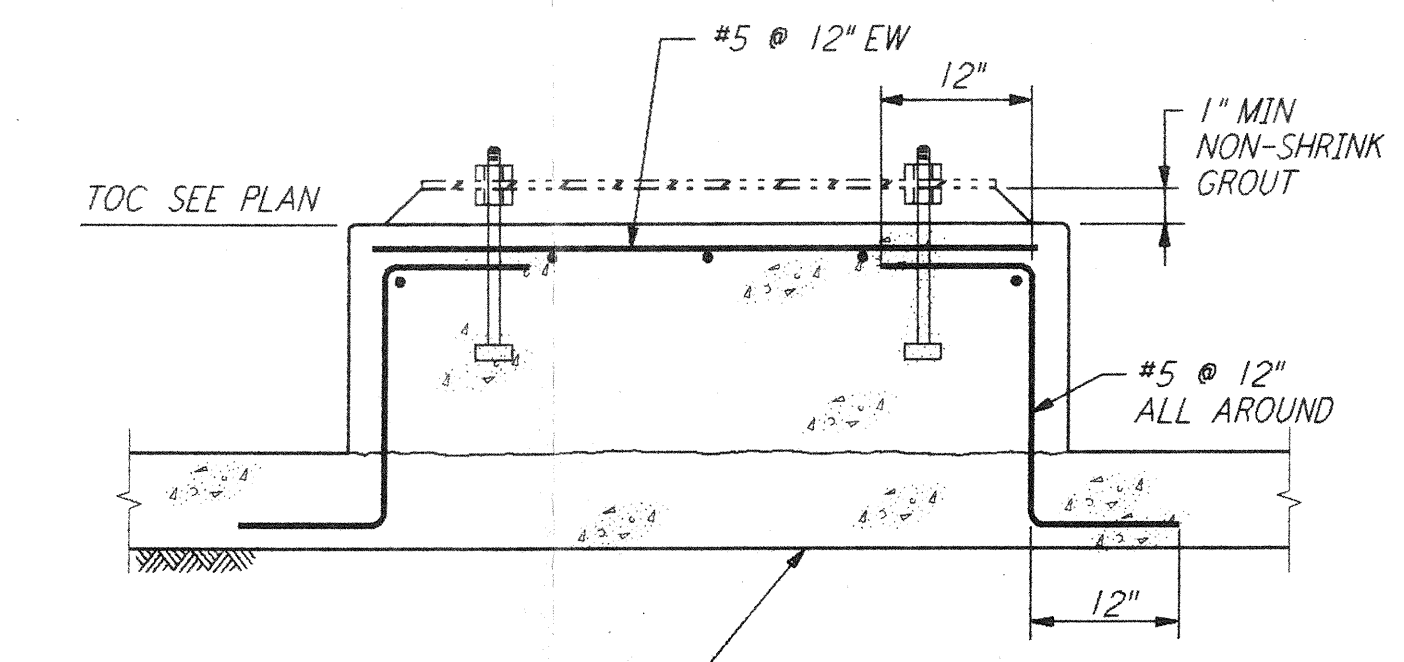
NOTE:
 CONSTRUCTION JOINT DETAIL IS MANDATORY FOR POUR JOINTS. AT OWNERS OPTION SLAB MAY BE POURED CONTINUOUS & CONTROL JOINTS MAY BE USED EVERYWHERE ELSE. CONSTRUCTION JOINT TO BE USED IN ONE DIRECTION AND CONTROL JOINTS IN THE OTHER DIRECTION - LIMIT OF POUR 400 SQ FT.

SLAB ON GRADE JOINTS (6)

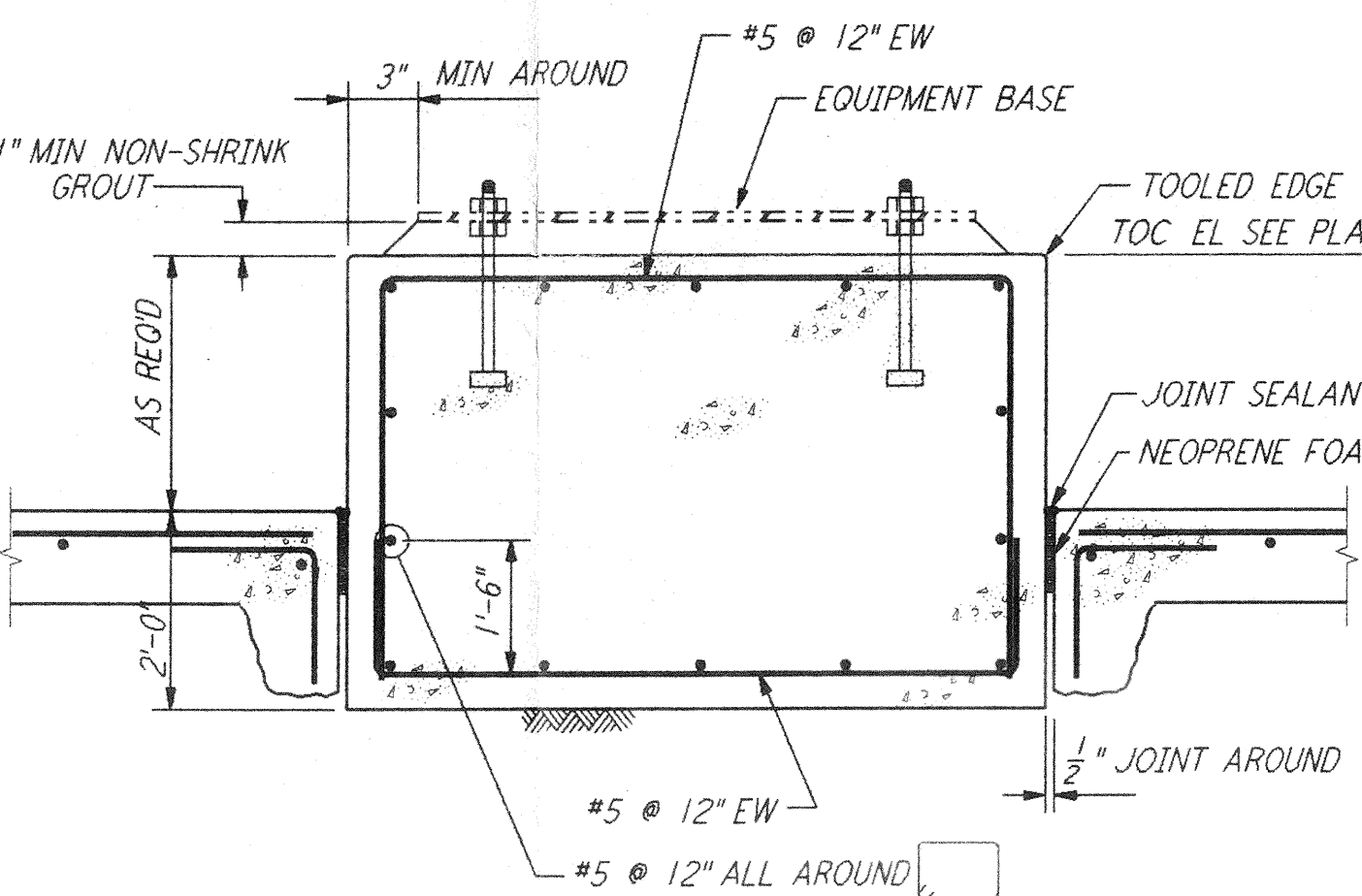


SLAB ON GRADE

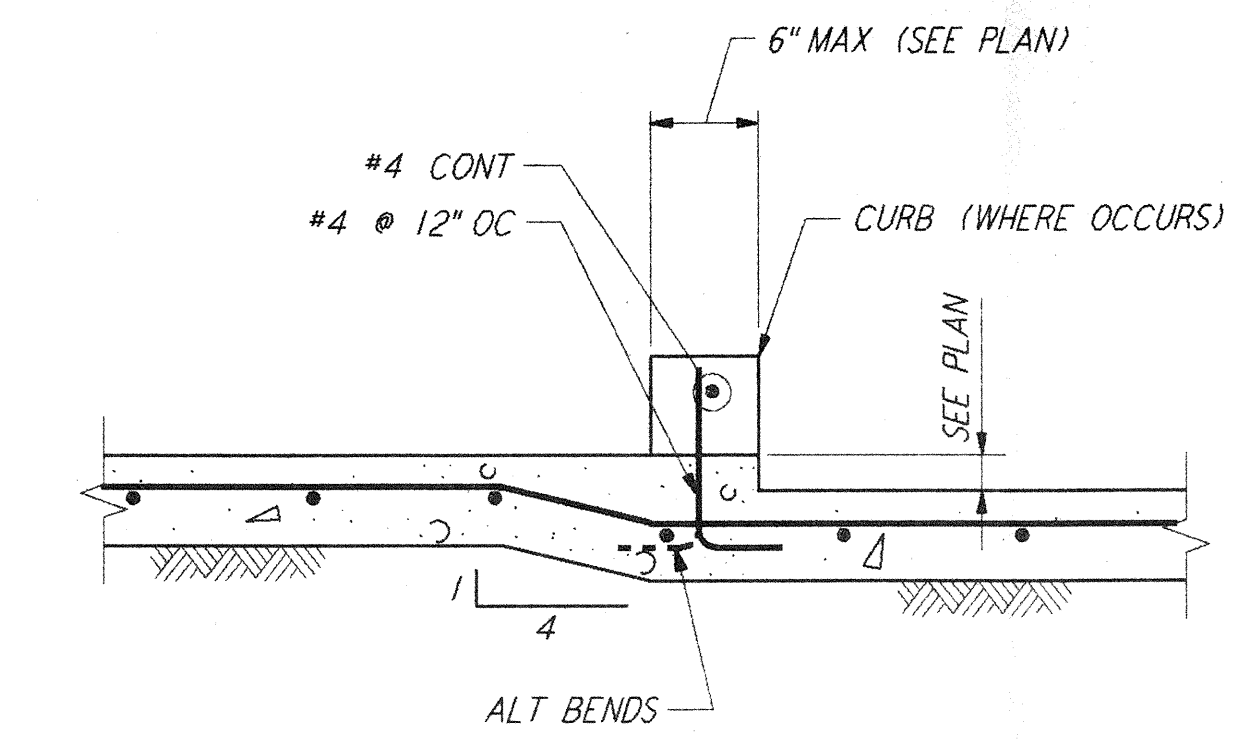
CONSTRUCTION JOINTS AT COL (7)



EQUIPMENT BASE (8)

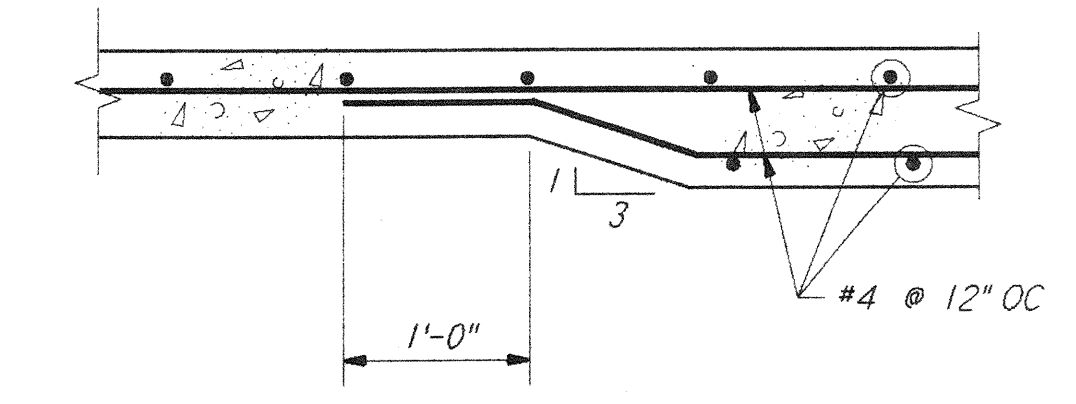


EQUIPMENT BASE WITH SEPARATING JOINT (9)



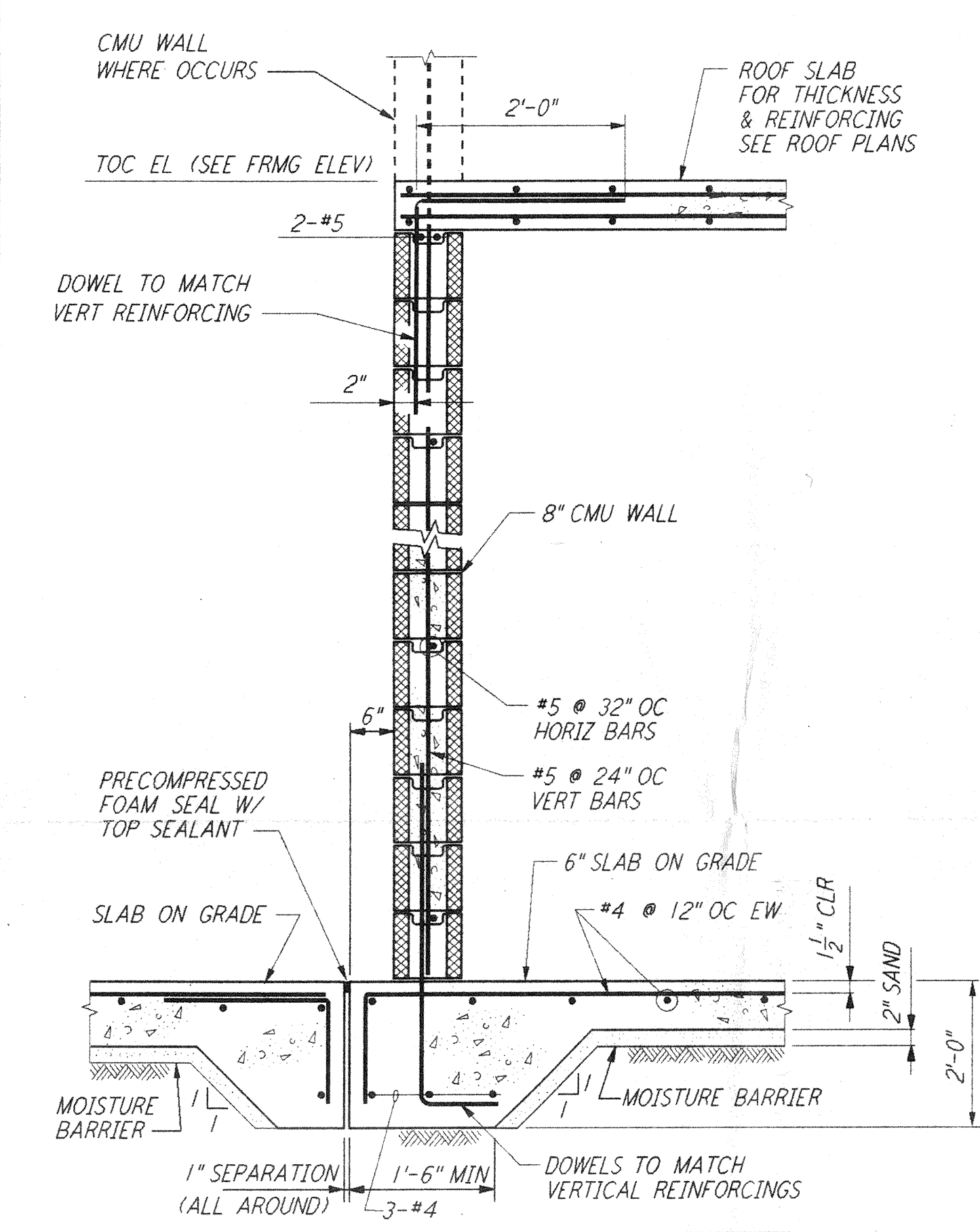
NOTES:
 1. SEE ARCH PLAN FOR EXTENT OF CURB.
 2. FOR ADDITIONAL INFORMATION SEE DETAIL (1)

DEPRESSED SLAB (4)



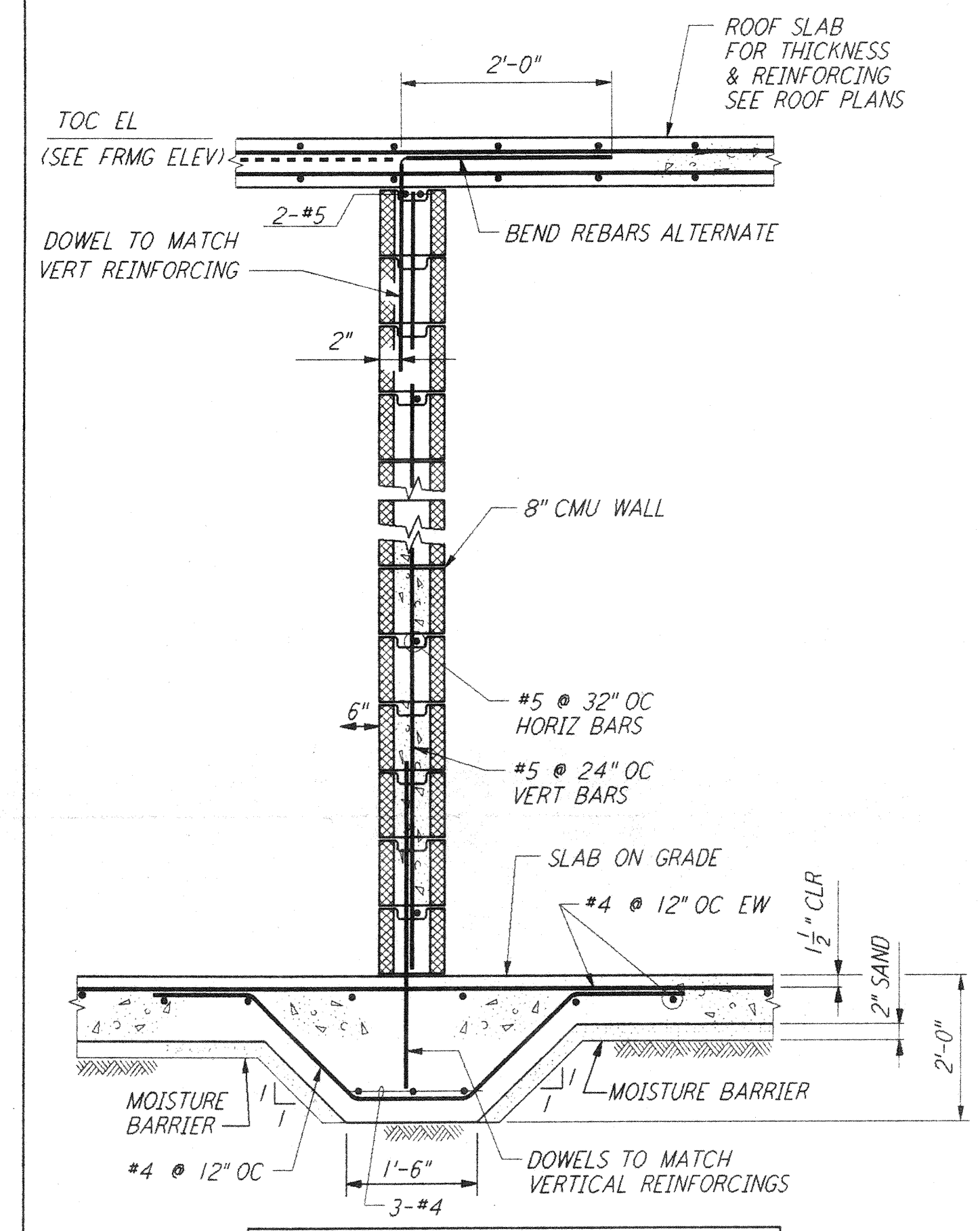
NOTE:
 1. FOR ADDITIONAL INFORMATION SEE DETAIL (1)

THICKENED SLAB (5)



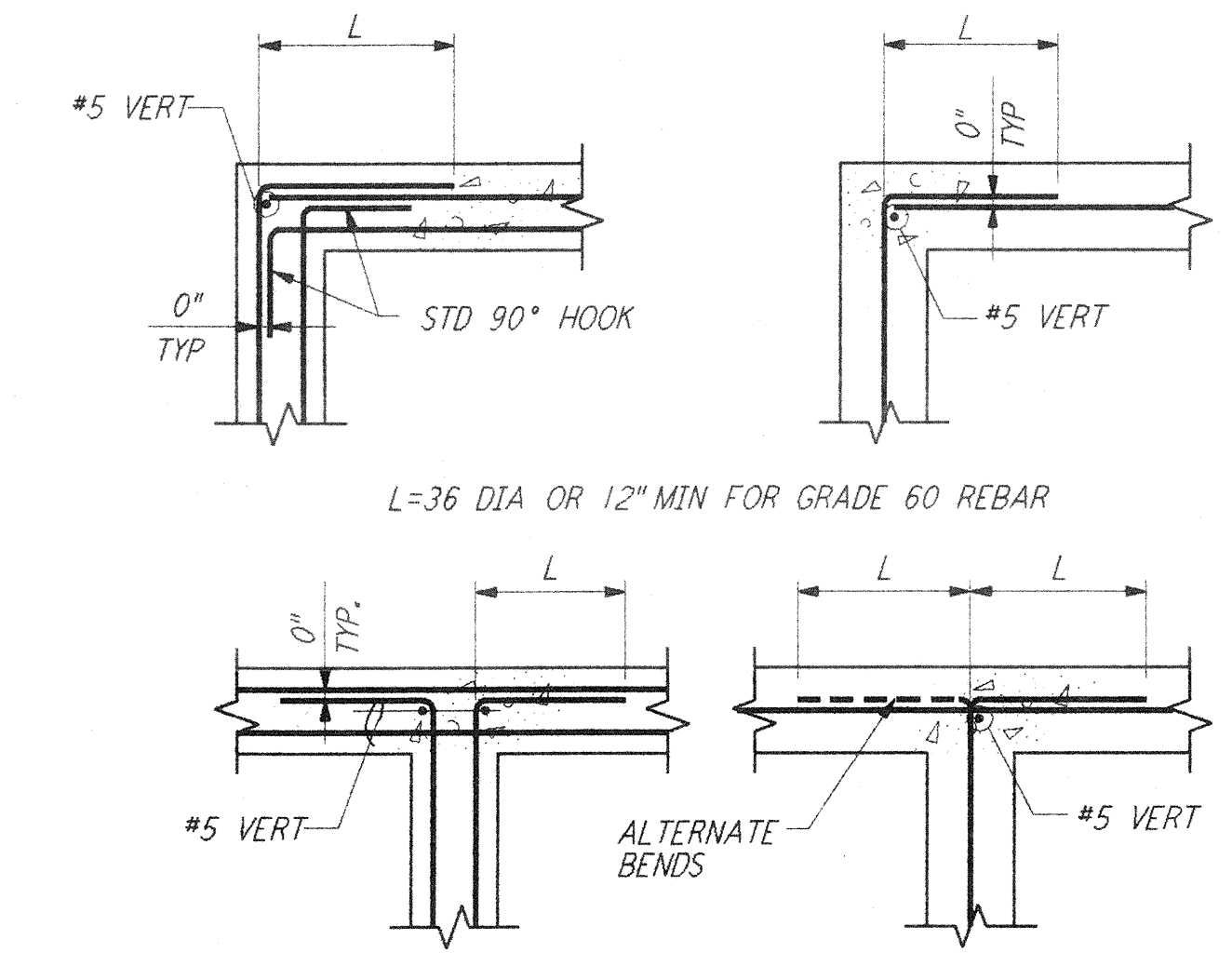
NOTE:
 INSTALL MOISTURE BARRIER WITH 2\"/>

MASONRY WALL DETAIL (10)

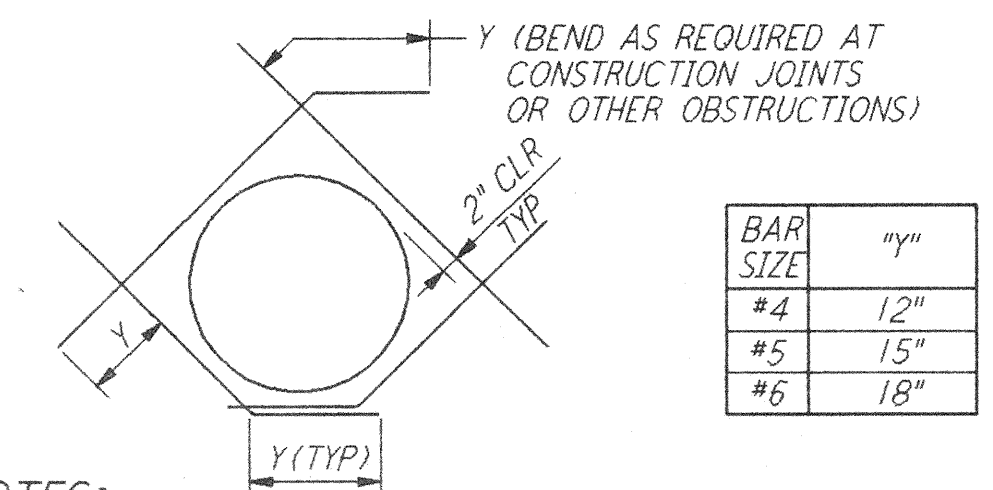


NOTE:
 INSTALL MOISTURE BARRIER WITH 2\"/>

MASONRY WALL DETAIL (16)

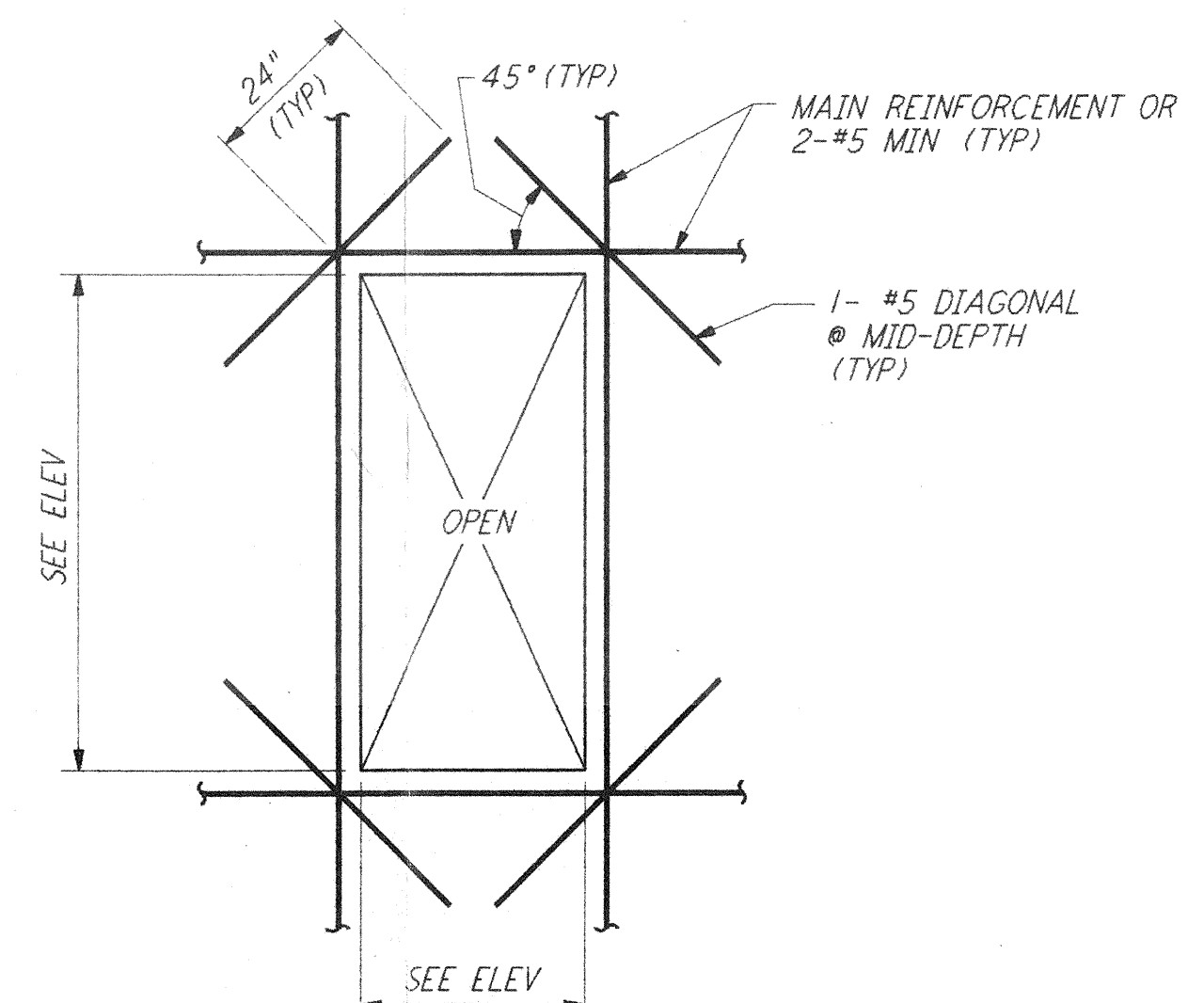


HORIZONTAL WALL REINFORCEMENT (11)

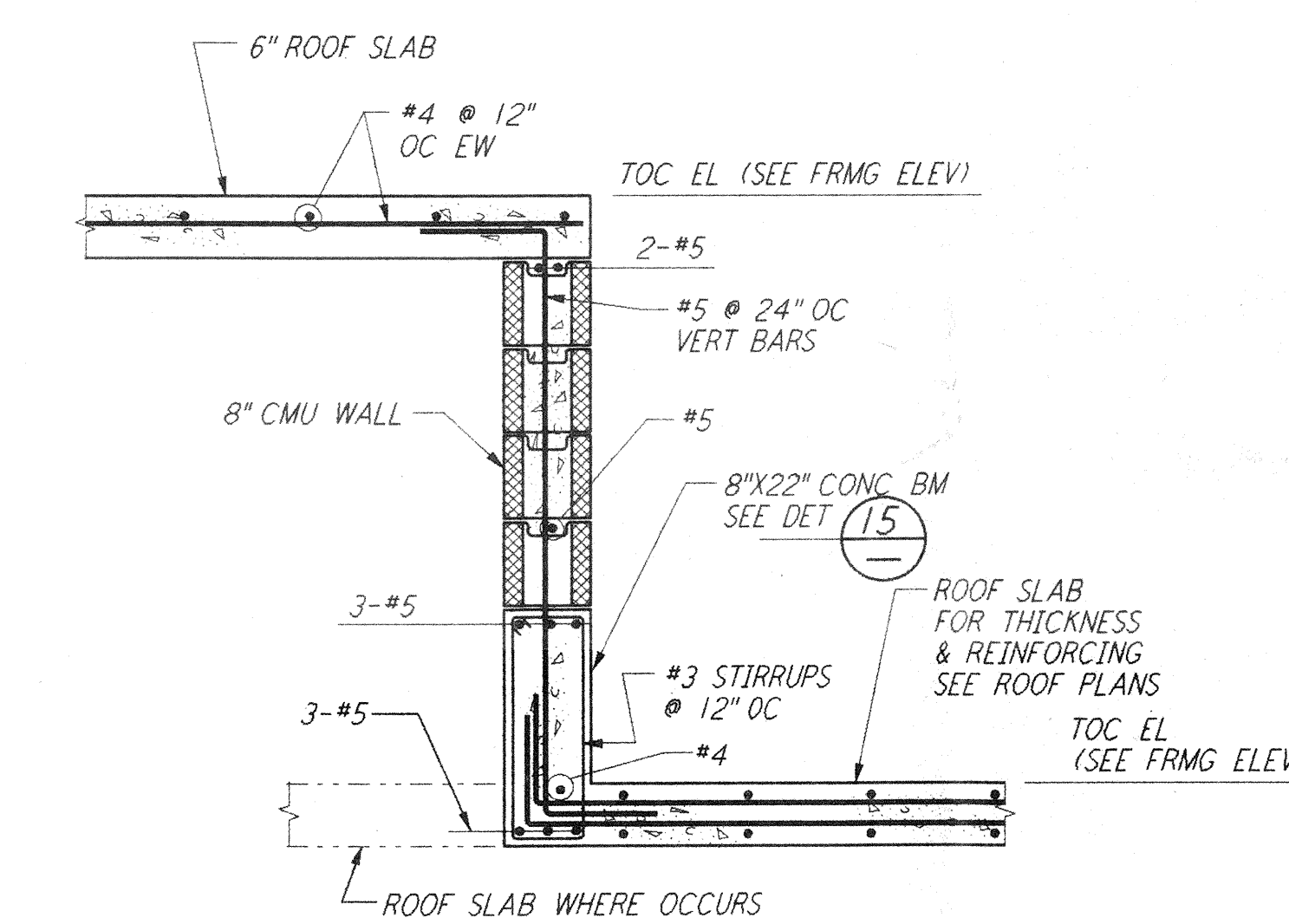


NOTES:
 1. CUT NORMAL REINFORCEMENT AT OPENING.
 2. DIAGONAL BARS TO BE PLACED:
 A. AT 2\"/>

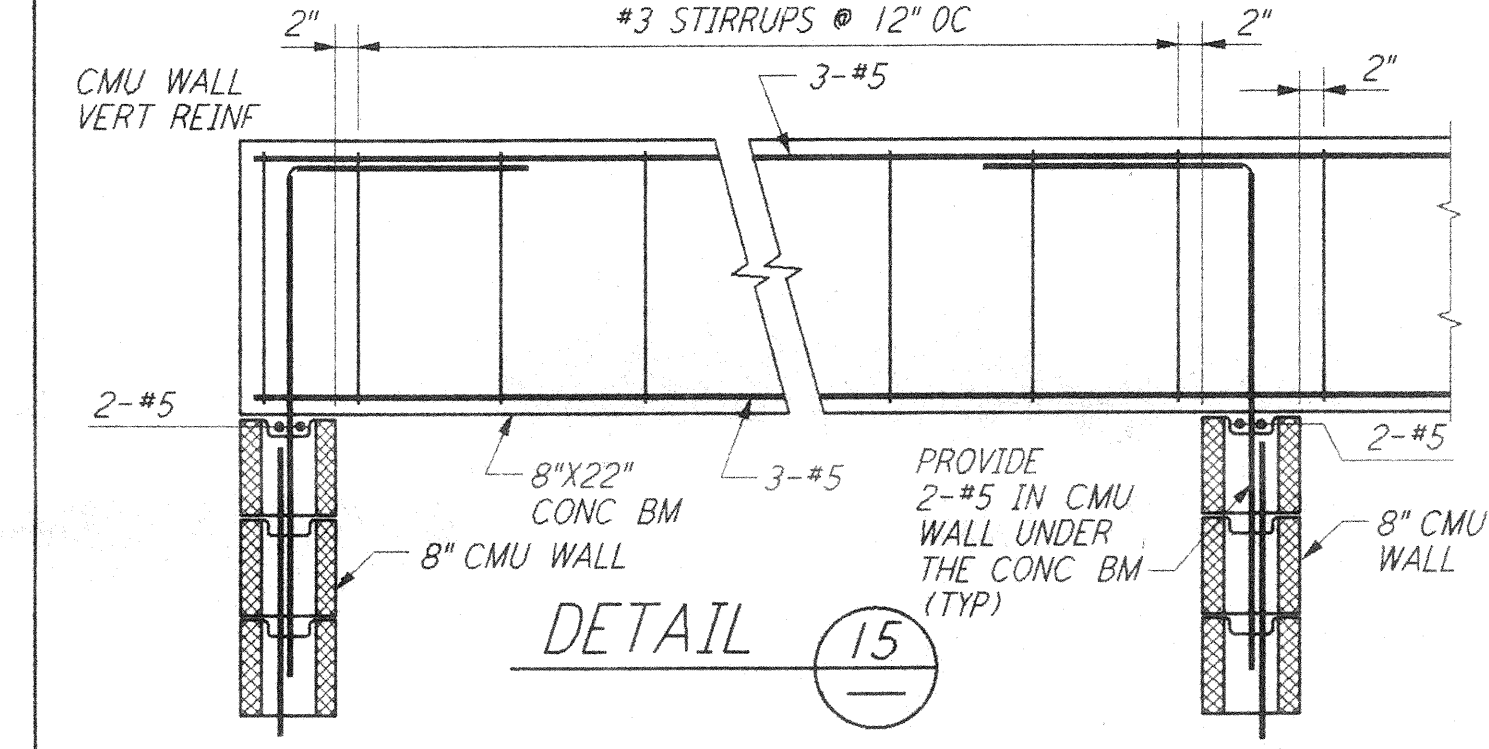
DIAGONAL REINFORCEMENT AT CIRCULAR OPENINGS (12)



REINFORCING DETAIL AT WALL OPNG (13)



MASONRY WALL DETAIL (14)

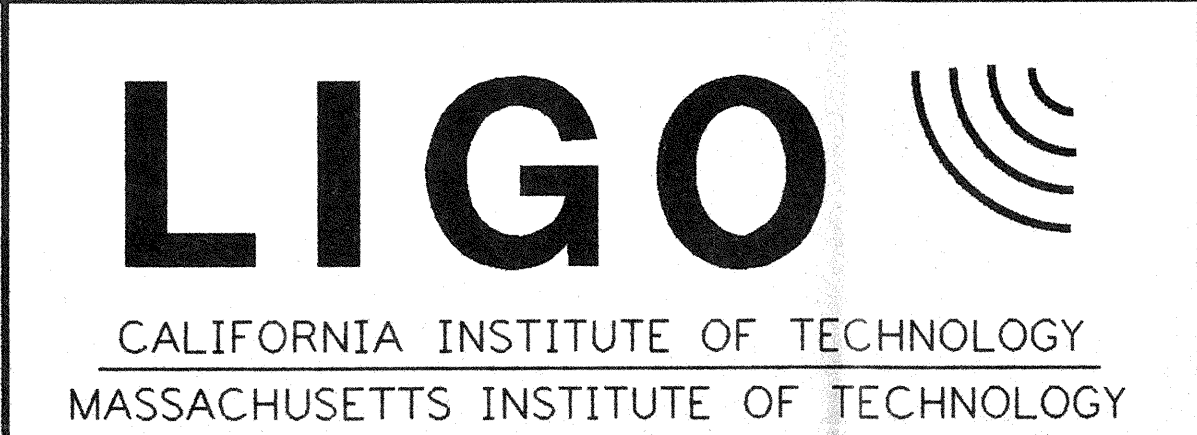
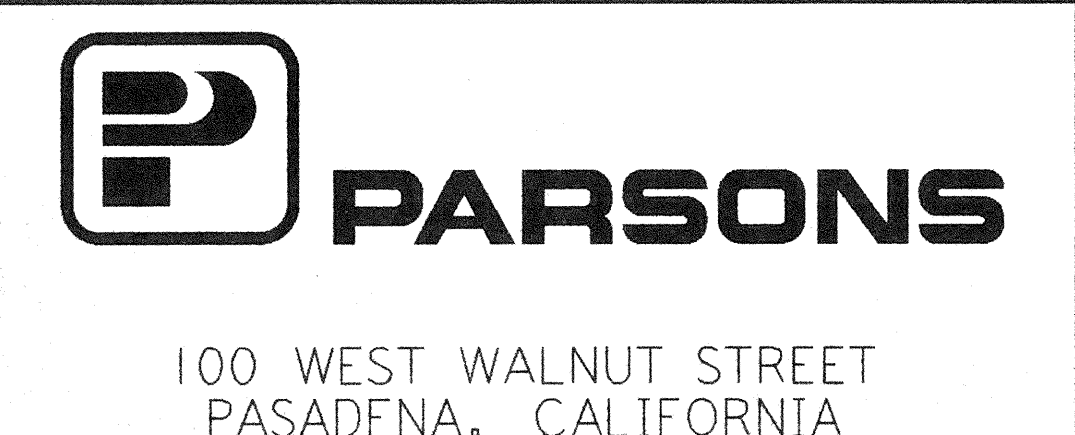
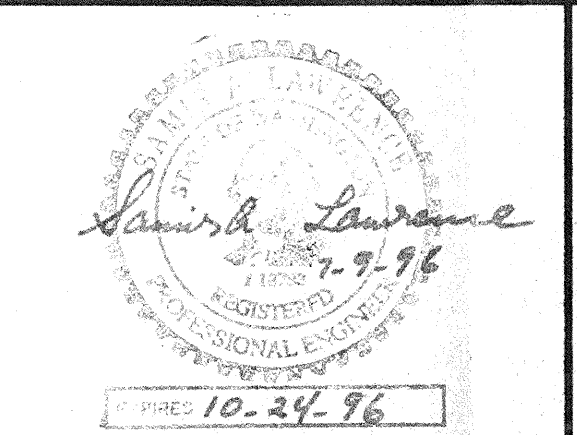


NOTES:
 1. FOR GENERAL NOTES, ABBREVIATIONS AND SYMBOLS, SEE DRAWING S-001.

DETAIL (15)

NO.	DATE	BY	CHKD	ENGR	PROJ	DESCRIPTION

ISSUED FOR CONSTRUCTION	DATE	BY
DRAWN	MCS	6-24-96
CHECKED		7-2-96
ENGINEER		6-28-96
PROJ		7-19-96



LASER INTERFEROMETER GRAVITATIONAL-WAVE OBSERVATORY SITE NO. 1 - HANFORD, WASHINGTON		
TITLE	CONTRACT NUMBER	PROJECT NUMBER
STRUCTURAL STANDARD CONCRETE DETAILS SHEET I	NONE	PP150969 8094