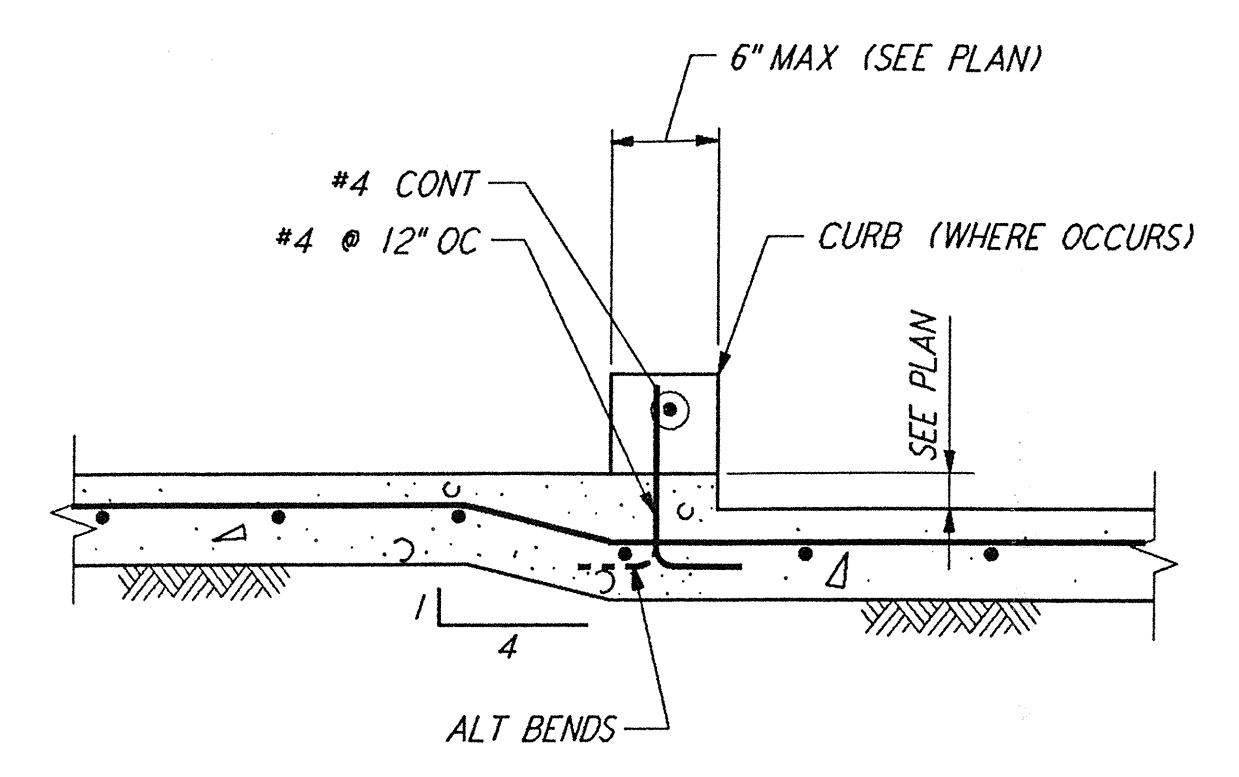


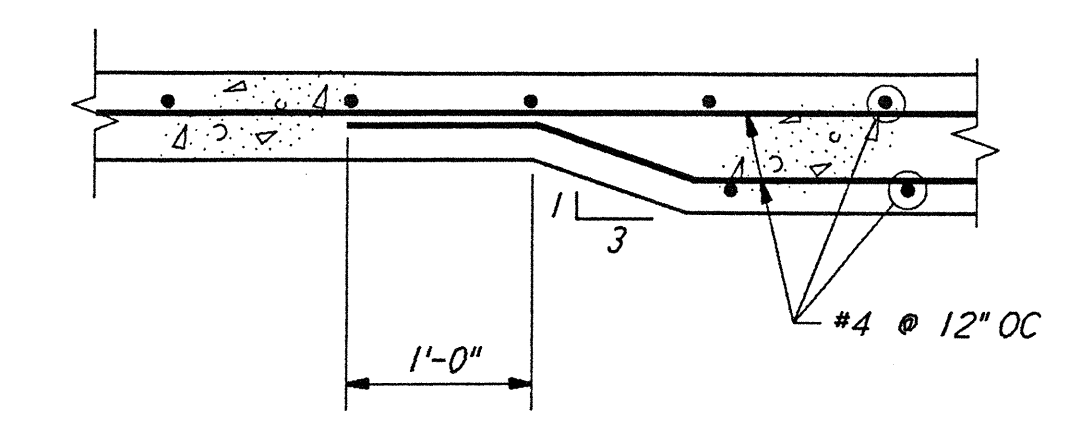
NOTE:
 INSTALL MOISTURE BARRIER WITH 2" SAND COVER ONLY WHEN SLAB IS INSIDE BUILDING

SLAB ON GRADE EDGE (1)



NOTES:
 1. SEE ARCH PLAN FOR EXTENT OF CURB.
 2. FOR ADDITIONAL INFORMATION SEE DETAIL (1)

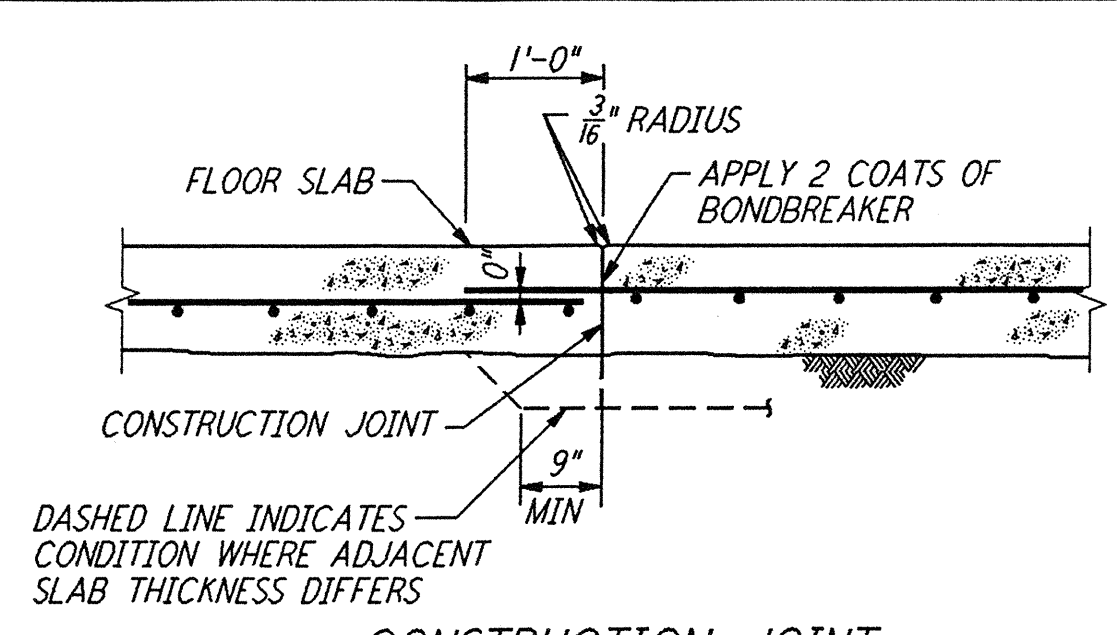
DEPRESSED SLAB (4)



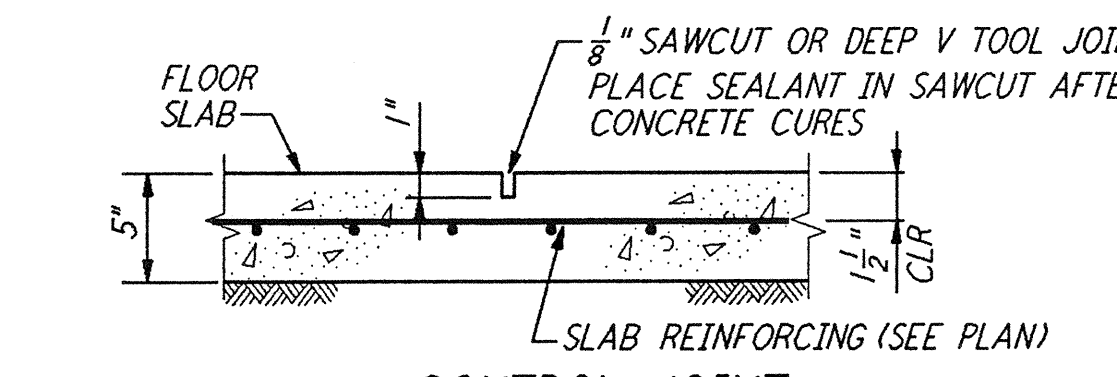
NOTE:
 1. FOR ADDITIONAL INFORMATION SEE DETAIL (1)

THICKENED SLAB (5)

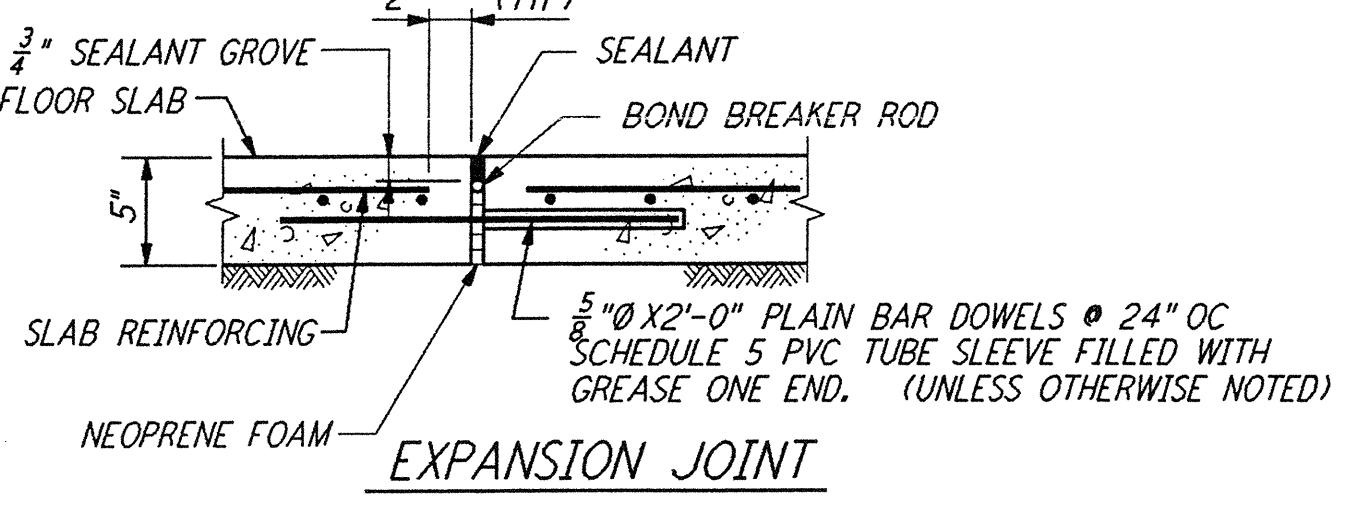
Date Received: 4/11/96	LGO: D960287-B-D
Contractor: WA-S-002 (661.8)	
Title: 28	LGO: 0960351-00-V
Date: 4/19/96	Approved:
TDM#:	LGO:
Date: / /	Approved:
Client/Transmittal:	LGO:
Date: / /	Approved:



CONSTRUCTION JOINT



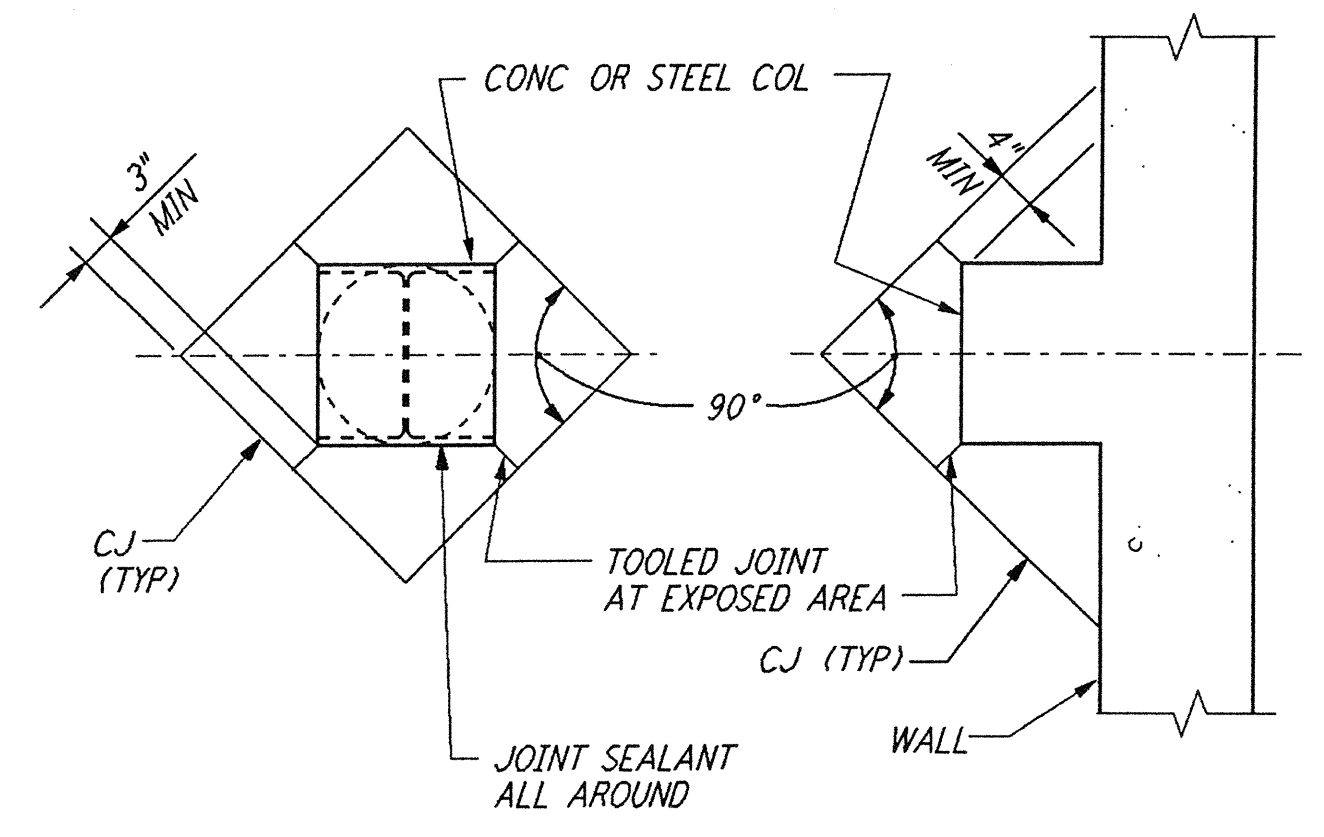
CONTROL JOINT



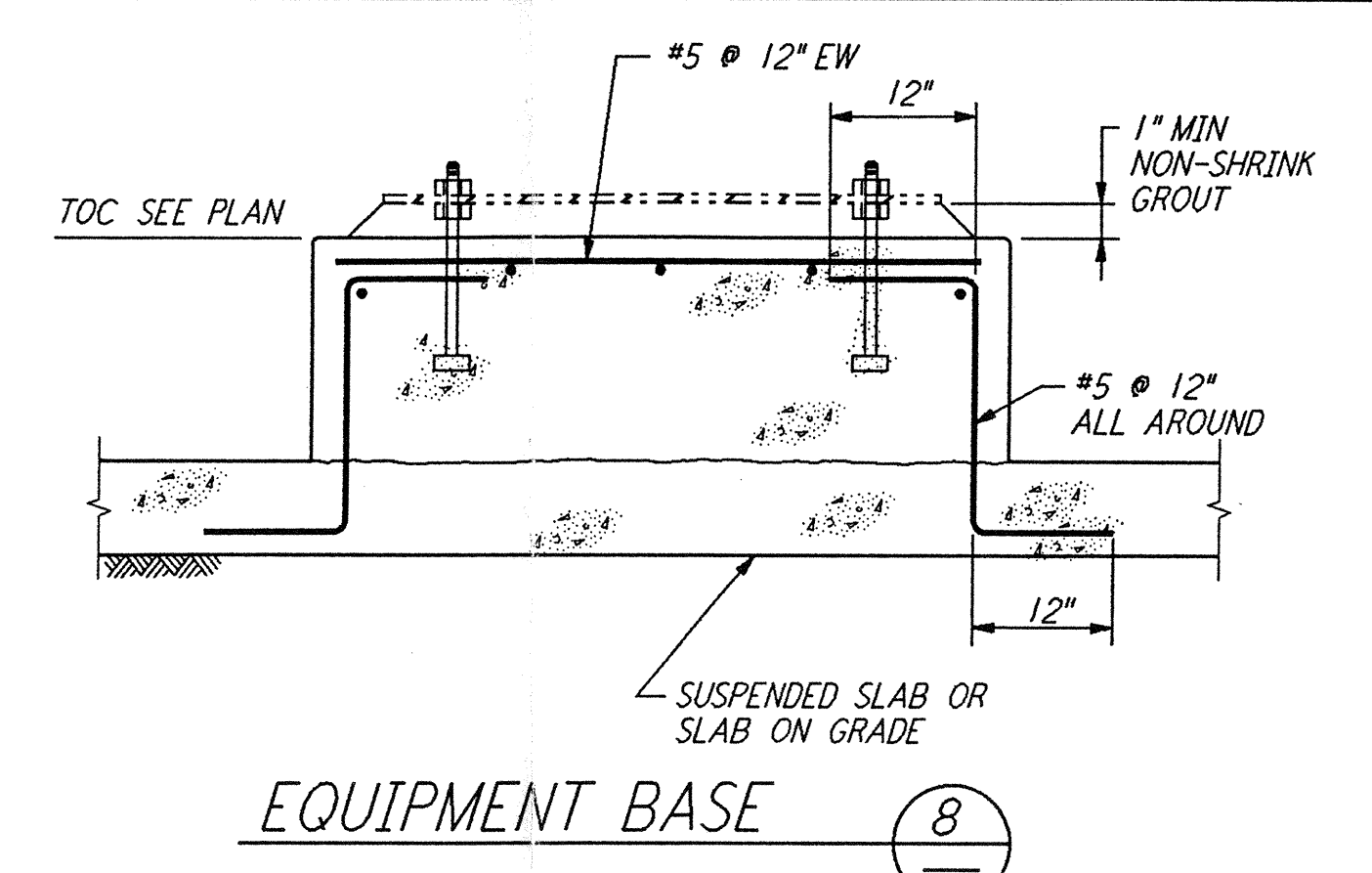
EXPANSION JOINT

NOTE:
 CONSTRUCTION JOINT DETAIL IS MANDATORY FOR POUR JOINTS. AT OWNERS OPTION SLAB MAY BE POURED CONTINUOUS & CONTROL JOINTS MAY BE USED EVERYWHERE ELSE. CONSTRUCTION JOINT TO BE USED IN ONE DIRECTION AND CONTROL JOINTS IN THE OTHER DIRECTION - LIMIT OF POUR 400 SQ FT.

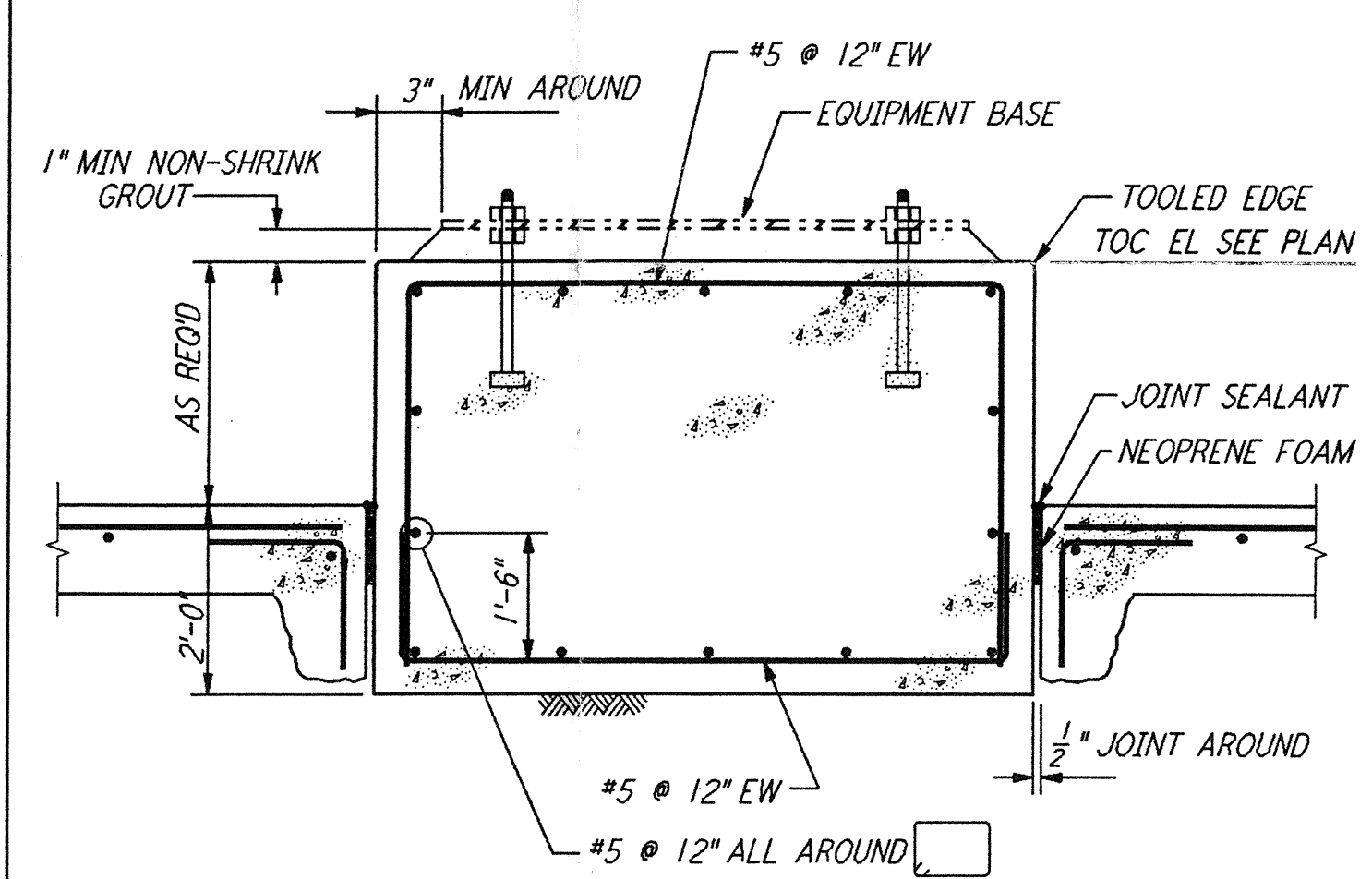
SLAB ON GRADE JOINTS (6)



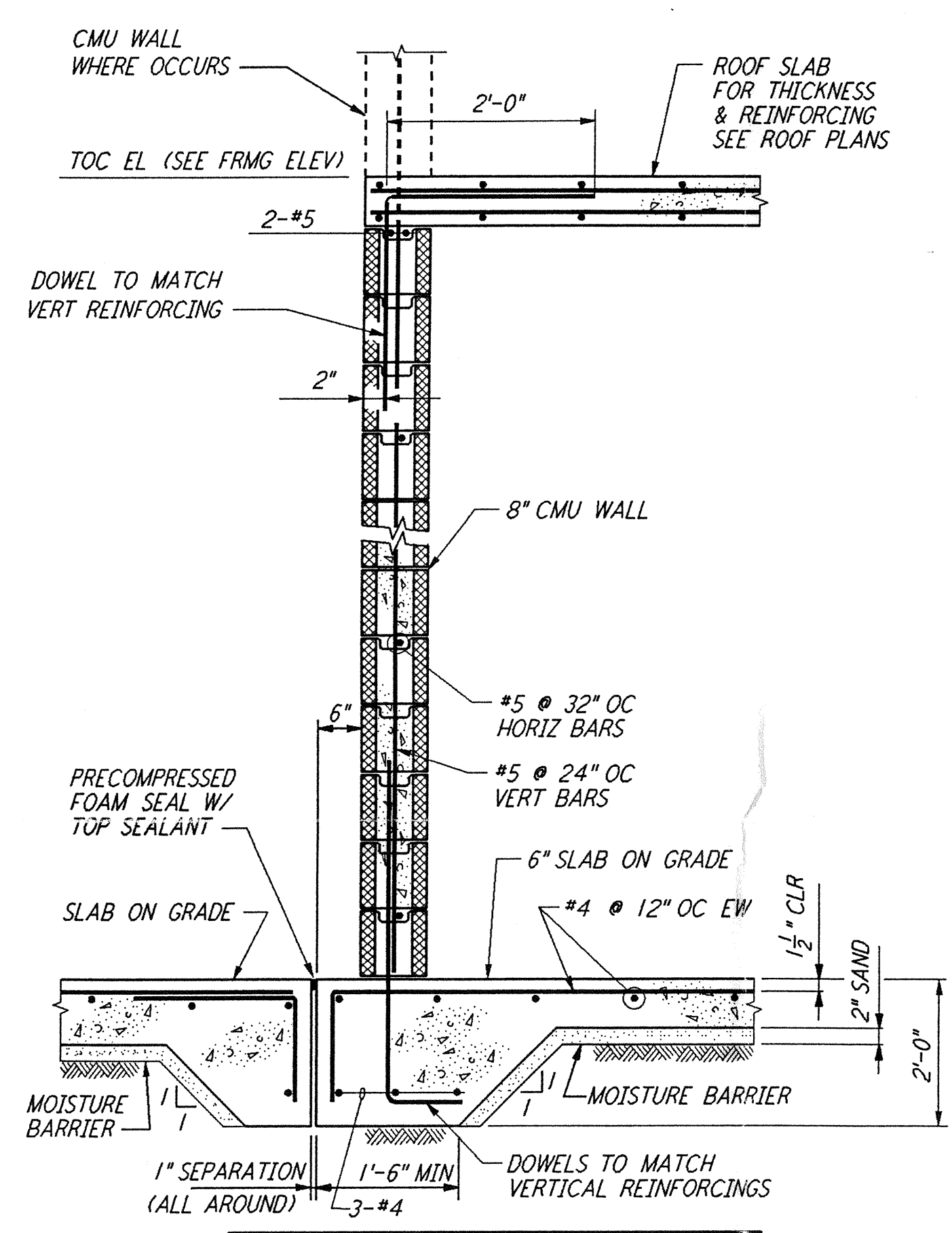
CONSTRUCTION JOINTS AT COL (7)



EQUIPMENT BASE (8)

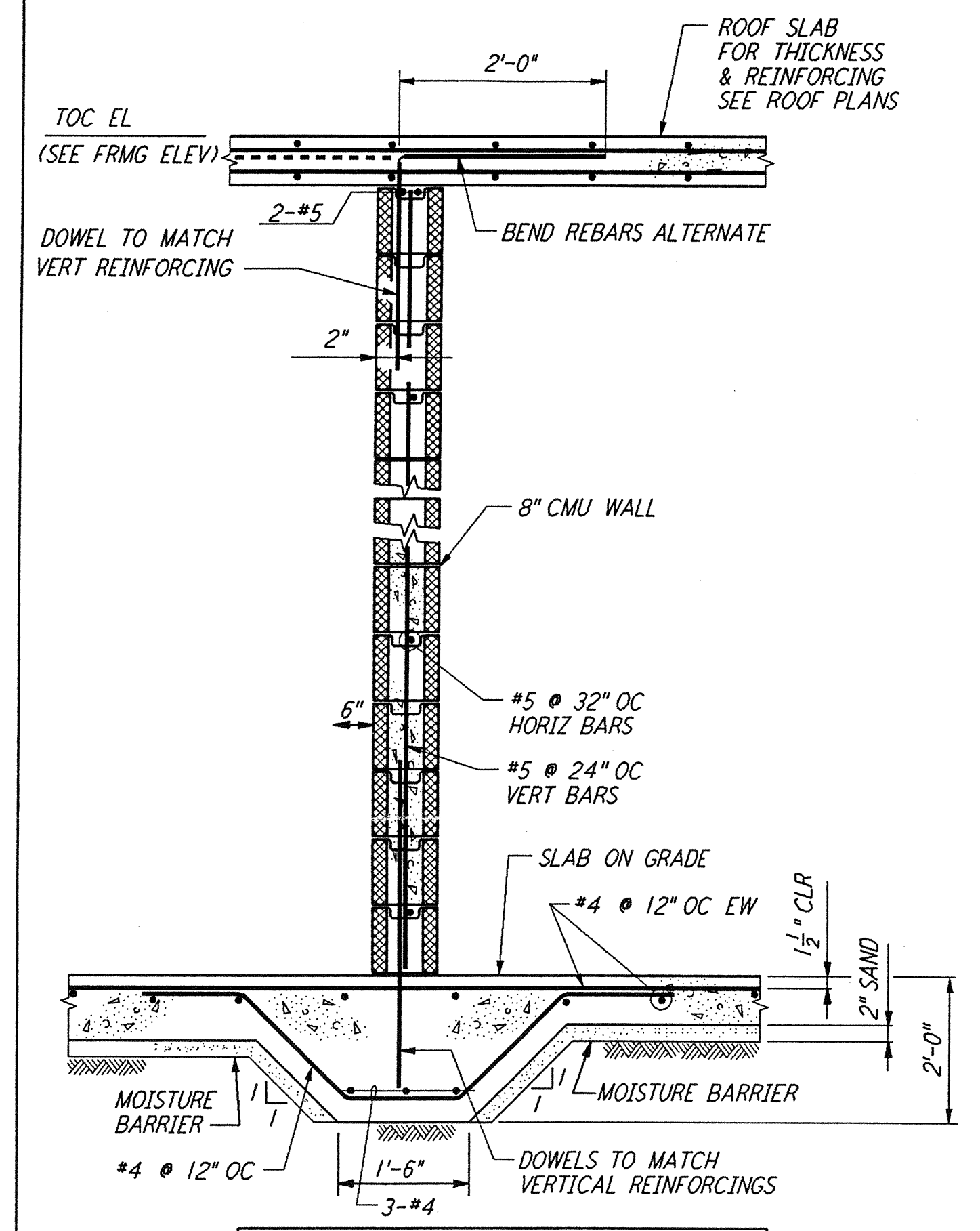


EQUIPMENT BASE WITH SEPARATING JOINT (9)



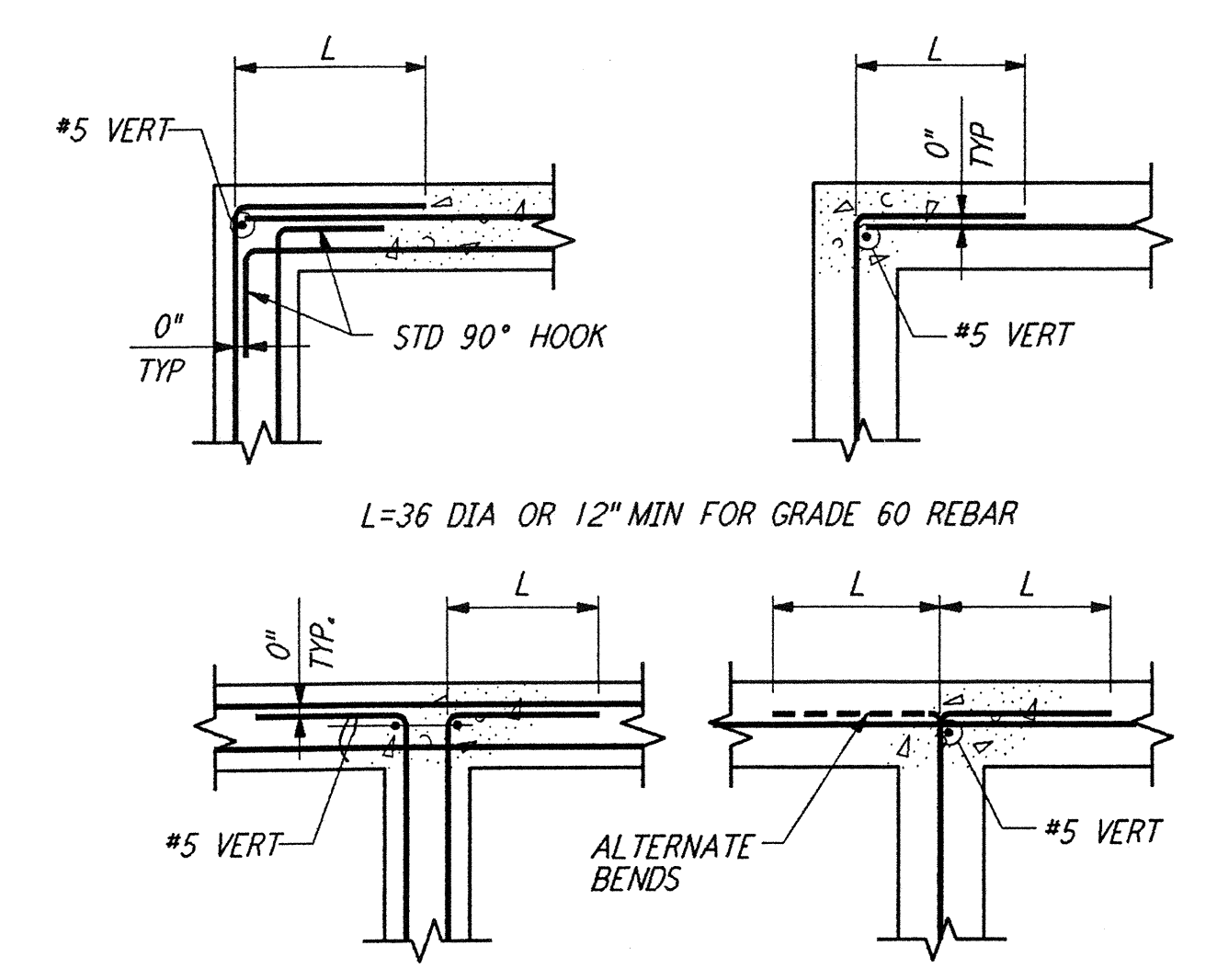
NOTE:
 INSTALL MOISTURE BARRIER WITH 2" SAND COVER ONLY WHEN SLAB IS INSIDE BUILDING

MASONRY WALL DETAIL (10)

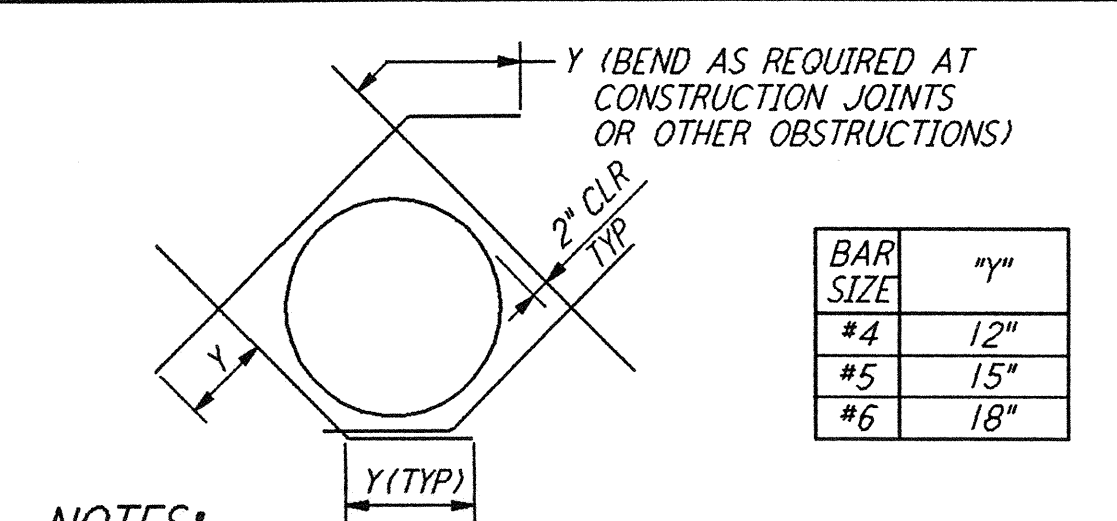


NOTE:
 INSTALL MOISTURE BARRIER WITH 2" SAND COVER ONLY WHEN SLAB IS INSIDE BUILDING

MASONRY WALL DETAIL (16)

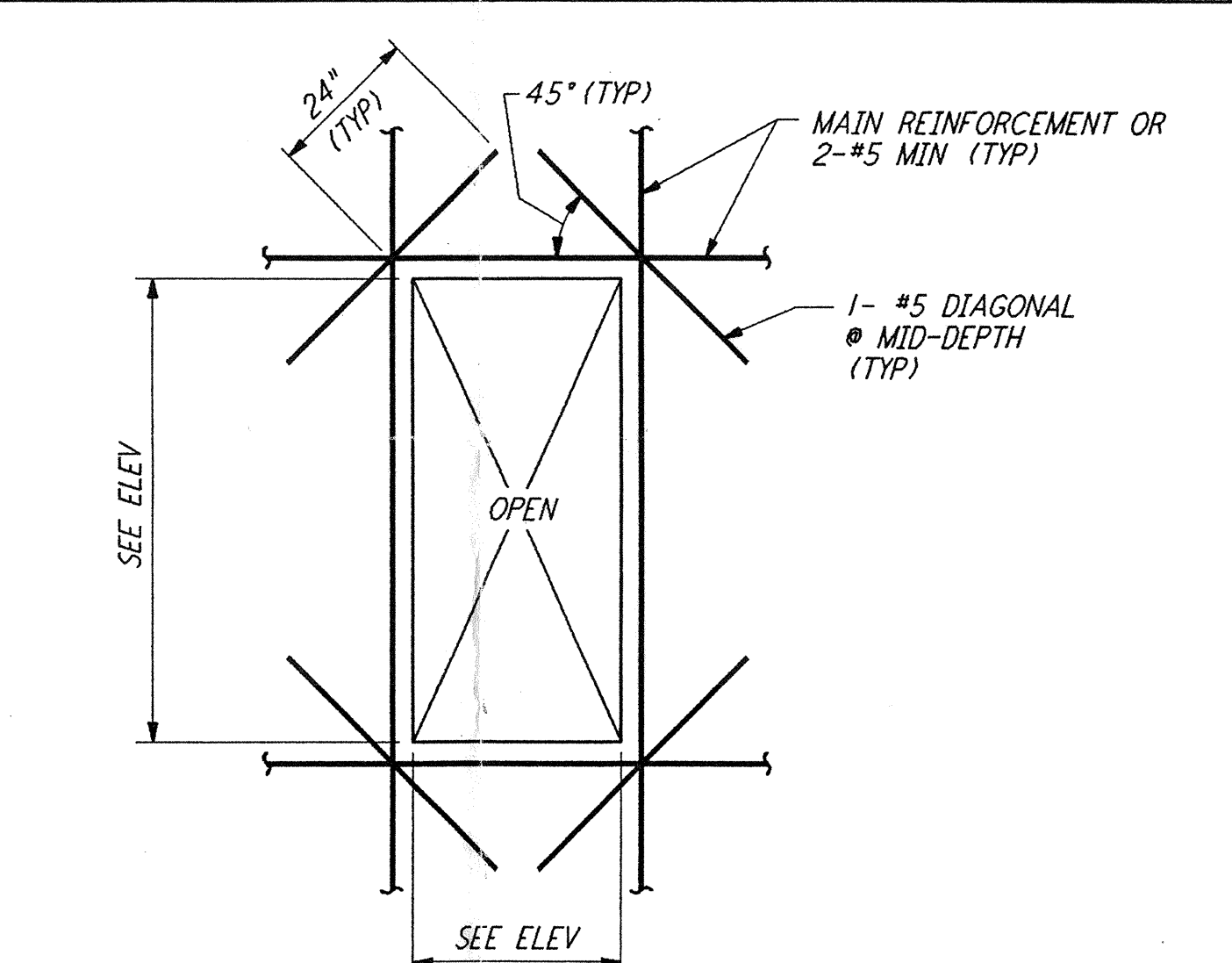


HORIZONTAL WALL REINFORCEMENT (11)

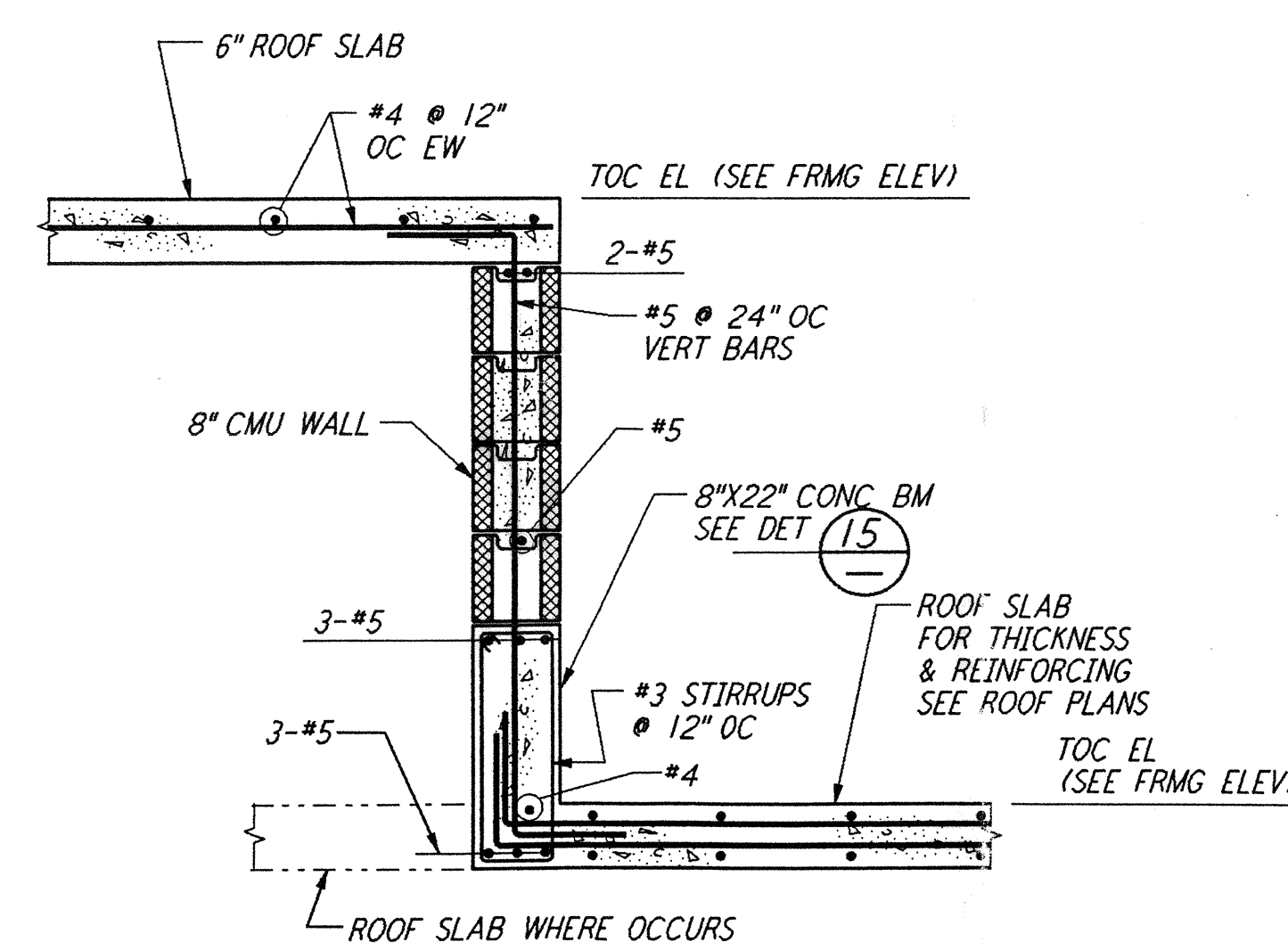


NOTES:
 1. CUT NORMAL REINFORCEMENT AT OPENING.
 2. DIAGONAL BARS TO BE PLACED:
 A. AT 1/2" OF WALL OR SLAB WHERE ONE LAYER OF REINFORCEMENT IS PROVIDED.
 B. AT EACH FACE OF WALL OR SLAB WHERE TWO LAYERS OF REINFORCEMENT ARE PROVIDED.
 3. UNLESS OTHERWISE NOTED, SIZE OF DIAGONAL BARS SHALL BE THE SIZE OF THE LARGEST NORMAL REINFORCING BAR CUT.
 4. THIS DETAIL TO BE USED ONLY WHEN CALLED FOR ON THE DRAWINGS OR WHEN NO OTHER DETAIL IS SPECIFIED.
 5. THIS DETAIL SHALL APPLY TO OPENINGS 6" IN DIAMETER AND LARGER.

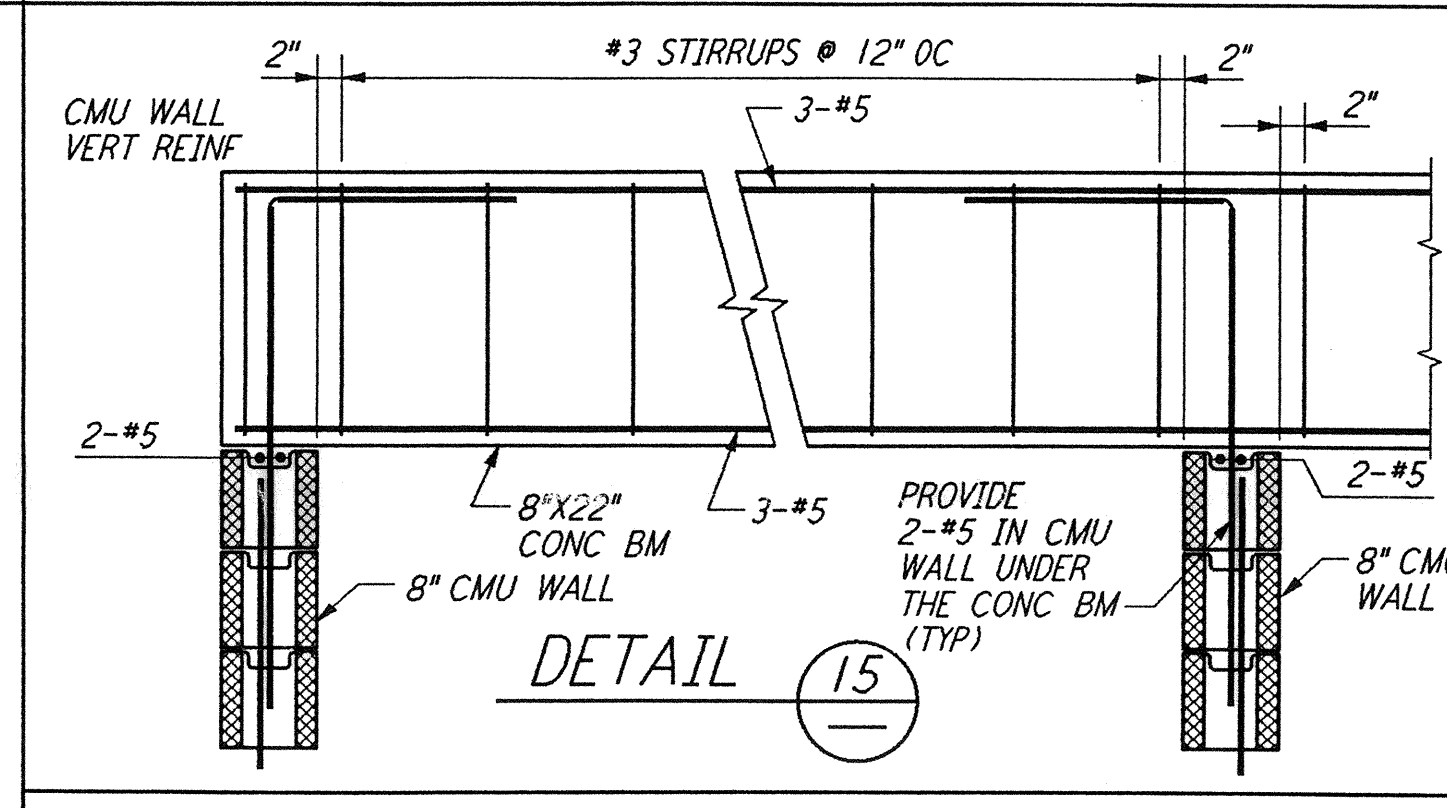
DIAGONAL REINFORCEMENT AT CIRCULAR OPENINGS (12)



REINFORCING DETAIL AT WALL OPNG (13)



MASONRY WALL DETAIL (14)



NOTES:
 1. FOR GENERAL NOTES, ABBREVIATIONS AND SYMBOLS, SEE DRAWING S-001.

LASER INTERFEROMETER
 GRAVITATIONAL-WAVE OBSERVATORY
 SITE NO. 1 - HANFORD, WASHINGTON

REFERENCES	NO.	DATE	BY	CHKD	ENGR	PROJ	DESCRIPTION
	B	4-19-96	MCS	bor			FINAL DESIGN REVIEW & BID
	A	10-31-95					PRELIMINARY DESIGN REVIEW

DRAWN	MCS
CHECKED	
ENGINEER	
PROJ	

PARSONS
 100 WEST WALNUT STREET
 PASADENA, CALIFORNIA

LIGO
 CALIFORNIA INSTITUTE OF TECHNOLOGY
 MASSACHUSETTS INSTITUTE OF TECHNOLOGY

TITLE	SCALE	CONTRACT NUMBER	PROJECT NUMBER
STRUCTURAL STANDARD CONCRETE DETAILS SHEET I	PP150969	8094	
SHEET NUMBER	WA-S-002	REVISIONS	

This document and the design it covers are the property of PARSONS. They are loaned only with the borrower's expressed written agreement that they will not be reproduced, copied, loaned, exhibited, or used in any other way, except by written consent from PARSONS to the borrower.