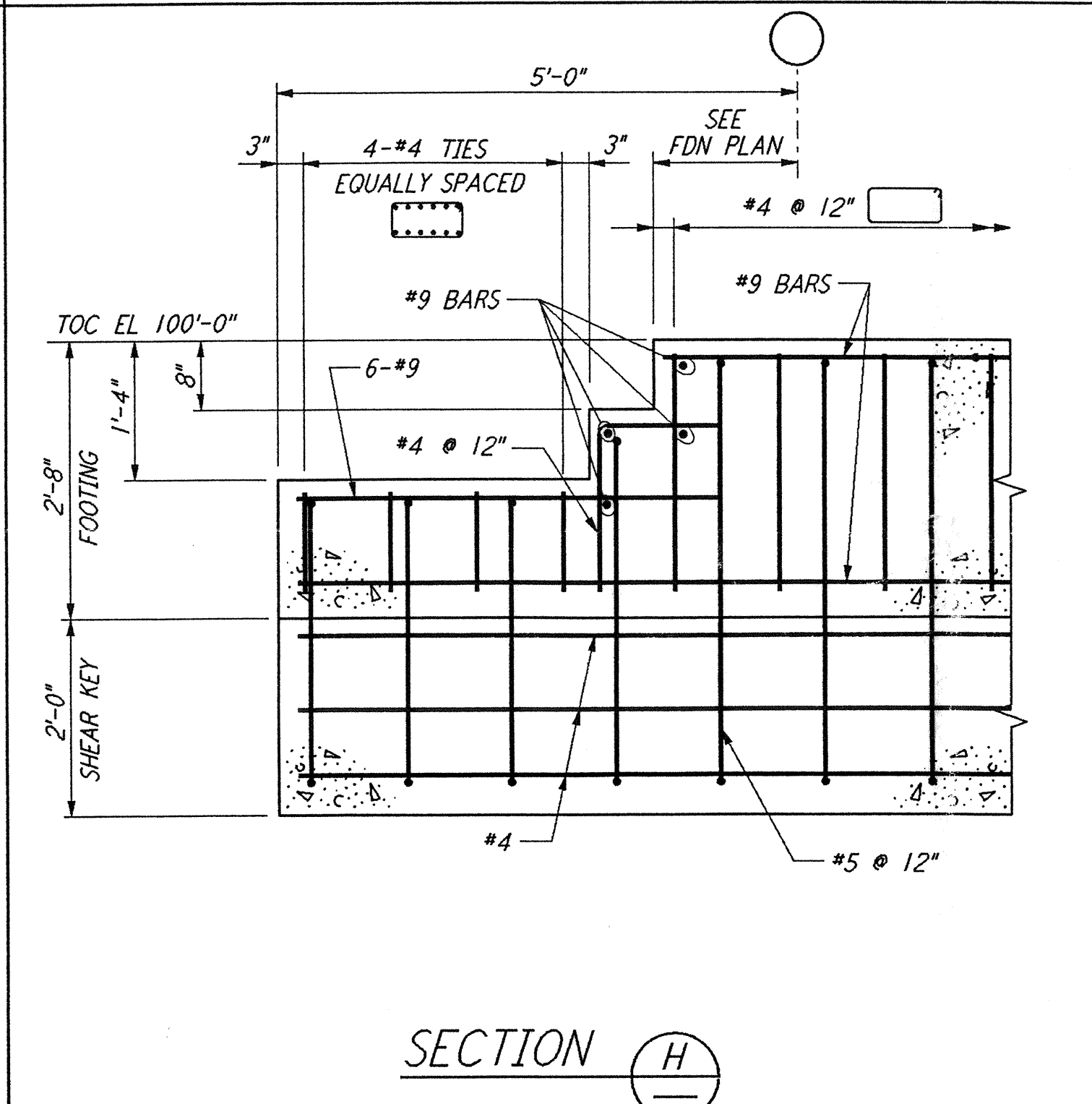
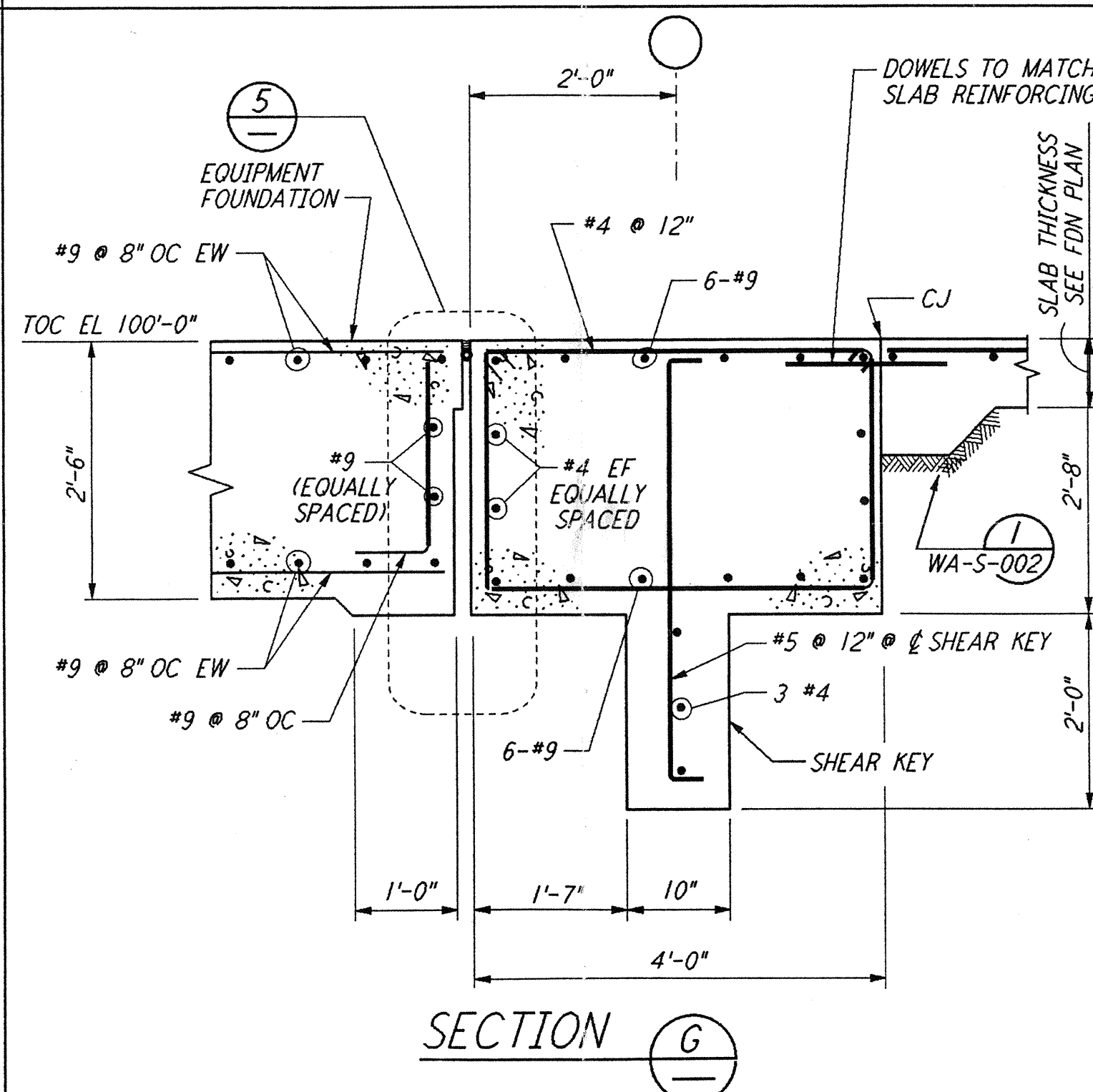
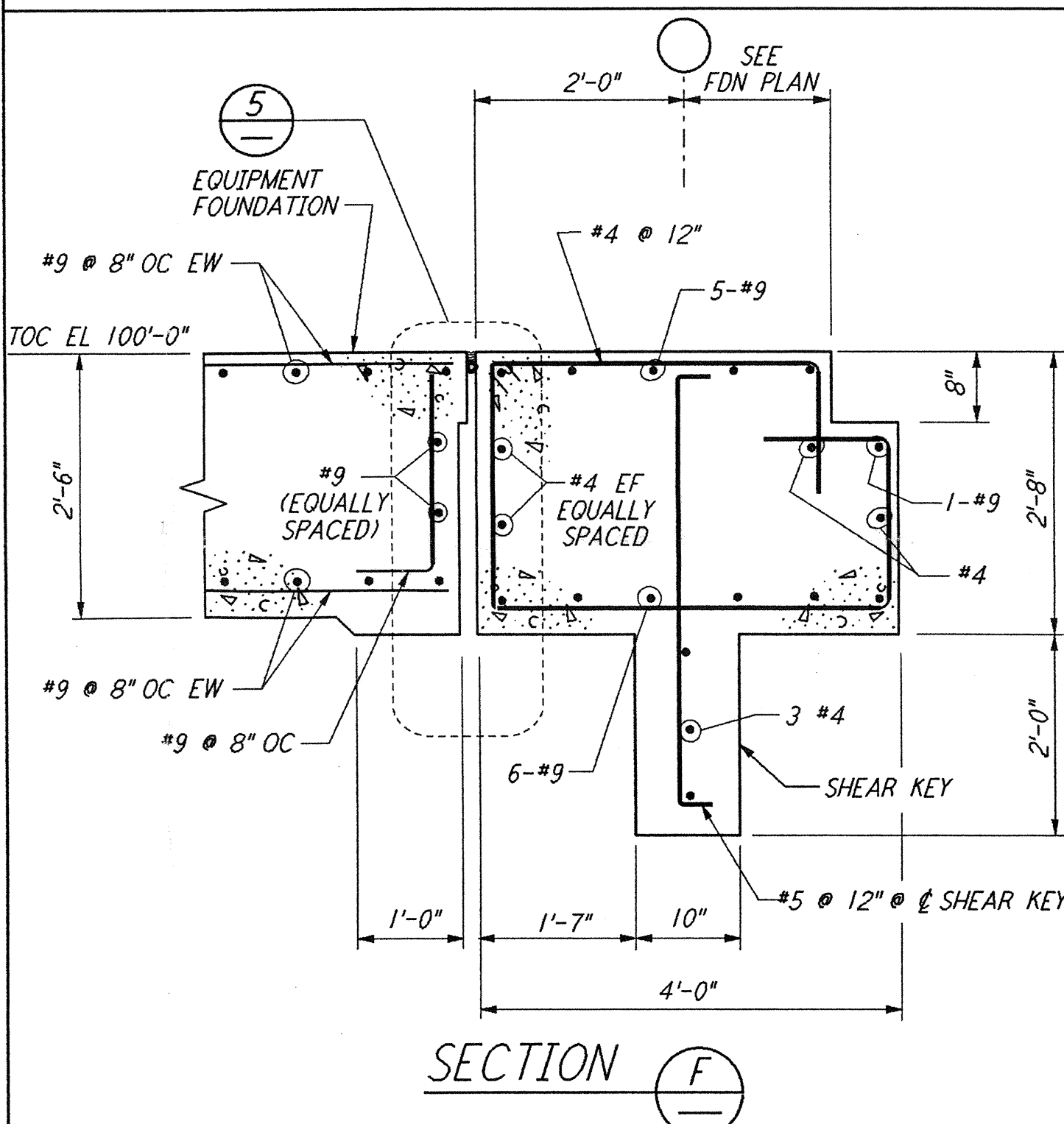
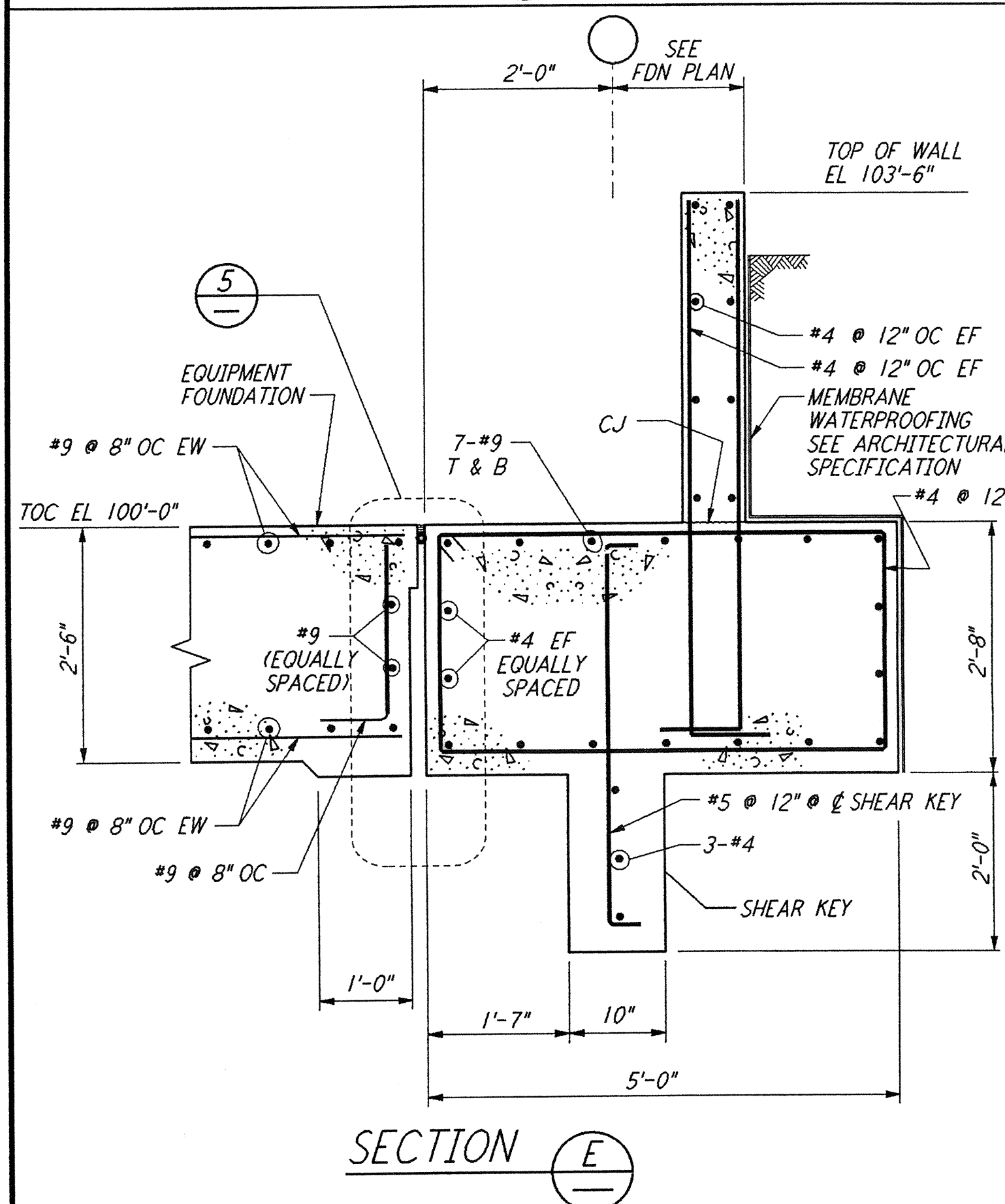
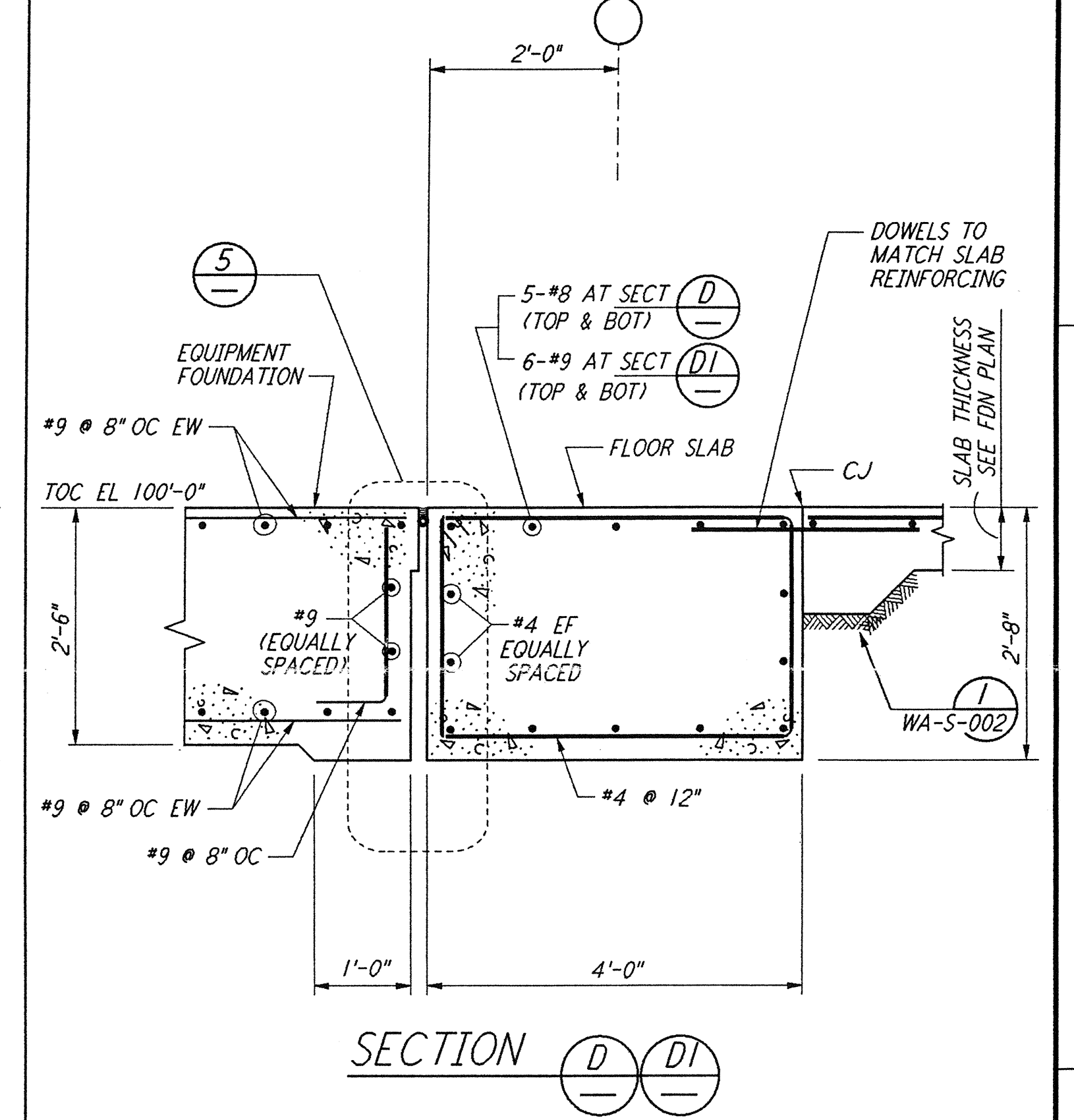
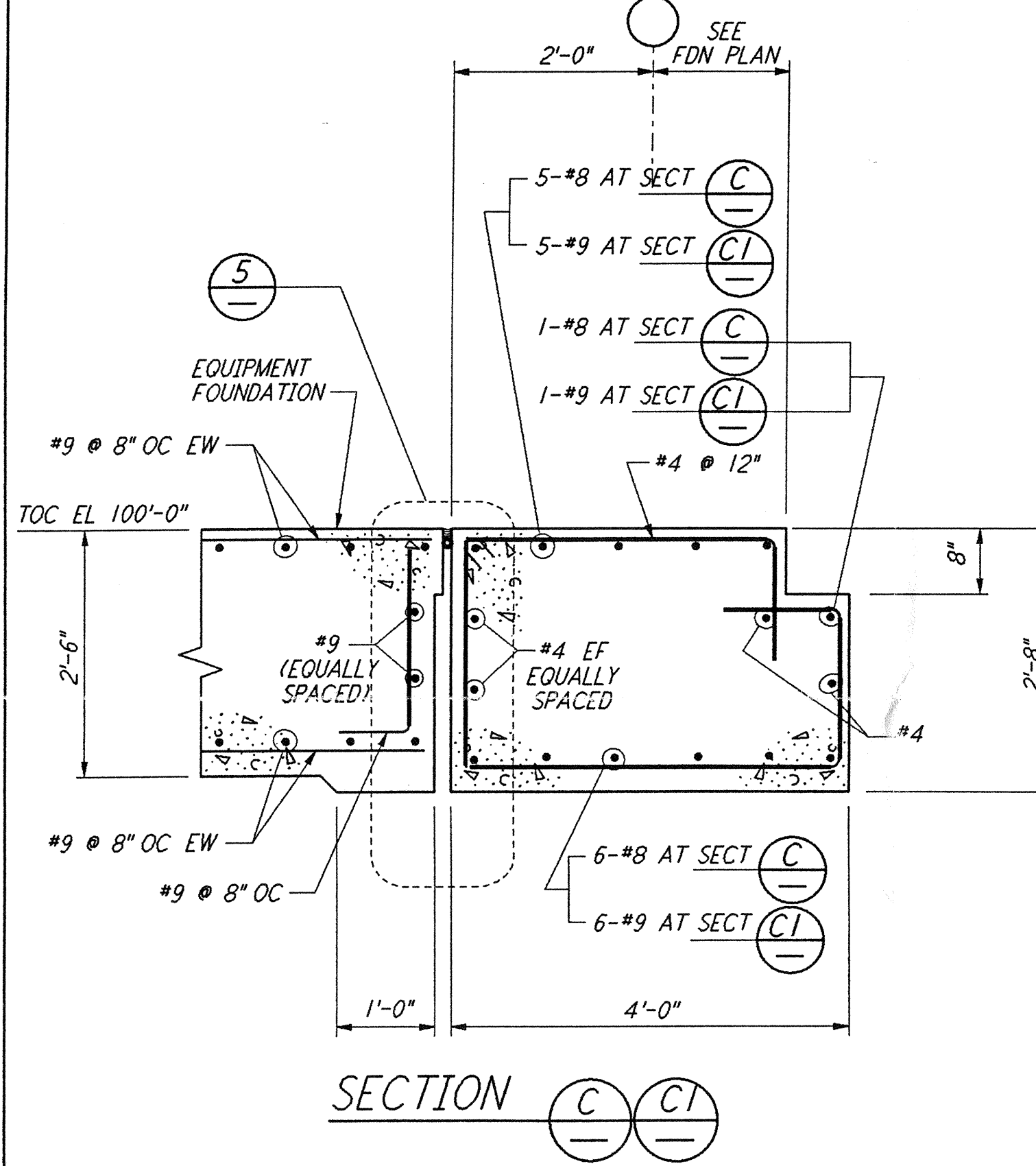
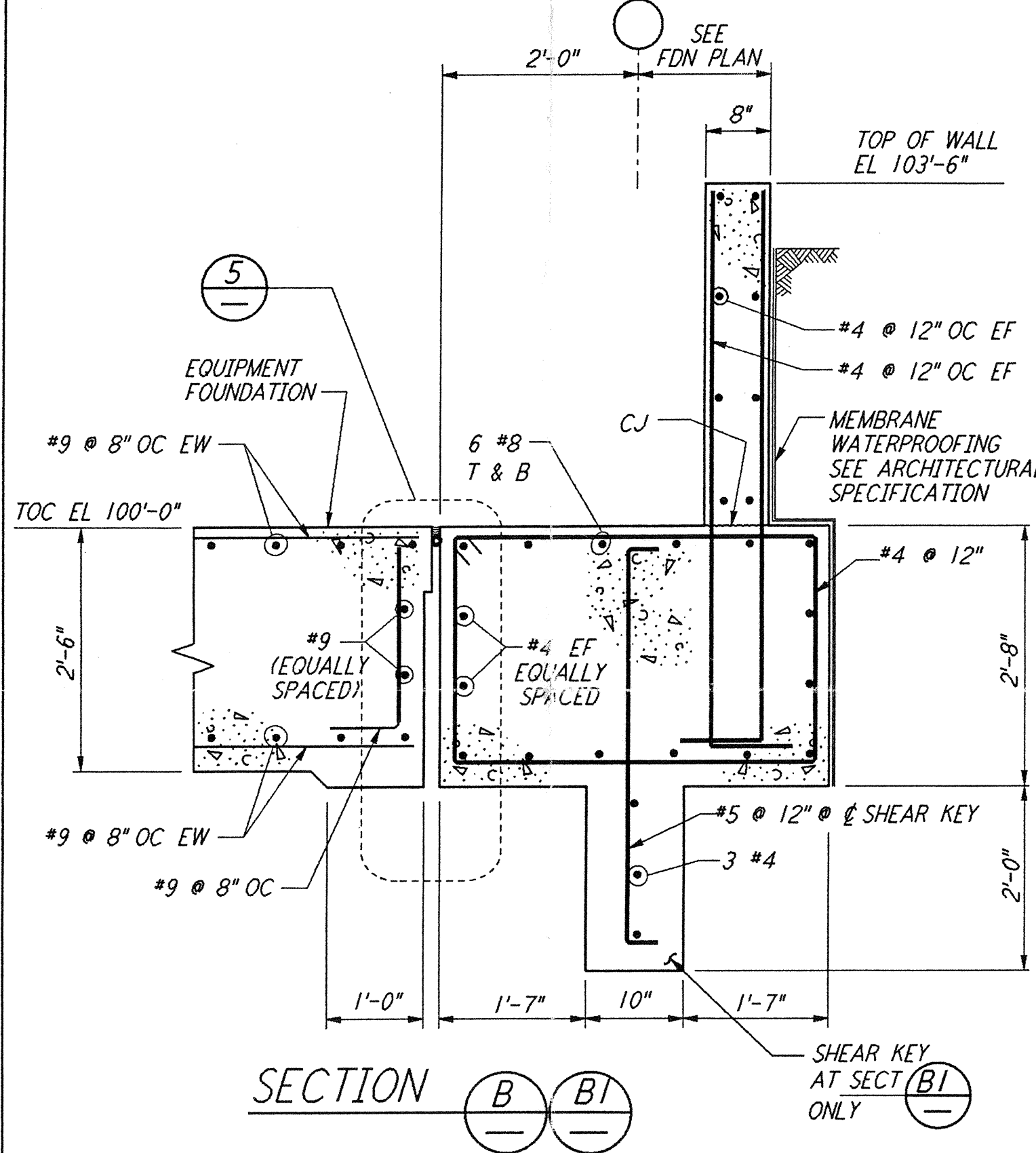
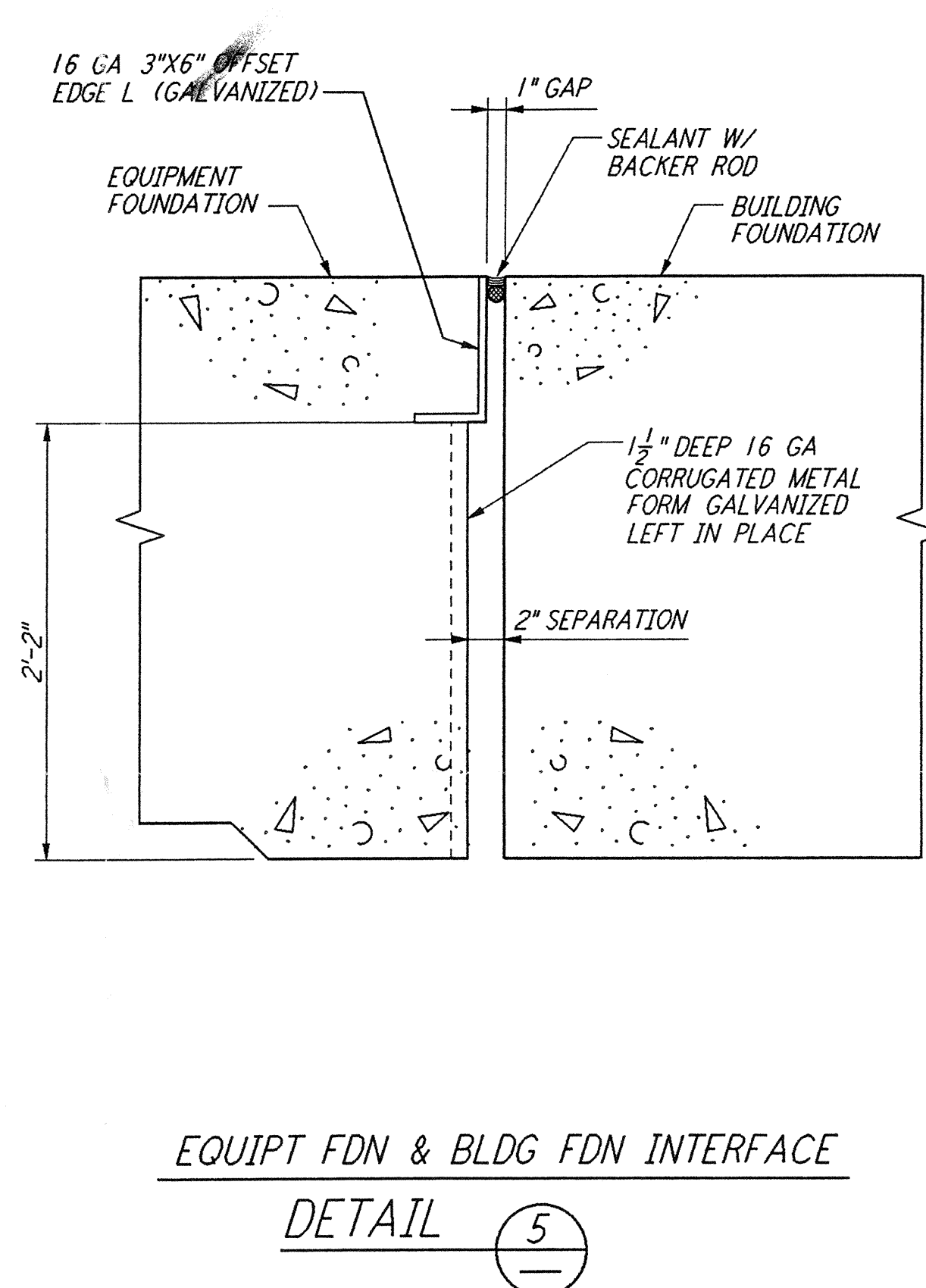
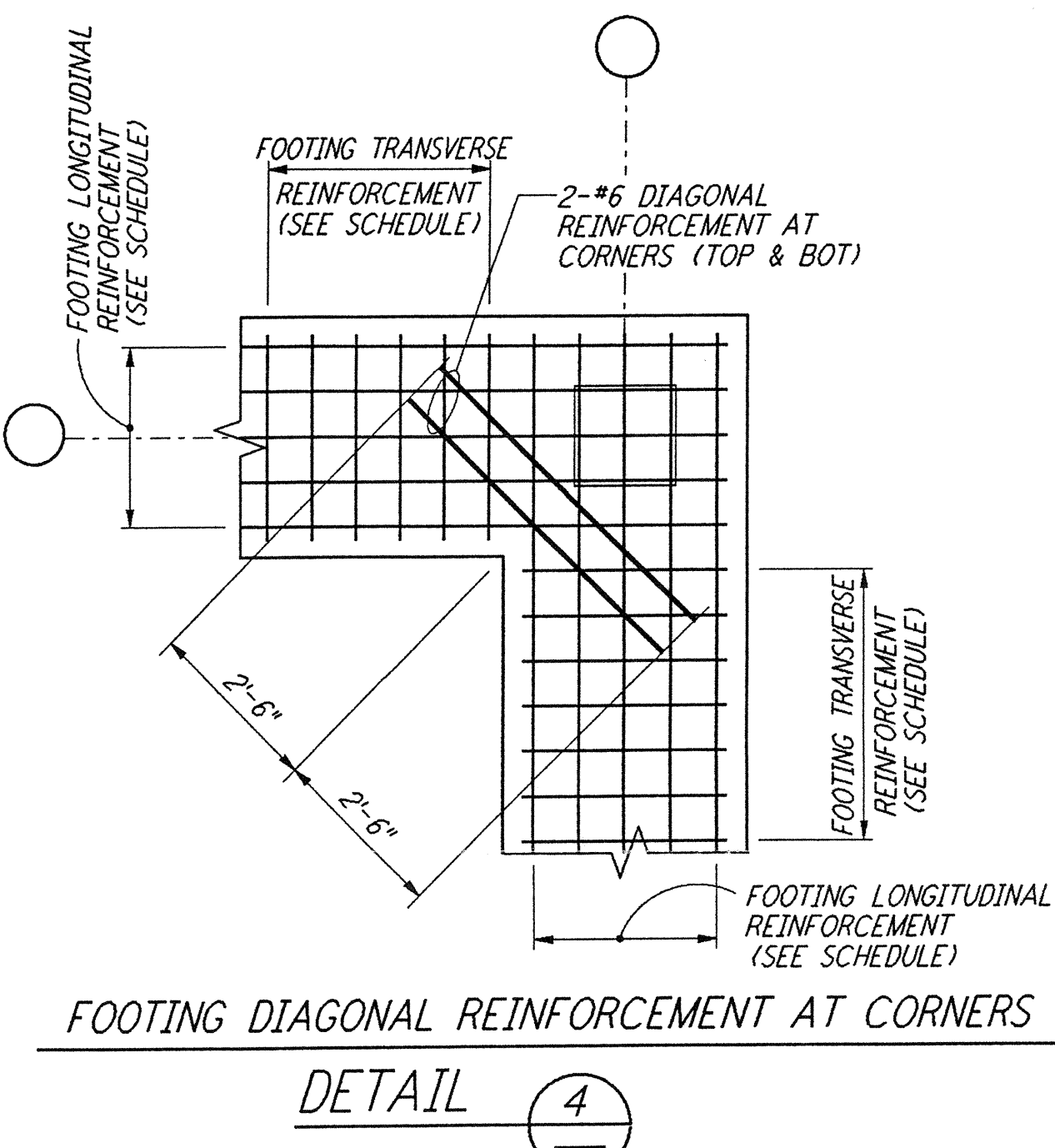
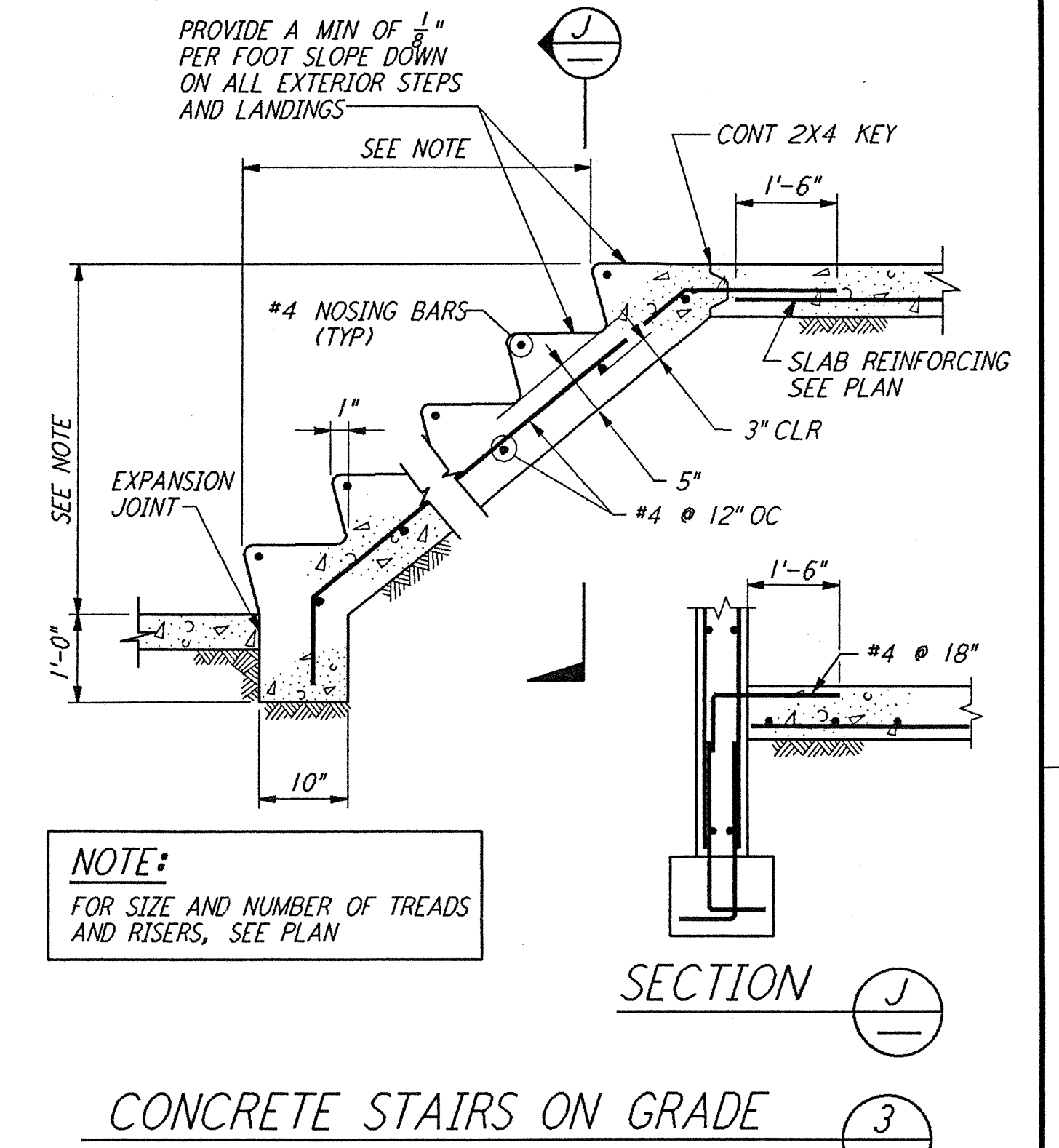
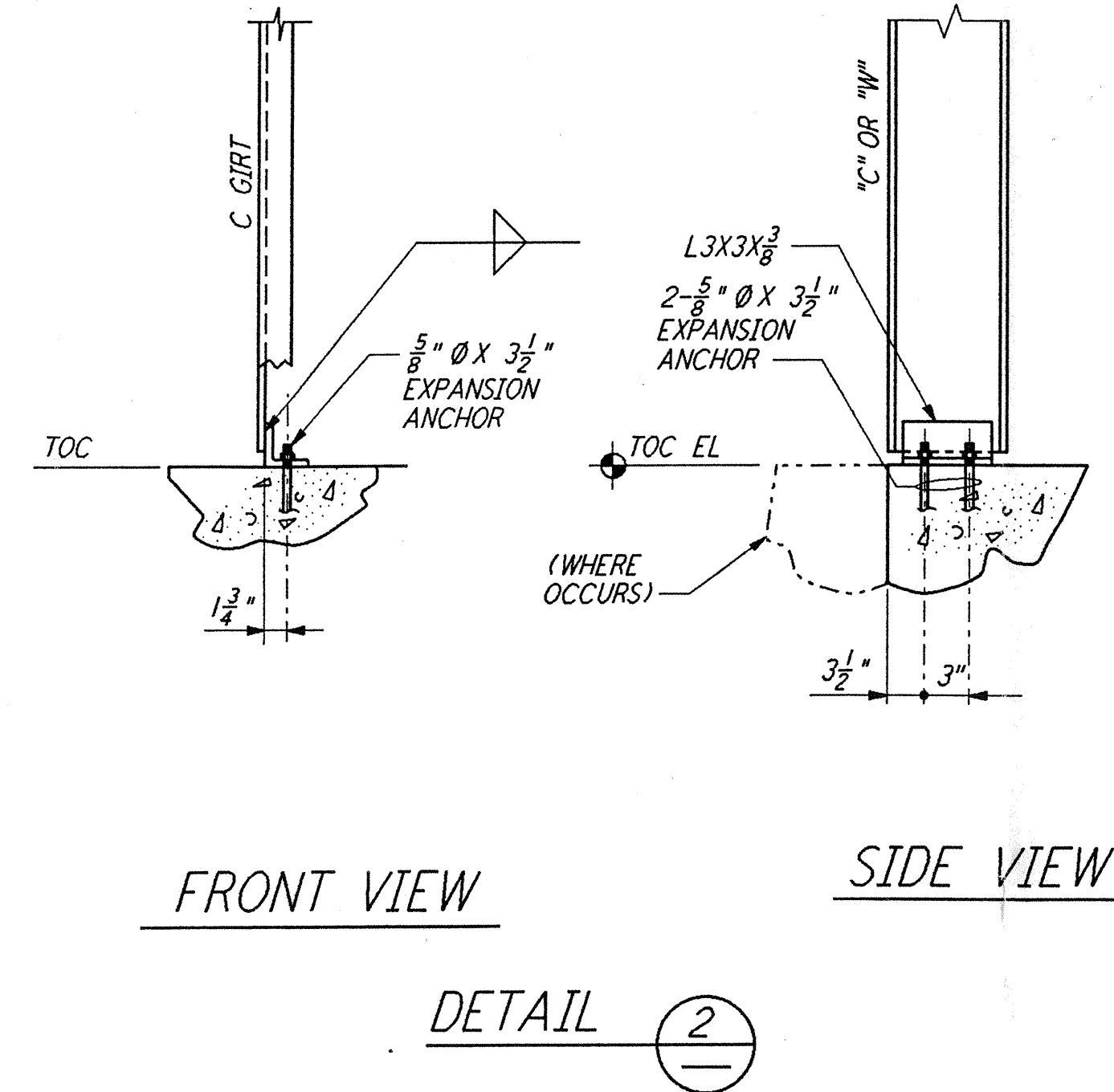
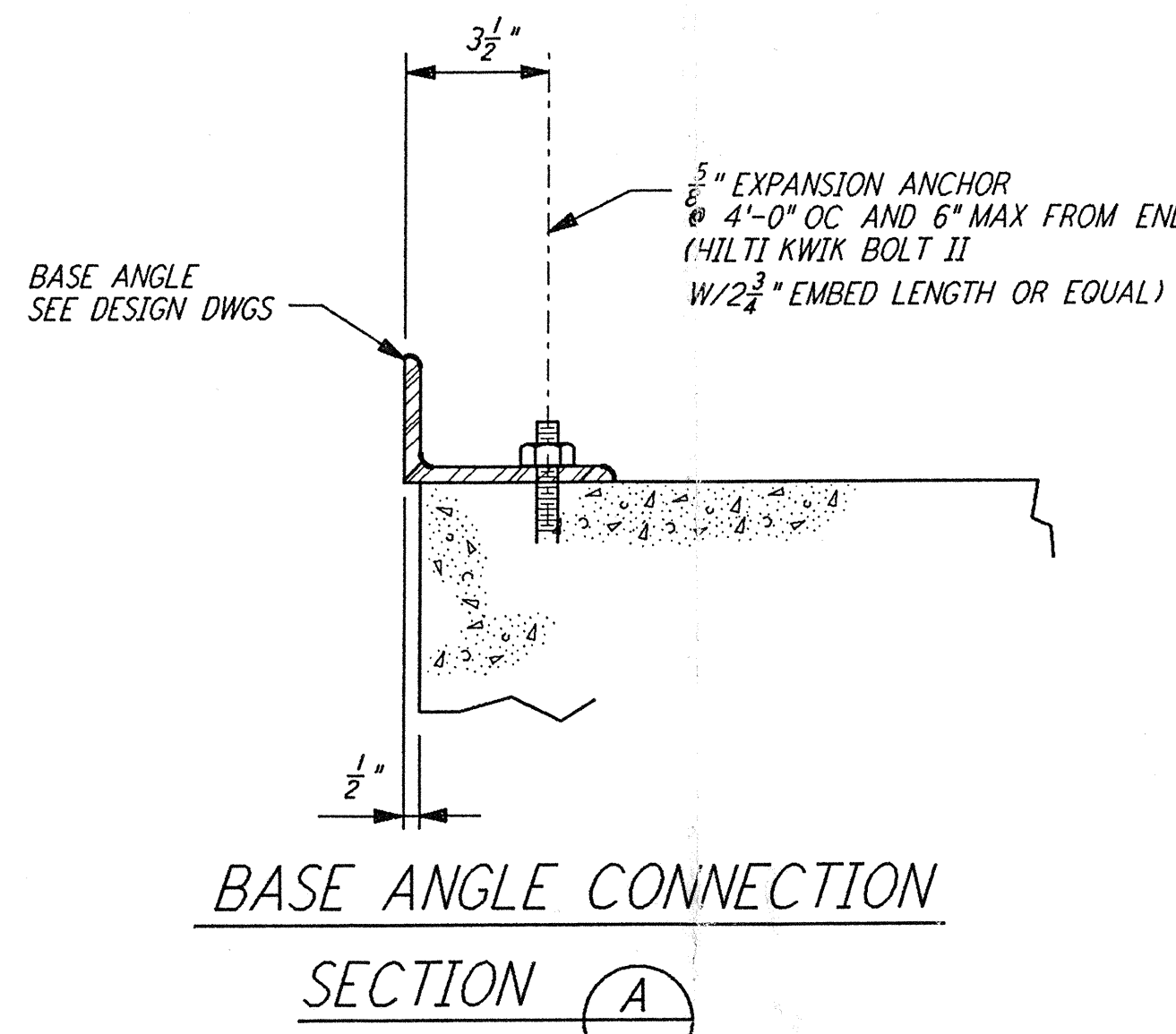
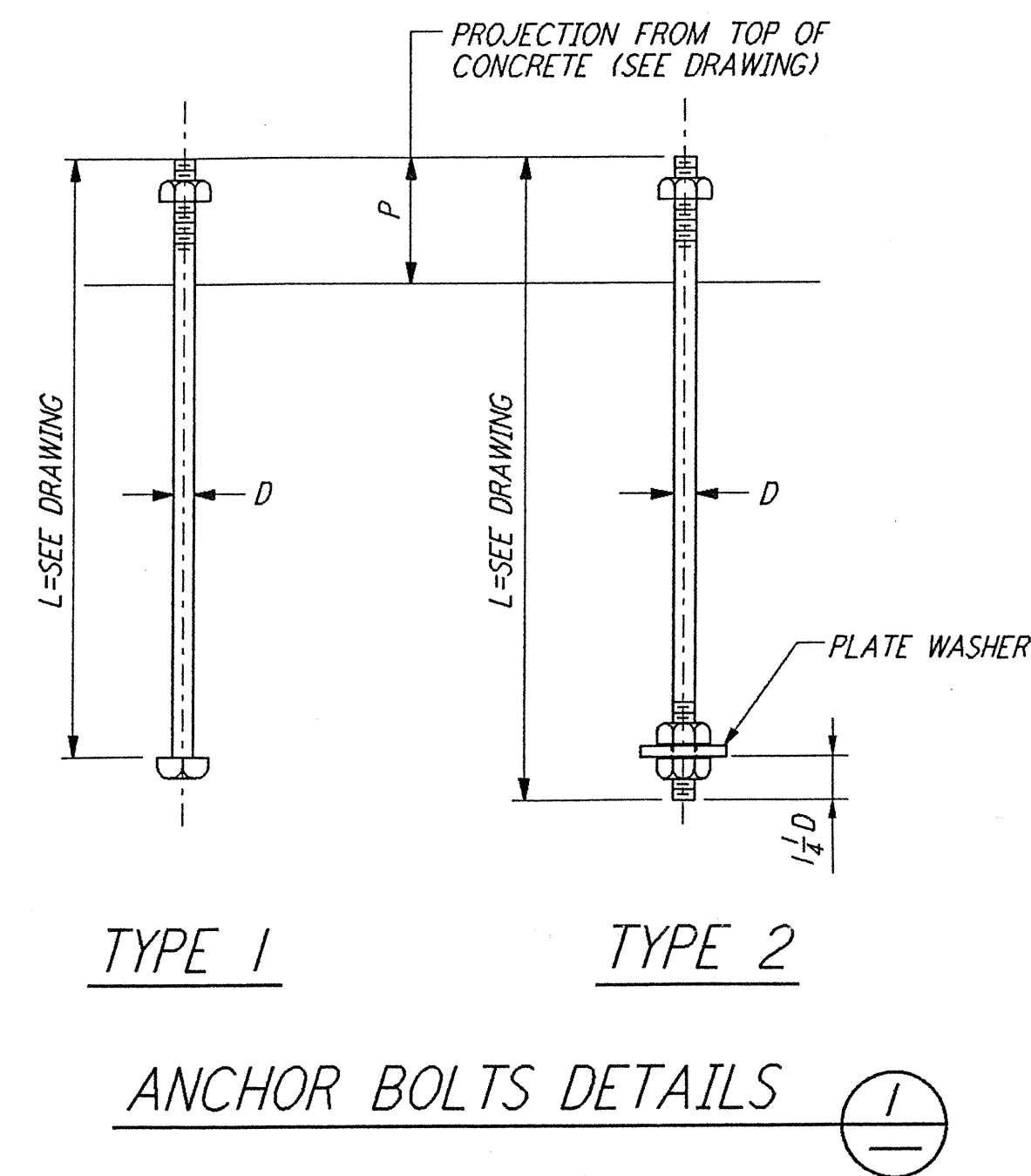


**NOTES:**

1. BOLT MATERIAL SHALL BE IN ACCORDANCE WITH ASTM A307, UNLESS OTHERWISE SPECIFIED.
2. USE UNIFIED NATIONAL COARSE THREAD, CLASS 2 FIT.
3. USE HEAVY DOUBLE CHAMFER HEX NUTS UP TO 1", AND HEAVY FLAT FACE HEX NUTS LARGER THAN 1".
4. PROVIDE 1 HEX NUT FOR EACH BOLT, UNLESS OTHERWISE NOTED ON DESIGN DRAWINGS.
5. PLATE WASHER MATERIAL SHALL BE ASTM A36, UNLESS OTHERWISE NOTED.
6. FABRICATOR SHALL BUNDLE AND TAG BOLTS BY INDIVIDUAL FOUNDATIONS OR MEMBERS. TAGS SHALL BE WEATHER RESISTANT, WITH MARKS AT LEAST 2" HIGH, AND FIRMLY WIRED TO BUNDLES.
7. SLEEVES SHALL NOT BE USED UNLESS SPECIFIED ON THE DESIGN DRAWINGS.

ANCHOR BOLT SCHEDULE					
DIA D	PLATE WASHER	SLEEVE IF REQD		THREAD LENGTH	DIA D
		DIA	LENGTH		
1/4"		2"	5"	1 3/4"	1/2"
5/16"		2"	5"	2 1/2"	5/8"
3/8"		2"	7"	2 1/2"	3/4"
1/2"		2"	7"	2 7/8"	7/8"
1"	2 1/2" X 2 1/2" X 3/8"	3"	10"	3 1/2"	1"
1 1/8"	3" X 3" X 1/2"	3"	10"	3 5/8"	1 1/8"
1 1/4"	3 1/2" X 3 1/2" X 1/2"	3"	10"	4"	1 1/4"
1 3/8"	3 1/2" X 3 1/2" X 1/2"	4"	15"	4 3/8"	1 3/8"
1 1/2"	3 3/4" X 3 3/4" X 5/8"	4"	15"	4 3/4"	1 1/2"



- NOTES:**
1. FOR GENERAL NOTES, ABBREVIATIONS AND SYMBOLS, SEE DRAWING S-001

Date Received: 4/19/96	LGO: D960288-B-03
Contractor: WA-S-003	
Time: 2.8	LGO: C960857-00-1
Date: 4/19/96	Approved:
TDM #:	LGO:
Date: / /	Approved:
Client/Transmittal:	LGO:
Date: / /	Approved:

NO.	DATE	BY	CHKD	ENGR	PROJ	DESCRIPTION
B	4-19-96	MCS				FINAL DESIGN REVIEW & BID
A	10-31-95					PRELIMINARY DESIGN REVIEW

DRAWN	MCS
CHECKED	
ENGINEER	
PROJ	

**PARSONS**

100 WEST WALNUT STREET  
PASADENA, CALIFORNIA

**LIGO**

CALIFORNIA INSTITUTE OF TECHNOLOGY  
MASSACHUSETTS INSTITUTE OF TECHNOLOGY

LASER INTERFEROMETER  
GRAVITATIONAL-WAVE OBSERVATORY  
SITE NO. 1 - HANFORD, WASHINGTON

**STRUCTURAL STANDARD CONCRETE DETAILS SHEET 2**

CONTRACT NUMBER: PPI50969  
PROJECT NUMBER: 8094

**WA-S-003**

This document and the design it covers are the property of PARSONS. They are loaned only with the borrower's expressed written agreement that they will not be reproduced, copied, loaned, exhibited, or used in any other way, except by written consent from PARSONS to the borrower.