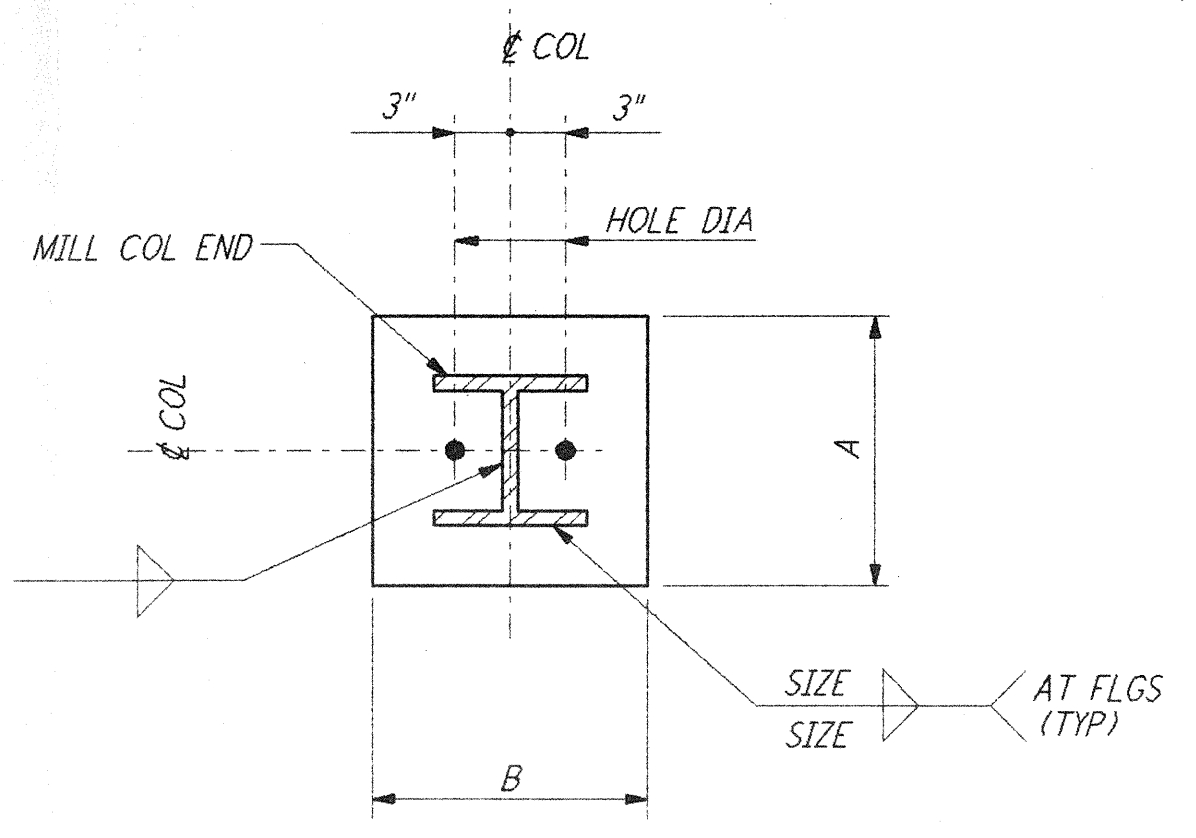


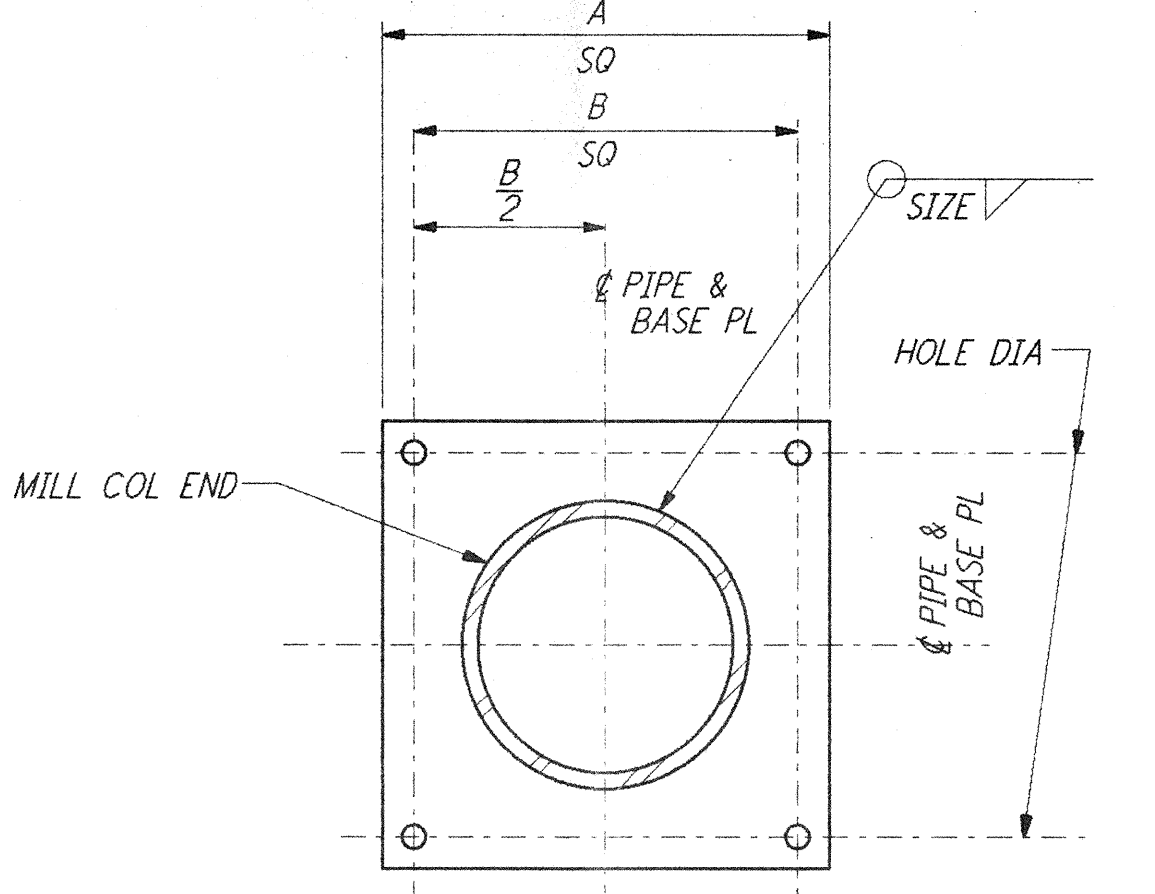
| BASE PLATE SCHEDULE | | | | | | |
|---------------------|-------|--------|--------|--------|----------|----------|
| MEMBER SIZE | A | B | C | D | PL THICK | DIA HOLE |
| WB | 1'-0" | 0'-11" | 2 1/2" | 2 1/2" | 1" | 1 5/16" |
| W10 | 1'-0" | 0'-11" | 3" | 3" | 1" | 1 3/8" |
| W12 | 1'-2" | 0'-11" | 3 1/2" | 3 1/2" | 1 1/4" | 1 5/8" |
| W14 | 1'-4" | 1'-4" | 3 1/2" | 3 1/2" | 1 1/4" | 1 5/8" |
| W16 | 1'-6" | 1'-4" | 3 1/2" | 3 1/2" | 1 1/4" | 1 5/8" |

BASE PLATE DETAILS (1)



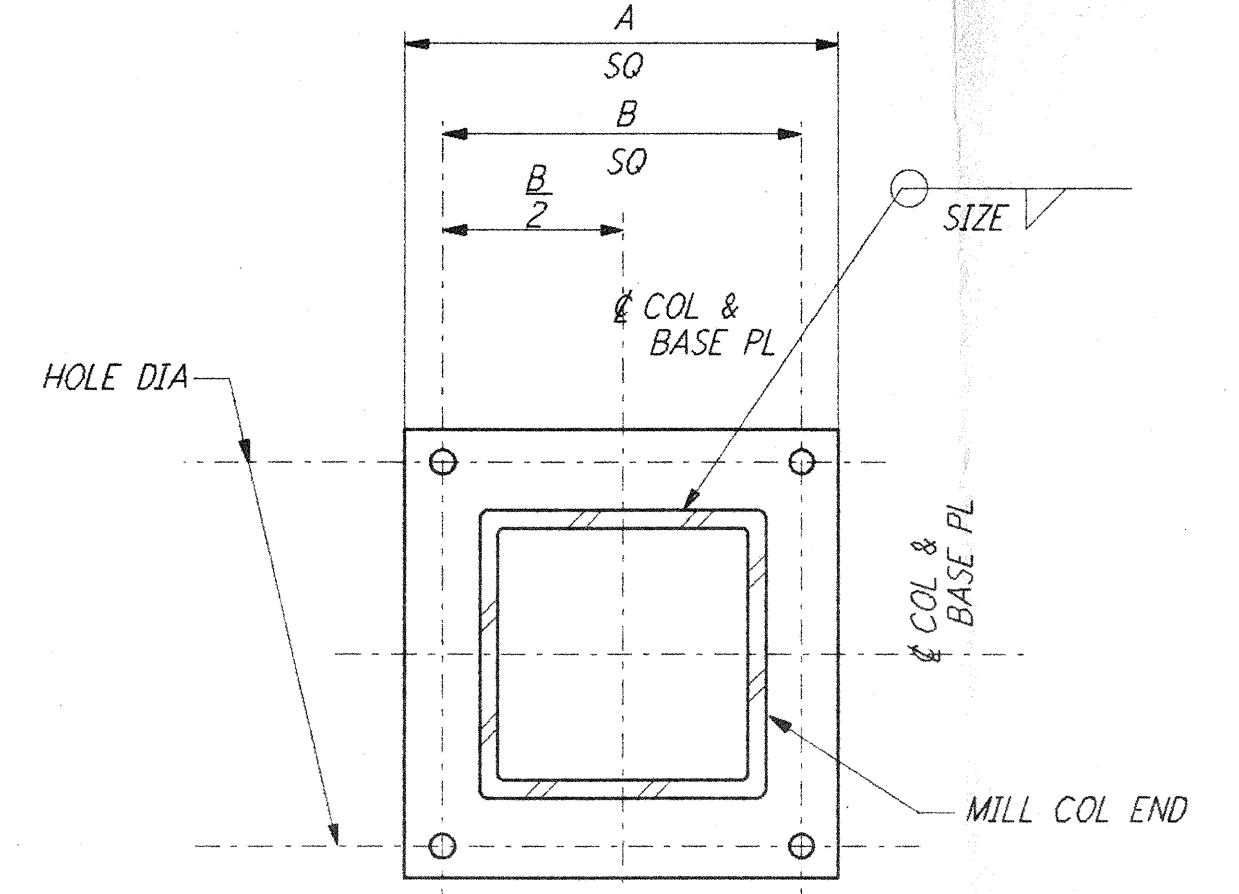
| BASE PLATE SCHEDULE | | | | |
|---------------------|--------|--------|----------|----------|
| MEMBER SIZE | A | B | PL THICK | DIA HOLE |
| WB | 0'-10" | 0'-10" | 3/4" | 1 3/8" |
| W10 | 1'-0" | 0'-10" | 1" | 1 3/8" |
| W12 | 1'-2" | 0'-10" | 1" | 1 3/8" |
| W14 | 1'-4" | 0'-10" | 1 1/4" | 1 5/8" |
| W16 | 1'-6" | 0'-10" | 1 1/4" | 1 5/8" |

BASE PLATE DETAIL (2)



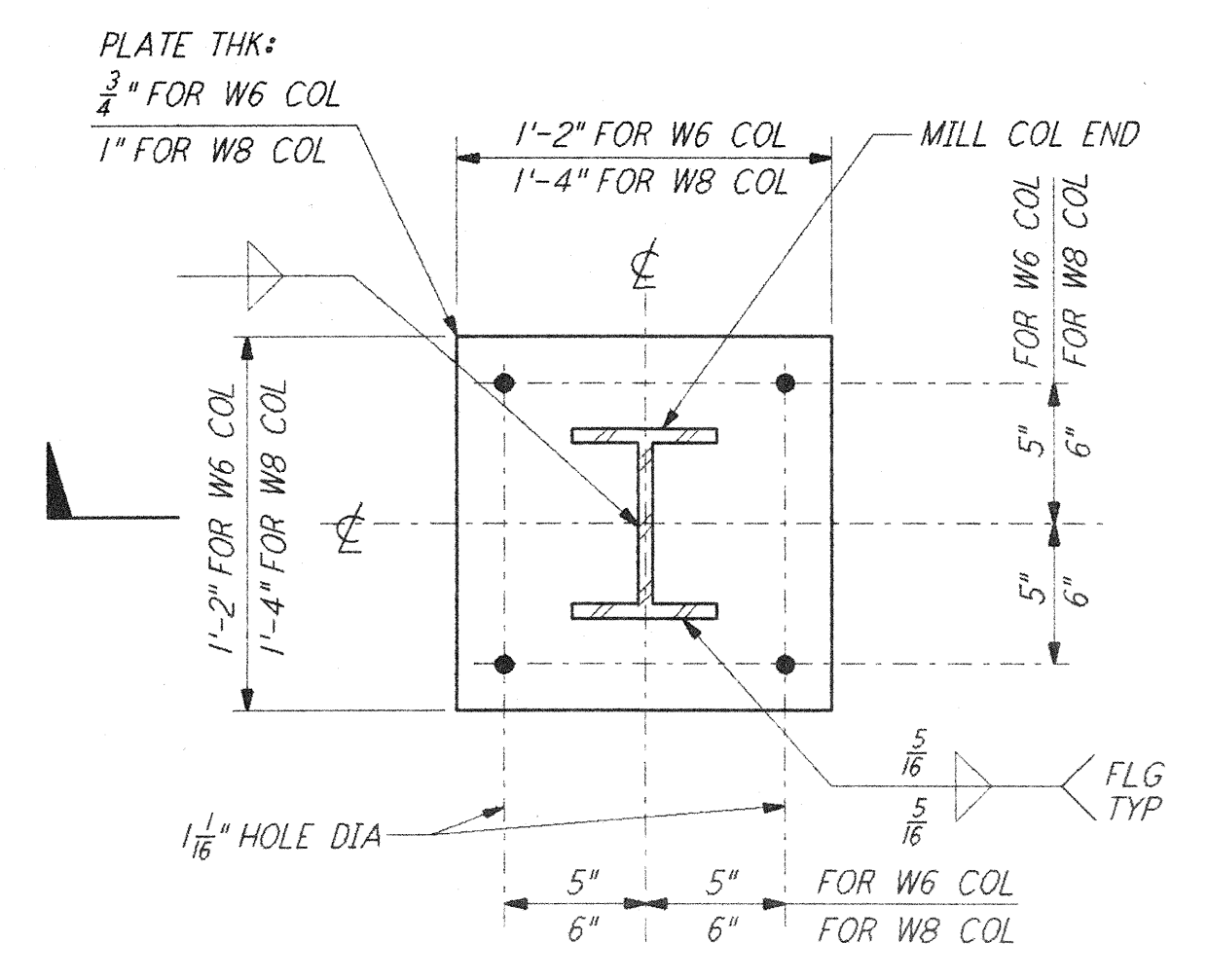
| BASE PLATE SCHEDULE | | | | |
|---------------------|-------|--------|----------|----------|
| PIPE DIA | A | B | PL THICK | DIA HOLE |
| 3" | 1'-0" | 0'-6" | 3/4" | 1 5/8" |
| 4" | 1'-0" | 0'-8" | 1" | 1 5/8" |
| 5" | 1'-2" | 0'-10" | 1 1/4" | 1 3/8" |
| 6" | 1'-4" | 1'-0" | 1 1/4" | 1 3/8" |
| 8" | 1'-4" | 1'-0" | 1 1/2" | 1 3/8" |

PIPE BASE PLATE DETAIL (3)

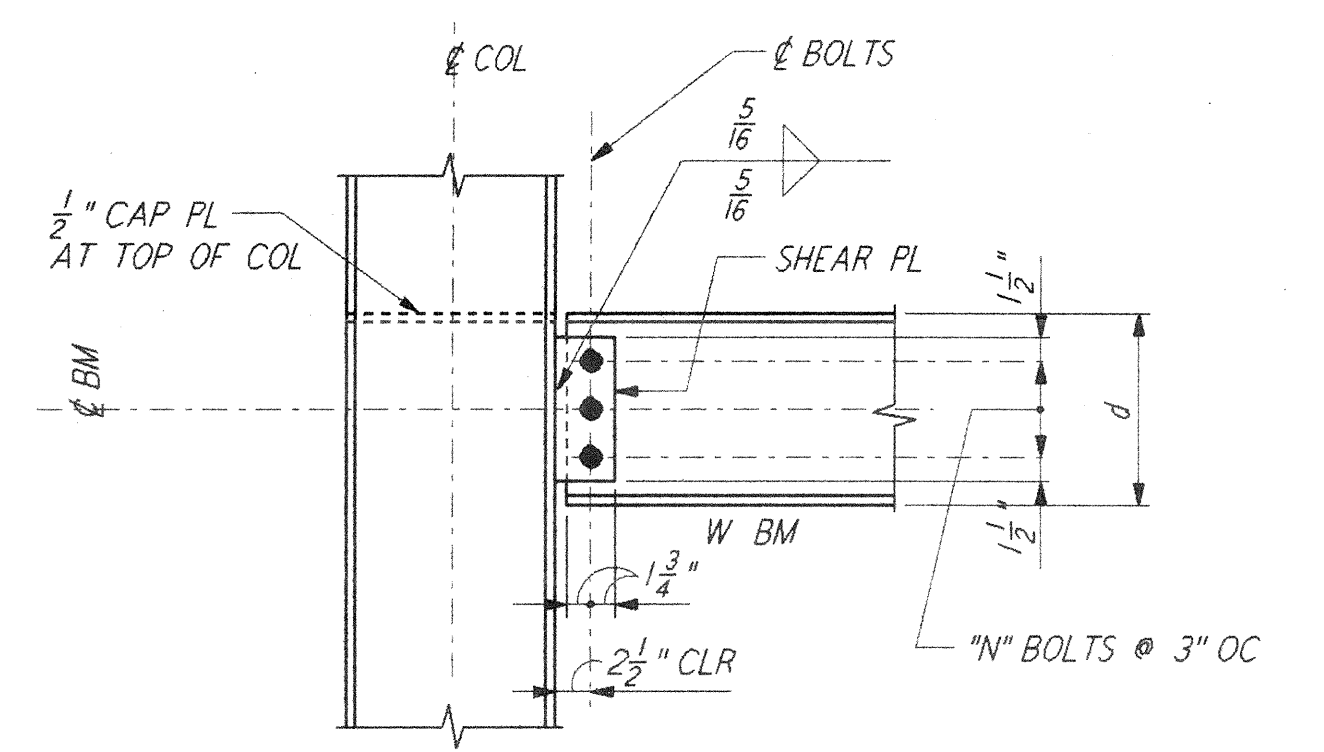


| BASE PLATE SCHEDULE | | | | |
|---------------------|-------|--------|----------|----------|
| COL SIZE | A | B | PL THICK | DIA HOLE |
| TS4X4 | 1'-0" | 0'-8" | 1" | 1 5/8" |
| TS5X5 | 1'-2" | 0'-10" | 1 1/4" | 1 3/8" |
| TS6X6 | 1'-4" | 1'-0" | 1 1/4" | 1 3/8" |
| TS7X7 | 1'-6" | 1'-2" | 1 1/2" | 1 3/8" |
| TS8X8 | 1'-6" | 1'-2" | 1 1/2" | 1 3/8" |

TS BASE PLATE DETAIL (4)

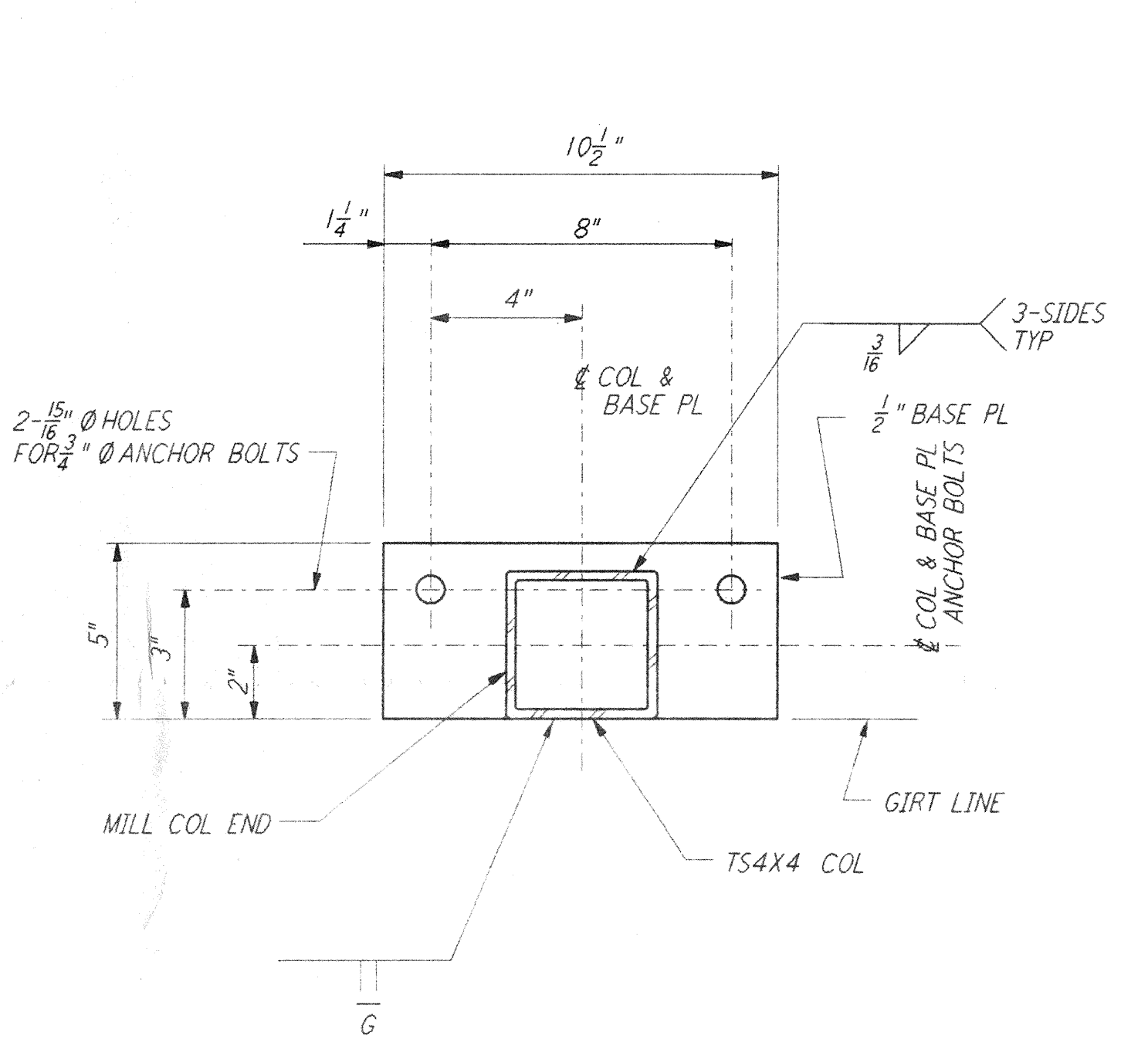


BASE PLATE DETAIL (5)

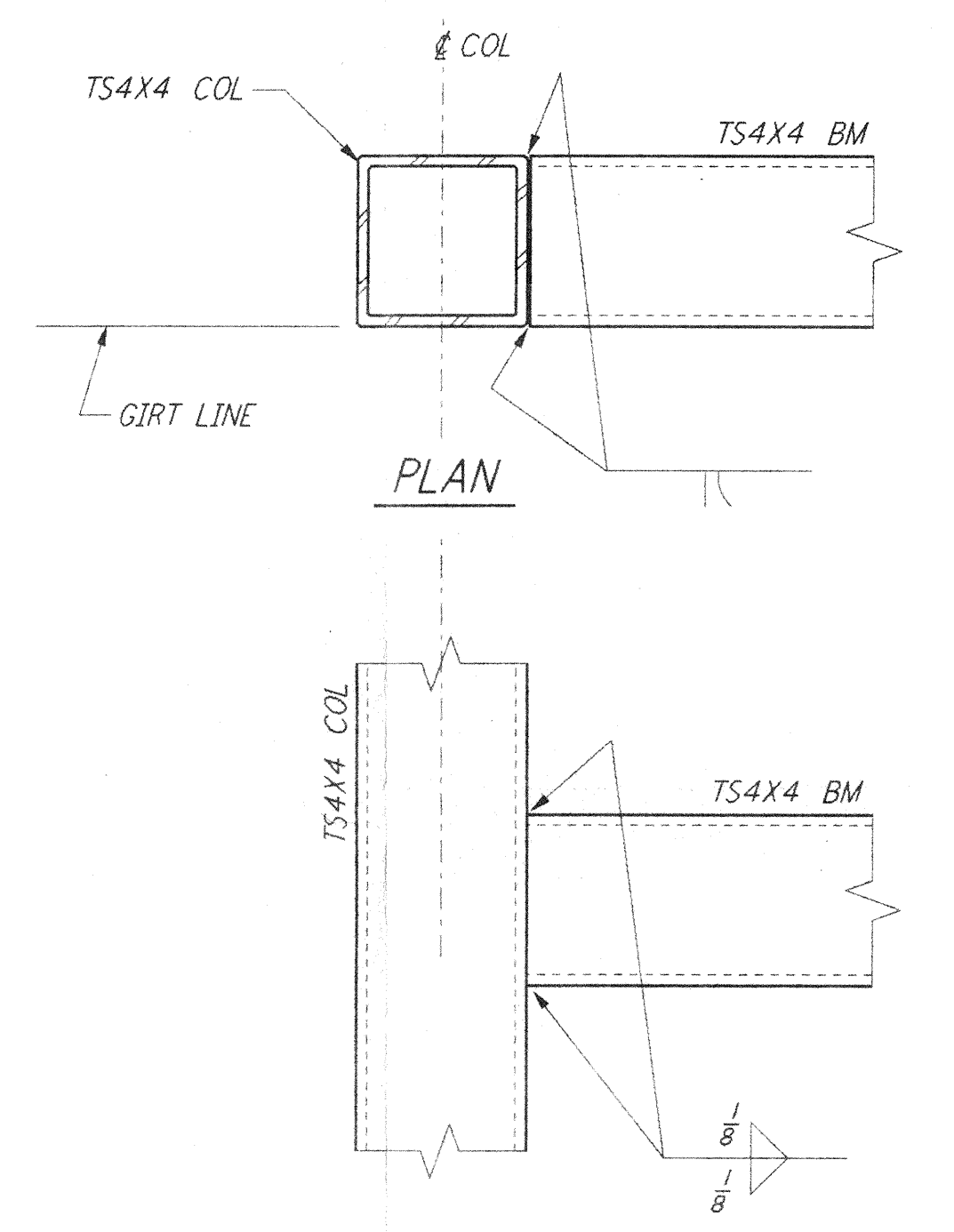


| SCHEDULE | |
|-----------------------|------------------|
| BEAM DEPTH d (INCHES) | NO. OF BOLTS "N" |
| 8, 10 | 2 |
| 12, 14 | 3 |
| 16, 18 | 4 |
| 21, 24, 27 | 5 |
| 30, 33, 36 | 6 |

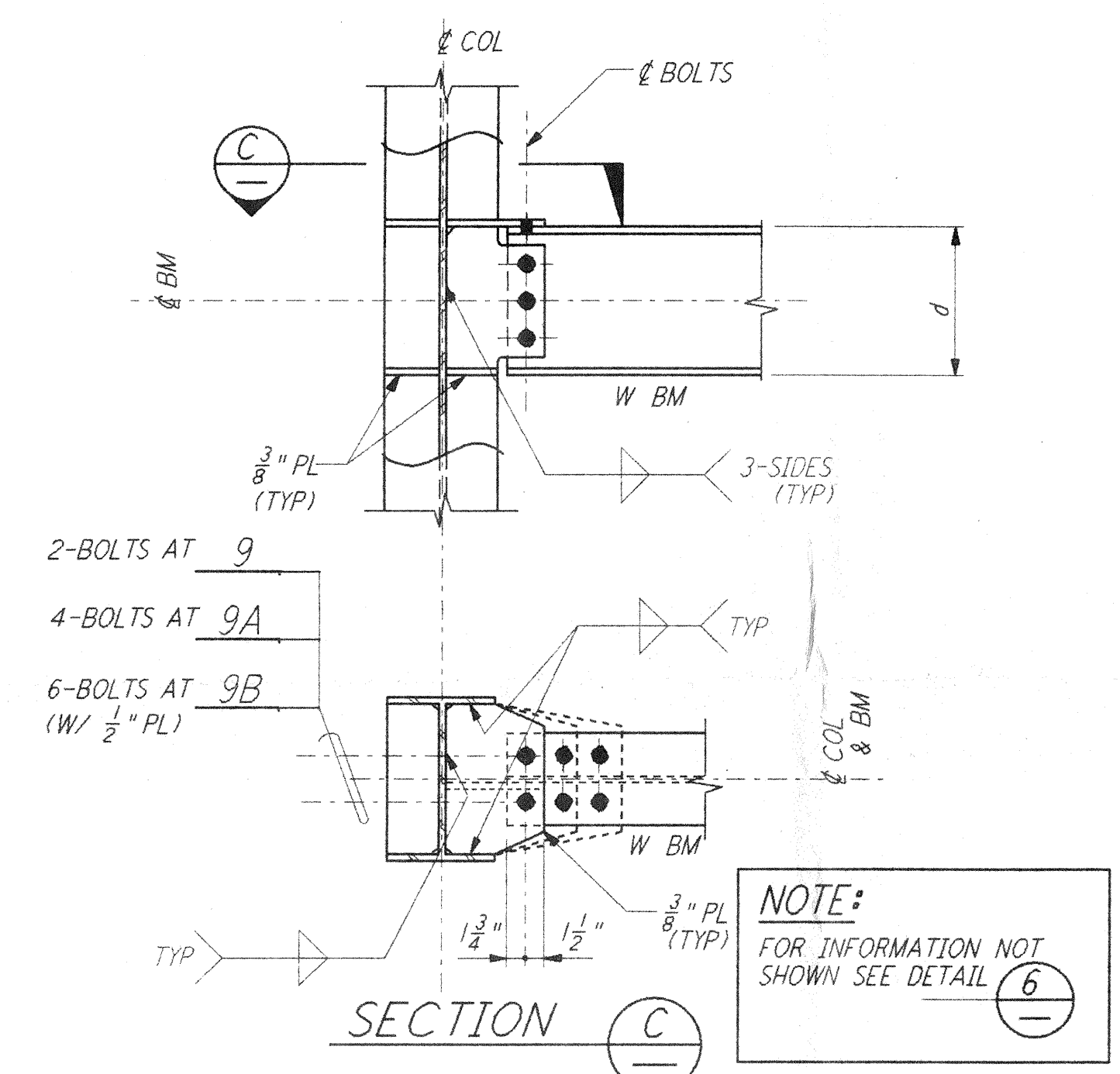
BEAM TO COLUMN CONNECTION DETAIL (6)



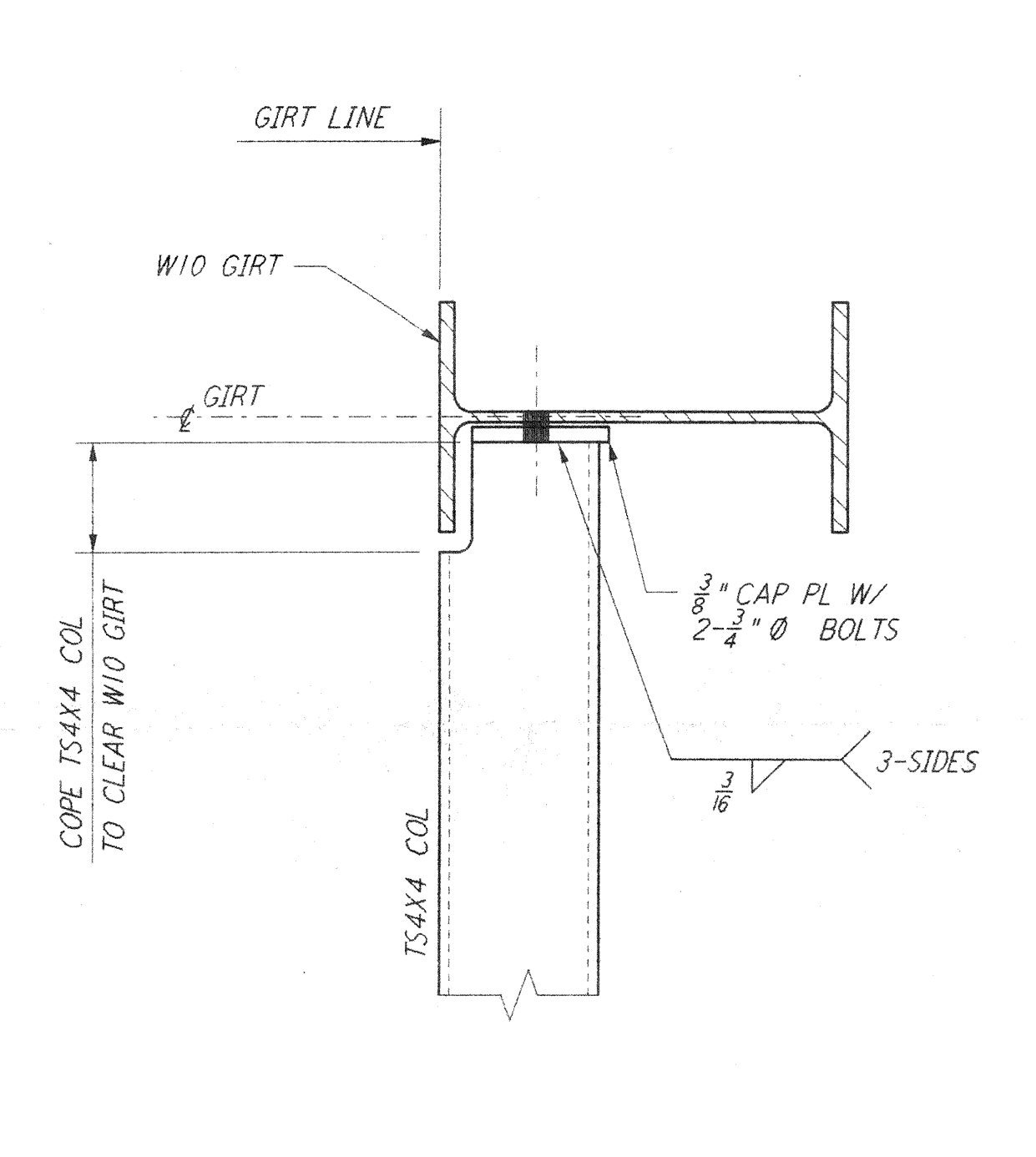
BASE PLATE DETAIL (7)



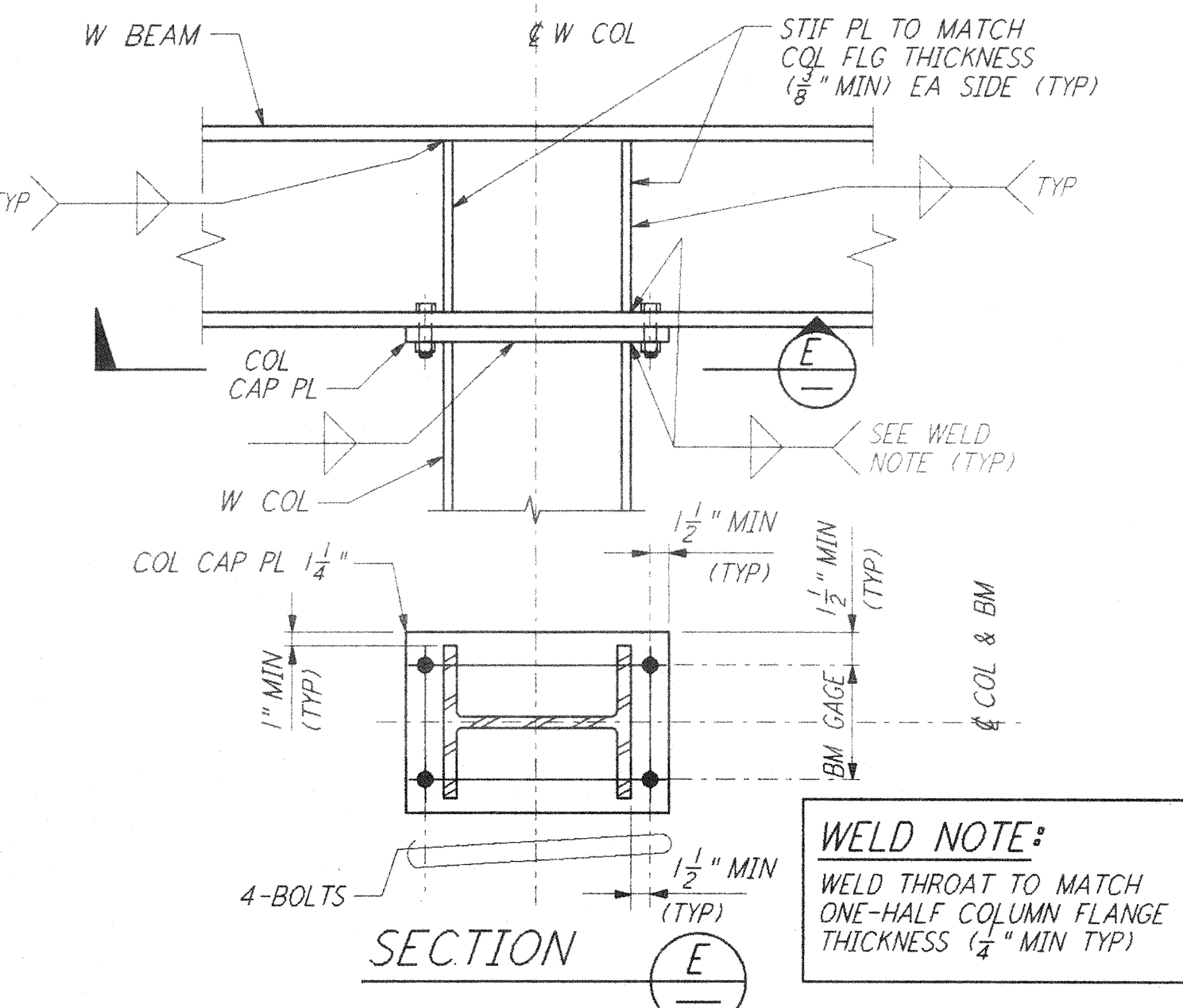
ELEVATION DETAIL (8)



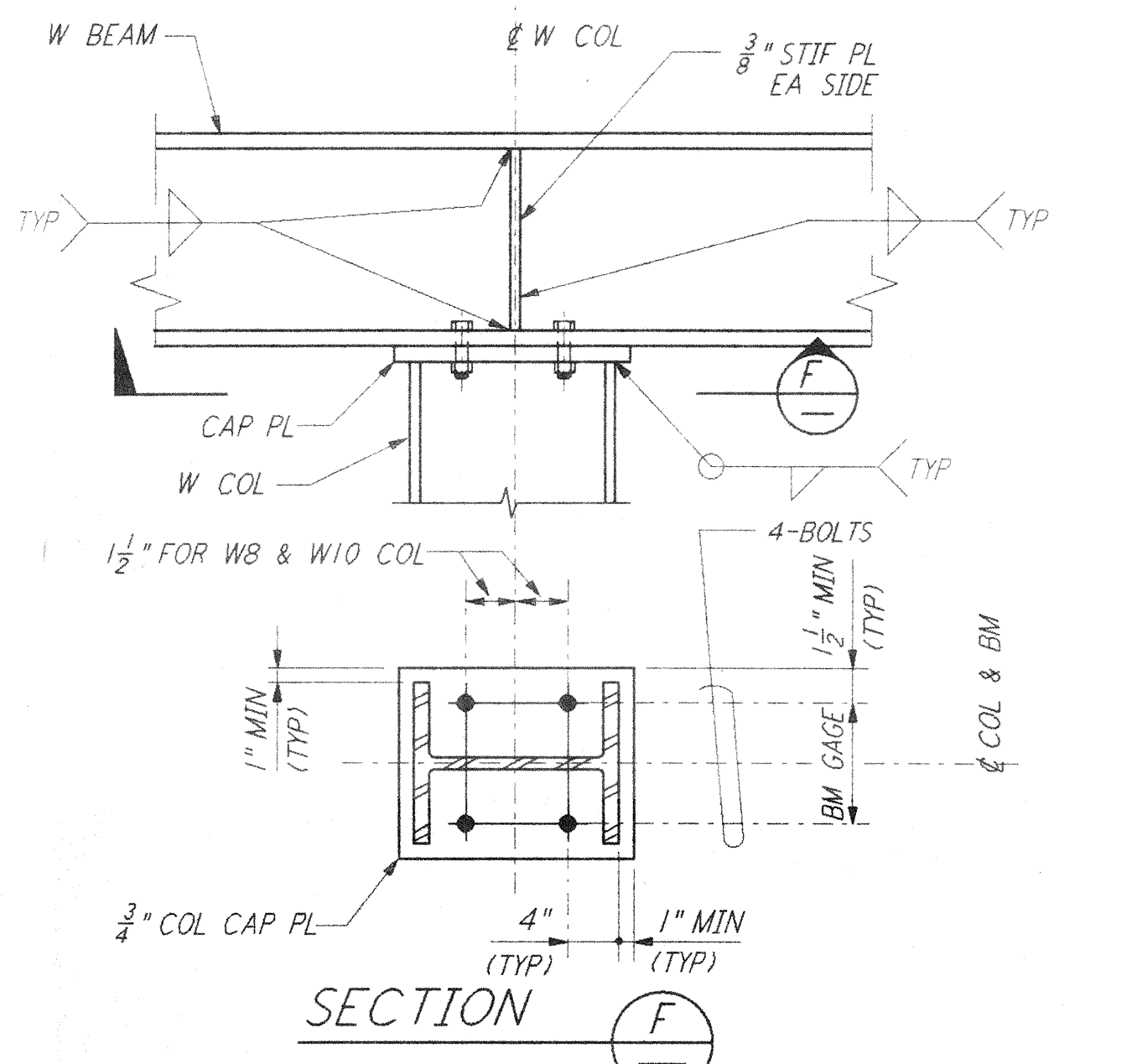
STRUT BEAM TO COLUMN CONNECTION DETAIL (9)



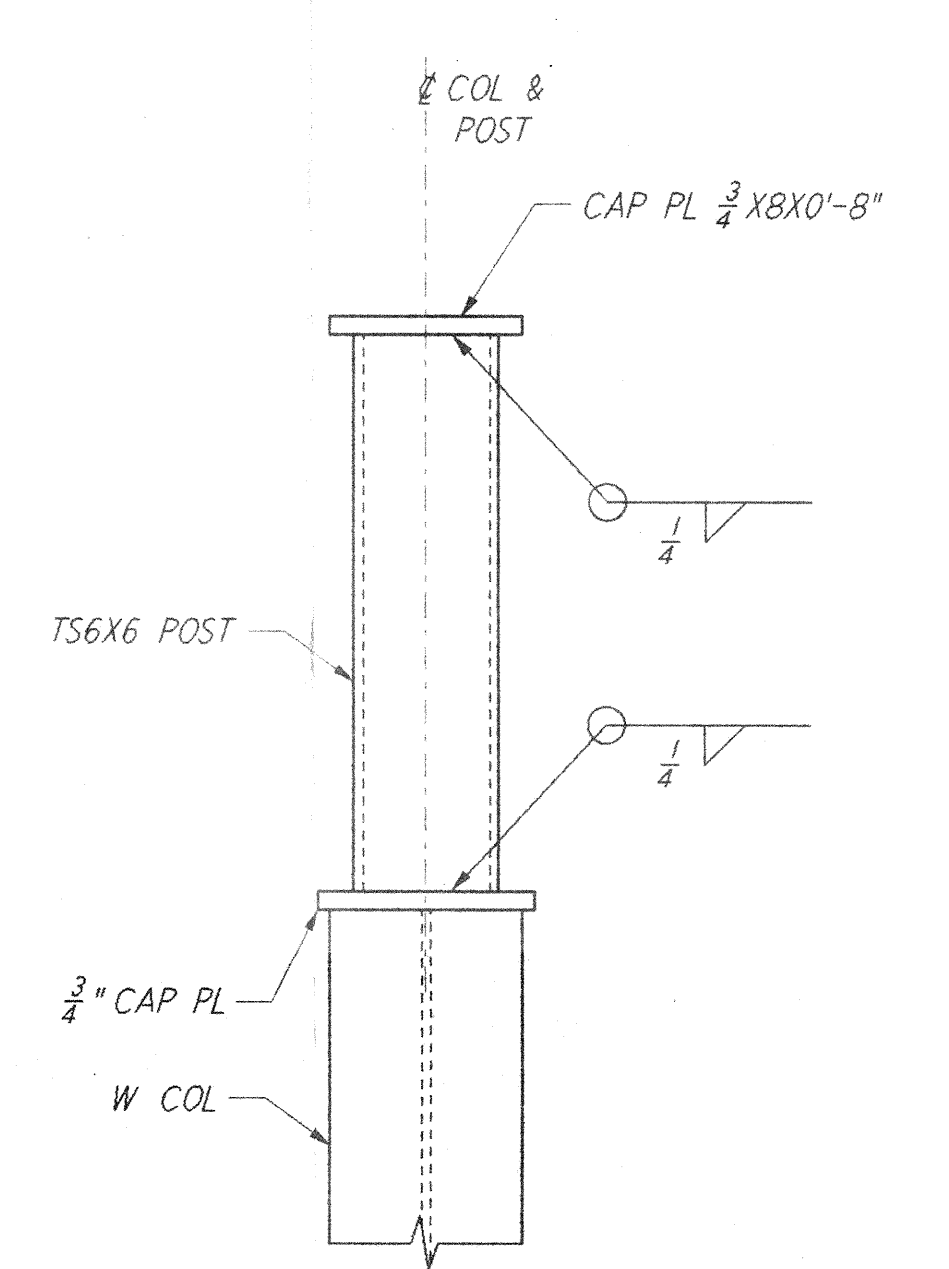
DETAIL (10)



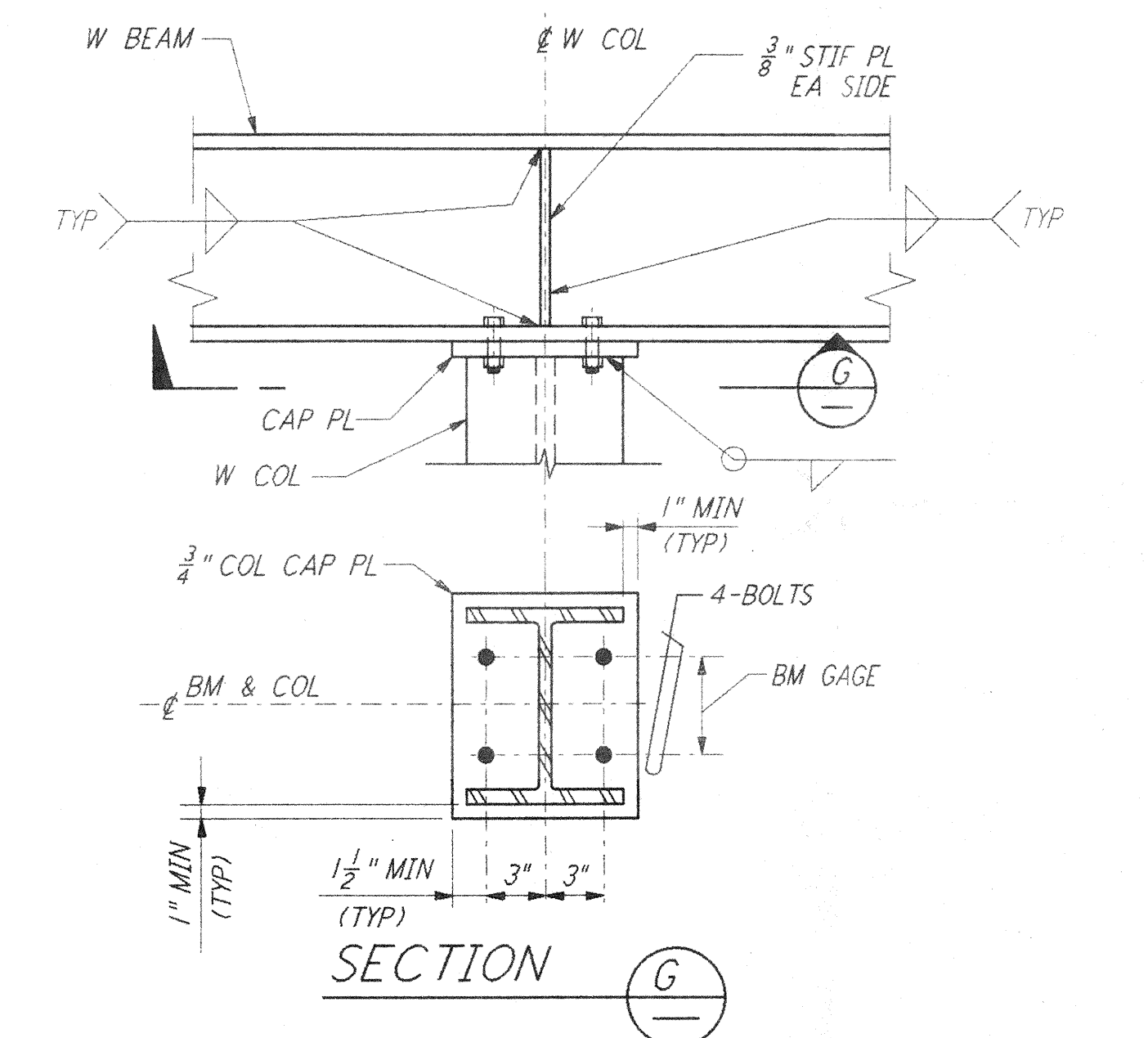
BEAM TO COLUMN BOLTED MOMENT CONNECTION DETAIL (11)



BEAM TO COLUMN BOLTED CONNECTION DETAIL (12)



ROOF PLATFORM SUPPORT DETAIL (13)



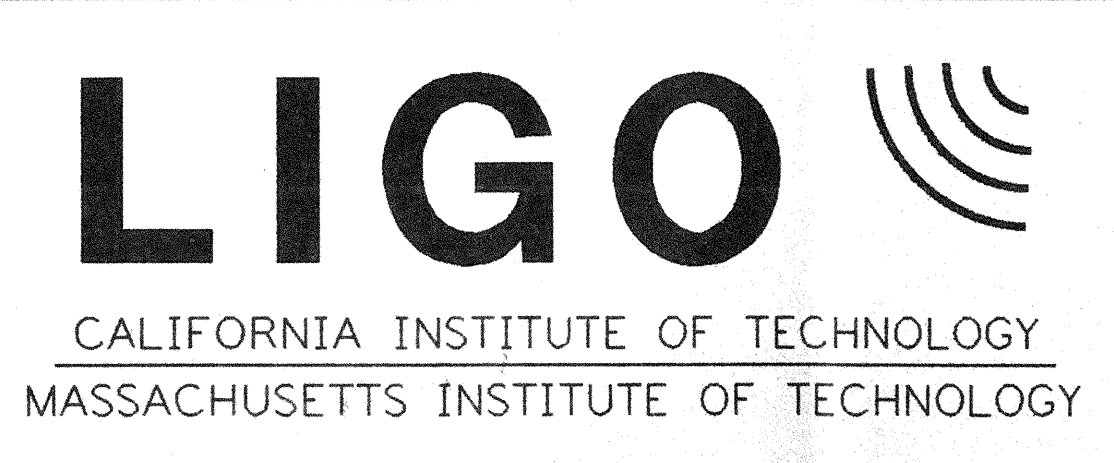
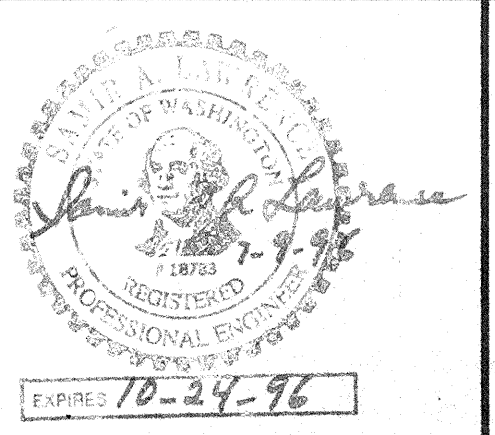
BEAM TO COLUMN BOLTED CONNECTION DETAIL (14)

NOTES:
 1. FOR GENERAL NOTES, ABBREVIATIONS AND SYMBOLS, SEE DRAWING S-100.

| NO. | DATE | BY | CHKD | ENGR | PROJ | DESCRIPTION |
|-----|------|----|------|------|------|-------------|
| | | | | | | |

| NO. | DATE | BY | CHKD | ENGR | PROJ | DESCRIPTION |
|-----|------|----|------|------|------|-------------|
| | | | | | | |

ISSUED FOR CONSTRUCTION
 DRAWN MCS 6-24-96
 CHECKED BML 7-2-96
 ENGINEER BL 6-18-96
 PROJ WDC 7-15-96



LASER INTERFEROMETER GRAVITATIONAL-WAVE OBSERVATORY
 SITE NO. 1 - HANFORD, WASHINGTON

| | | | | | | | |
|-------|---|--------------|------|-----------------|----------|----------------|------|
| TITLE | STRUCTURAL STANDARD STRUCTURAL STEEL CONNECTION DETAILS SHEET 1 | SHEET NUMBER | NONE | CONTRACT NUMBER | PP150969 | PROJECT NUMBER | 8094 |
| SCALE | | REVISIONS | | | | | |

WA-S-004

This document and the design it covers are the property of PARSONS. They are loaned only with the borrower's expressed written agreement that they will not be reproduced, copied, loaned, exhibited, or used in any other way, except by written consent from PARSONS to the borrower.