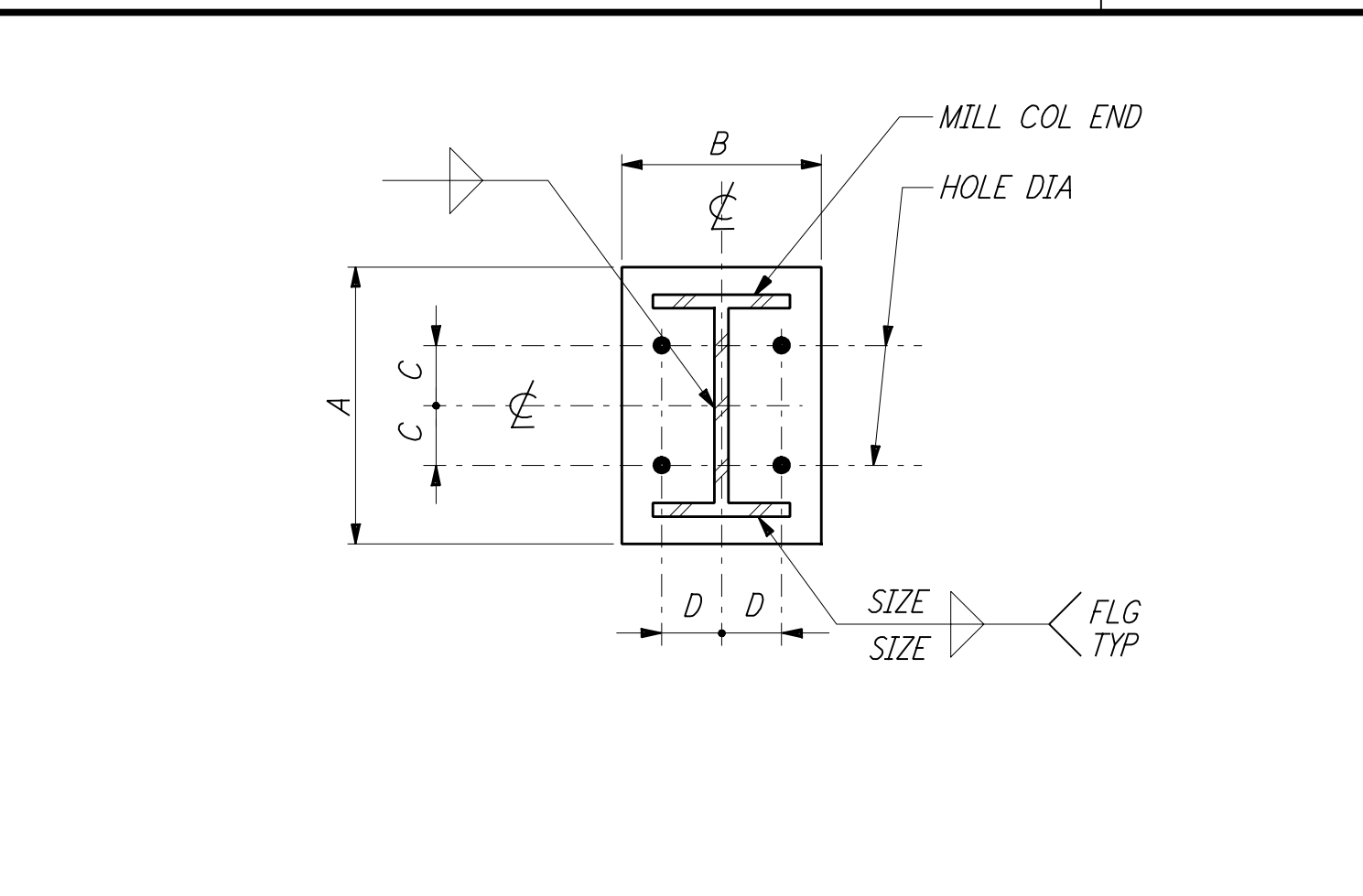
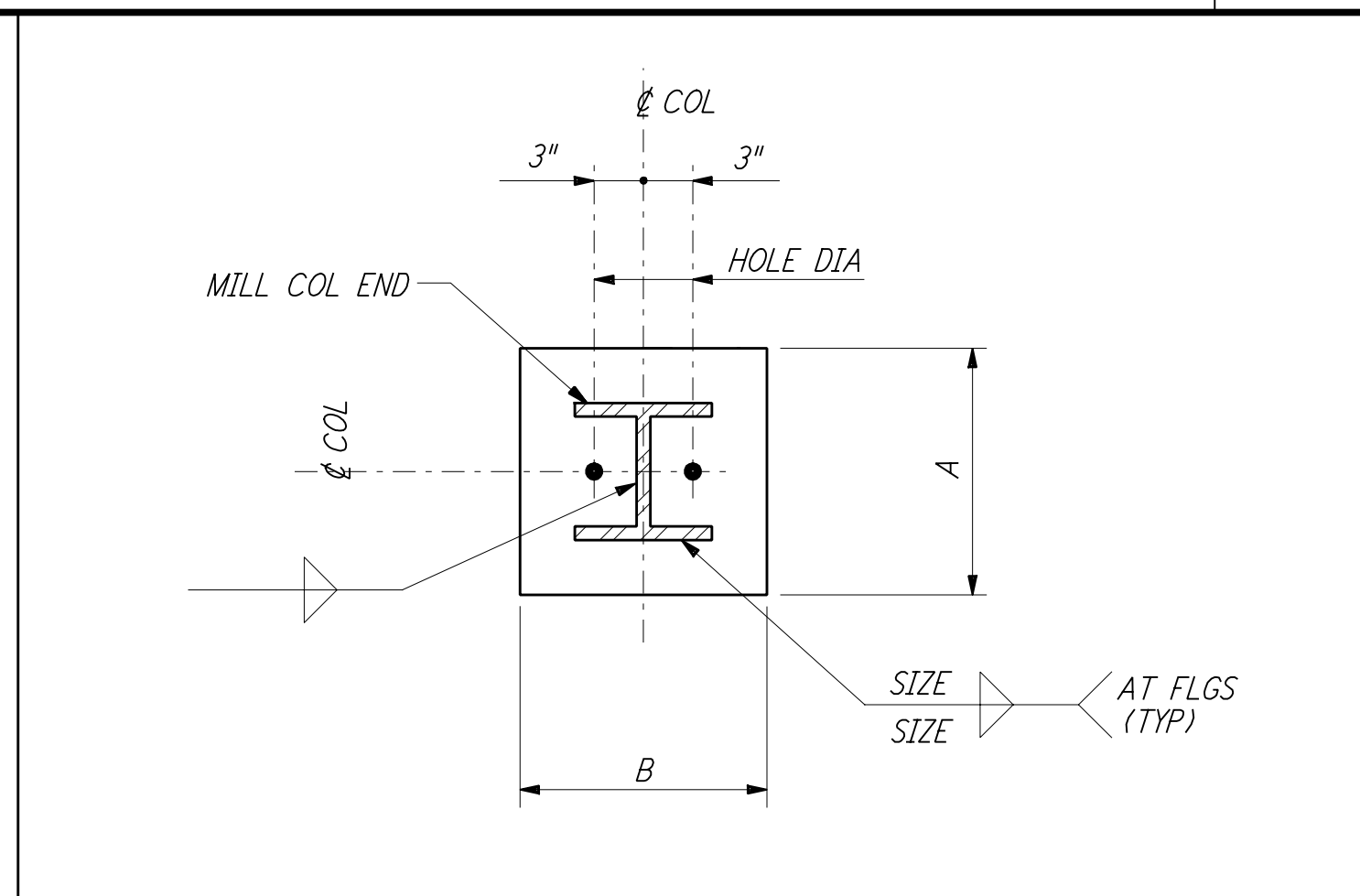


This document and the design it covers are the property of PARSONS. They are loaned only with the borrower's expressed written agreement that they will not be reproduced, copied, loaned, exhibited, or used in any other way, except by written consent from PARSONS to the borrower.



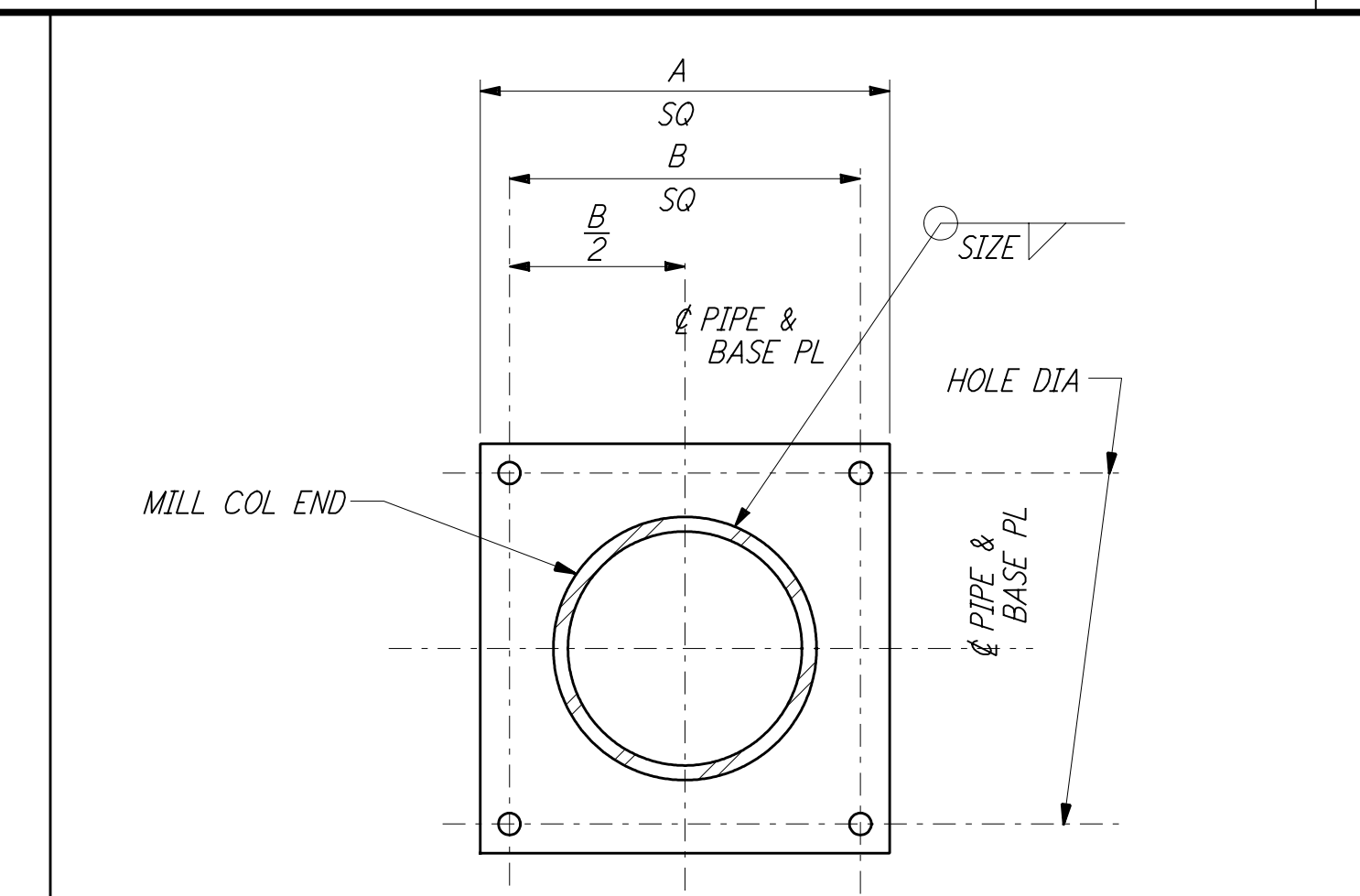
BASE PLATE SCHEDULE						
MEMBER SIZE	A	B	C	D	PL THICK	SIZE WELD
WB	1'-0"	0'-11"	2 1/2"	2 1/2"	1"	5/16"
W10	1'-0"	0'-11"	3"	3"	1"	5/16"
W12	1'-2"	0'-11"	3 1/2"	3 1/2"	1 1/4"	5/16"
W14	1'-4"	1'-4"	3 1/2"	3 1/2"	1 1/4"	5/16"
W16	1'-6"	1'-4"	3 1/2"	3 1/2"	1 1/4"	5/16"

BASE PLATE DETAILS (1)



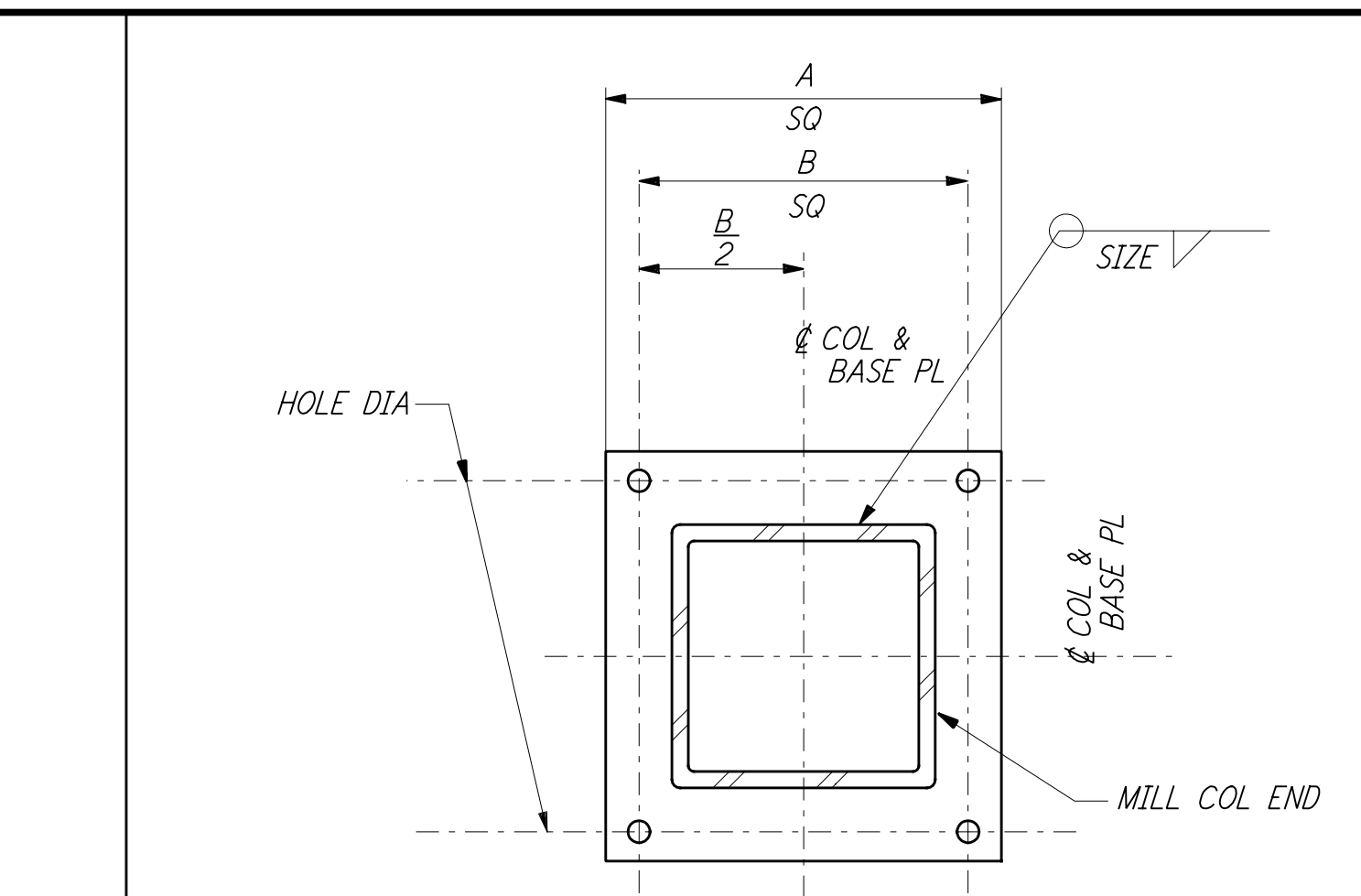
BASE PLATE SCHEDULE					
MEMBER SIZE	A	B	PL THICK	HOLE DIA	SIZE WELD
WB	0'-10"	0'-10"	3/4"	1 1/8"	1/4"
W10	1'-0"	0'-10"	1"	1 3/8"	5/16"
W12	1'-2"	0'-10"	1"	1 3/8"	5/16"
W14	1'-4"	0'-10"	1 1/4"	1 5/8"	5/16"
W16	1'-6"	0'-10"	1 1/4"	1 5/8"	5/16"

BASE PLATE DETAIL (2)



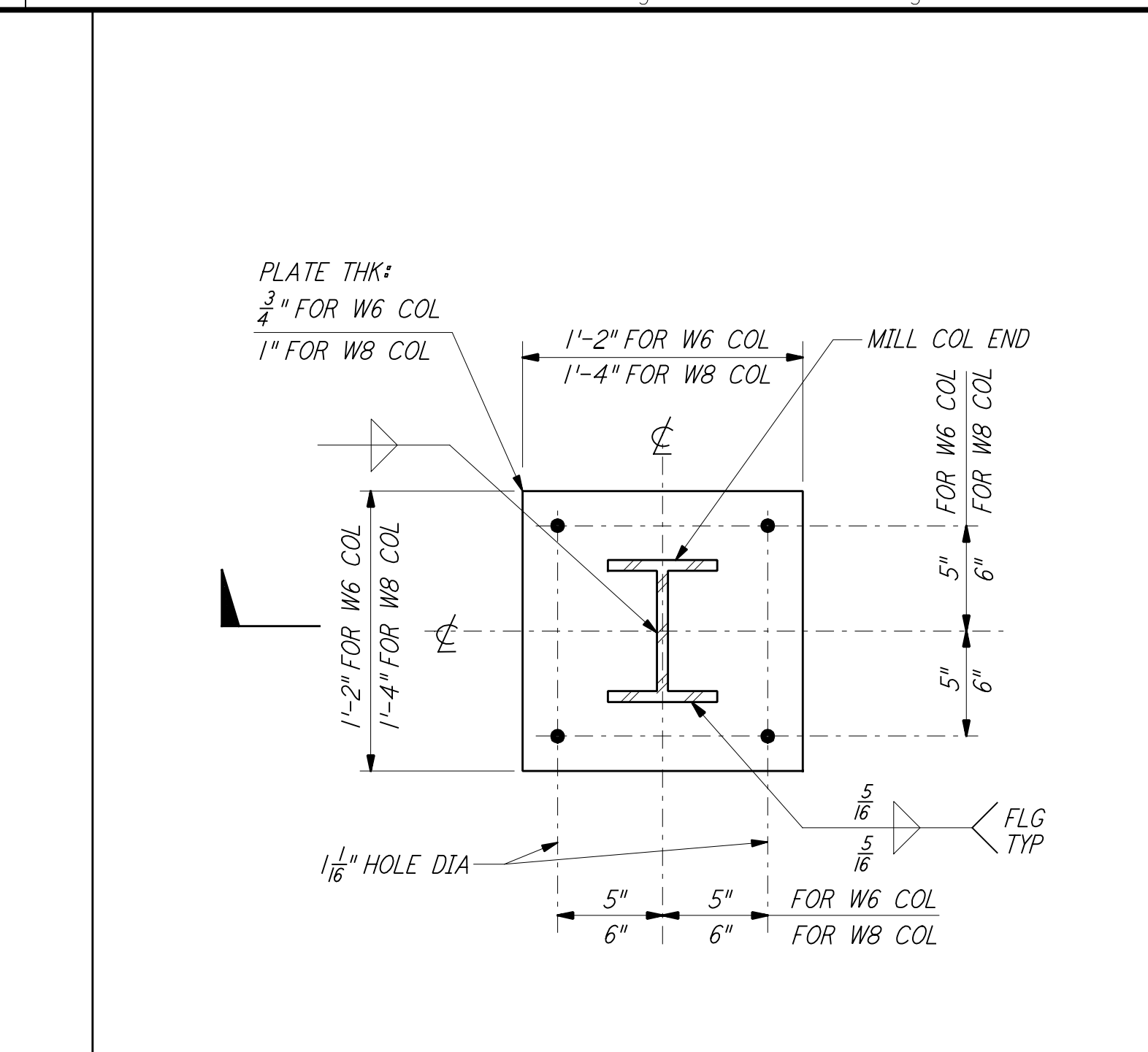
BASE PLATE SCHEDULE					
PIPE DIA	A	B	PL THICK	HOLE DIA	SIZE WELD
3"	1'-0"	0'-6"	3/4"	5/8"	3/16"
4"	1'-0"	0'-8"	1"	5/8"	1/4"
5"	1'-2"	0'-10"	1 1/4"	1 3/8"	1/4"
6"	1'-4"	1'-0"	1 1/4"	1 3/8"	5/16"
8"	1'-4"	1'-0"	1 1/2"	1 3/8"	5/16"

PIPE BASE PLATE DETAIL (3)

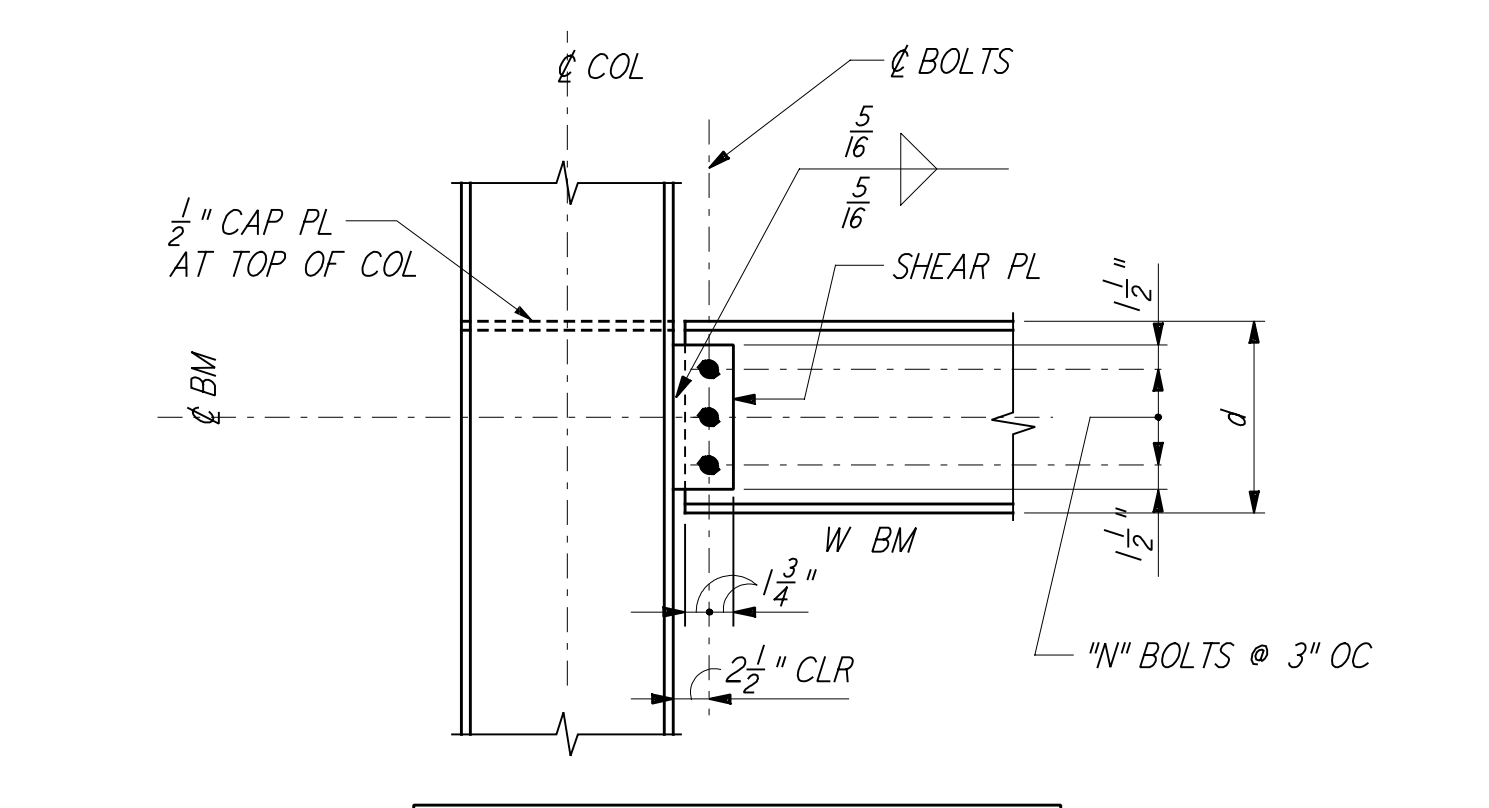


BASE PLATE SCHEDULE					
COL SIZE	A	B	PL THICK	HOLE DIA	SIZE WELD
TS4X4	1'-0"	0'-8"	1"	5/8"	1/4"
TS5X5	1'-2"	0'-10"	1 1/4"	1 3/8"	1/4"
TS6X6	1'-4"	1'-0"	1 1/4"	1 3/8"	5/16"
TS7X7	1'-6"	1'-2"	1 1/2"	1 3/8"	5/16"
TSB8	1'-6"	1'-2"	1 1/2"	1 3/8"	5/16"

TS BASE PLATE DETAIL (4)

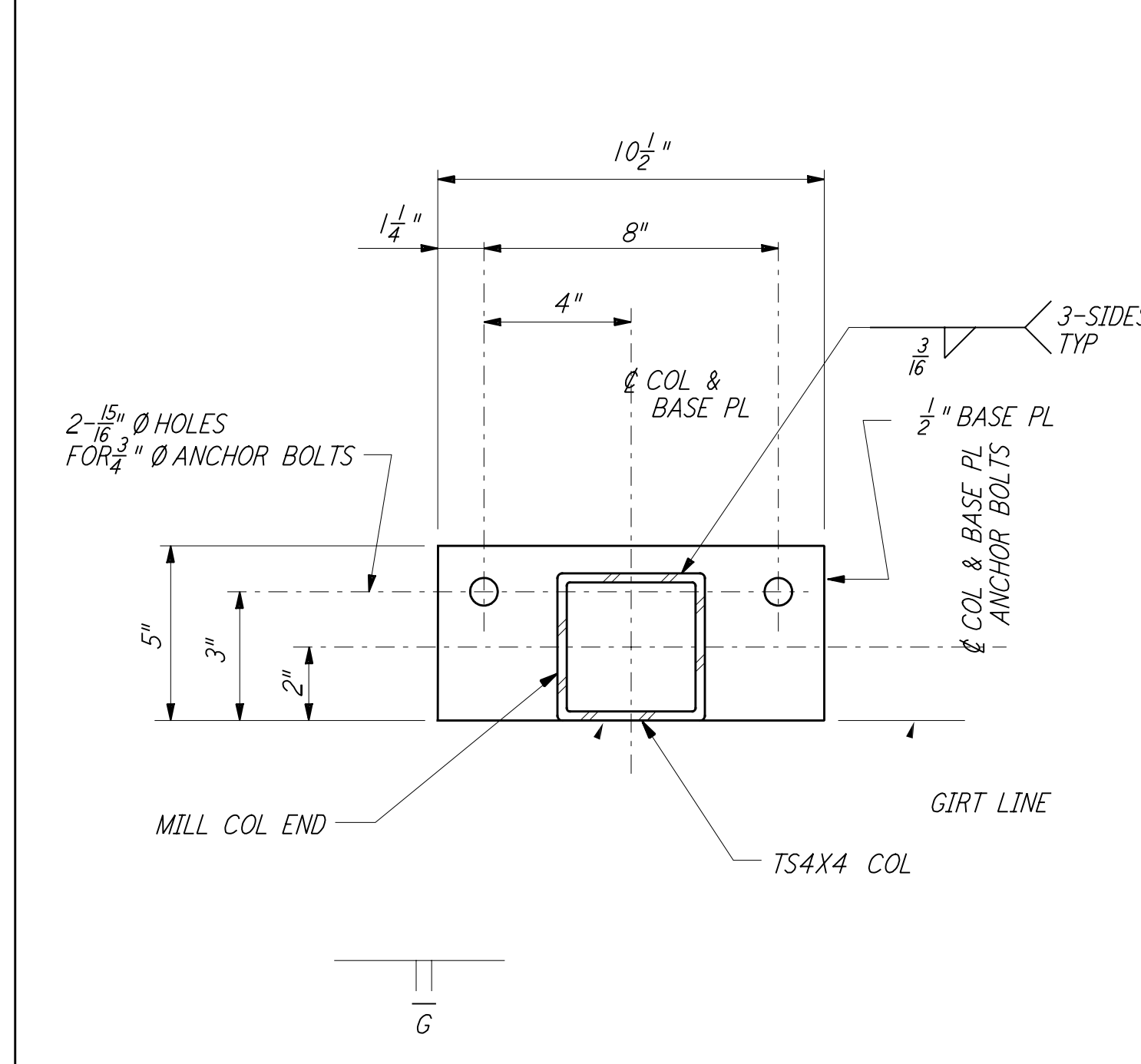


BASE PLATE DETAIL (5)

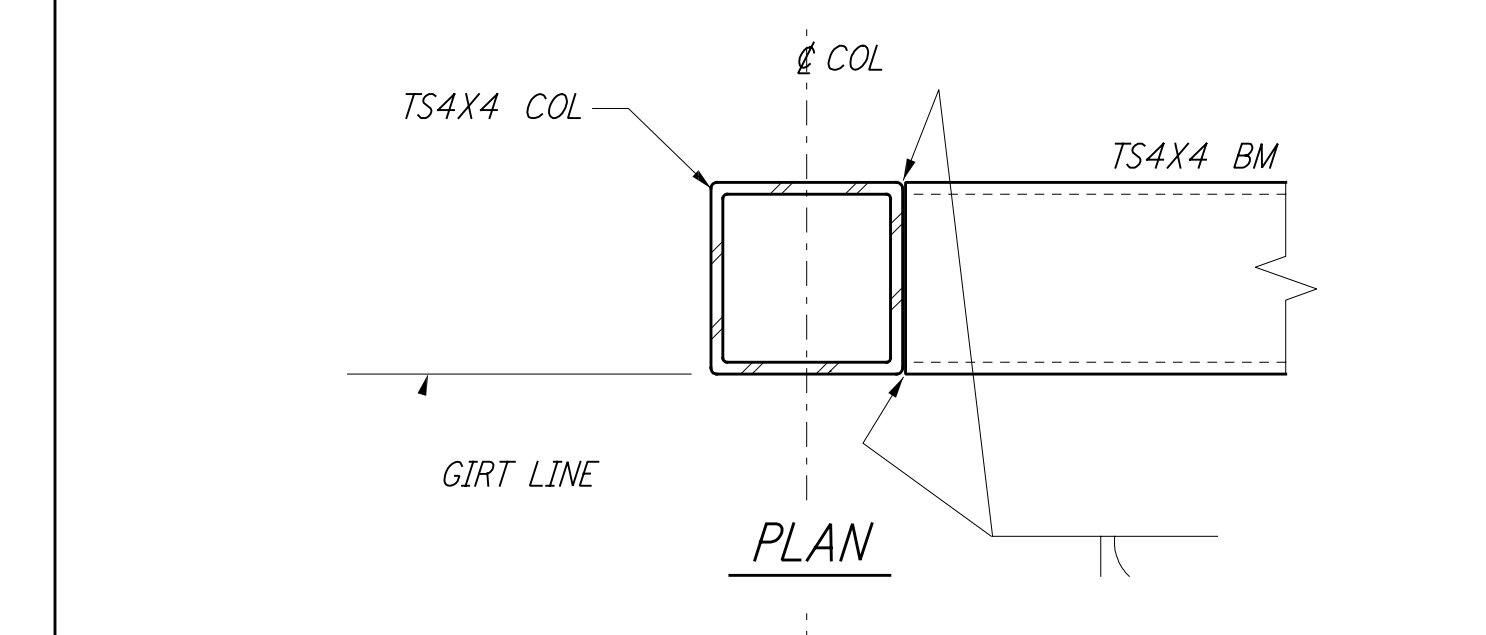


SCHEDULE	
BEAM DEPTH d (INCHES)	NO OF BOLTS "N"
8, 10	2
12, 14	3
16, 18	4
21, 24, 27	5
30, 33, 36	6

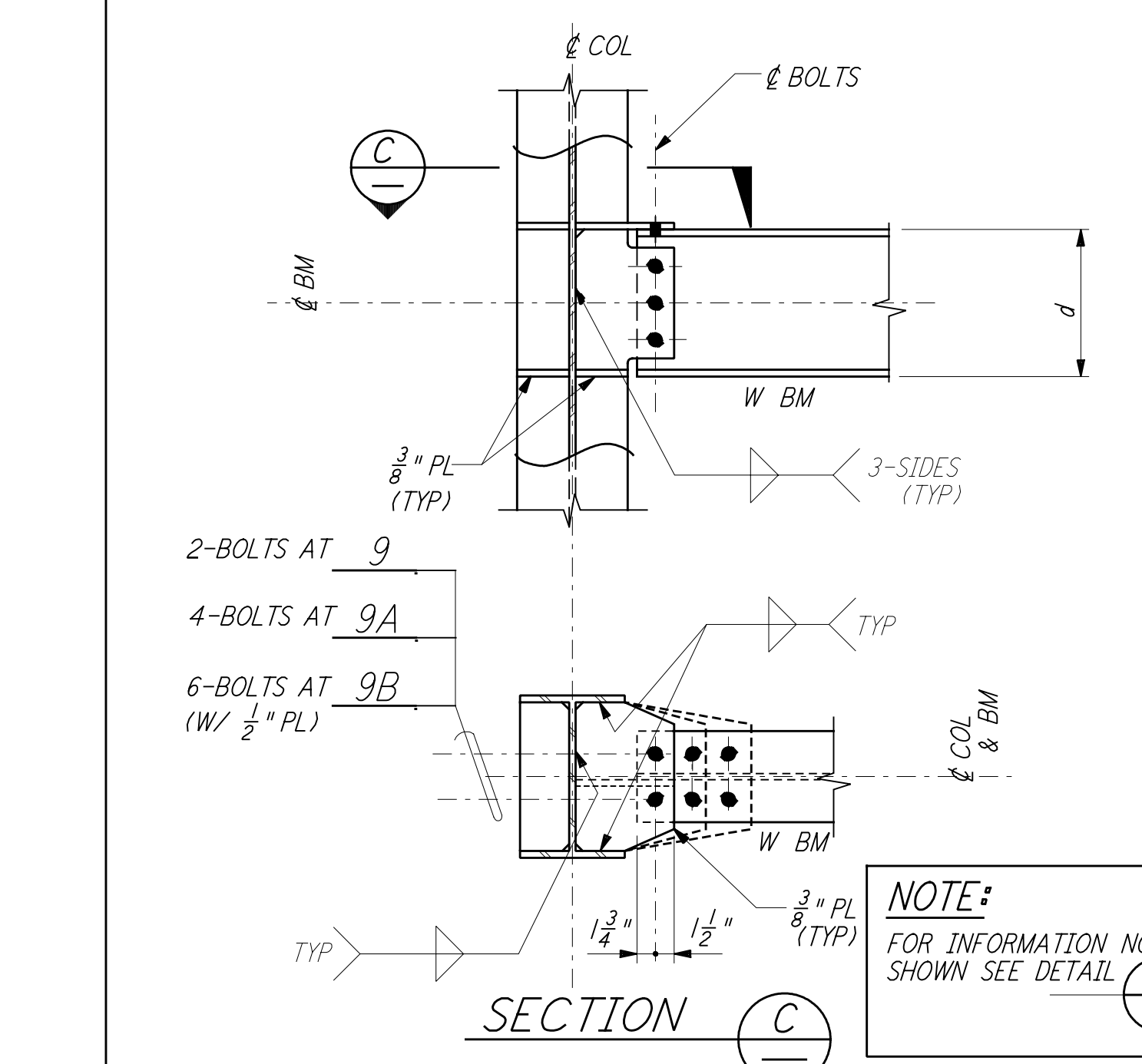
BEAM TO COLUMN CONNECTION DETAIL (6)



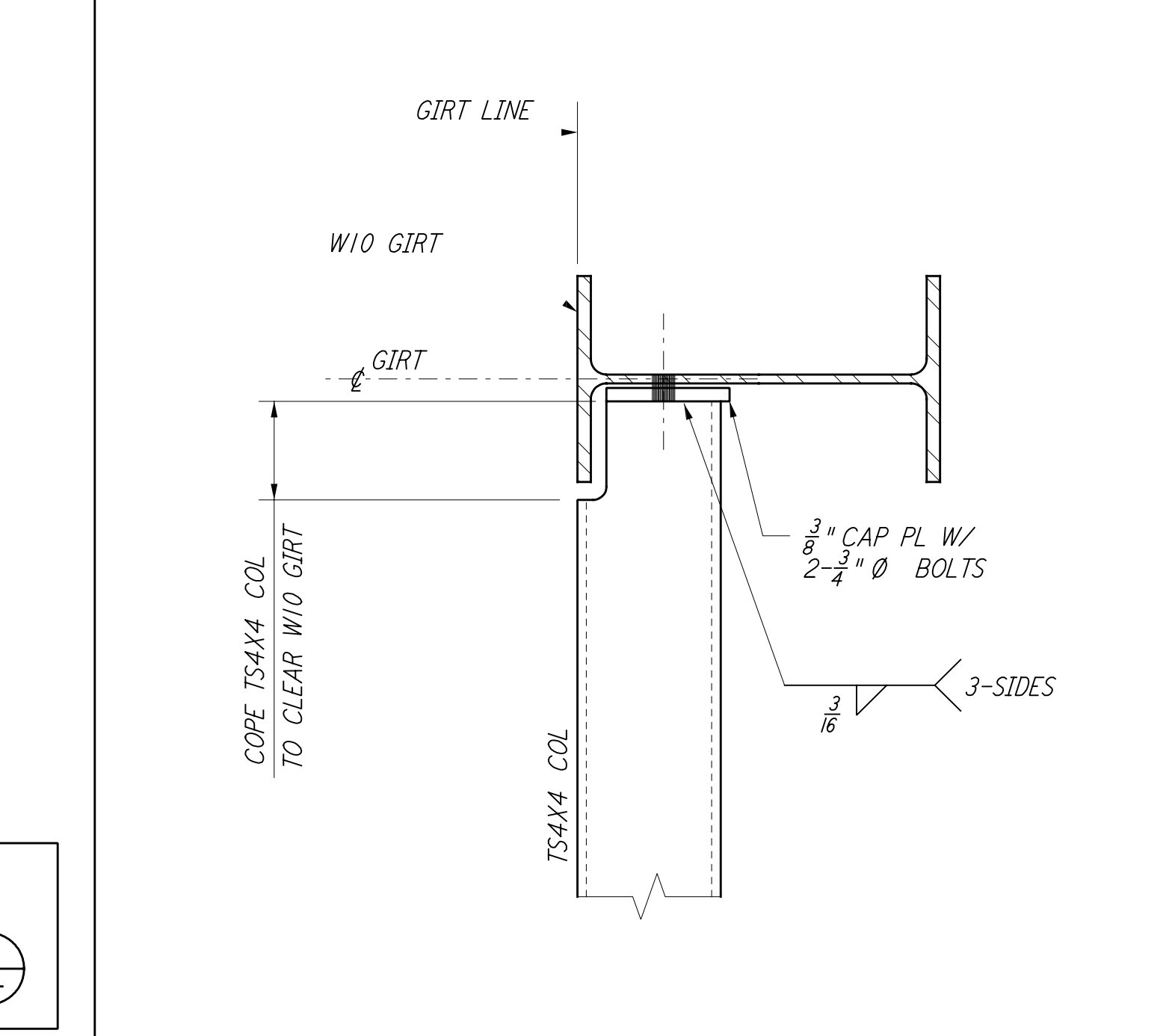
BASE PLATE DETAIL (7)



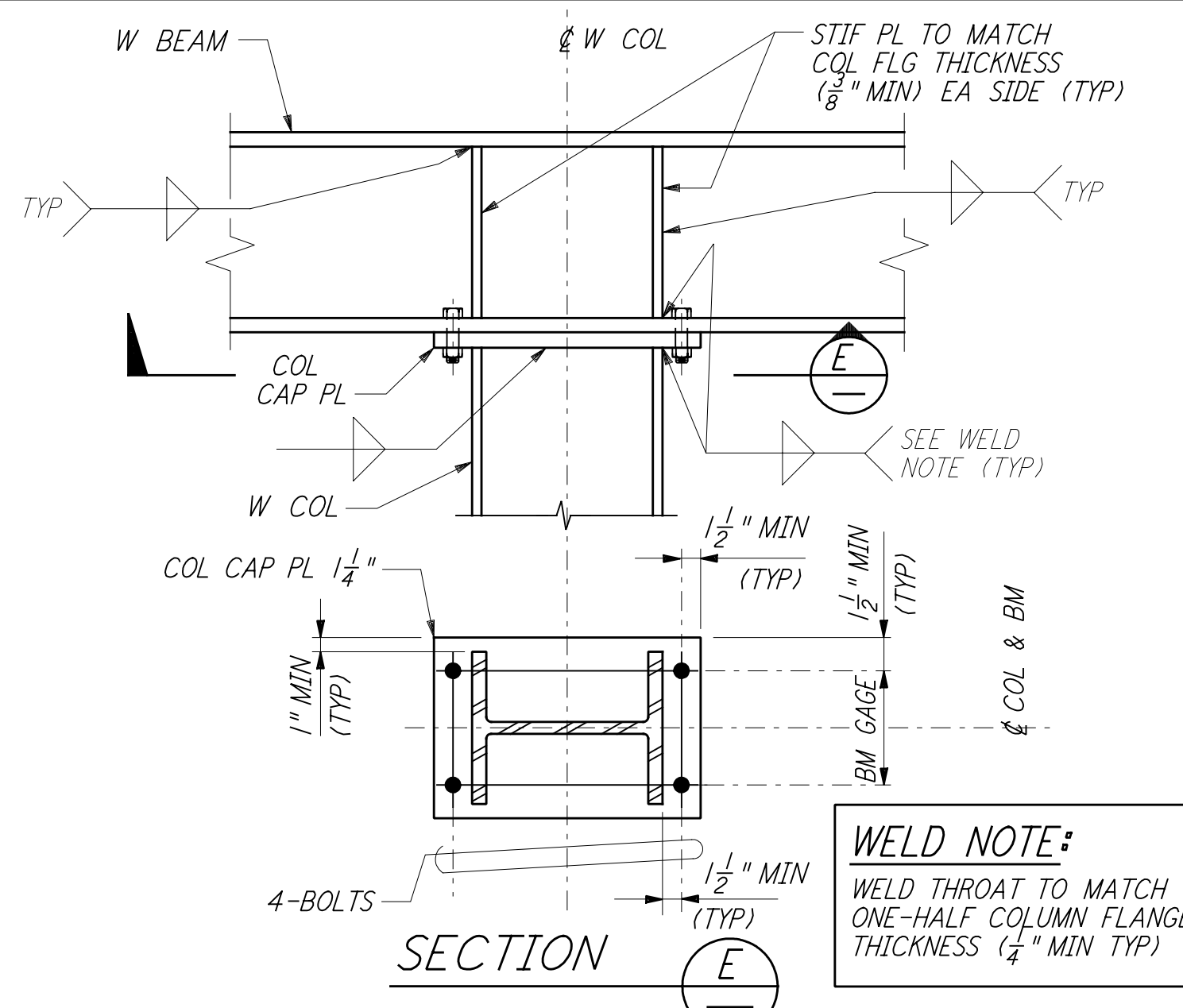
ELEVATION DETAIL (8)



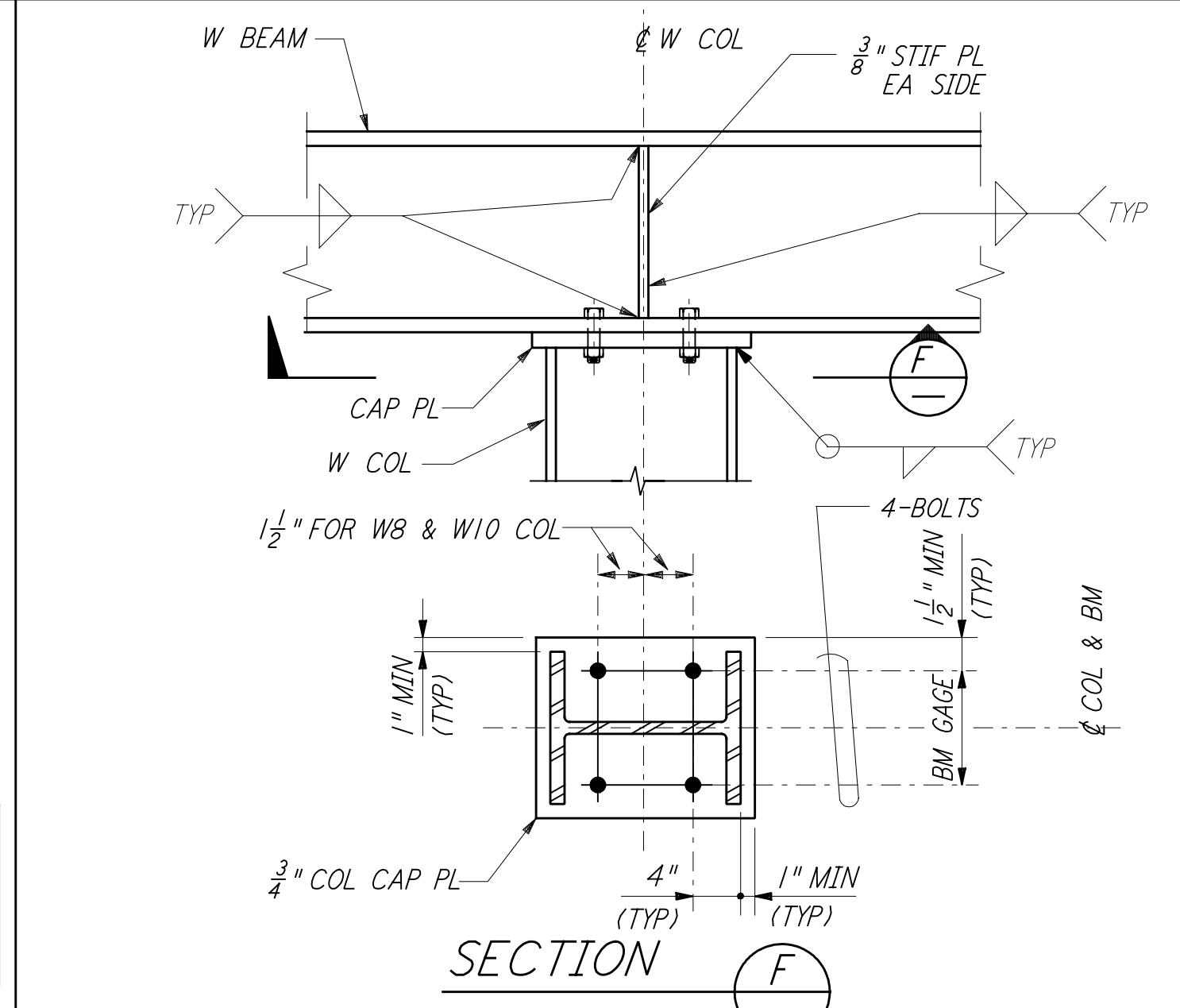
STRUT BEAM TO COLUMN CONNECTION DETAIL (9)



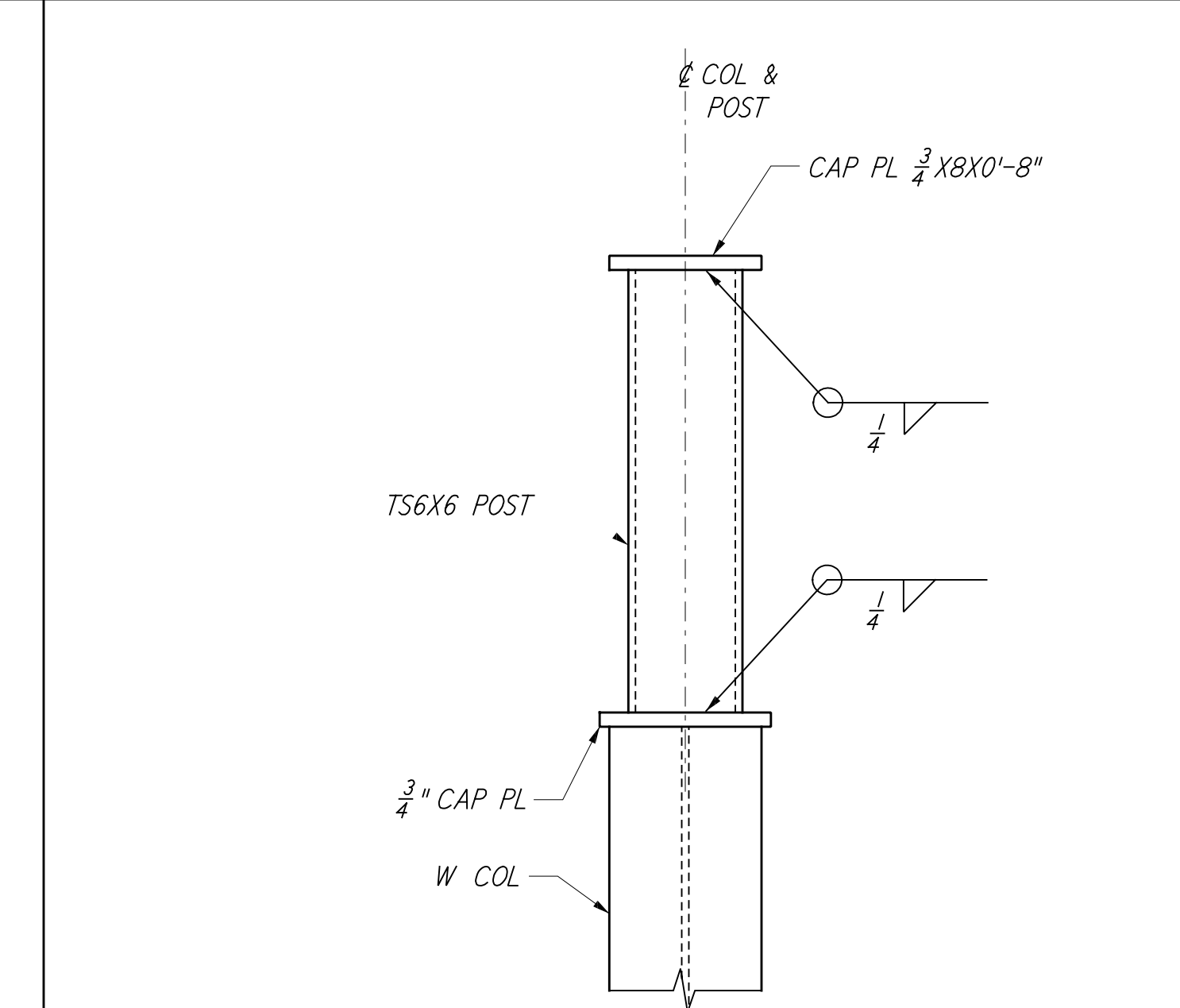
DETAIL (10)



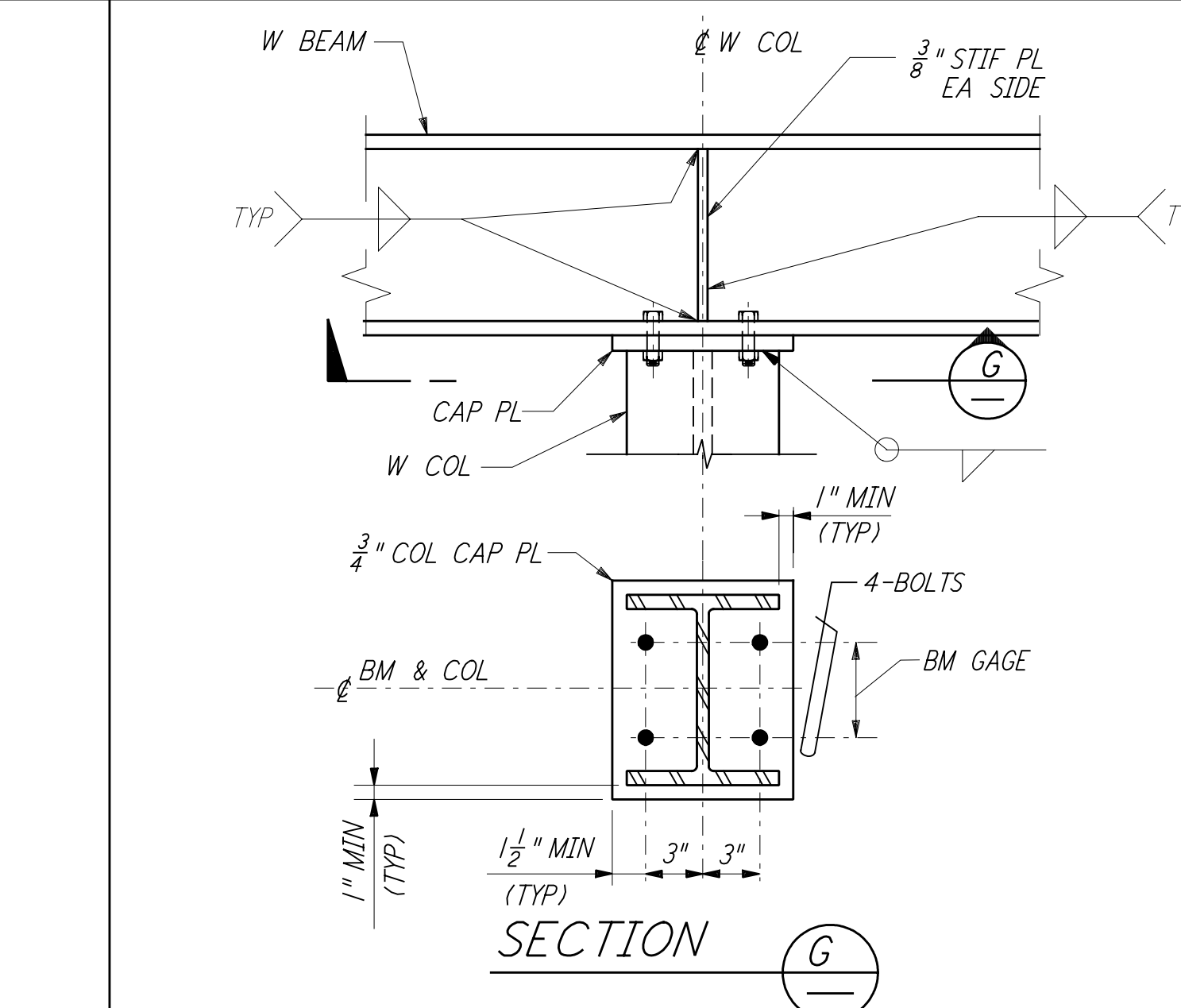
BEAM TO COLUMN BOLTED MOMENT CONNECTION DETAIL (11)



BEAM TO COLUMN BOLTED CONNECTION DETAIL (12)



ROOF PLATFORM SUPPORT DETAIL (13)



BEAM TO COLUMN BOLTED CONNECTION DETAIL (14)

NOTES:  
 1. FOR GENERAL NOTES, ABBREVIATIONS AND SYMBOLS, SEE DRAWING S-100.

REV	NO.	DATE	BY	CHKD	ENGR	PROJ	DESCRIPTION
1	6-15-98	CKT					ISSUED FOR AS BUILT

ISSUED FOR CONSTRUCTION			
DRAWN	MCS	6-24-96	
CHECKED	DDM	7-2-96	
ENGINEER	BP	6-28-96	
PROJ	MDW	7-9-96	

AS-BUILT DRAWINGS

**PARSONS**  
 100 WEST WALNUT STREET  
 PASADENA, CALIFORNIA

**LIGO**  
 CALIFORNIA INSTITUTE OF TECHNOLOGY  
 MASSACHUSETTS INSTITUTE OF TECHNOLOGY

LASER INTERFEROMETER  
 GRAVITATIONAL-WAVE OBSERVATORY  
 SITE NO. I - HANFORD, WASHINGTON

TITLE	STRUCTURAL STANDARD	SHEET NUMBER	PP150969	PROJECT NUMBER	8094
	CONNECTION DETAILS SHEET I	SCALE	NONE	REVISIONS	
			<b>WA-S-004</b>		