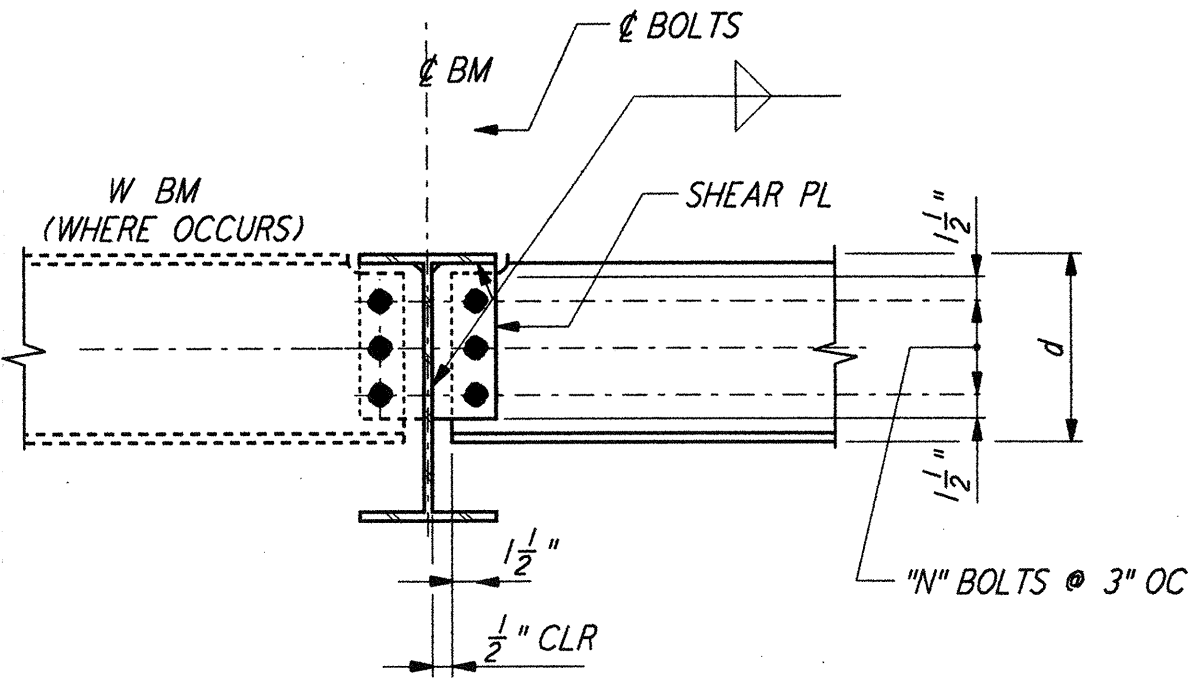


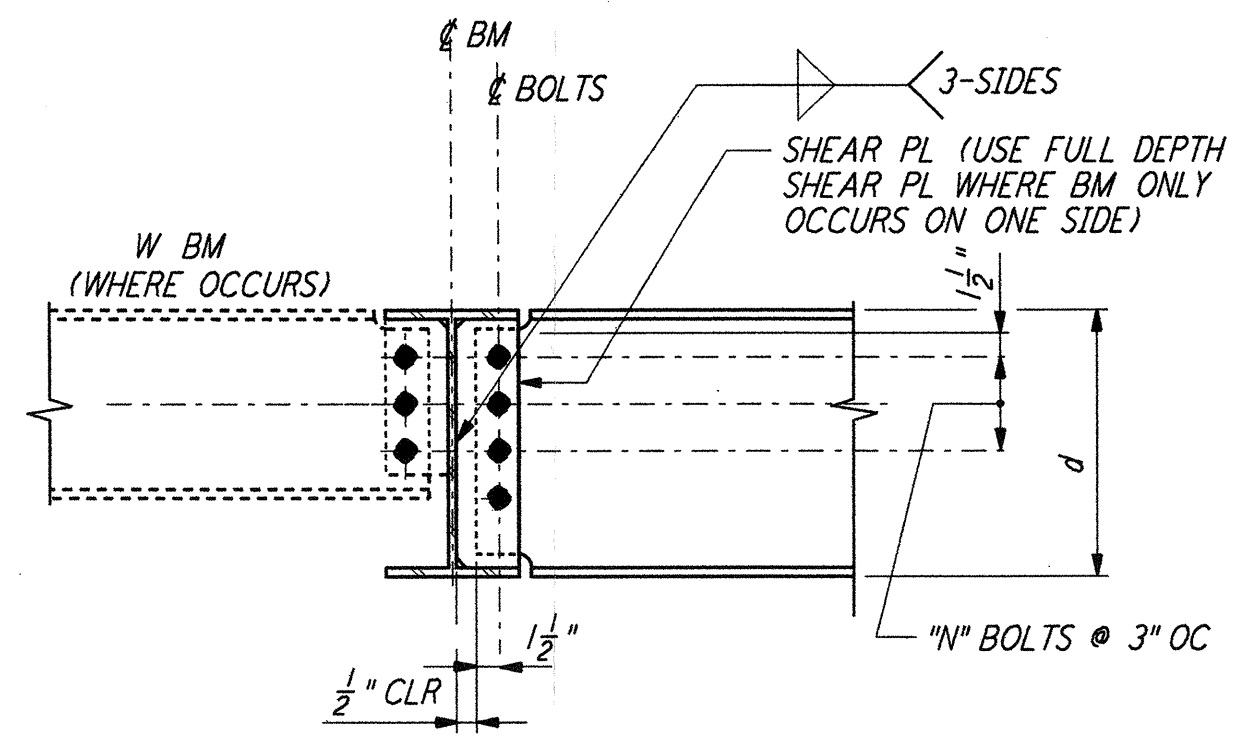
SCHEDULE	
d (IN)	NO OF BOLTS "N" IN BM WEB
4, 5, 6	2
8, 10	2
12, 14	3
16, 18	4
21, 24, 27	5
30, 33, 36	6

DOUBLE ANGLE SHEAR CONNECTIONS
 DETAIL 1



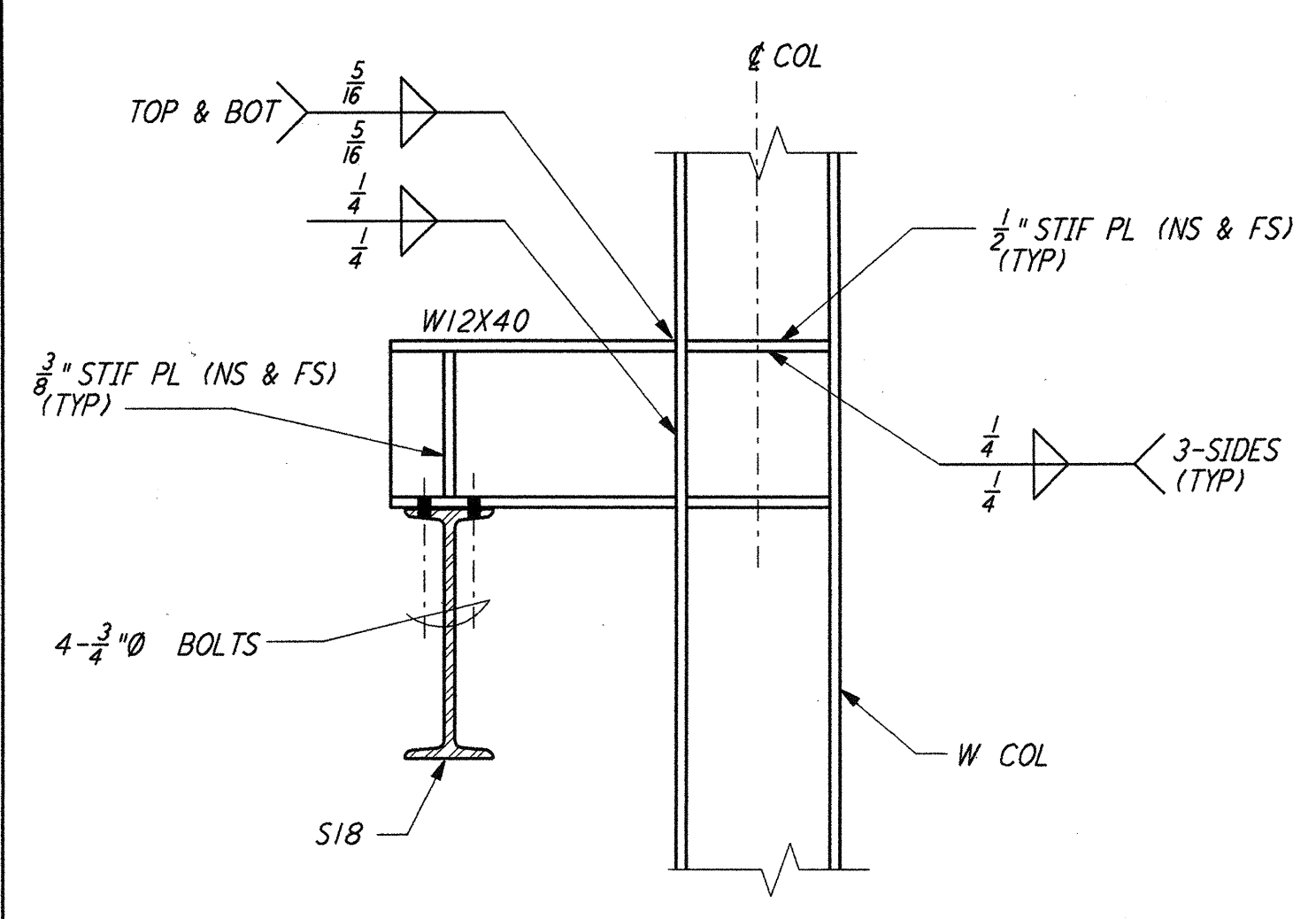
BOLTING SCHEDULE	
BEAM DEPTH d (INCHES)	NO OF BOLTS "N"
8, 10	2
12, 14	3
16, 18	4

ROOF PURLIN CONNECTION
 DETAIL 2

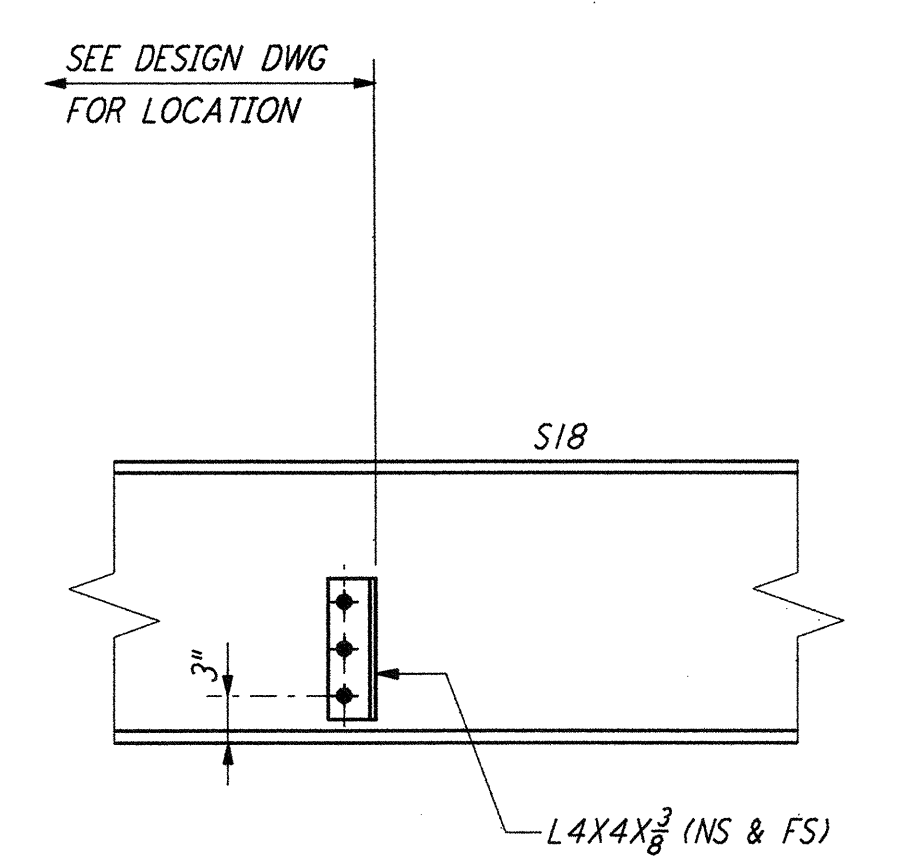


BOLTING SCHEDULE	
BEAM DEPTH d (INCHES)	NO OF BOLTS "N"
8, 10	2
12, 14	3
16, 18	4
21, 24, 27	5
30, 33, 36	6

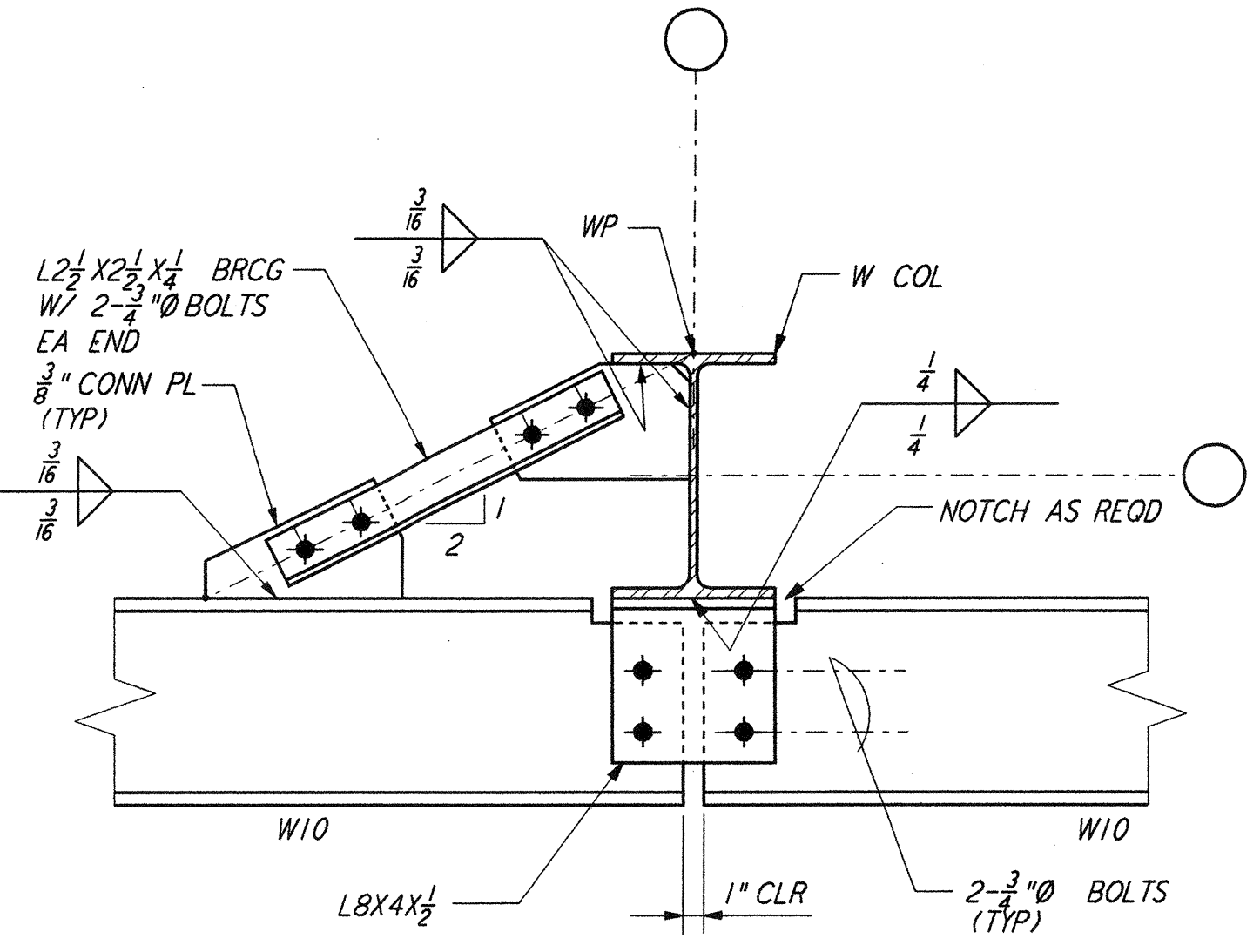
BEAM TO BEAM CONNECTION
 DETAIL 3



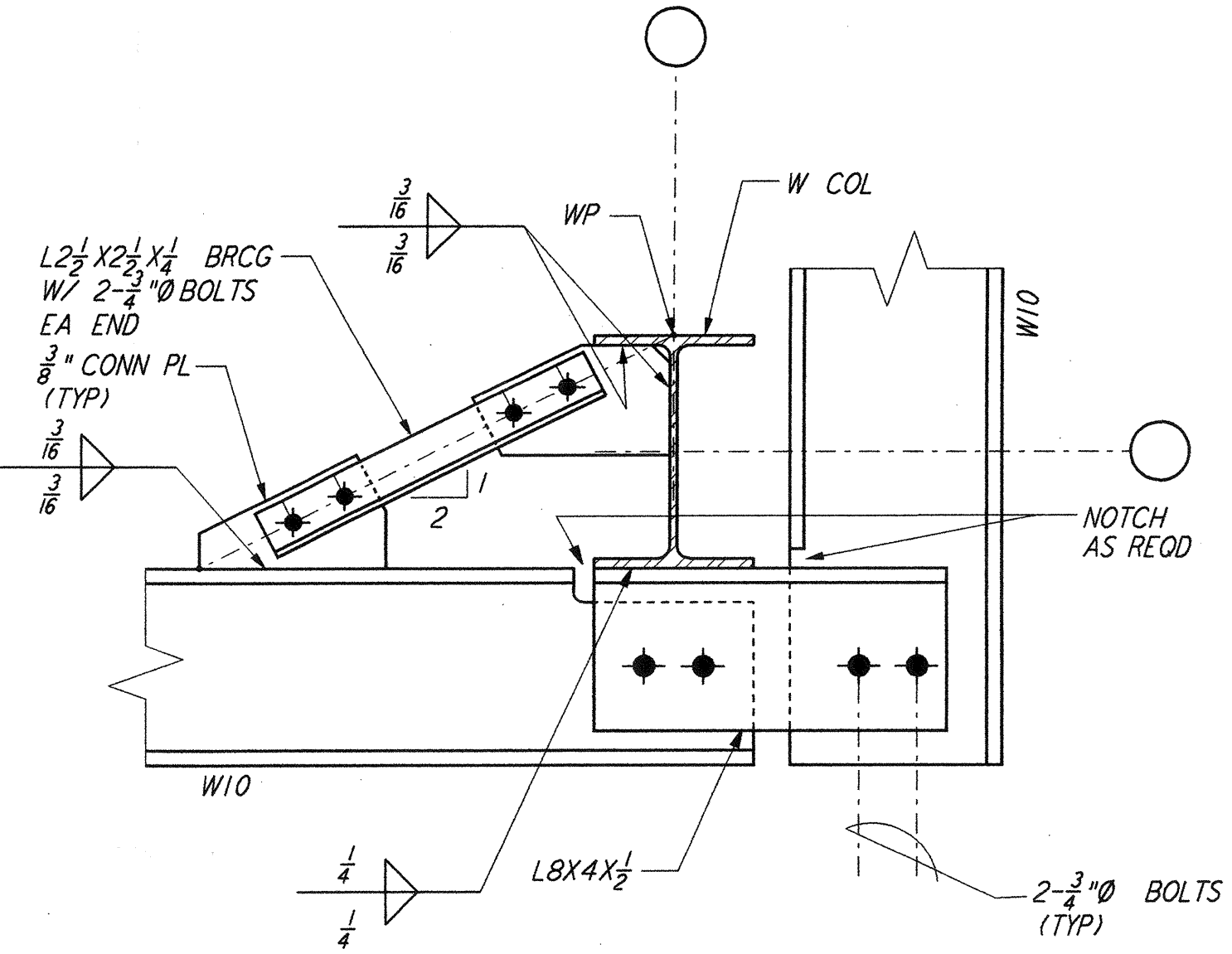
CRANE RUNWAY BEAM CONNECTION
 DETAIL 4



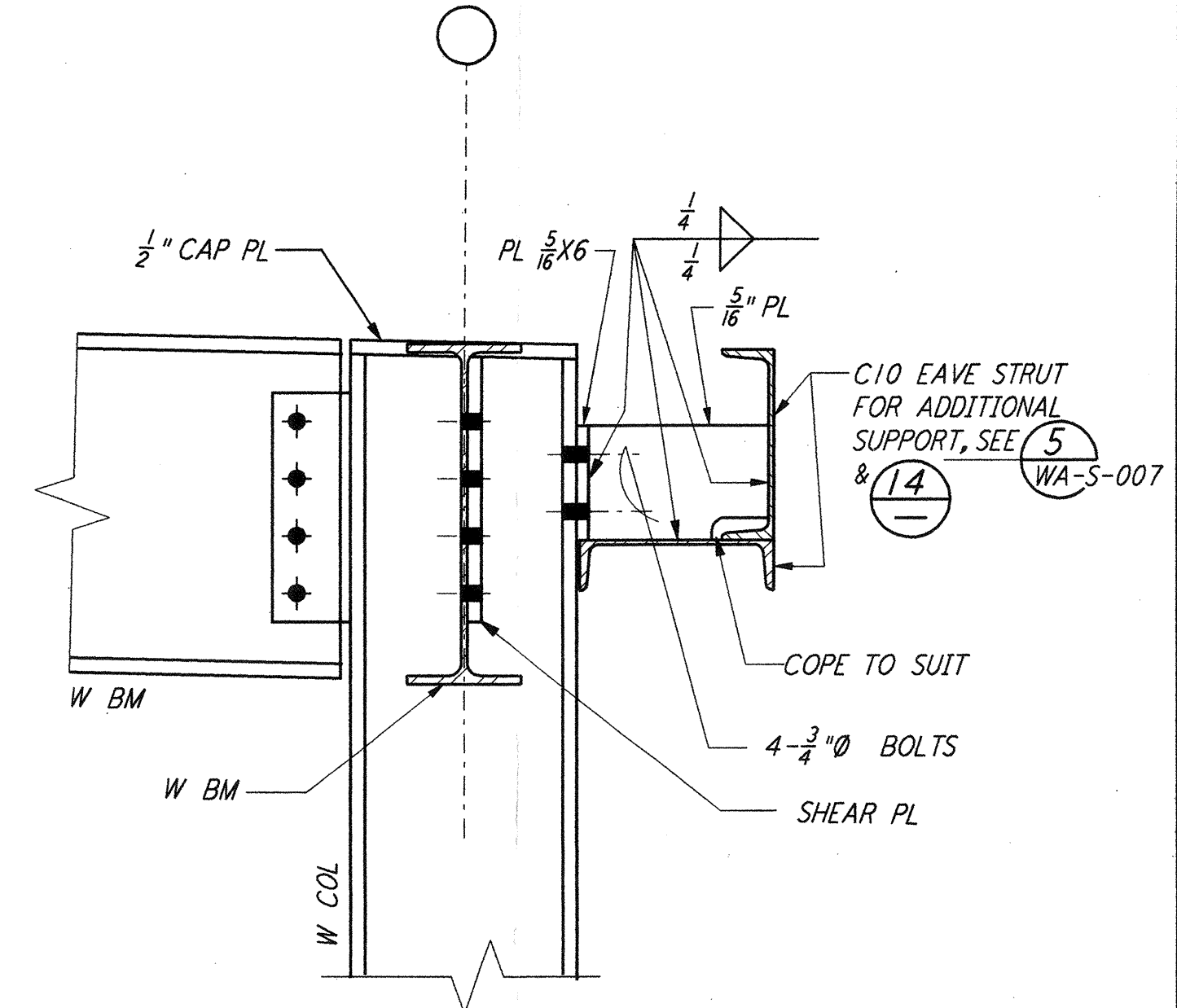
CRANE RUNWAY STOP DETAIL
 DETAIL 5



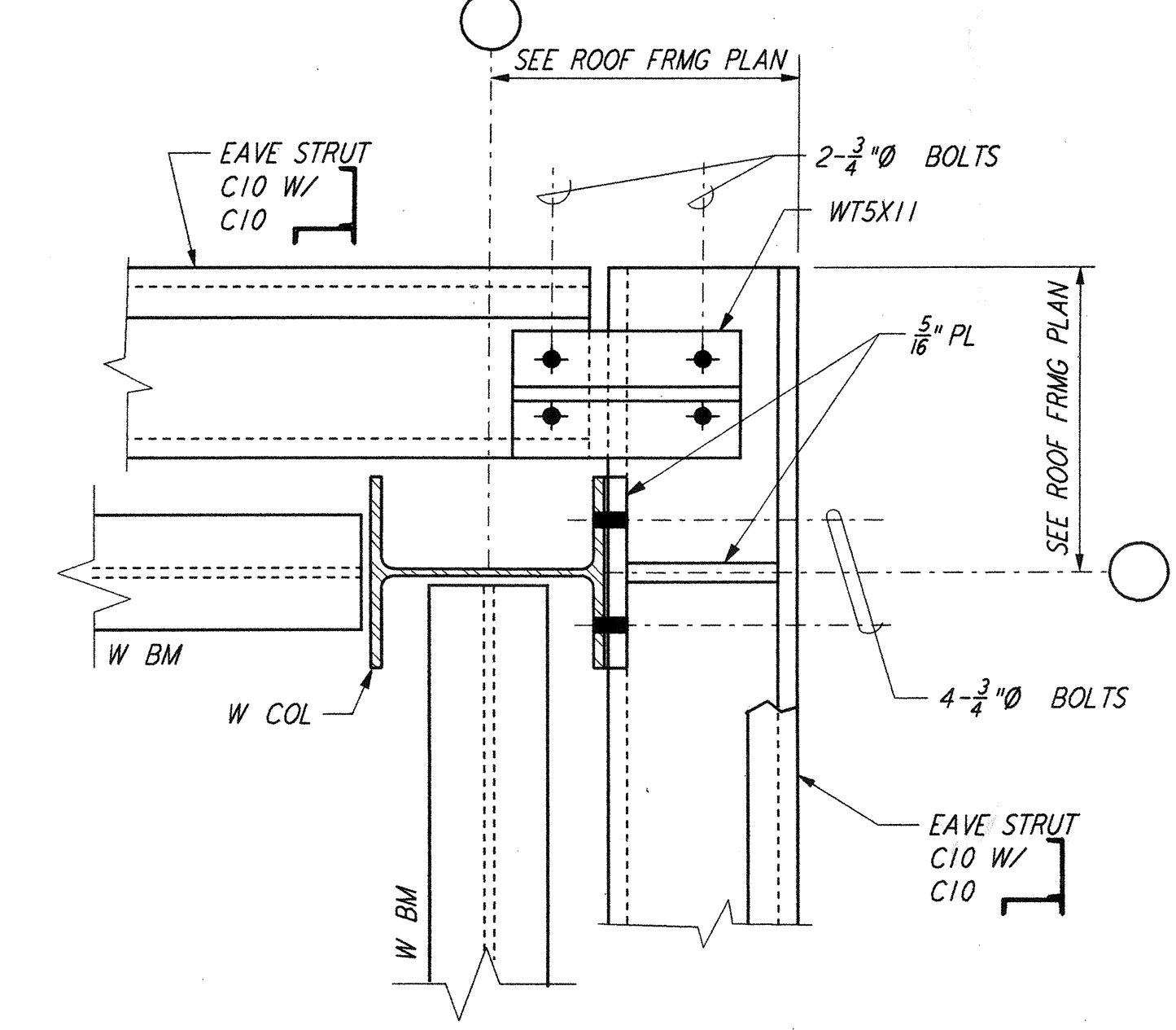
GIRT CONNECTION
 DETAIL 6



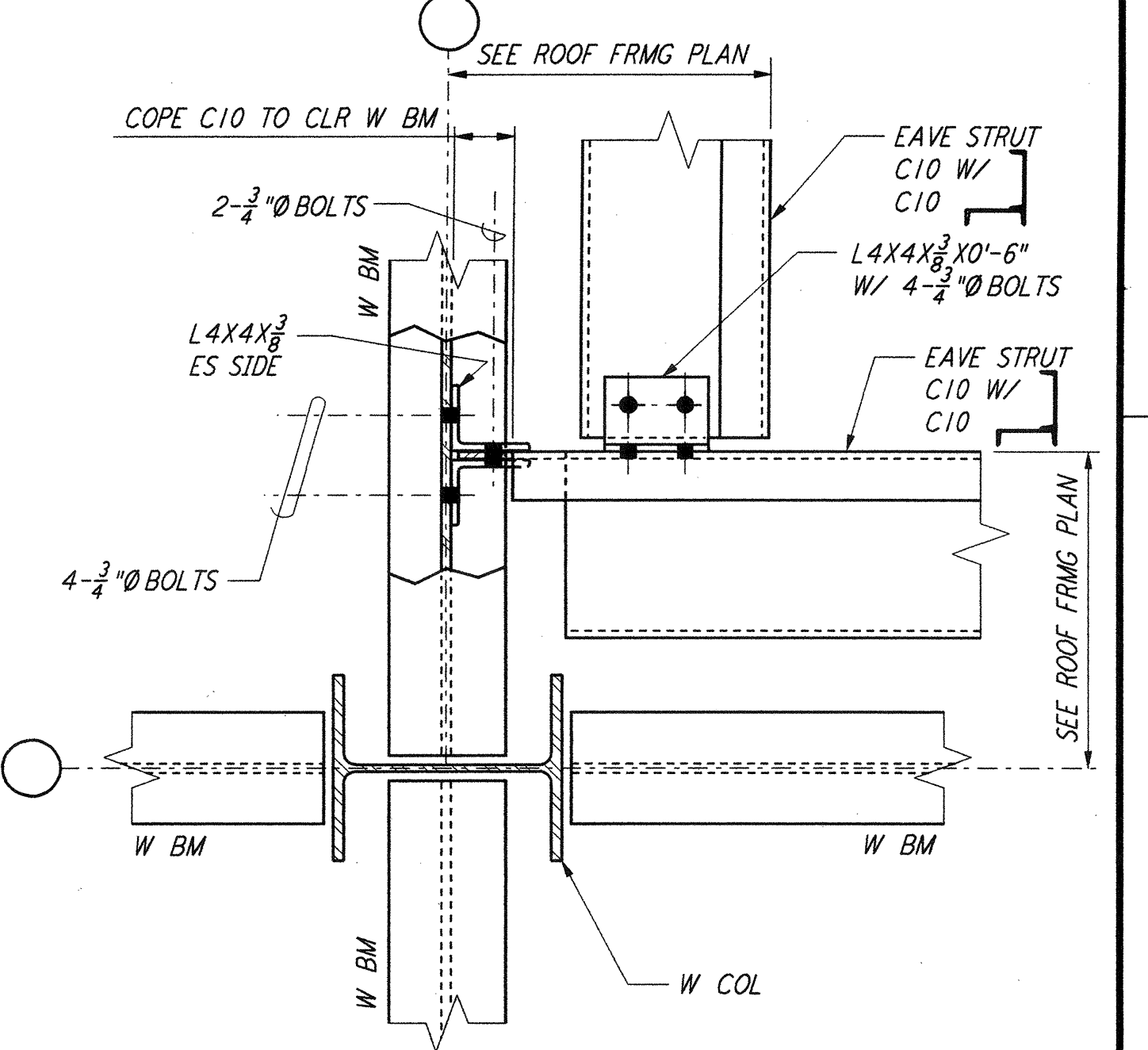
GIRT CONNECTION AT CORNER
 DETAIL 7



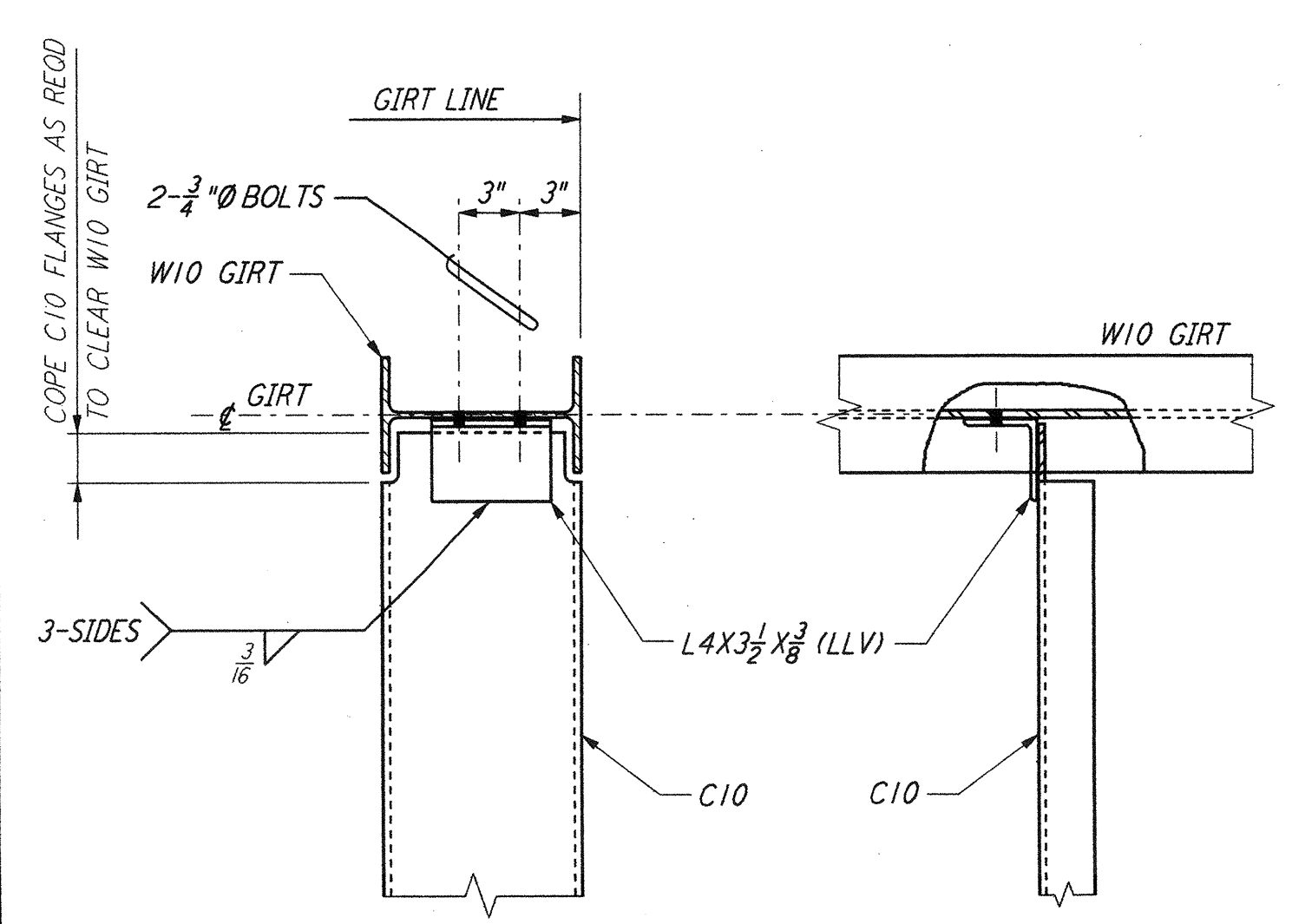
EAVE STRUT CONNECTION
 DETAIL 8



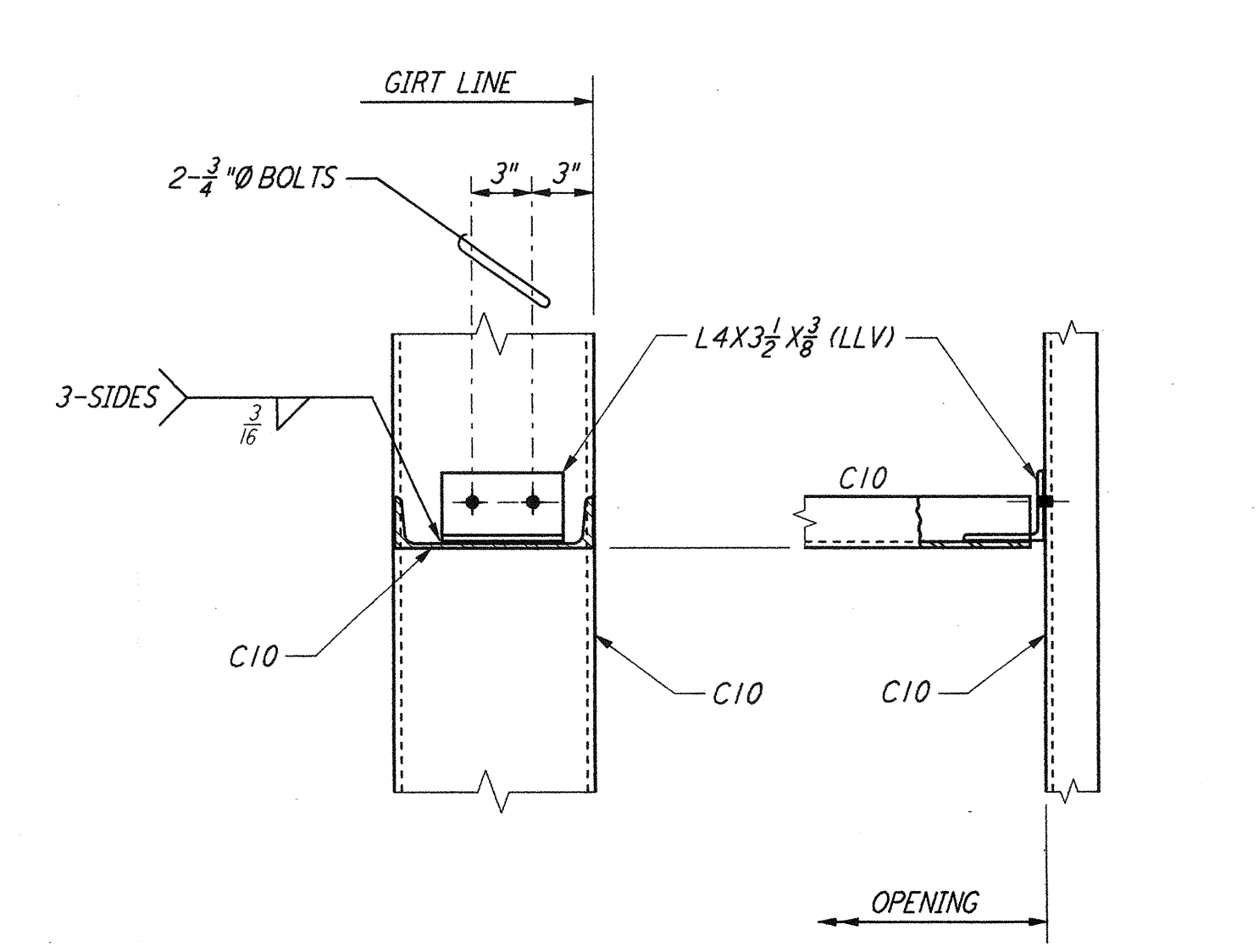
EAVE STRUT CONNECTION AT CORNER
 DETAIL 9



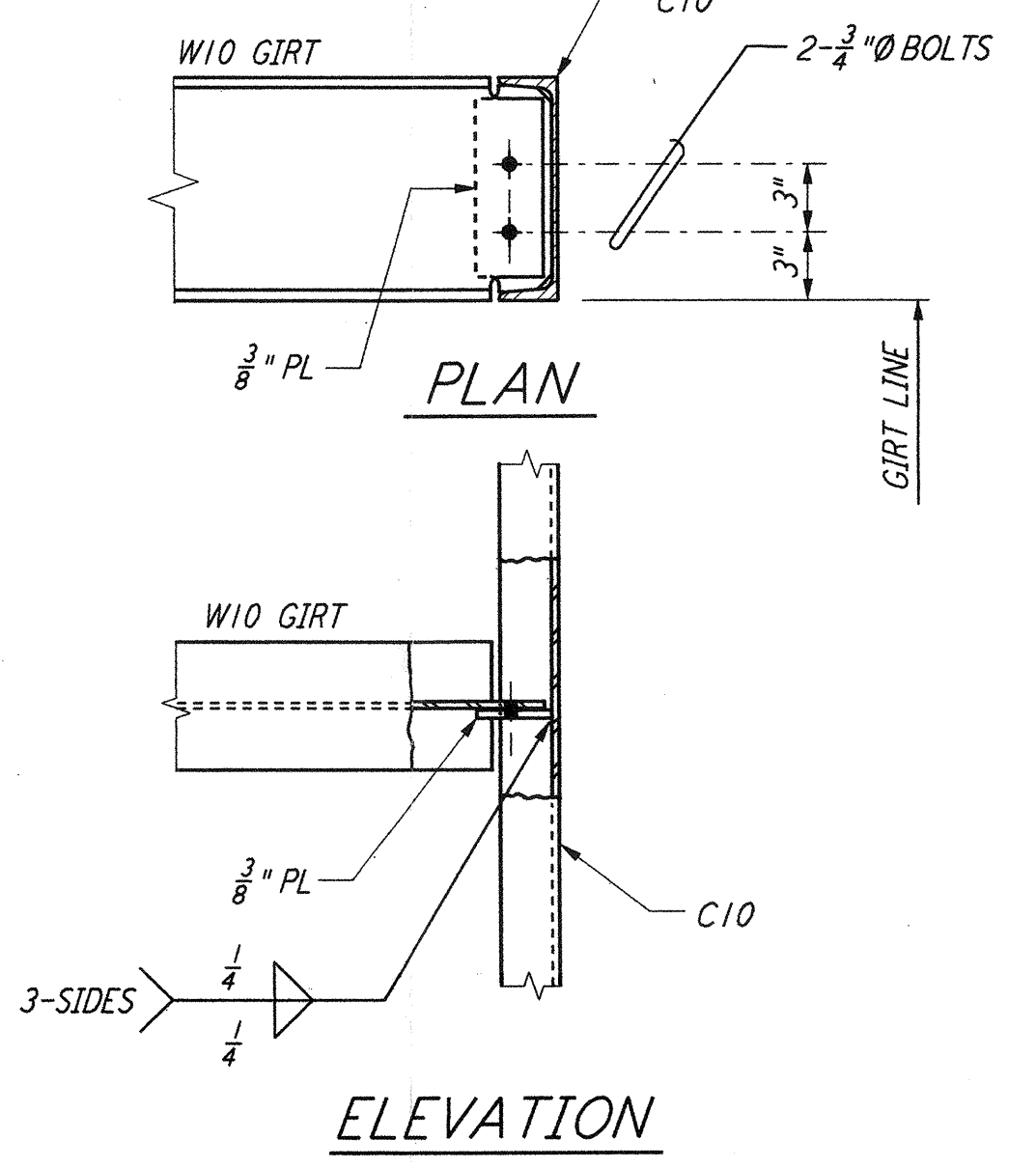
EAVE STRUT CONNECTION AT CORNER
 DETAIL 10



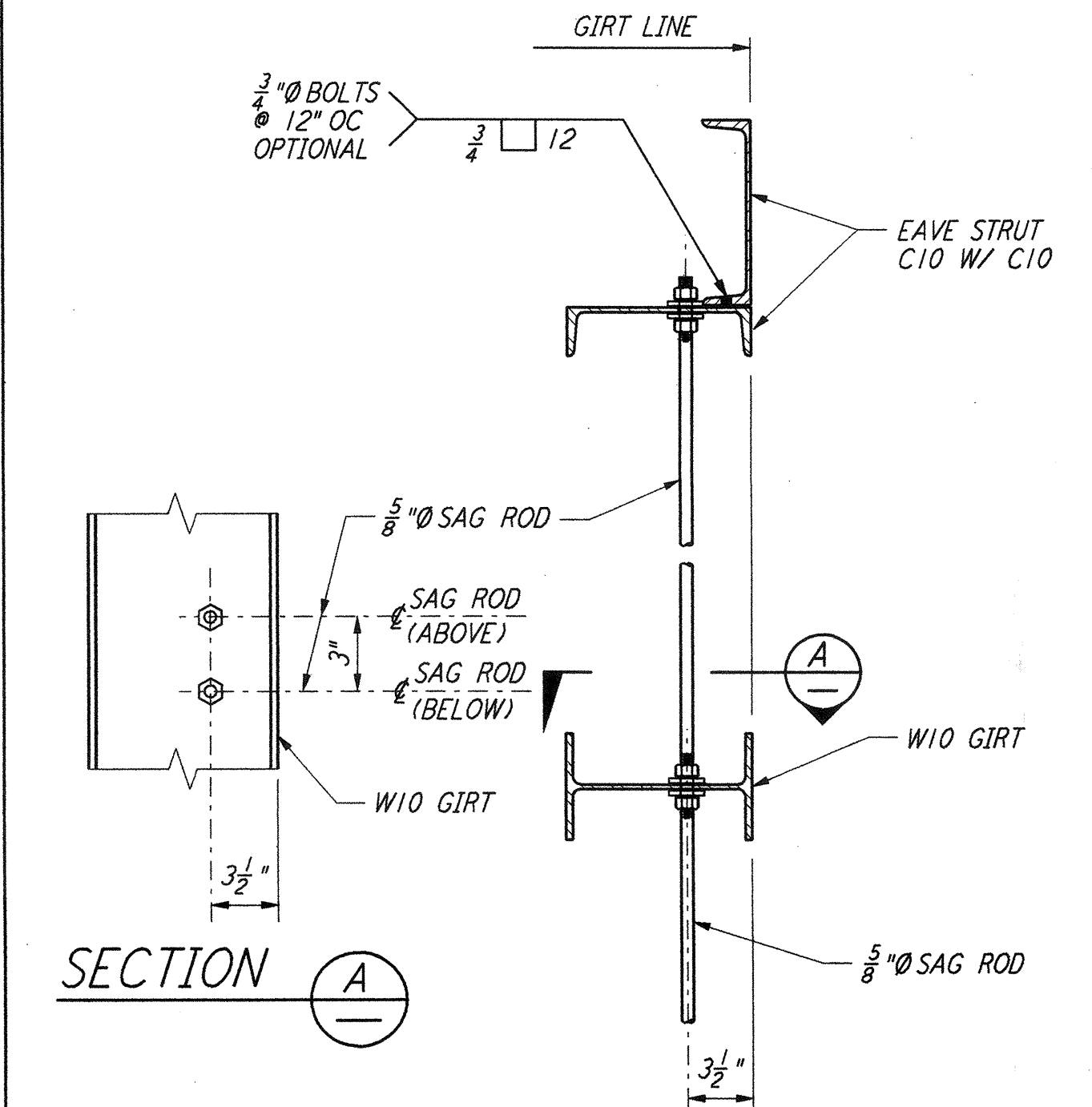
CHANNEL TO GIRT CONNECTION
 DETAIL 11



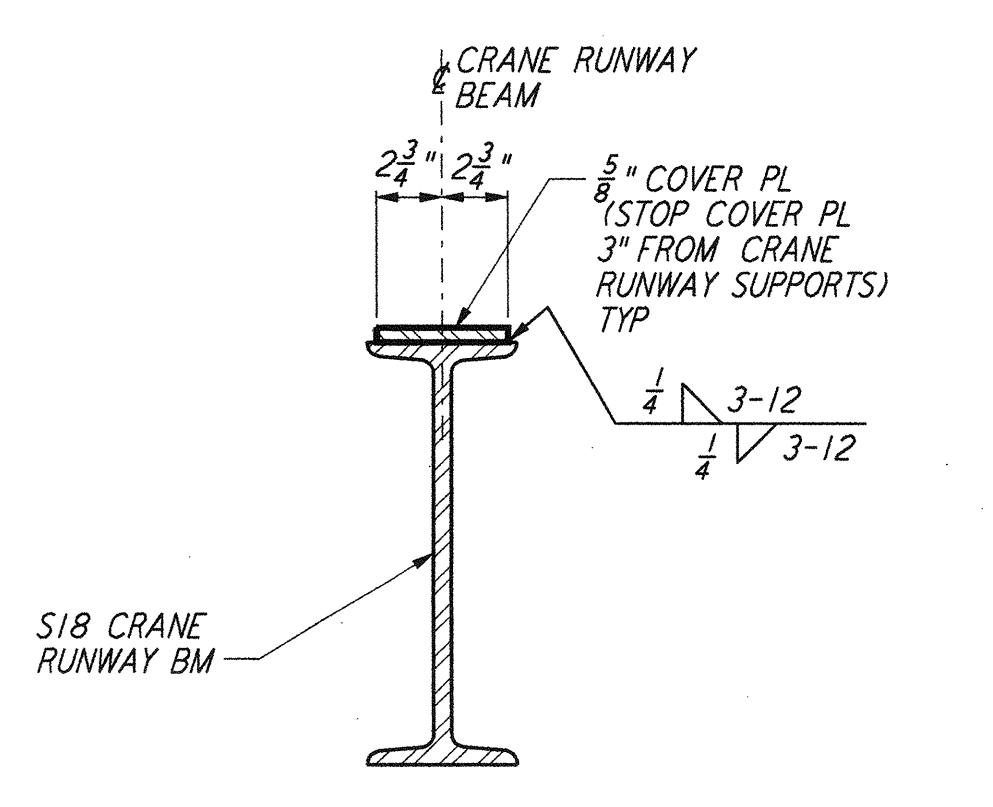
CHANNEL TO CHANNEL CONNECTION
 DETAIL 12



GIRT TO CHANNEL CONNECTION
 DETAIL 13



SAG RODS TO GIRTS CONNECTION
 DETAIL 14



CRANE RUNWAY BEAM
 DETAIL 15

NOTES:
 1. FOR GENERAL NOTES, ABBREVIATIONS AND SYMBOLS, SEE DRAWING S-001.

NO.	DATE	BY	CHKD	ENGR	PROJ	DESCRIPTION
1	6-15-98	CKT	BP	BP	BP	ISSUED FOR AS-BUILT

ISSUED FOR CONSTRUCTION
 DRAWN MCS 6-24-96
 CHECKED DDM 7-2-96
 ENGINEER BP 6-28-96
 PROJ MWD 7-9-96

AS-BUILT DRAWINGS

PARSONS
 100 WEST WALNUT STREET
 PASADENA, CALIFORNIA

LIGO
 CALIFORNIA INSTITUTE OF TECHNOLOGY
 MASSACHUSETTS INSTITUTE OF TECHNOLOGY

LIGO-D960290-01-0
 LASER INTERFEROMETER
 GRAVITATIONAL-WAVE OBSERVATORY
 SITE NO. 1 - HANFORD, WASHINGTON

TITLE	SCALE	CONTRACT NUMBER	PROJECT NUMBER
STRUCTURAL STANDARD STRUCTURAL STEEL CONNECTION DETAILS SHEET 2	NONE	PP150969	8094
SHEET NUMBER	REVISIONS	WA-S-005	

This document and the design it covers are the property of PARSONS. They are loaned only with the borrower's expressed written agreement that they will not be reproduced, copied, loaned, exhibited, or used in any other way, except by written consent from PARSONS to the borrower.

Mon Jul 06 15:42:50 1998 C:\PLOT\JOB\53\3862.DWG 52005 KAV3622 145054prf