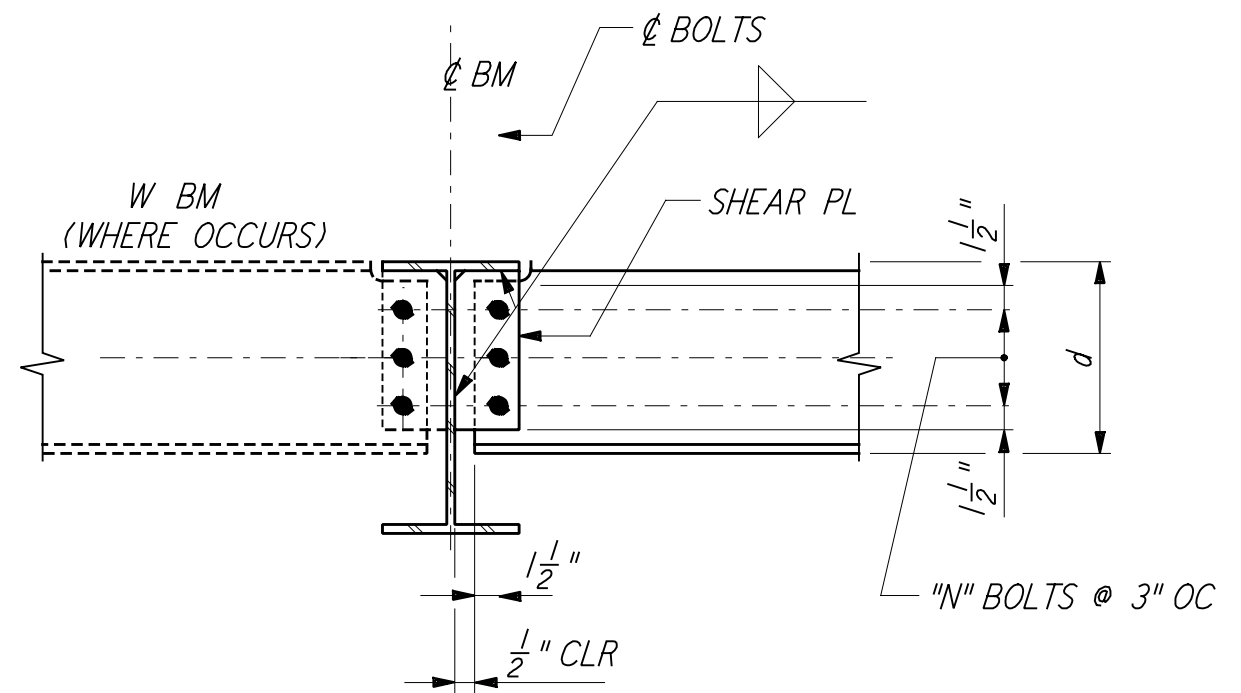


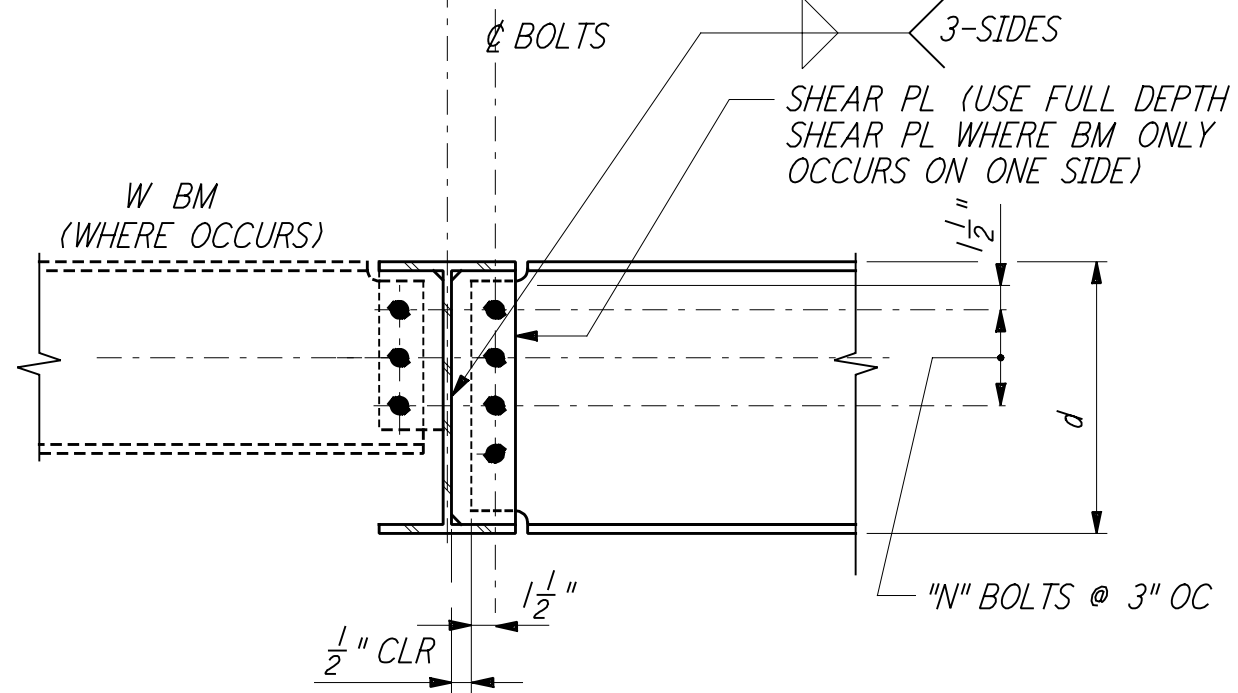
SCHEDULE	
d (IN)	NO. OF BOLTS "N" IN BM WEB
4, 5, 6	2
8, 10	2
12, 14	3
16, 18	4
21, 24, 27	5
30, 33, 36	6

DOUBLE ANGLE SHEAR CONNECTIONS
 DETAIL 1



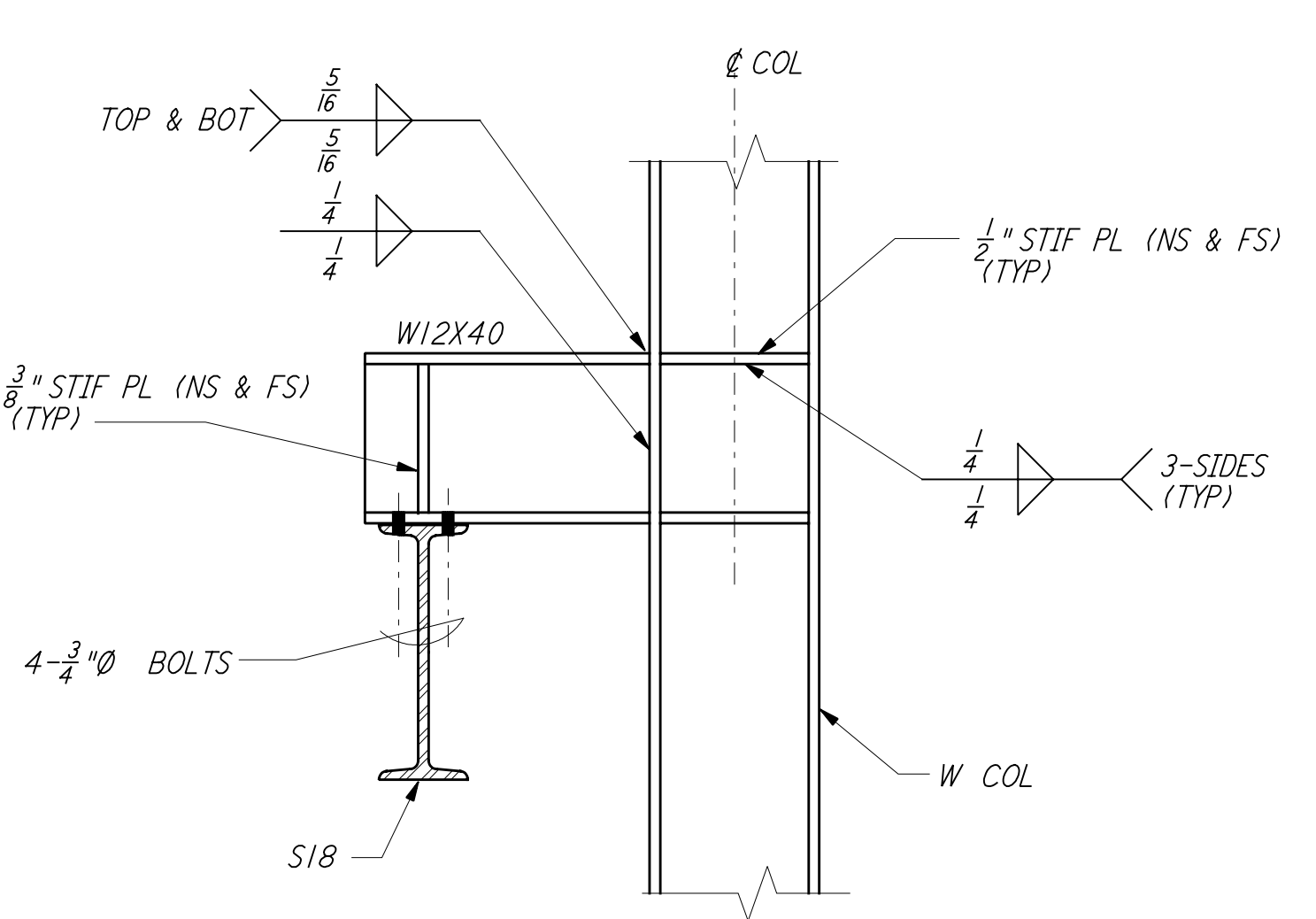
BOLTING SCHEDULE	
BEAM DEPTH d (INCHES)	NO. OF BOLTS "N"
8, 10	2
12, 14	3
16, 18	4

ROOF PURLIN CONNECTION
 DETAIL 2

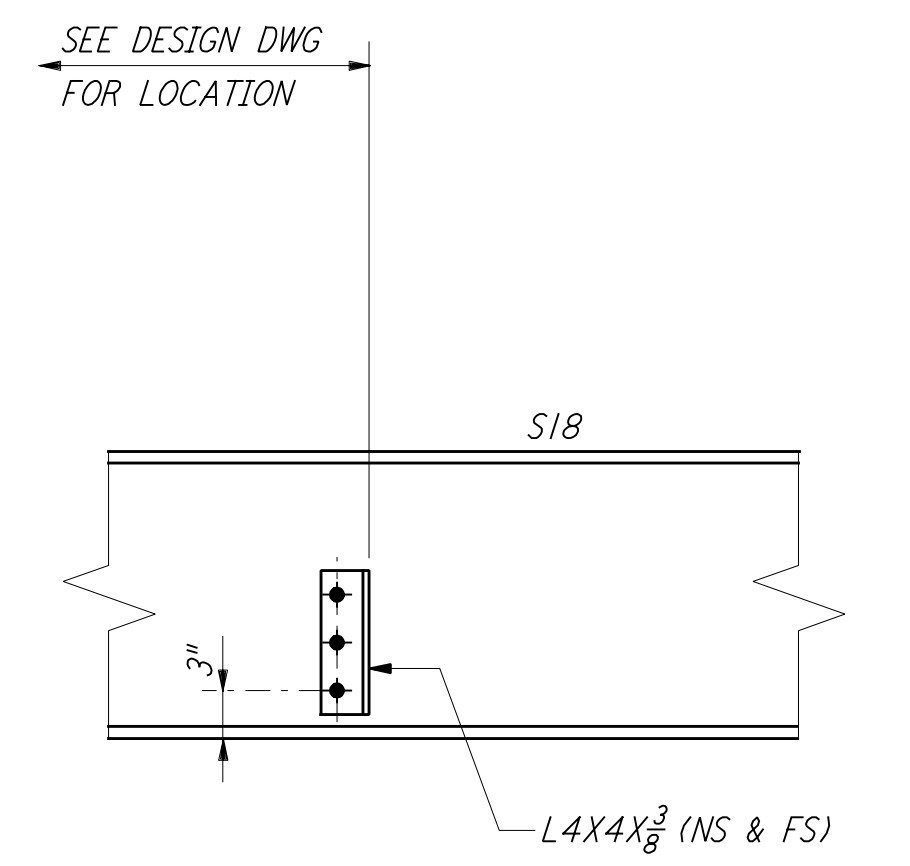


BOLTING SCHEDULE	
BEAM DEPTH d (INCHES)	NO. OF BOLTS "N"
8, 10	2
12, 14	3
16, 18	4
21, 24, 27	5
30, 33, 36	6

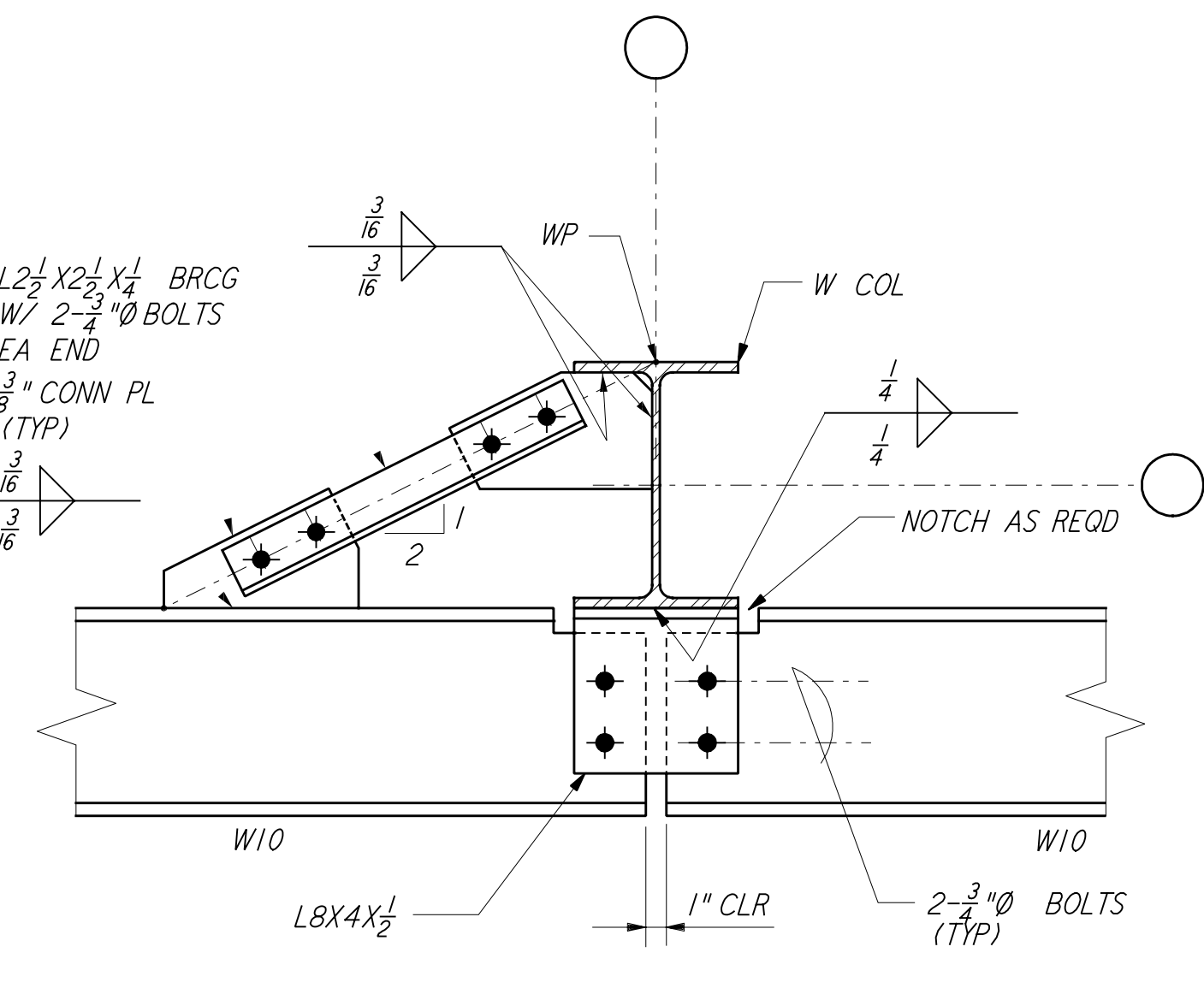
BEAM TO BEAM CONNECTION
 DETAIL 3



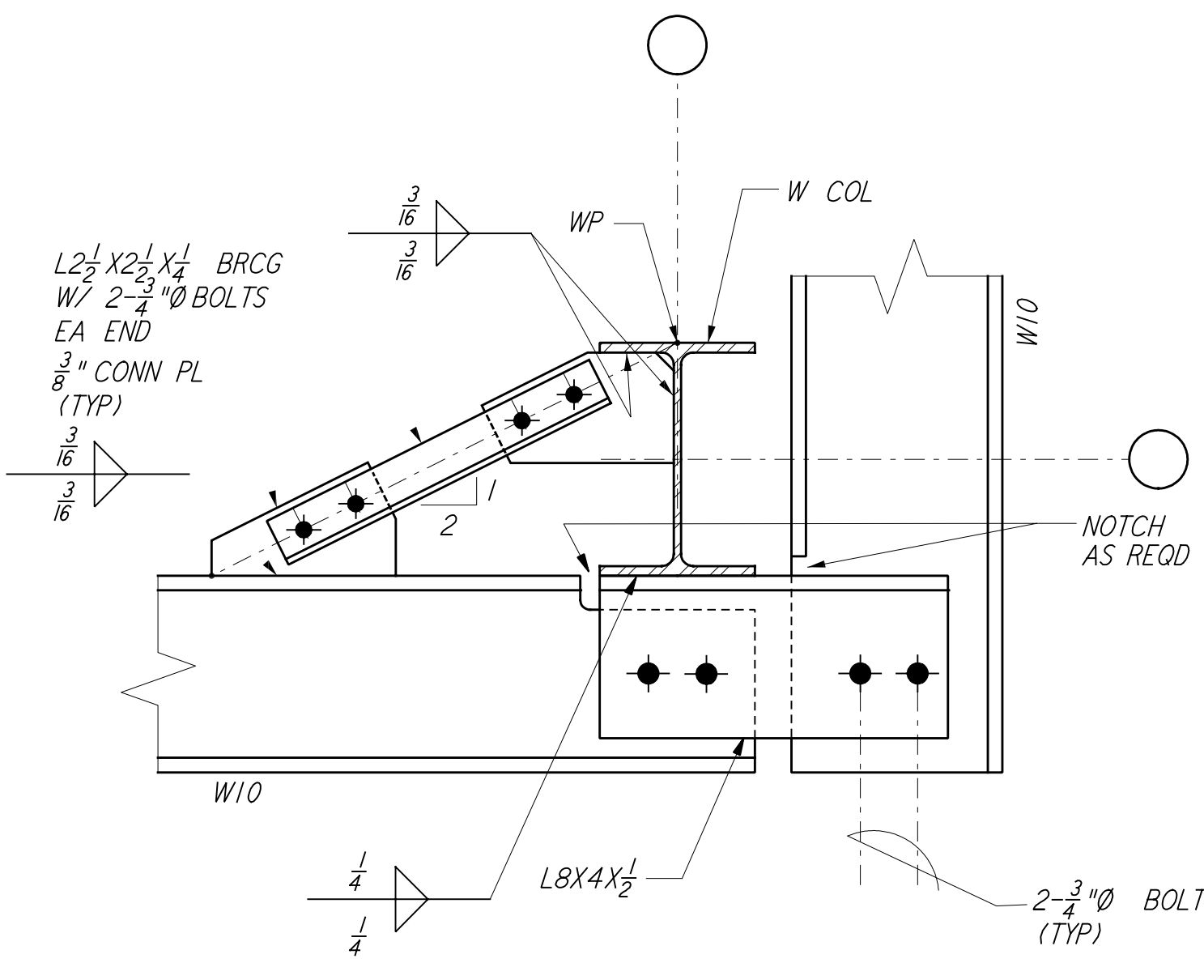
CRANE RUNWAY BEAM CONNECTION
 DETAIL 4



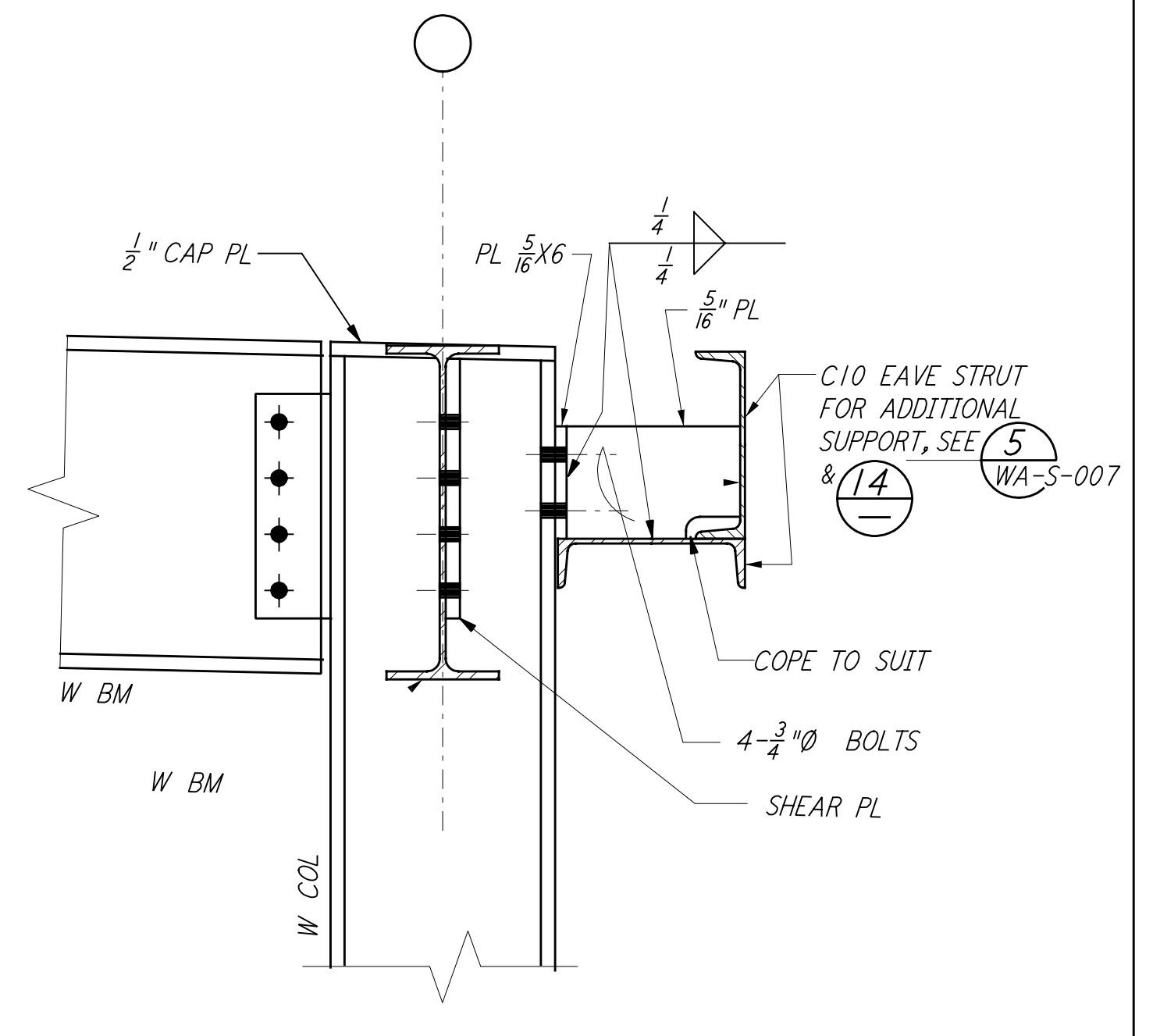
CRANE RUNWAY STOP DETAIL
 DETAIL 5



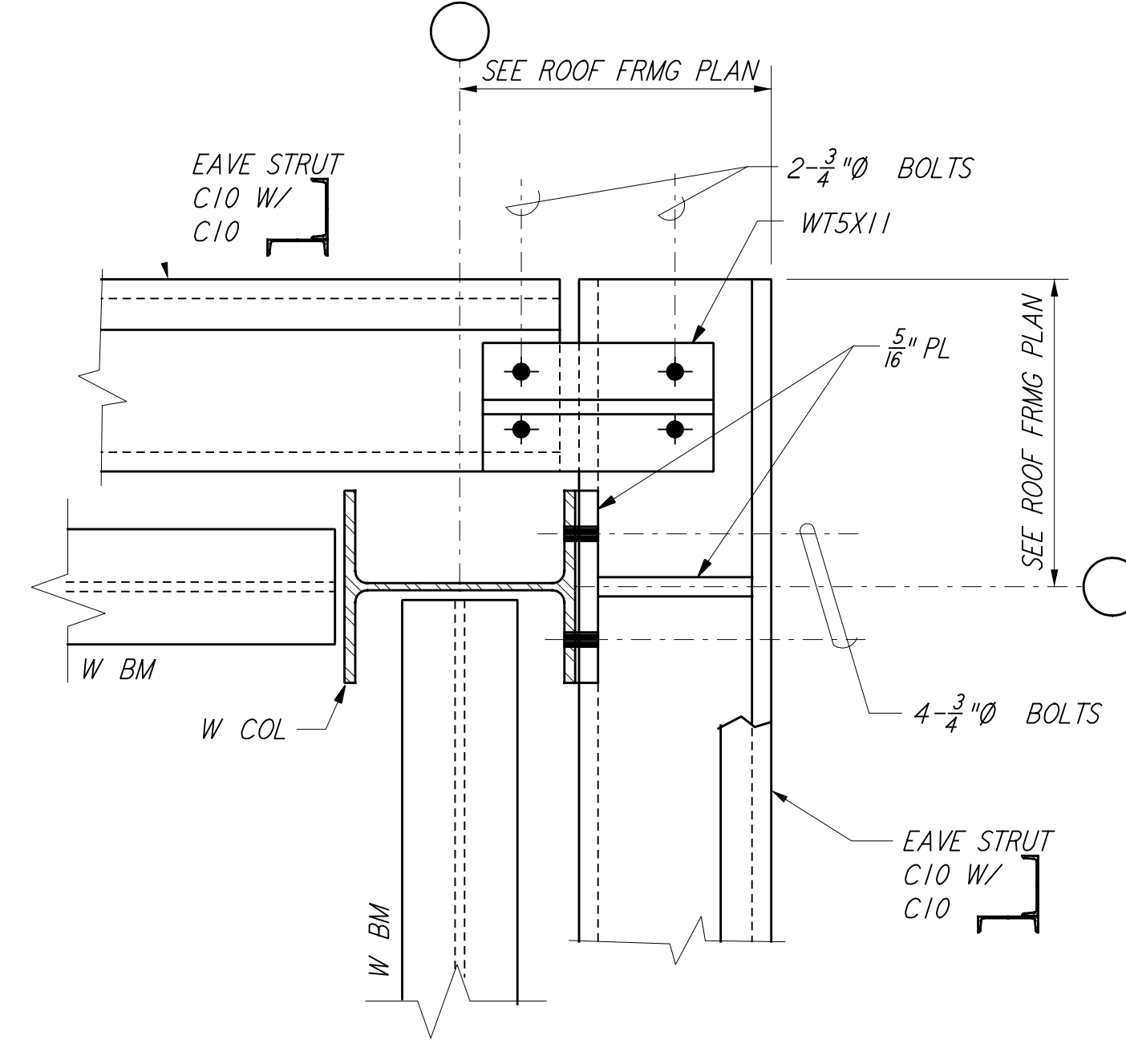
GIRT CONNECTION
 DETAIL 6



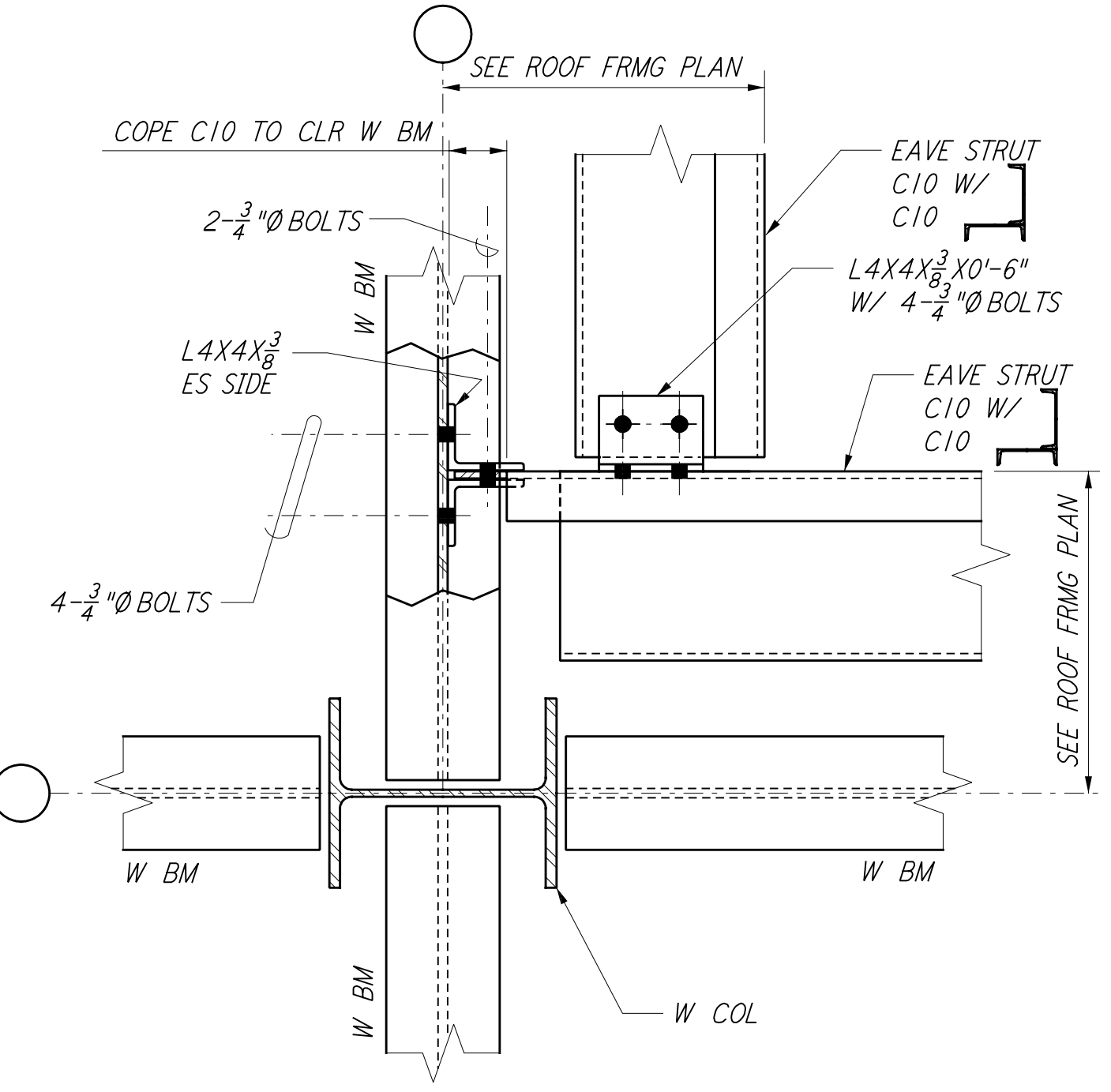
GIRT CONNECTION AT CORNER
 DETAIL 7



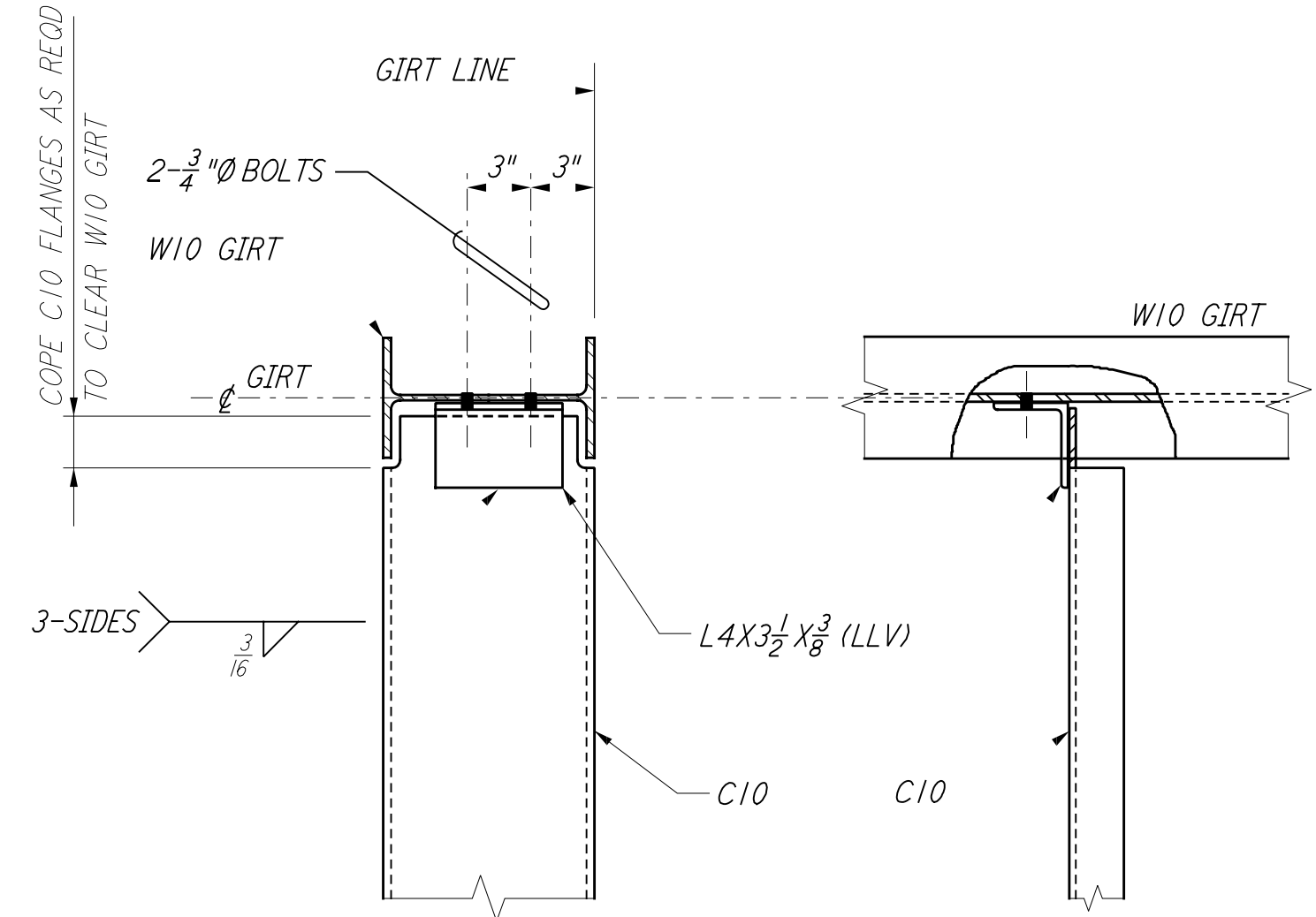
EAVE STRUT CONNECTION
 DETAIL 8



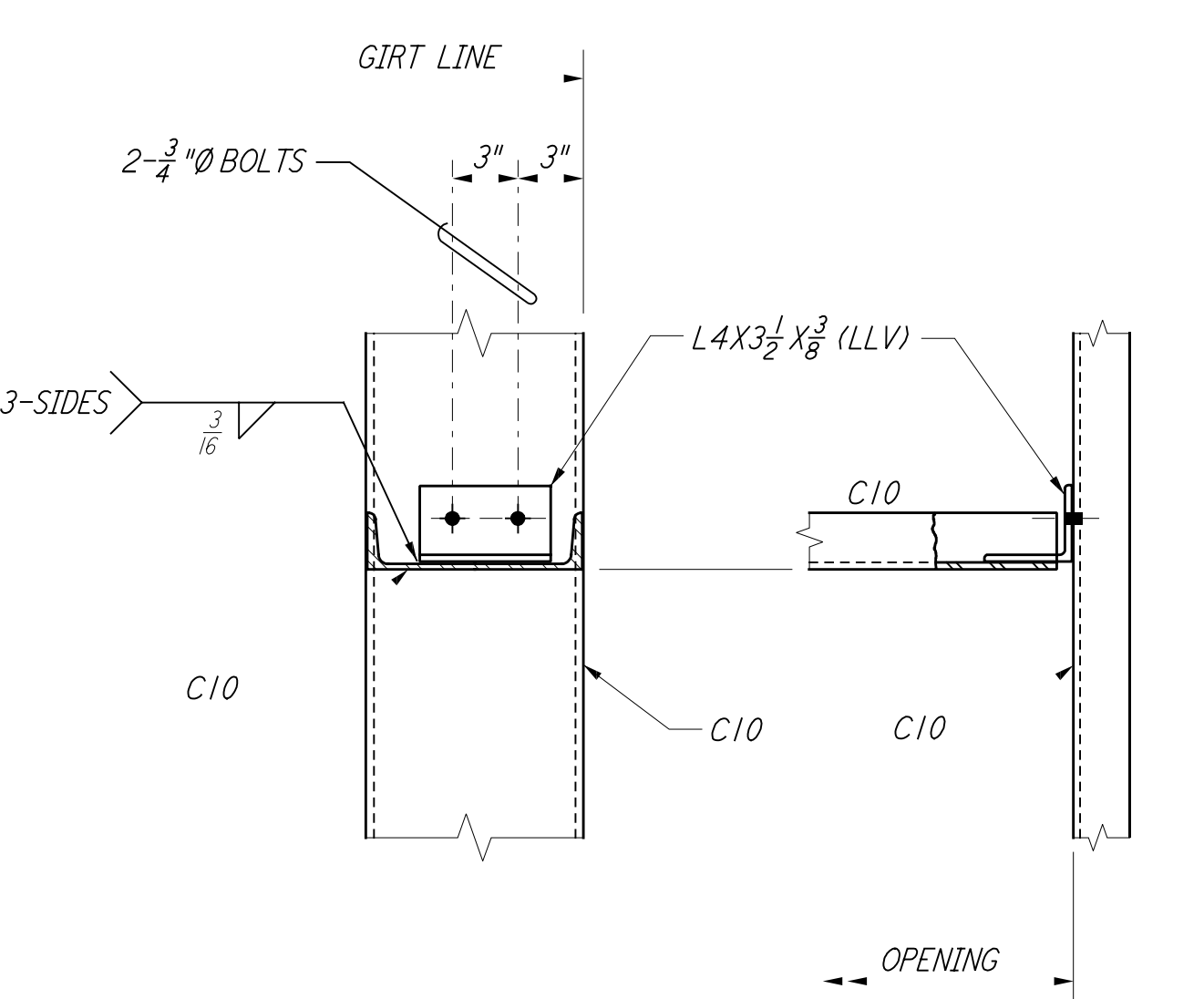
EAVE STRUT CONNECTION AT CORNER
 DETAIL 9



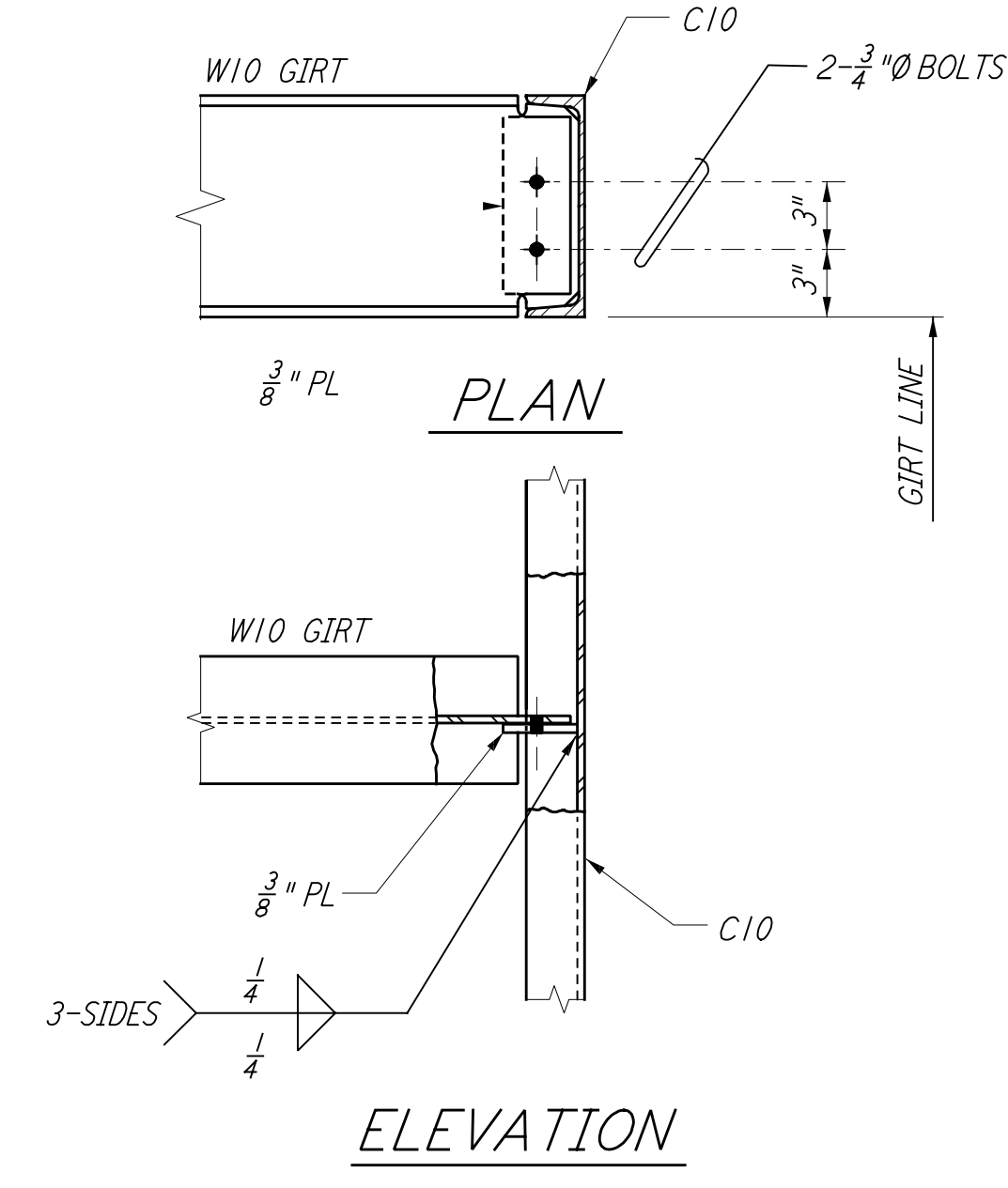
EAVE STRUT CONNECTION AT CORNER
 DETAIL 10



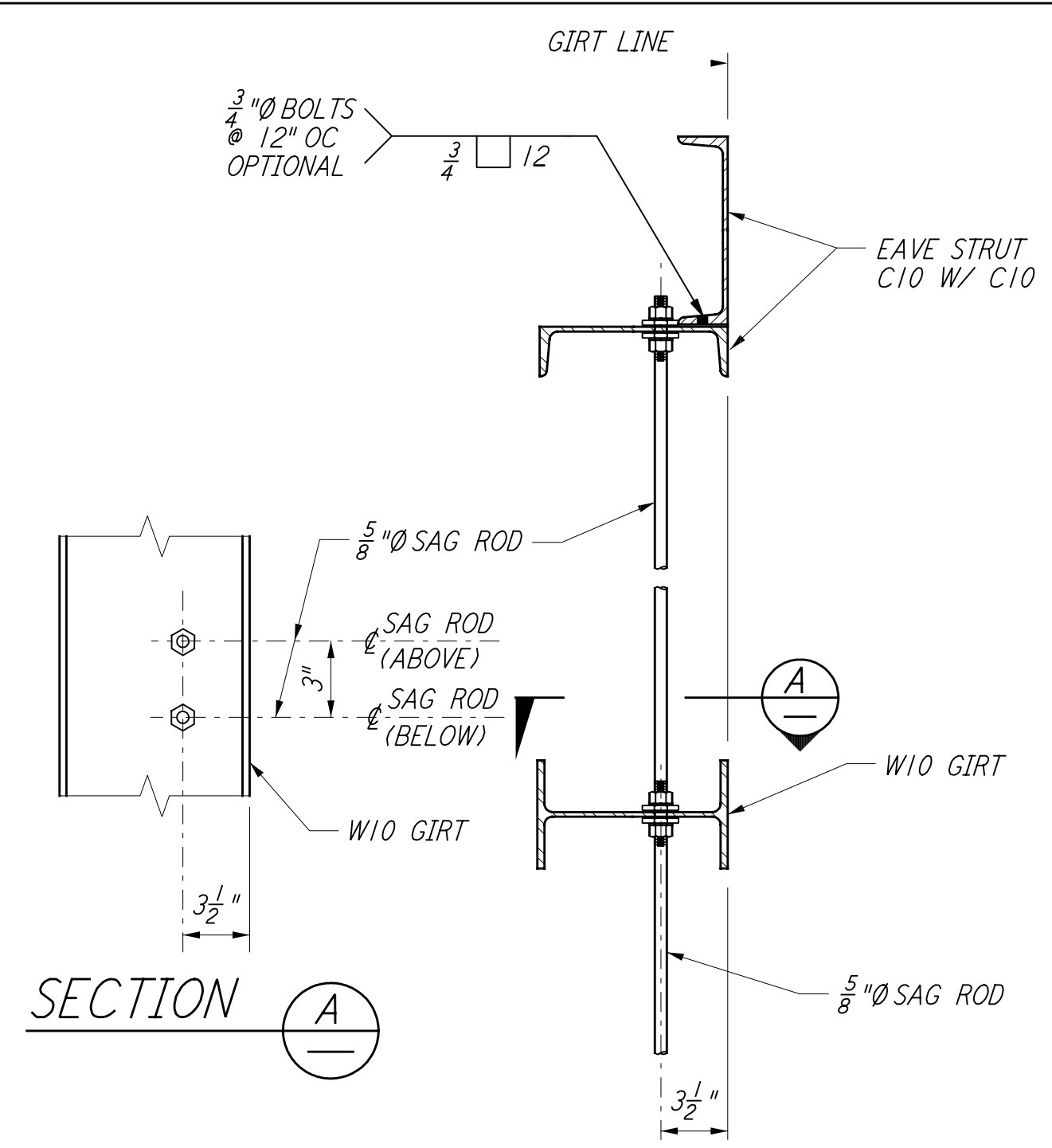
CHANNEL TO GIRT CONNECTION
 DETAIL 11



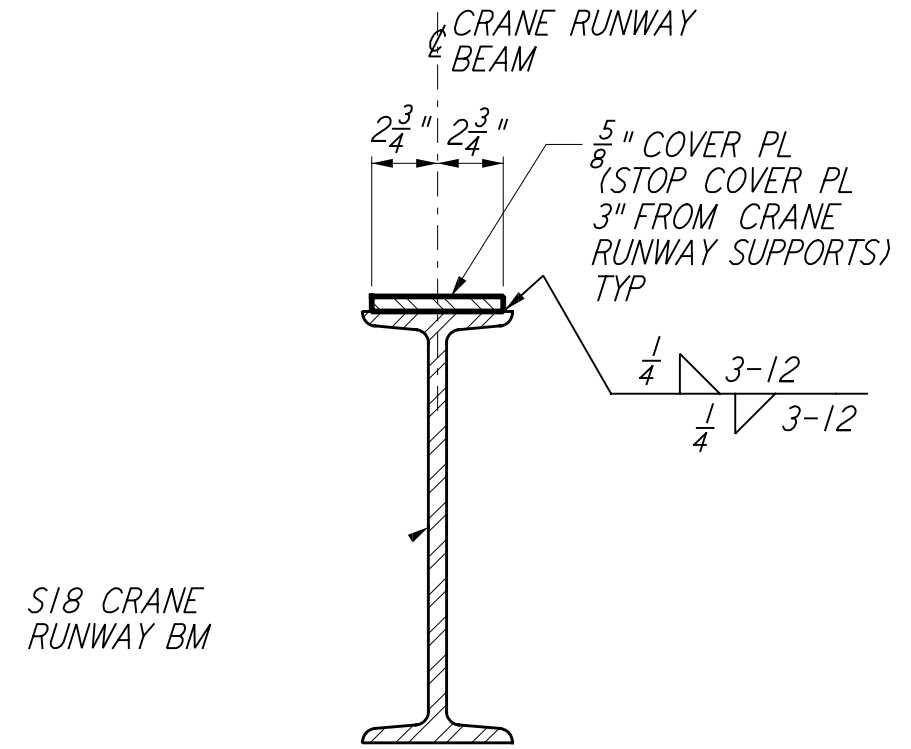
CHANNEL TO CHANNEL CONNECTION
 DETAIL 12



GIRT TO CHANNEL CONNECTION
 DETAIL 13



SAG RODS TO GIRTS CONNECTION
 DETAIL 14



CRANE RUNWAY BEAM
 DETAIL 15

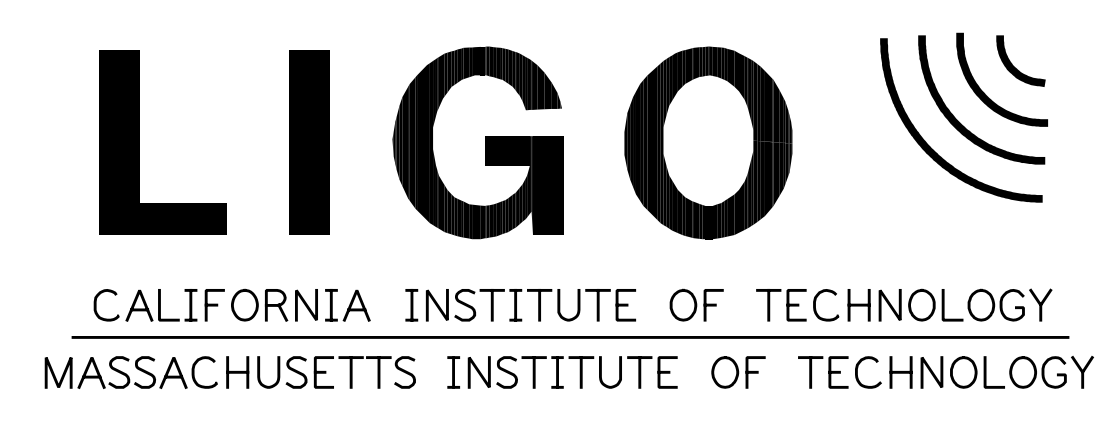
NOTES:
 1. FOR GENERAL NOTES, ABBREVIATIONS AND SYMBOLS, SEE DRAWING S-001.

This document and the design it covers are the property of PARSONS. They are loaned only with the borrower's expressed written agreement that they will not be reproduced, copied, loaned, exhibited, or used in any other way, except by written consent from PARSONS to the borrower.

This document and the design it covers are the property of PARSONS. They are loaned only with the borrower's expressed written agreement that they will not be reproduced, copied, loaned, exhibited, or used in any other way, except by written consent from PARSONS to the borrower.

REV	NO.	DATE	BY	CHKD	ENGR	PROJ	DESCRIPTION
1	6-15-98	CKT					ISSUED FOR AS-BUILT

ISSUED FOR CONSTRUCTION
 DRAWN MCS 6-24-96
 CHECKED DDM 7-2-96
 ENGINEER BP 6-28-96
 PROJ MWD 7-9-96
AS-BUILT DRAWINGS



LASER INTERFEROMETER
 GRAVITATIONAL-WAVE OBSERVATORY
 SITE NO. 1 - HANFORD, WASHINGTON

TITLE	STRUCTURAL STANDARD	SHEET NUMBER	NONE	PROJECT NUMBER	PP150969	PROPERTY NUMBER	8094
STRUCTURAL STANDARD		NONE		PP150969		8094	
CONNECTION DETAILS SHEET 2		WA-S-005					