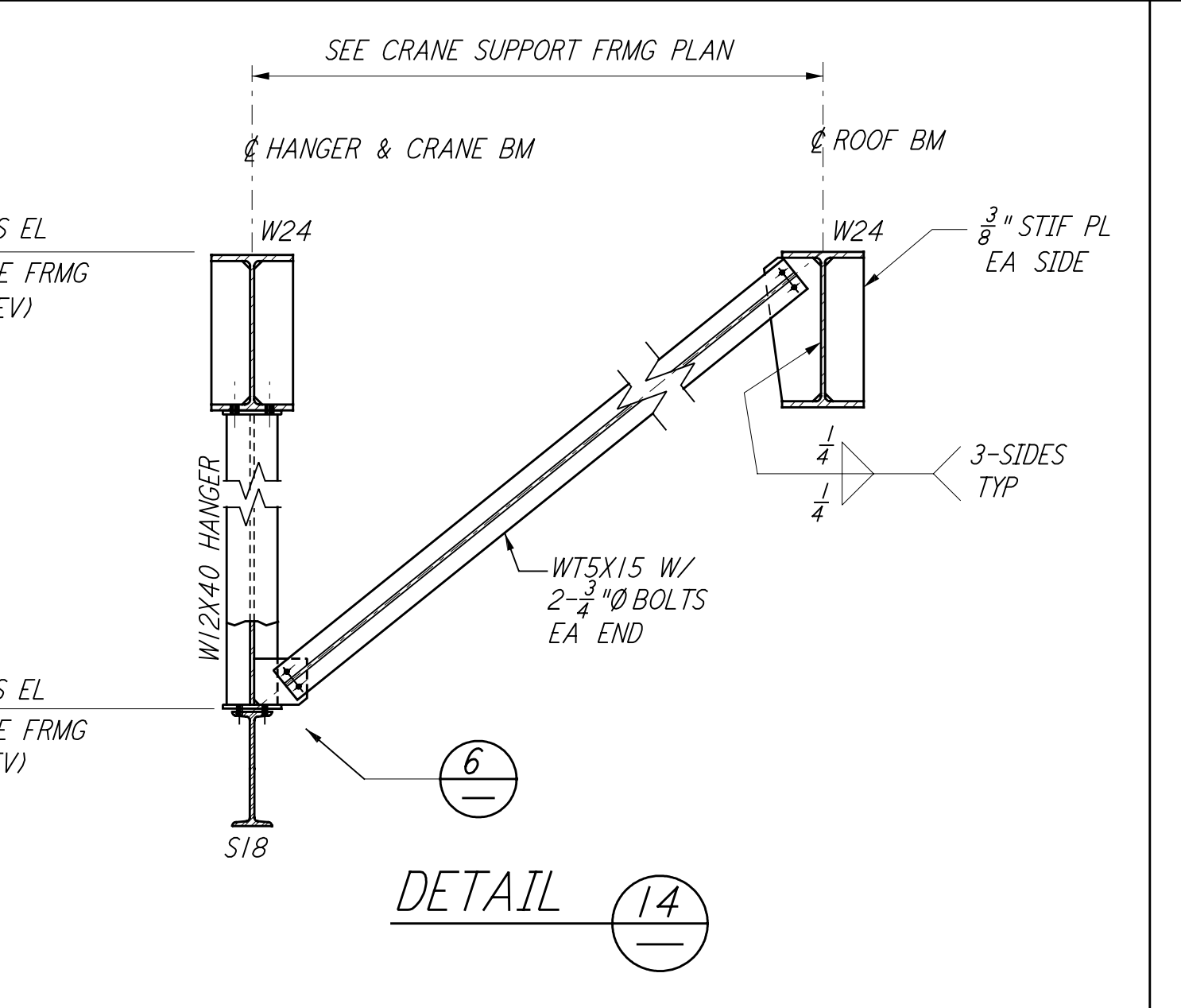
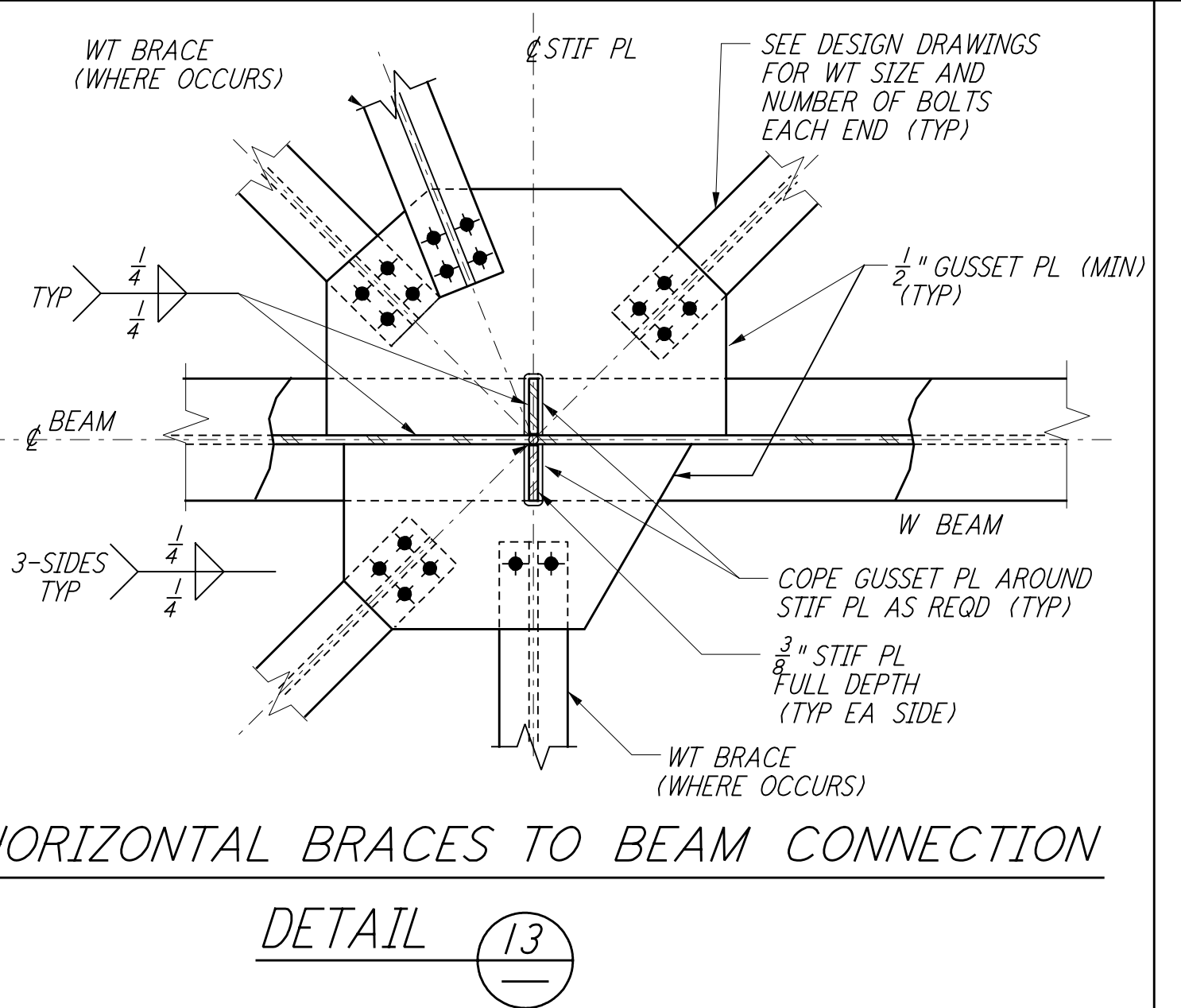
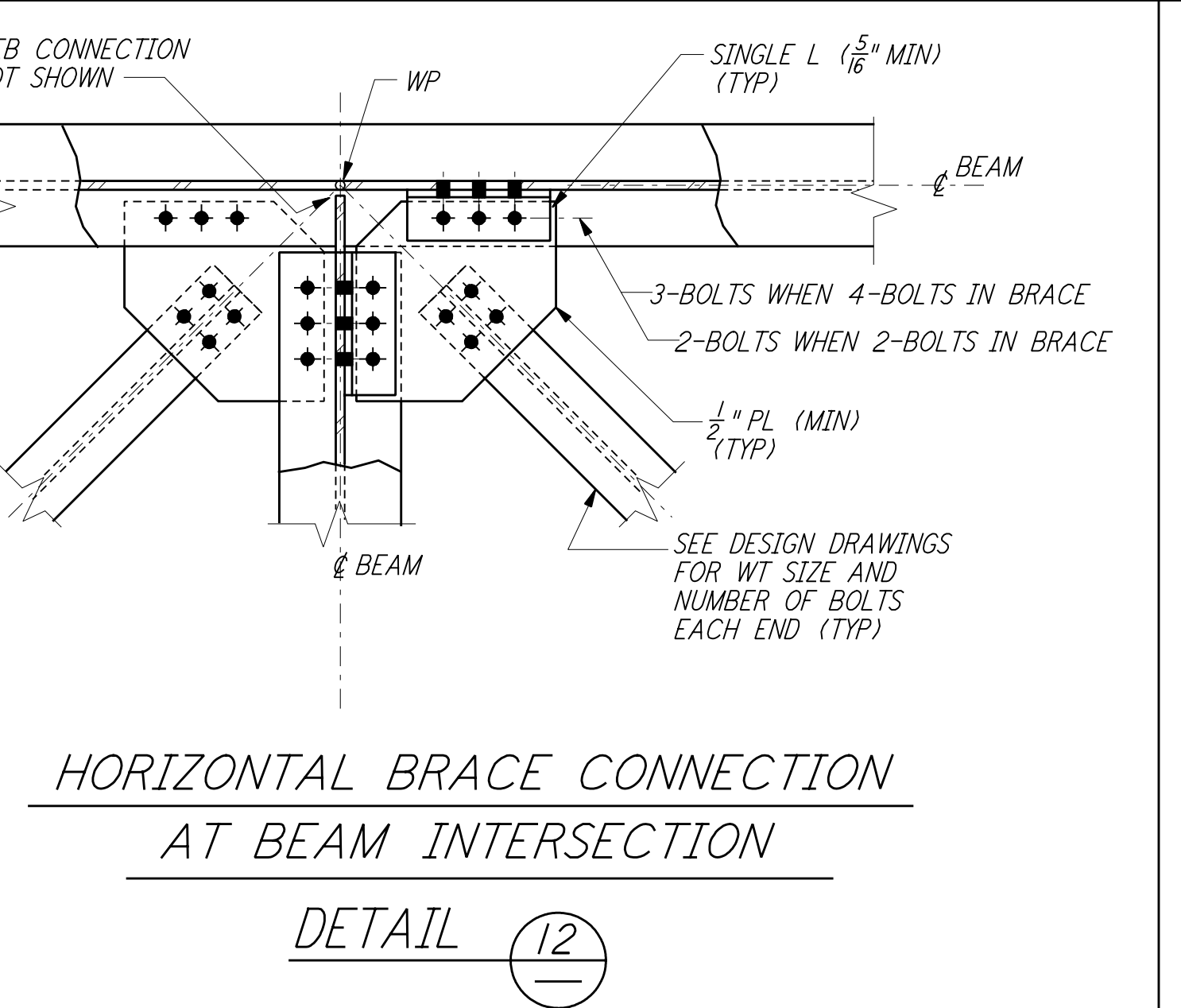
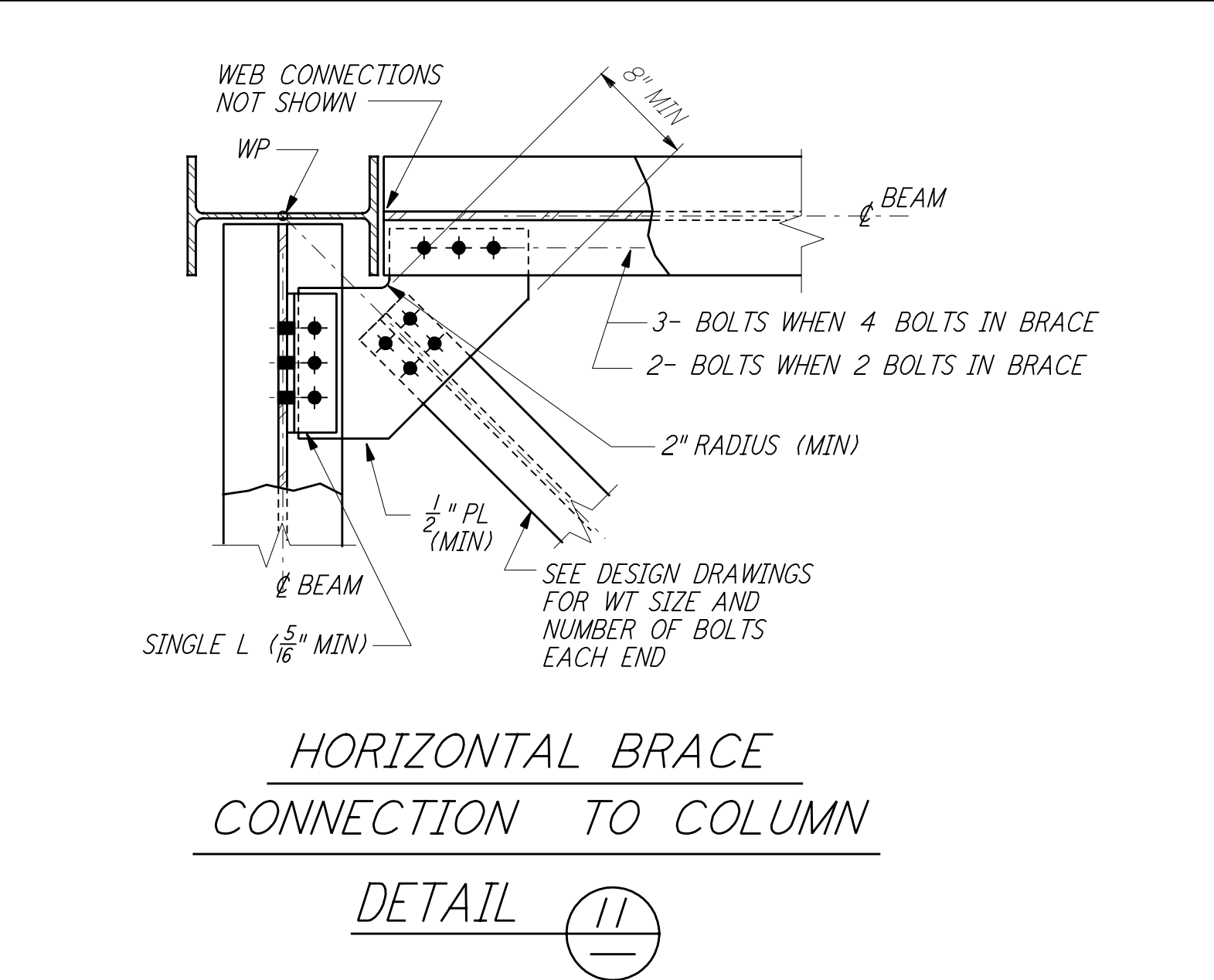
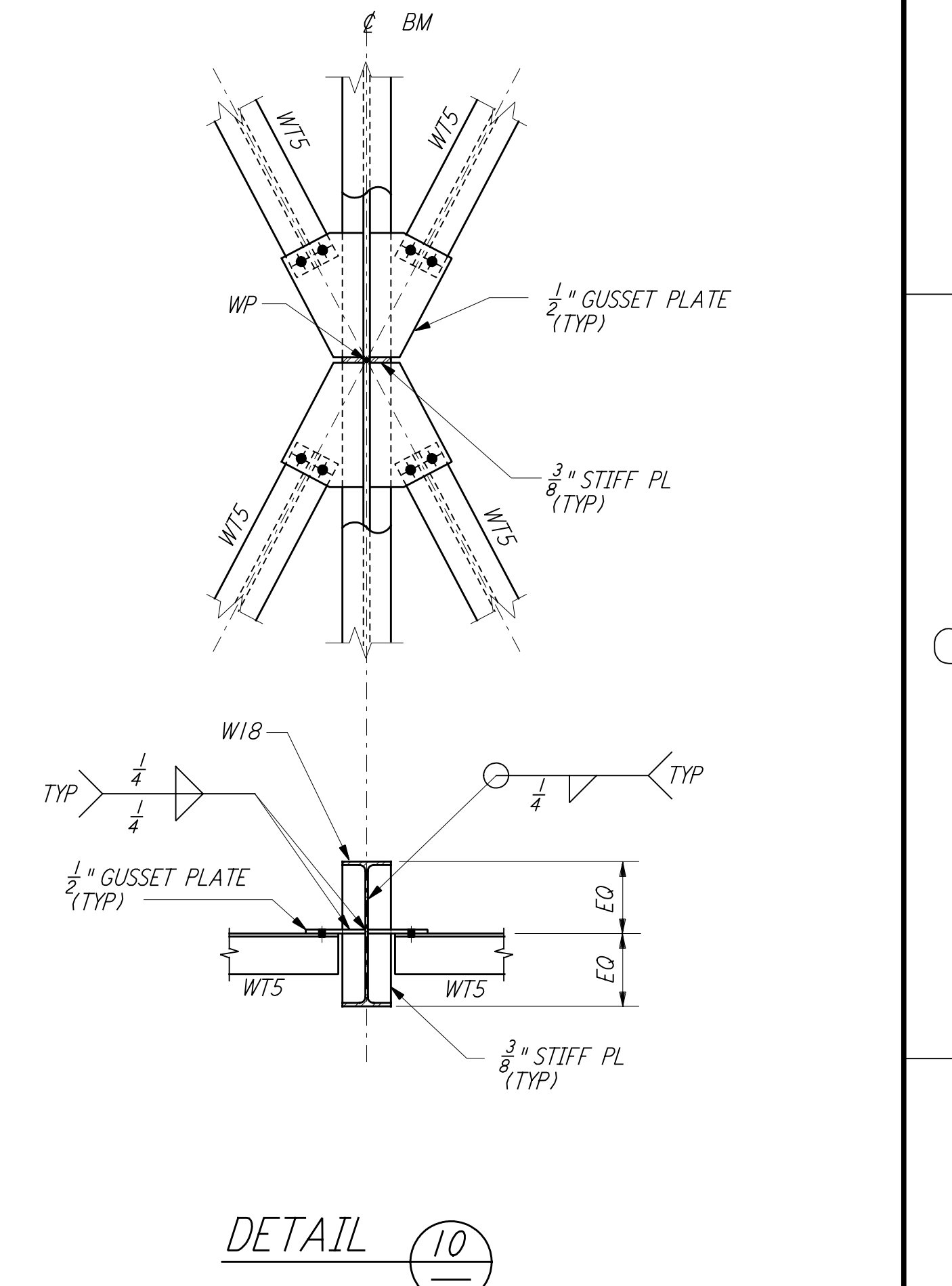
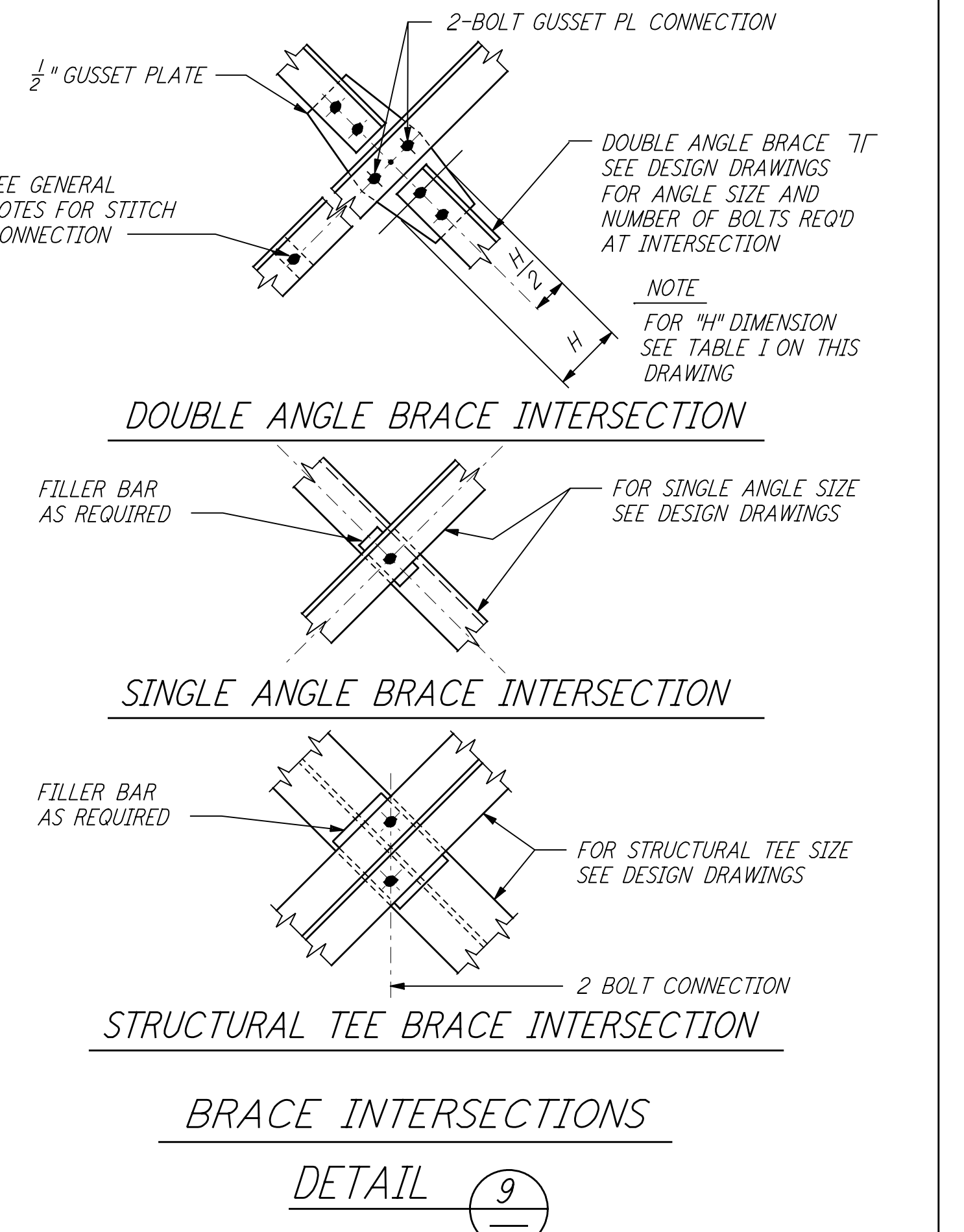
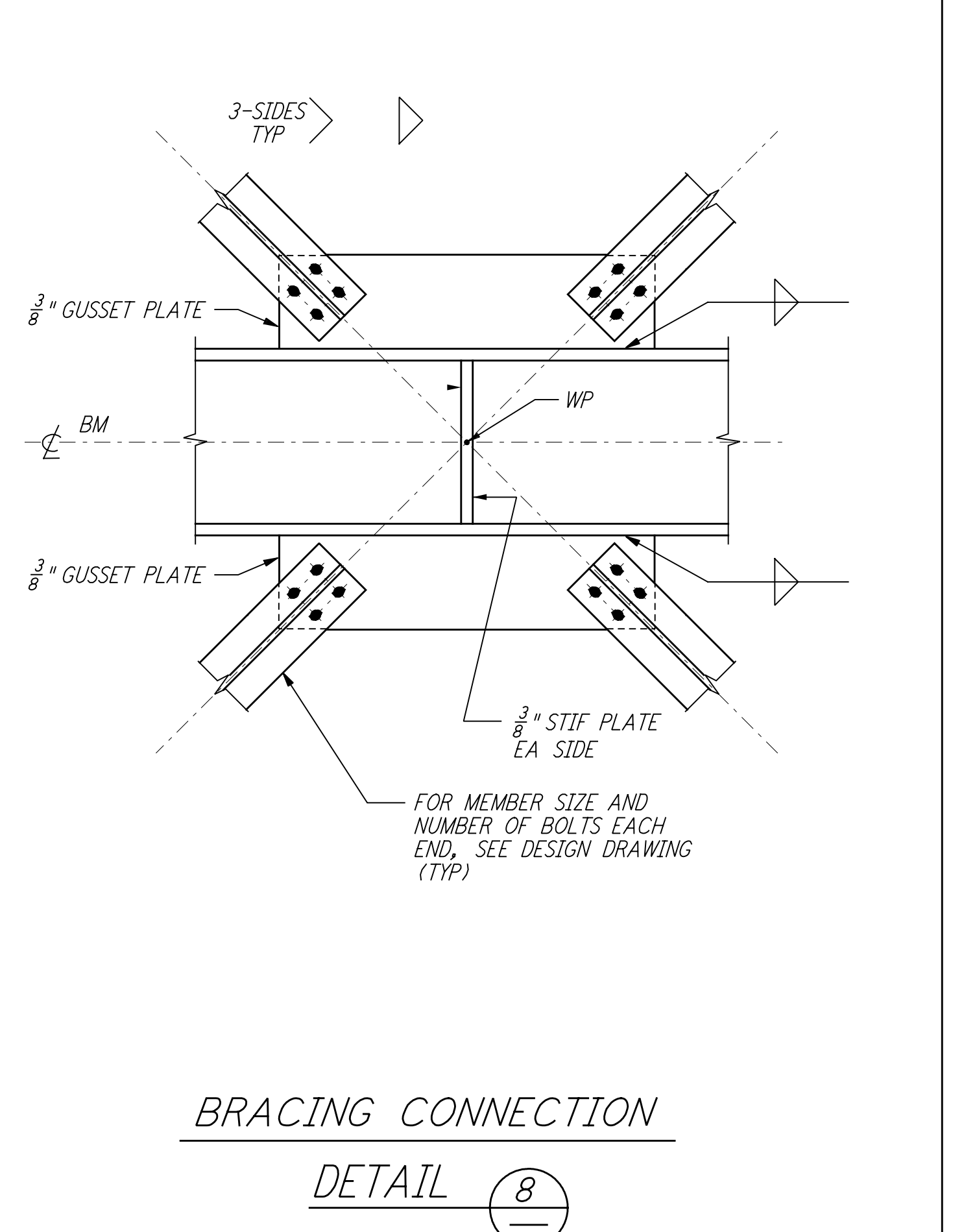
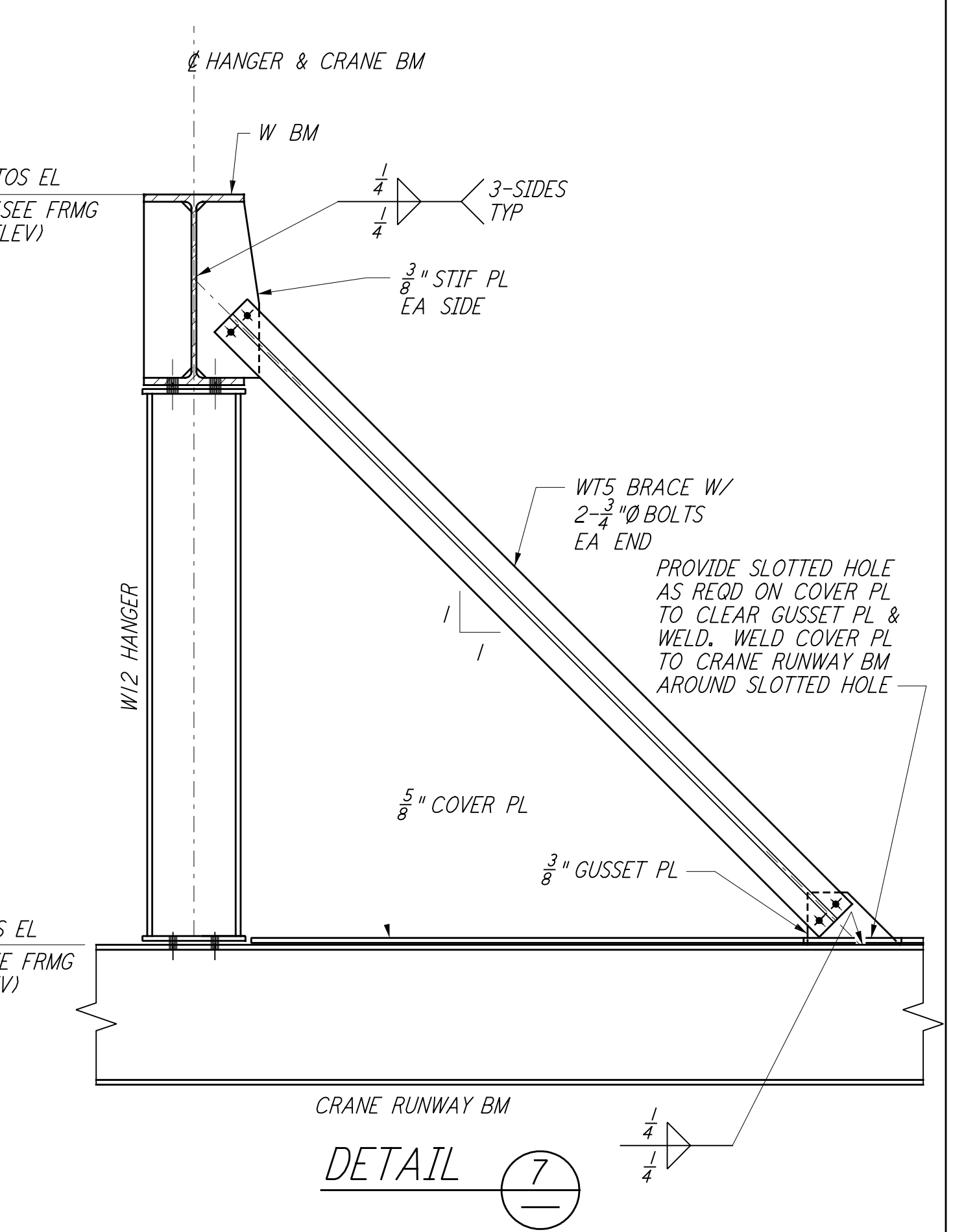
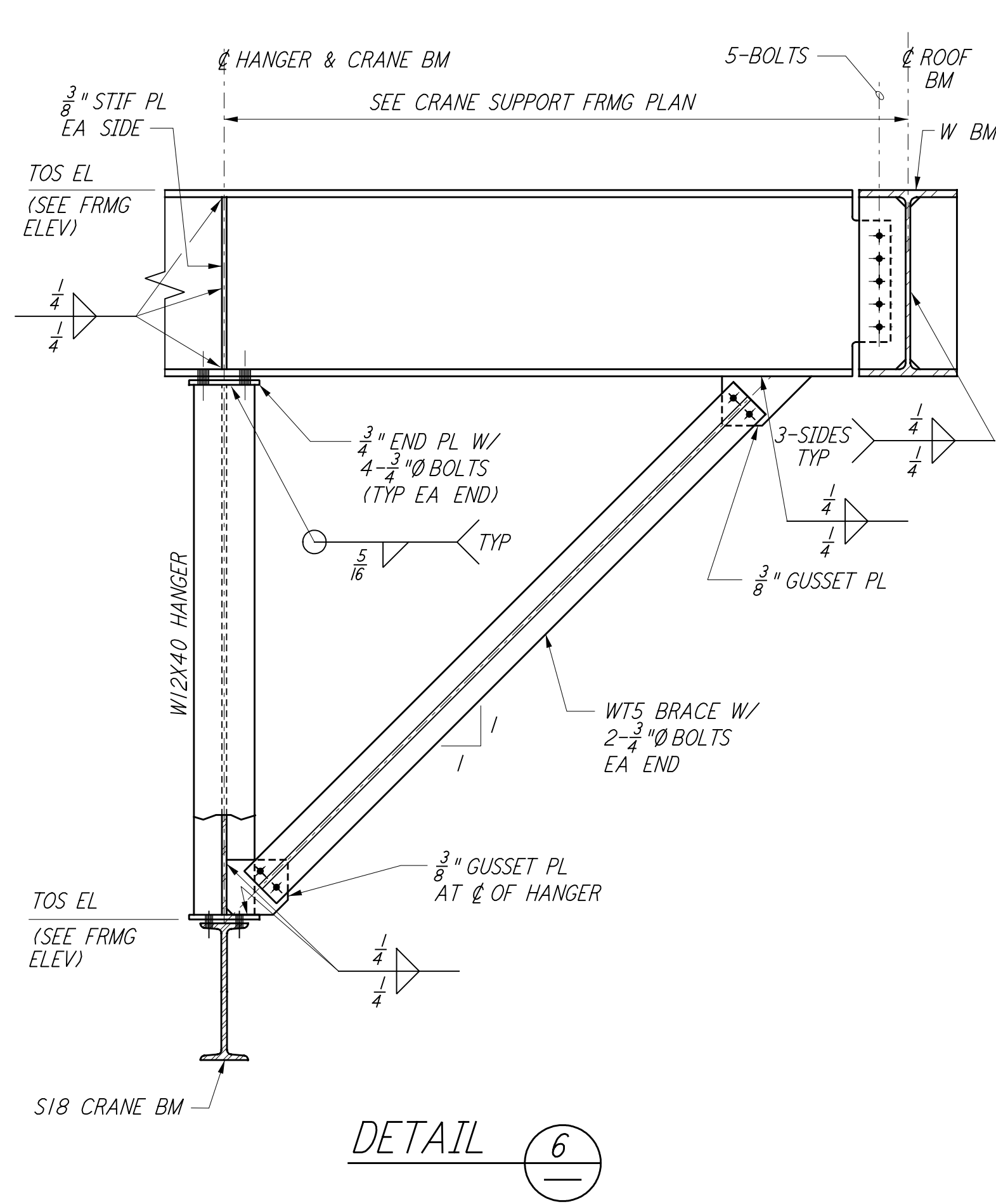
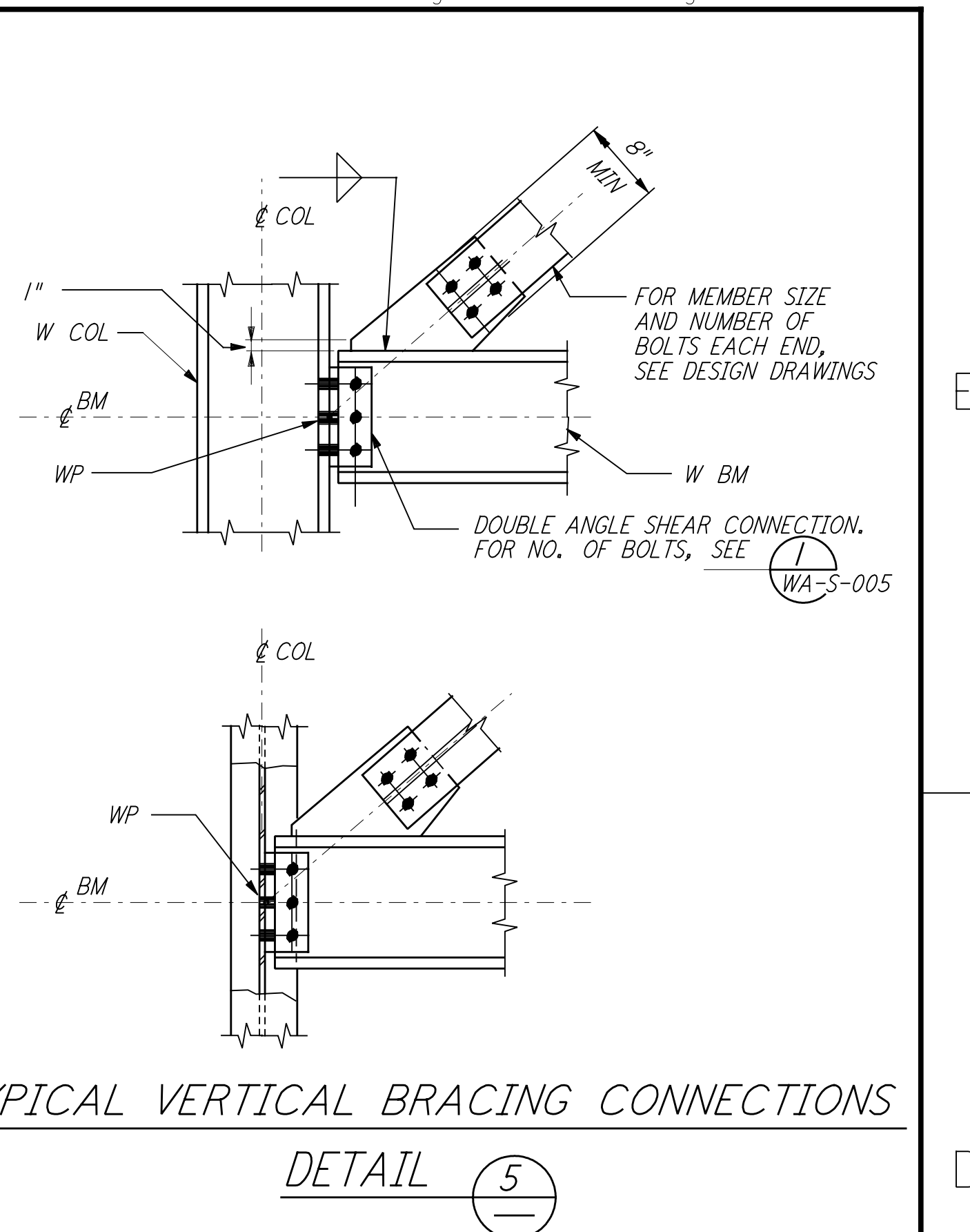
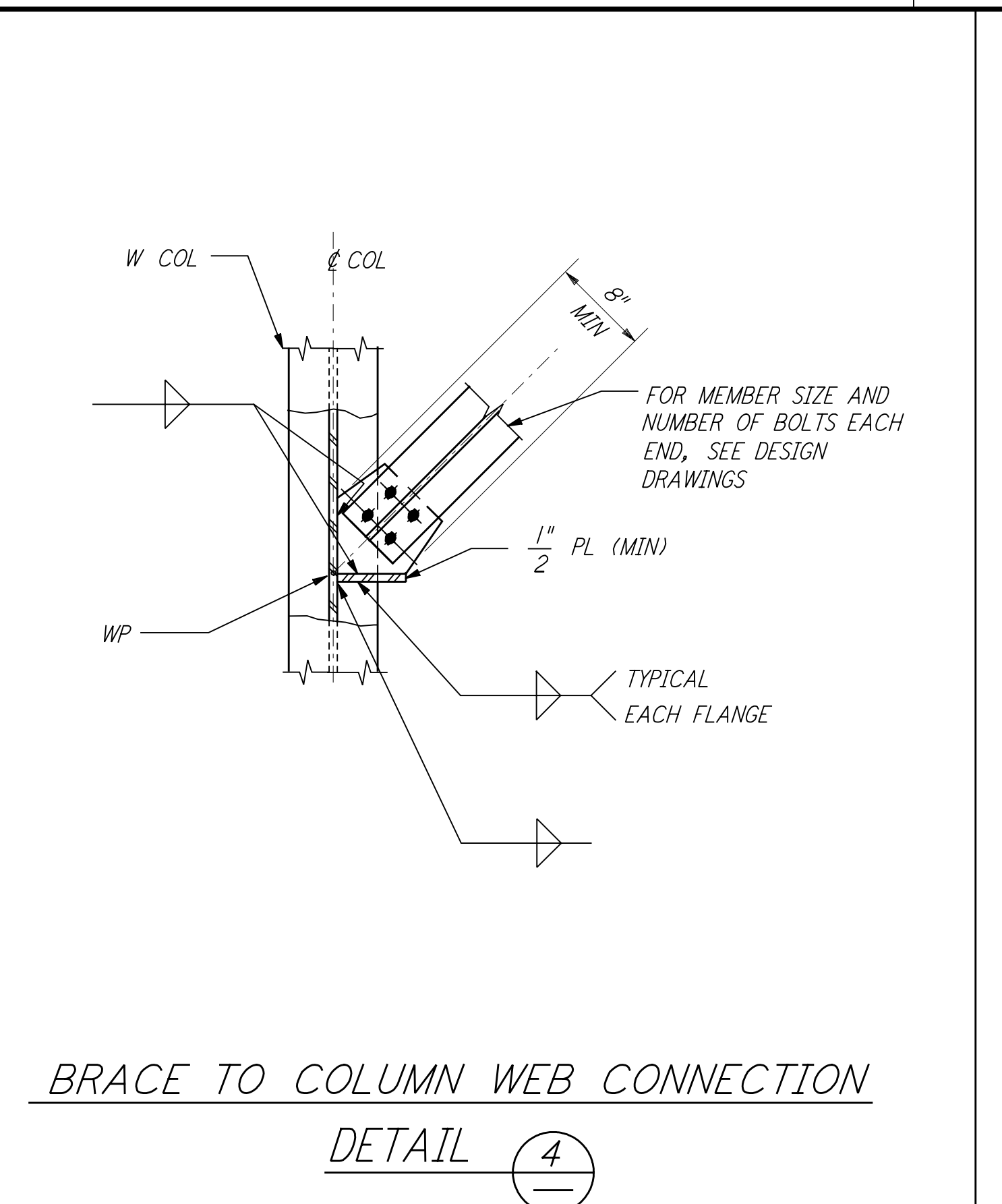
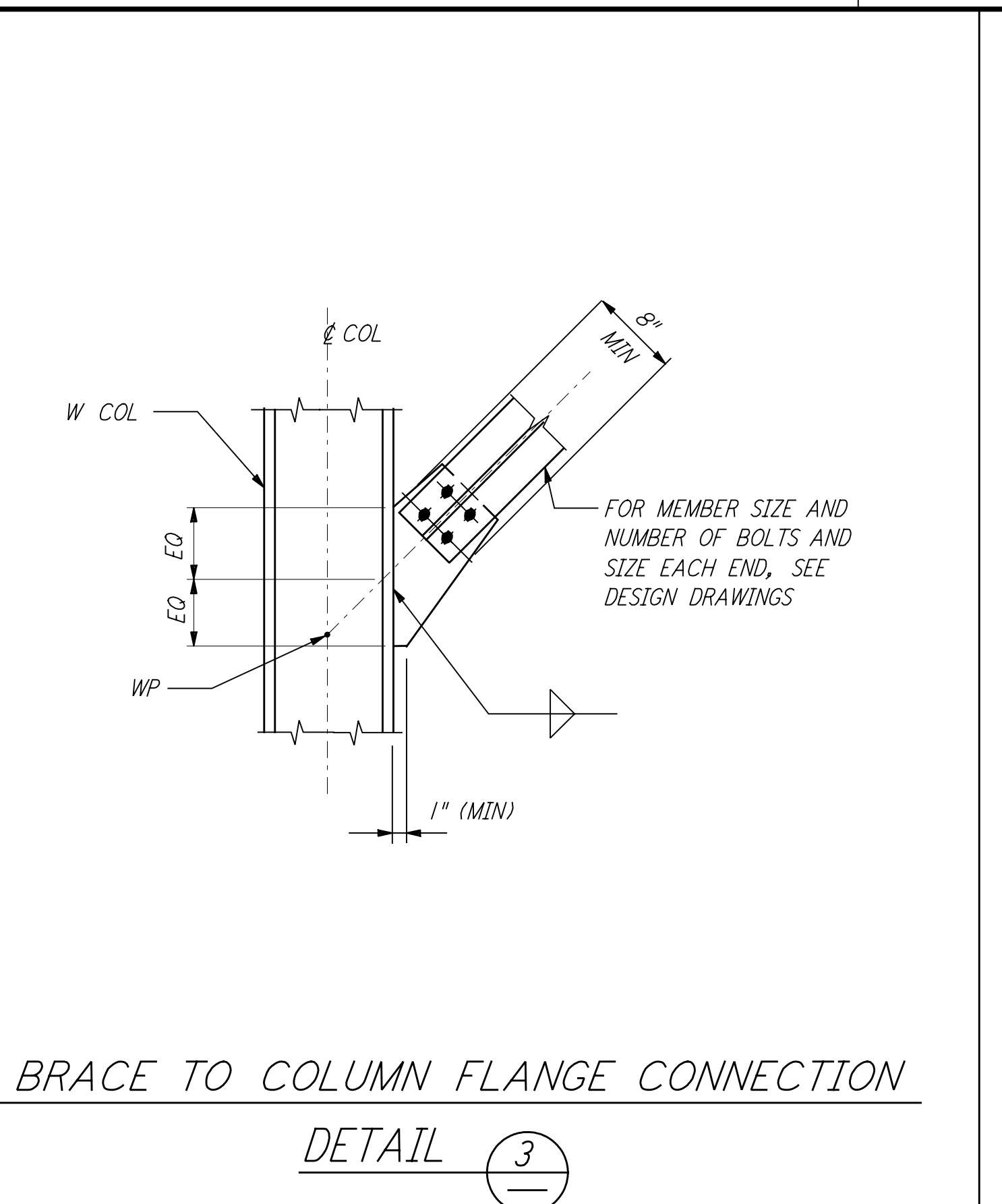
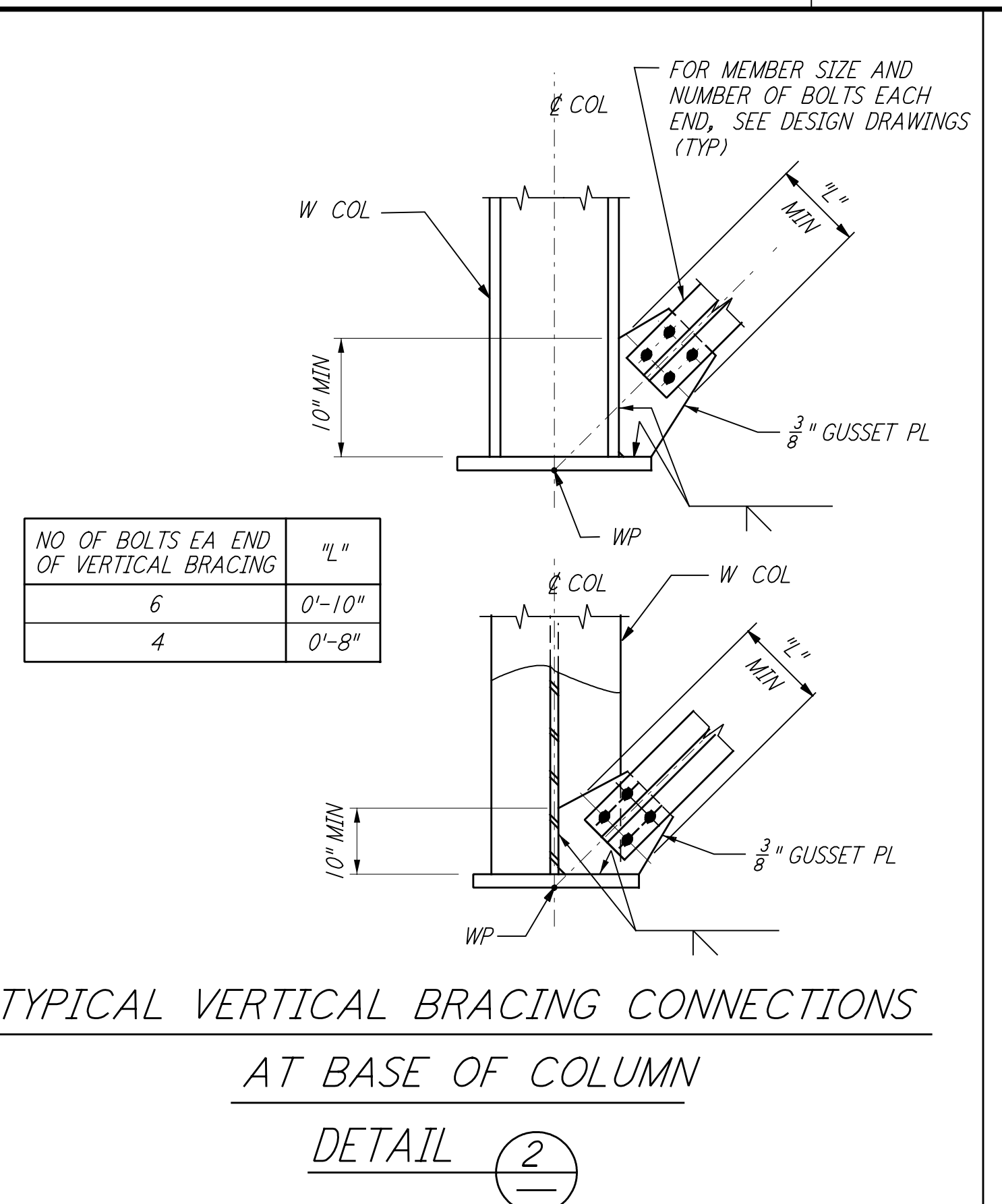
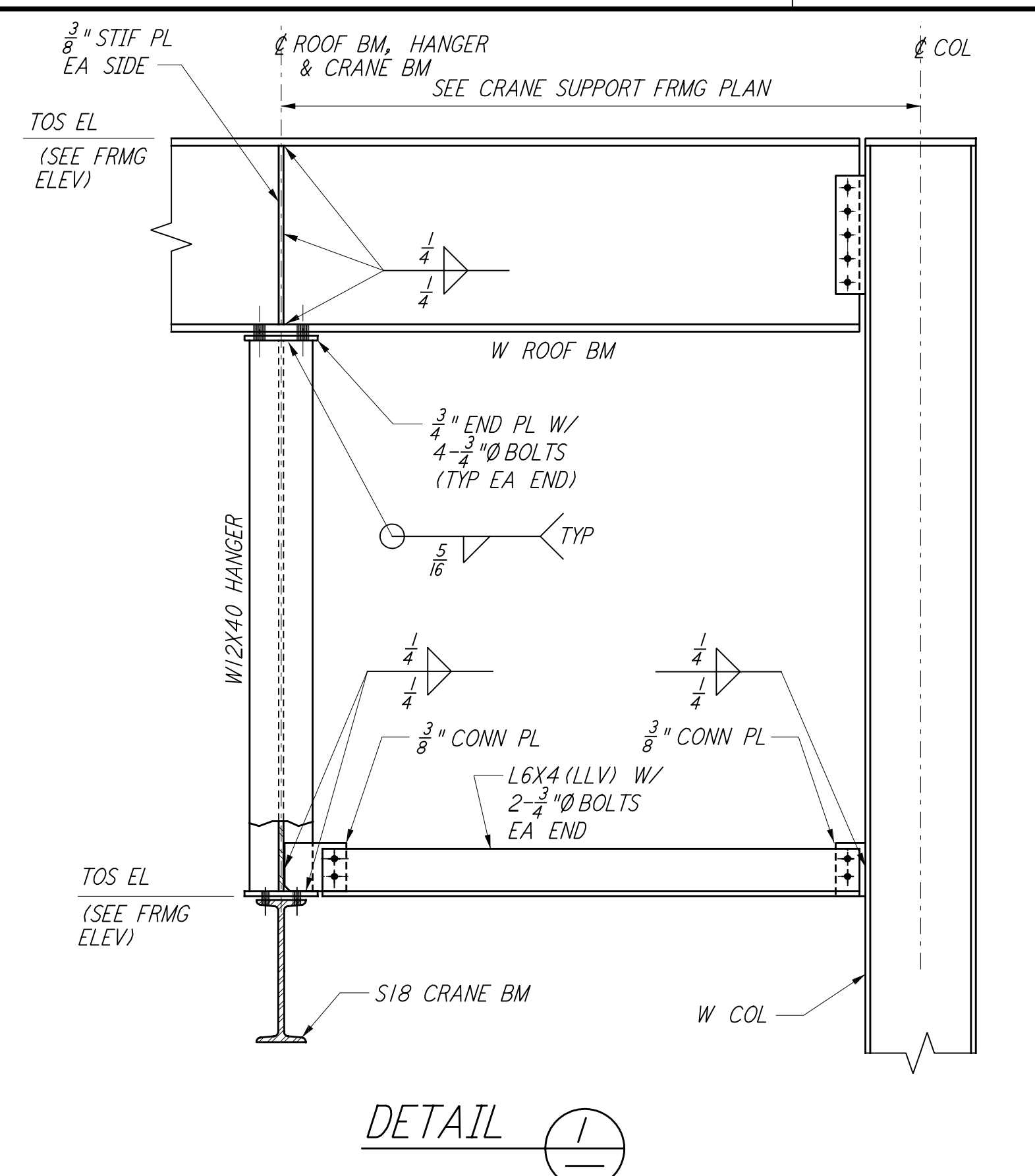


This document and the design it covers are the property of PARSONS. They are loaned only with the borrower's expressed written agreement that they will not be reproduced, copied, loaned, exhibited, or used in any other way, except by written consent from PARSONS to the borrower.



**NOTES:**

- FOR GENERAL NOTES, ABBREVIATIONS AND SYMBOLS, SEE DRAWING S-001.
- ALL ANGLE VERTICAL BRACING END CONNECTIONS SHALL HAVE TWO BOLTS EACH END UNLESS NOTED OTHERWISE ON THE DESIGN DRAWINGS.

REV	NO.	DATE	BY	CHKD	ENGR	PROJ	DESCRIPTION
1	6-15-98	CKT					ISSUED FOR AS-BUILT

ISSUED FOR CONSTRUCTION	DATE
DRAWN MCS	6-24-96
CHECKED DDM	7-2-96
ENGINEER BP	6-28-96
PROJ MOW	7-9-96

**AS-BUILT DRAWINGS**



LASER INTERFEROMETER GRAVITATIONAL-WAVE OBSERVATORY SITE NO. 1 - HANFORD, WASHINGTON			
TITLE	SCALE	PROJECT NUMBER	PROJECT NUMBER
STRUCTURAL STANDARD	NONE	PP150969	8094
STRUCTURAL STEEL CONNECTION DETAILS SHEET 3		WA-S-006	