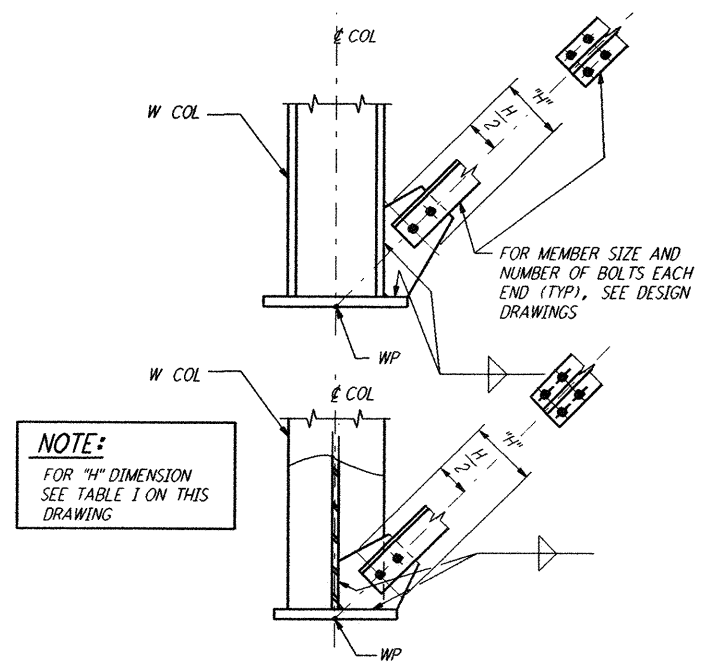
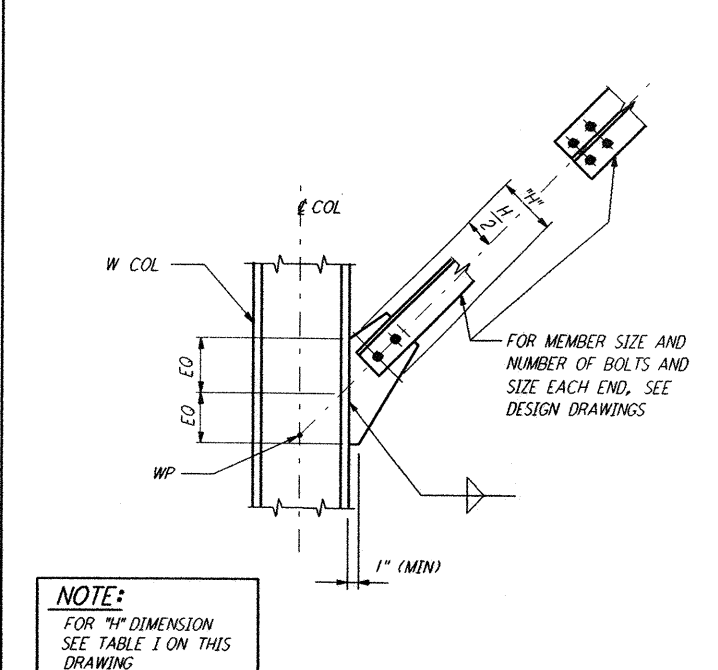


BOLT SIZE	NO OF BOLTS	MIN "H" (INCHES)	CONNECTION CAPACITY (KIPS)
1/2" - Ø A325-F BOLTS IN STD HOLES. BOLTS IN DOUBLE SHEAR.	2	8	40.8
	3	10	61.2
	4	12	81.6

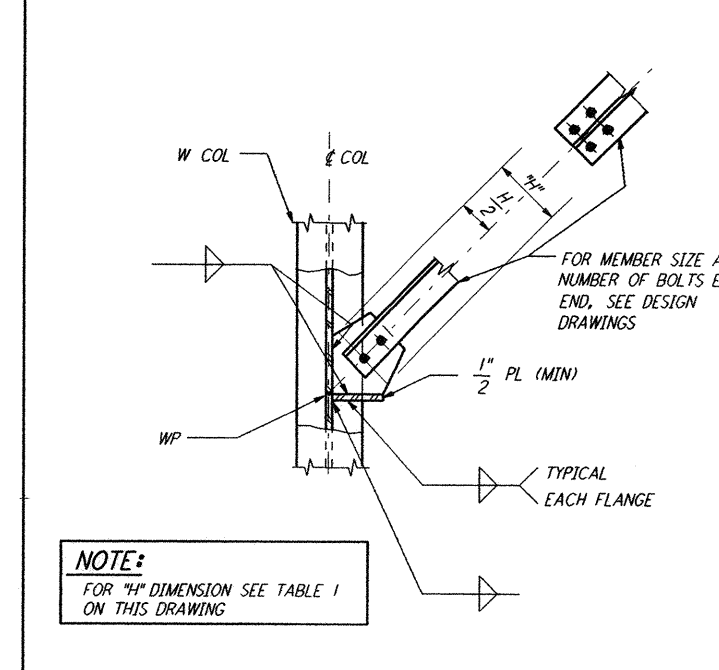
- BASED ON 1/2" GUSSET PLATE. FOR DIFFERENT THICKNESS THE RESULTS ARE PROPORTIONAL.
- VALUES DO NOT INCLUDE ONE-THIRD INCREASE IN ALLOWABLE STRESS FOR WIND AND SEISMIC LOADS.



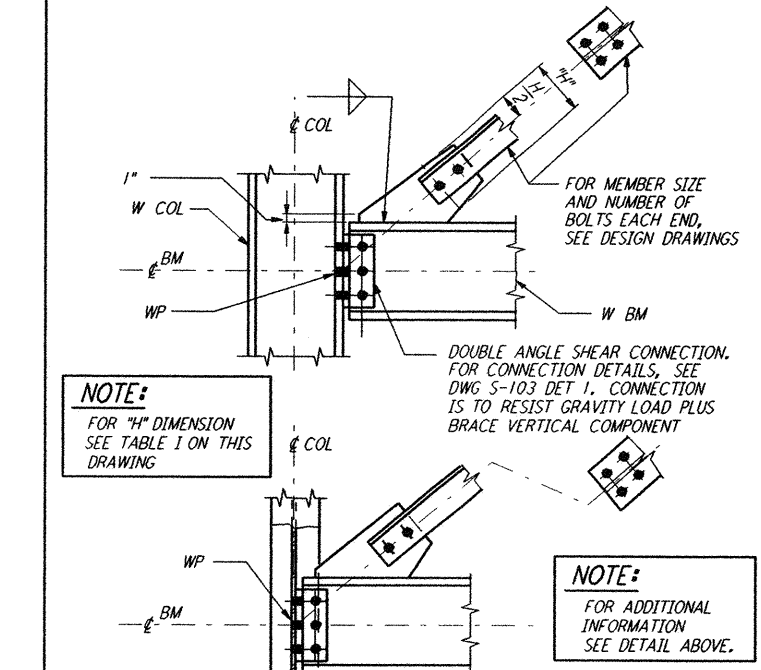
TYPICAL VERTICAL BRACING CONNECTIONS
 AT BASE OF COLUMN
 DETAIL 2



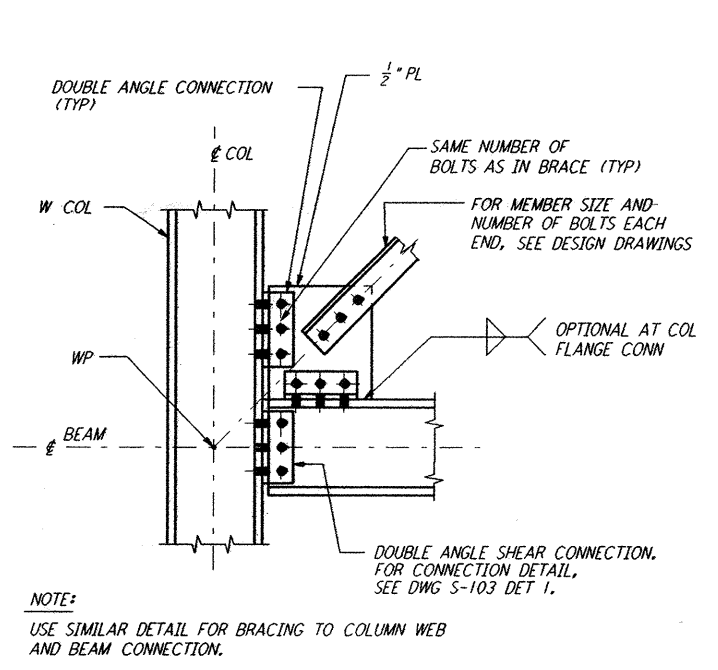
BRACE TO COLUMN FLANGE CONNECTION
 DETAIL 3



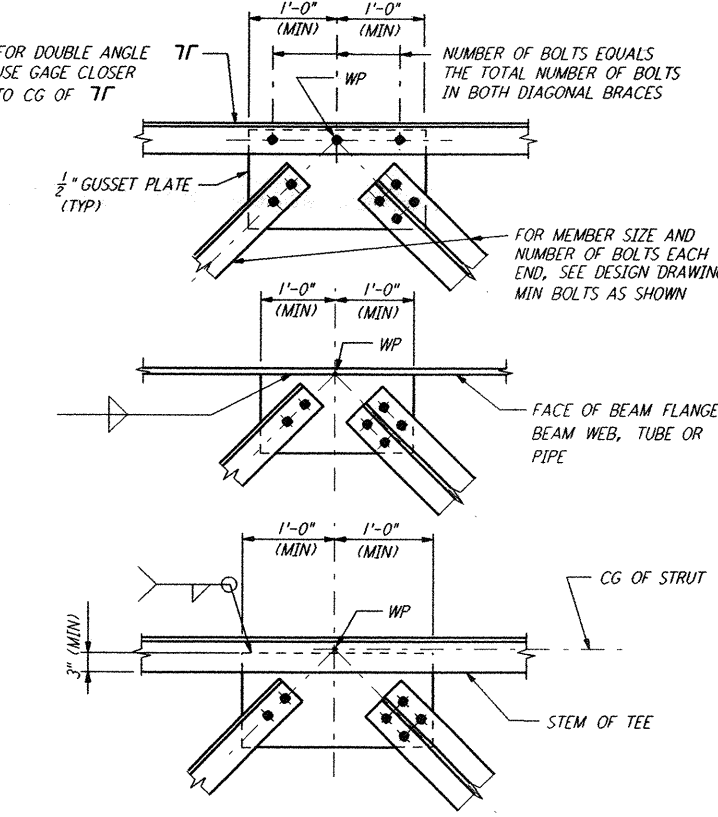
BRACE TO COLUMN WEB CONNECTION
 DETAIL 4



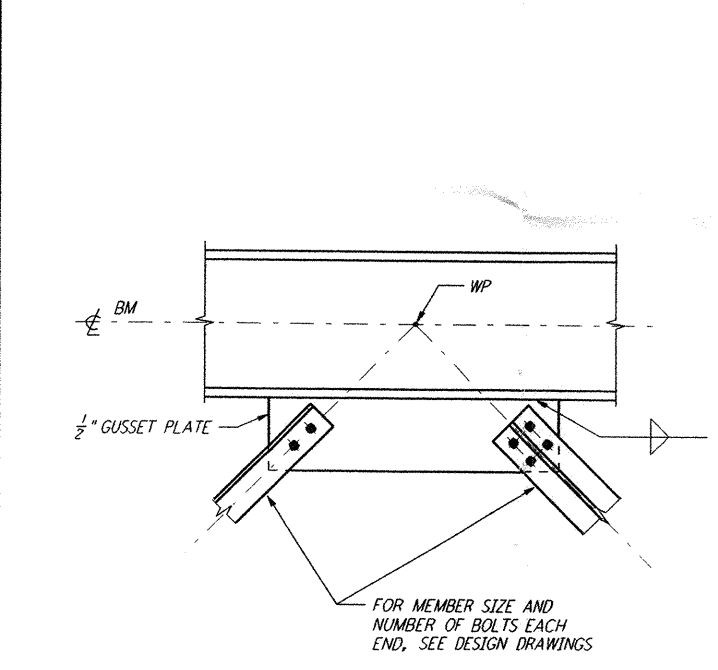
TYPICAL VERTICAL BRACING CONNECTIONS
 DETAIL 5



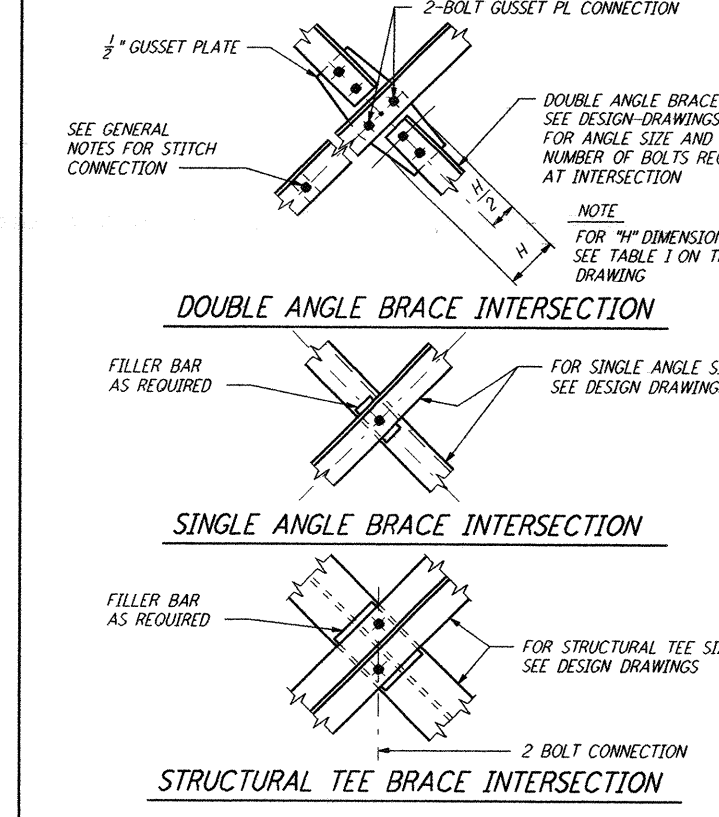
BRACING TO COLUMN FLANGE AND BEAM CONNECTION
 DETAIL 6



K-BRACING CONNECTIONS
 DETAIL 7



K-BRACING CONNECTION
 DETAIL 8



BRACE INTERSECTIONS
 DETAIL 9

- NOTES:
- FOR GENERAL NOTES, ABBREVIATIONS AND SYMBOLS, SEE DRAWING S-001.
 - ALL ANGLE VERTICAL BRACING END CONNECTIONS SHALL HAVE TWO BOLTS EACH END UNLESS NOTED OTHERWISE ON THE DESIGN DRAWINGS.

This document and the design it covers are the property of PARSONS. They are loaned only with the borrower's expressed written agreement that they will not be reproduced, copied, loaned, exhibited, or used in any other way, except by written consent from PARSONS to the borrower.

NO.	DATE	APPR BY	DESCRIPTION OF REVISION
9			
8			
7			
6			
5			
4			
3			
2			
1			

NO.	DATE	APPR BY	ISSUED FOR
J			
H			
G			
F			
E			
D			
C			
B			
A	10-31-95	TDM	PRELIMINARY DESIGN REVIEW

DATE	10-31-95
DRAWN	MCS
CHECKED	
ENGINEER	
PROJ MGR	

PARSONS
 100 WEST WALNUT STREET
 PASADENA, CALIFORNIA

LIGO
 CALIFORNIA INSTITUTE OF TECHNOLOGY
 MASSACHUSETTS INSTITUTE OF TECHNOLOGY

LASER INTERFEROMETER
 GRAVITATIONAL-WAVE OBSERVATORY
 SITE NO. 1 - HANFORD, WASHINGTON

TITLE	SCALE	CONTRACT NUMBER	PROJECT NUMBER
STANDARD STRUCTURAL STEEL DETAILS - SHEET 3	NONE	PP150969	8094
SHEET NUMBER		REVISIONS	
WA-S-006			

Mon Oct 30 21:53:36 1995 S3-V18B2 J:\PLOTS\QUEUES\V18B2\ST006A.PRF