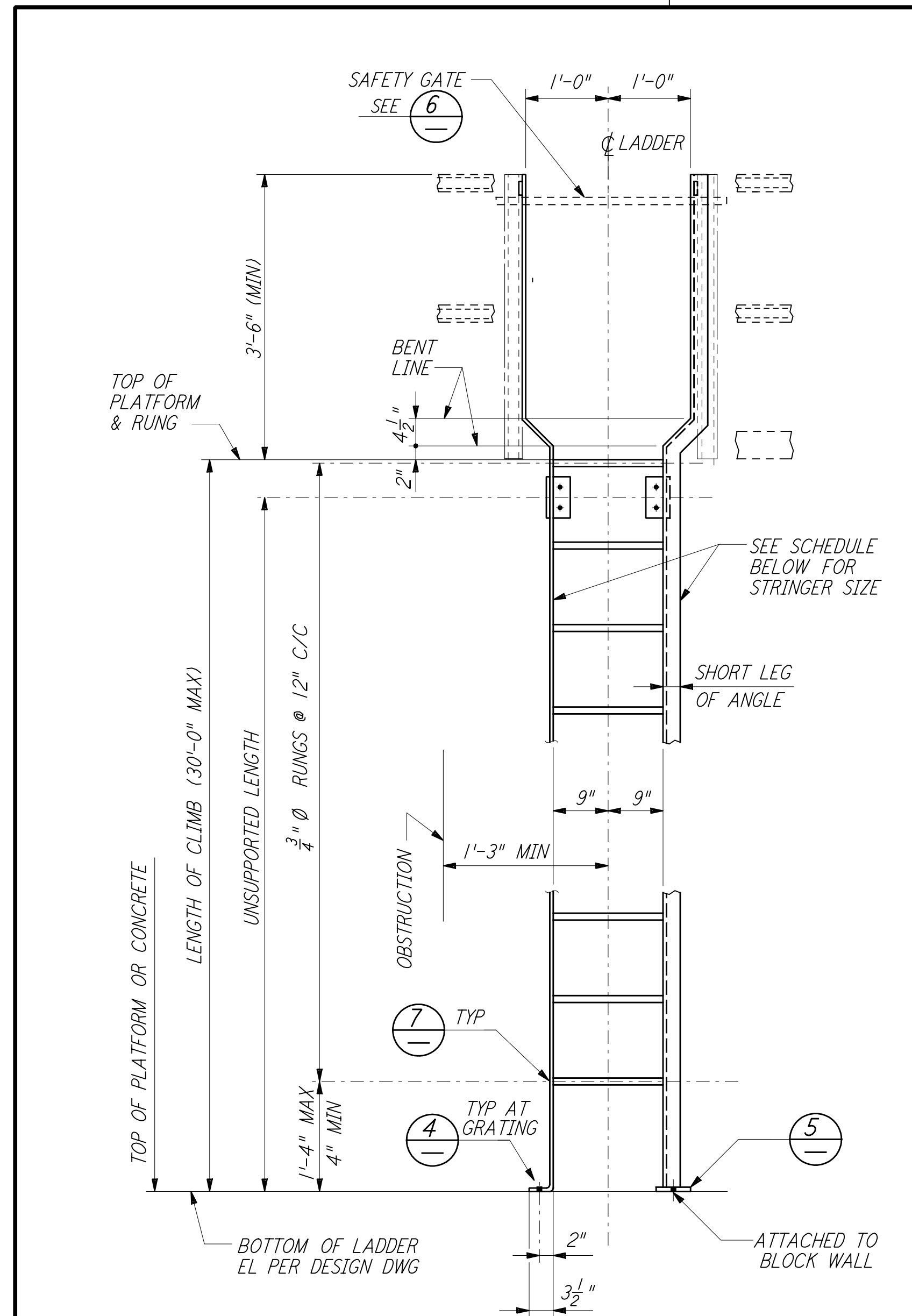
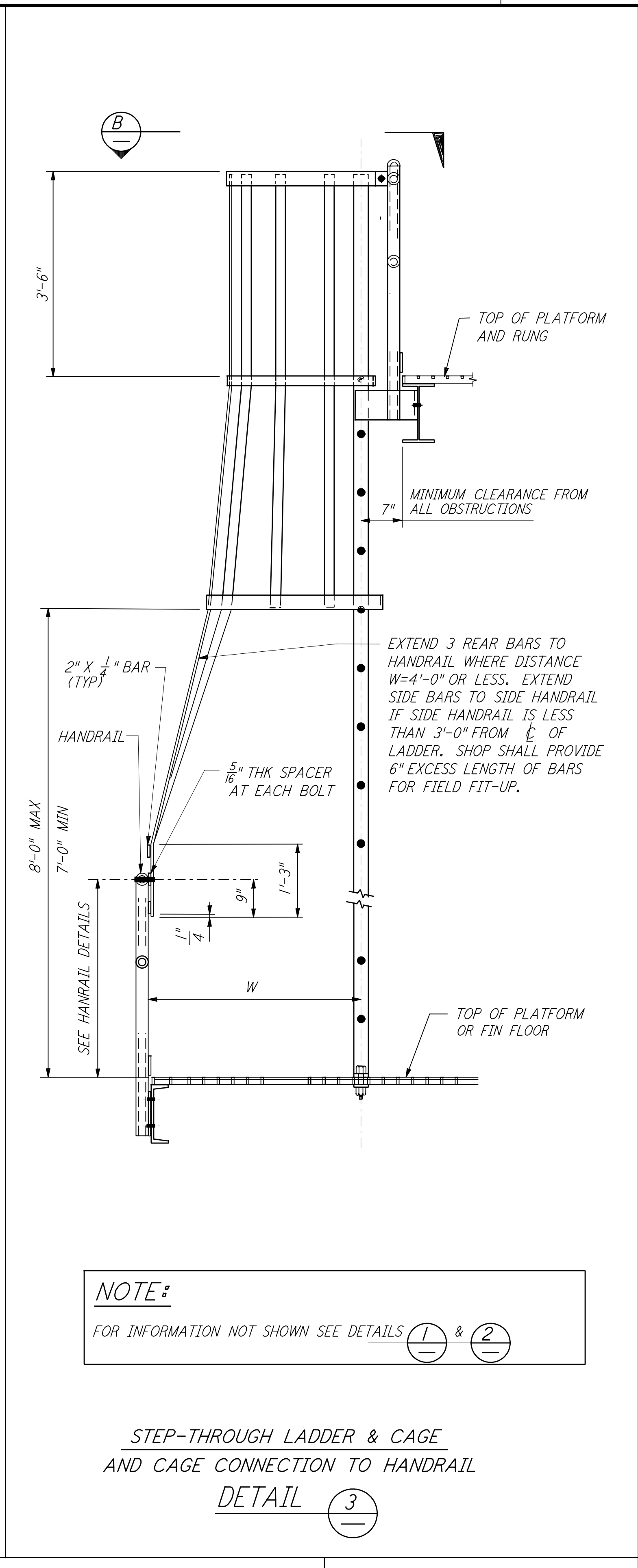
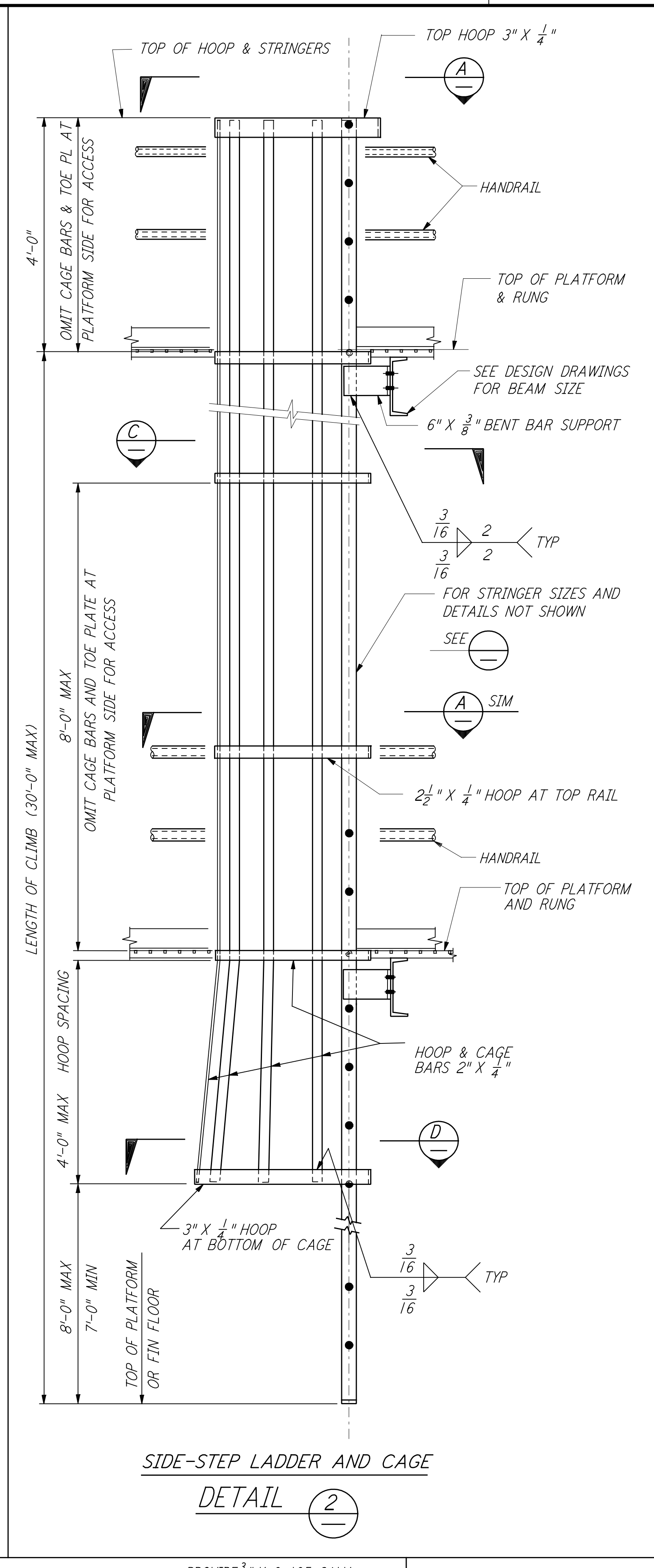
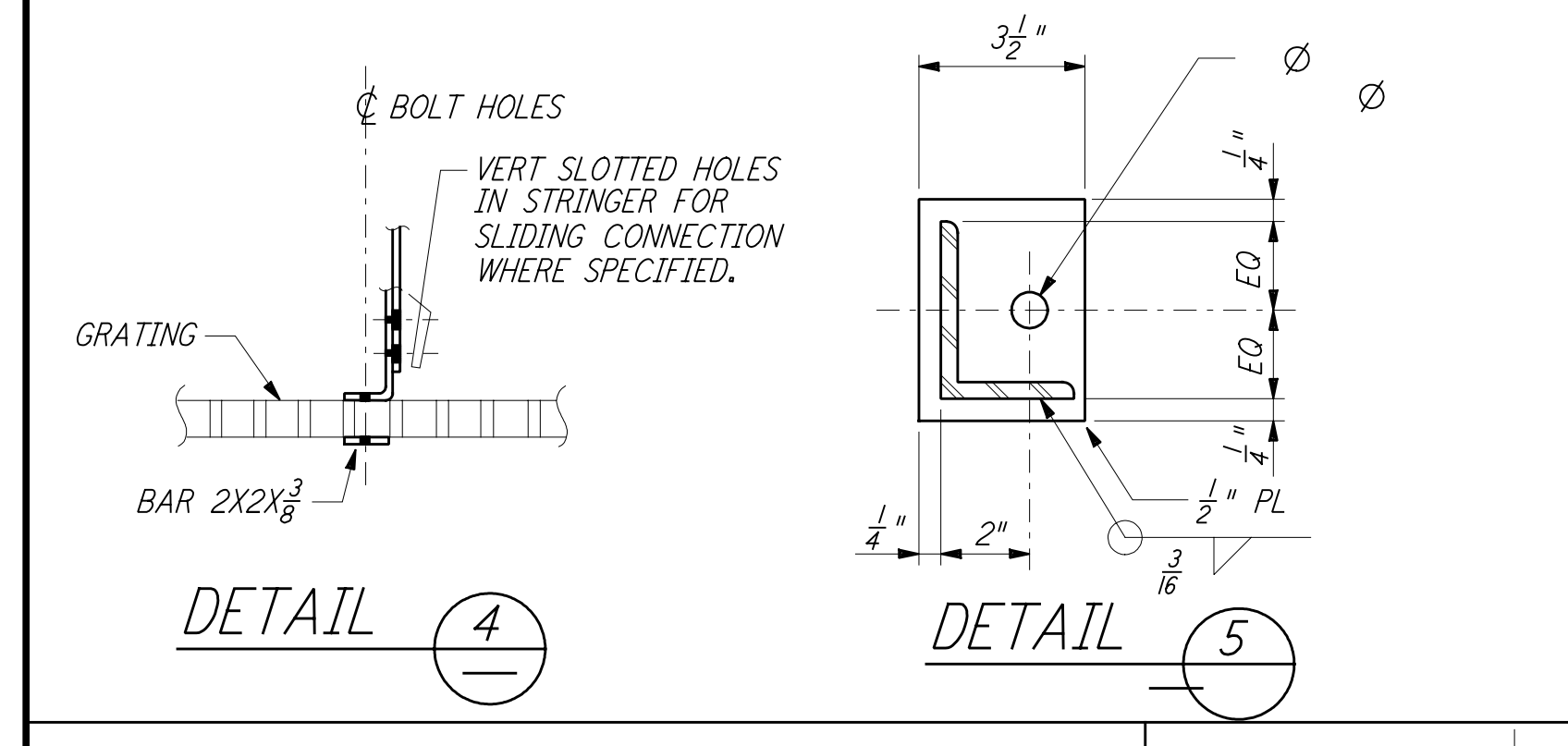


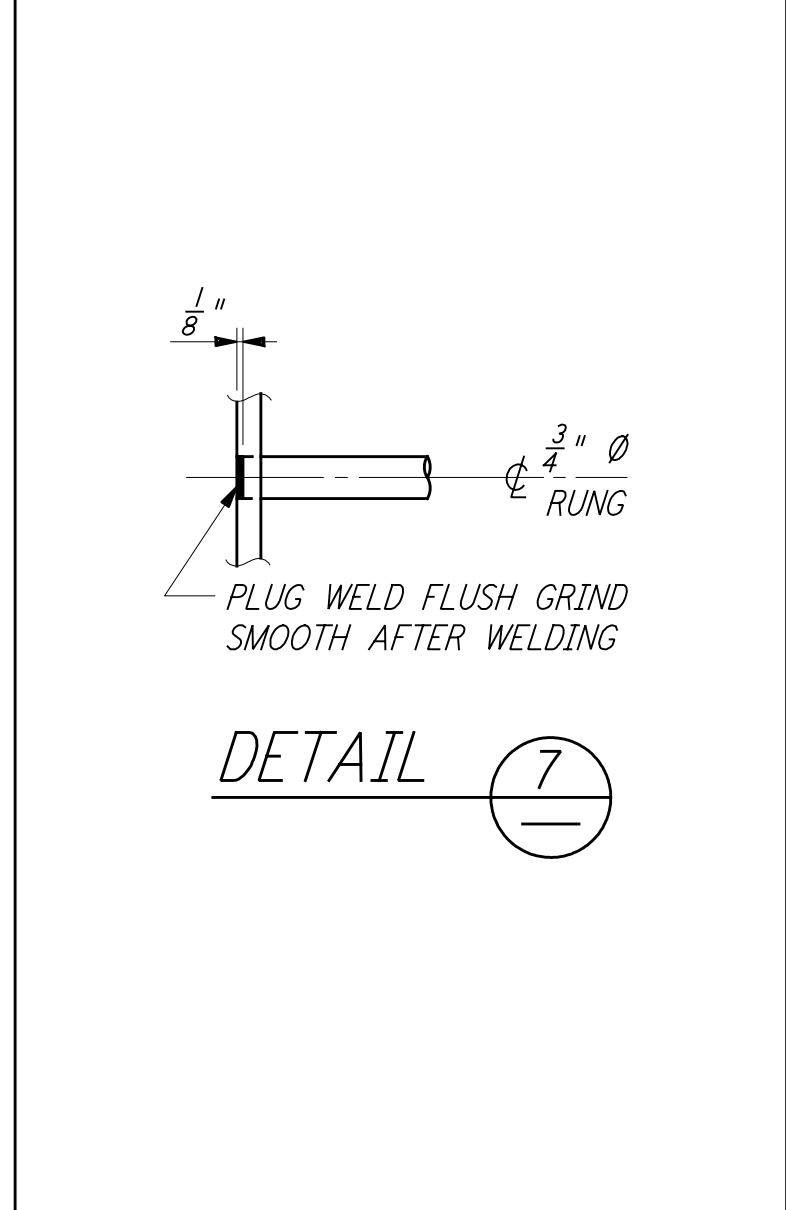
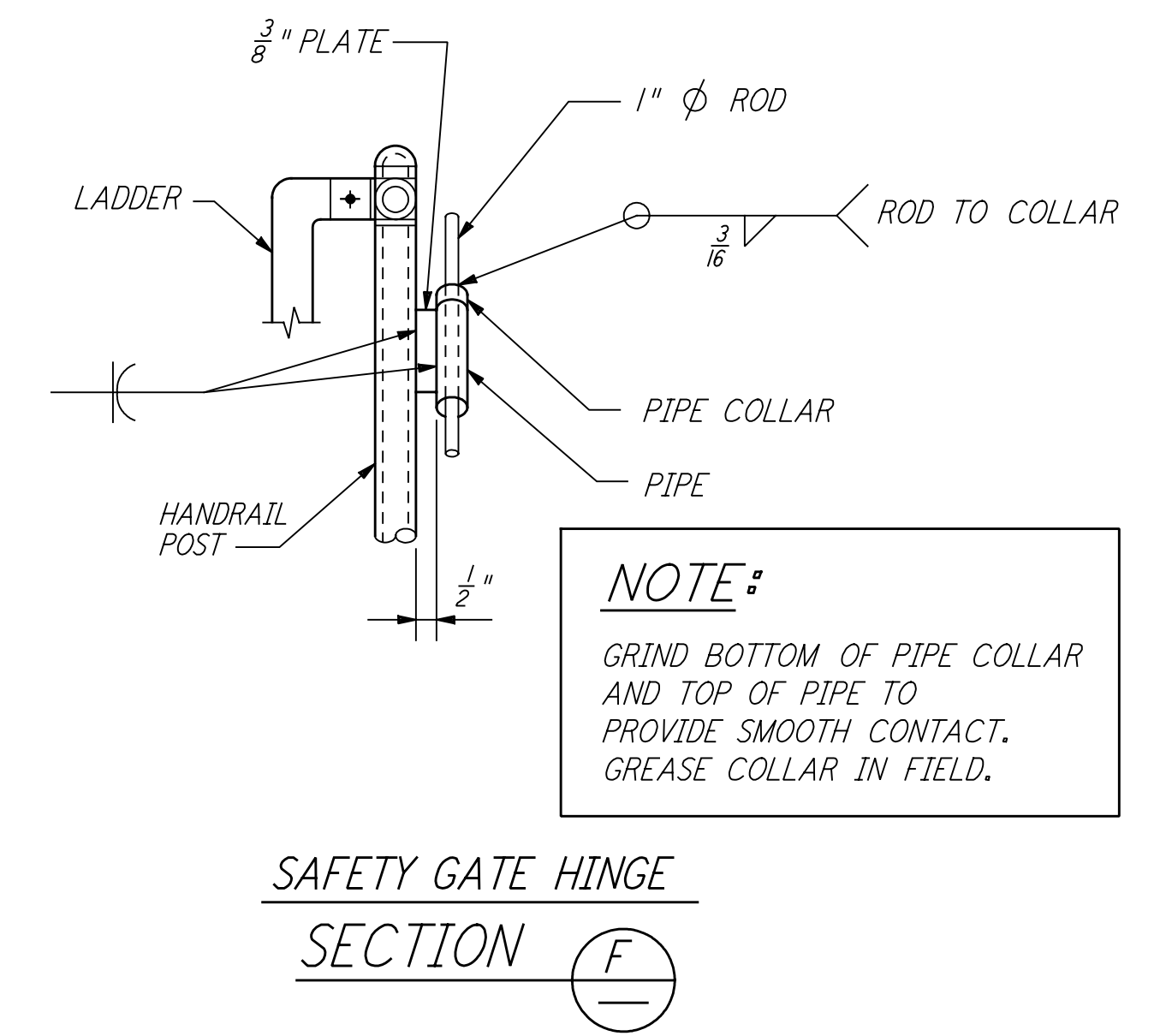
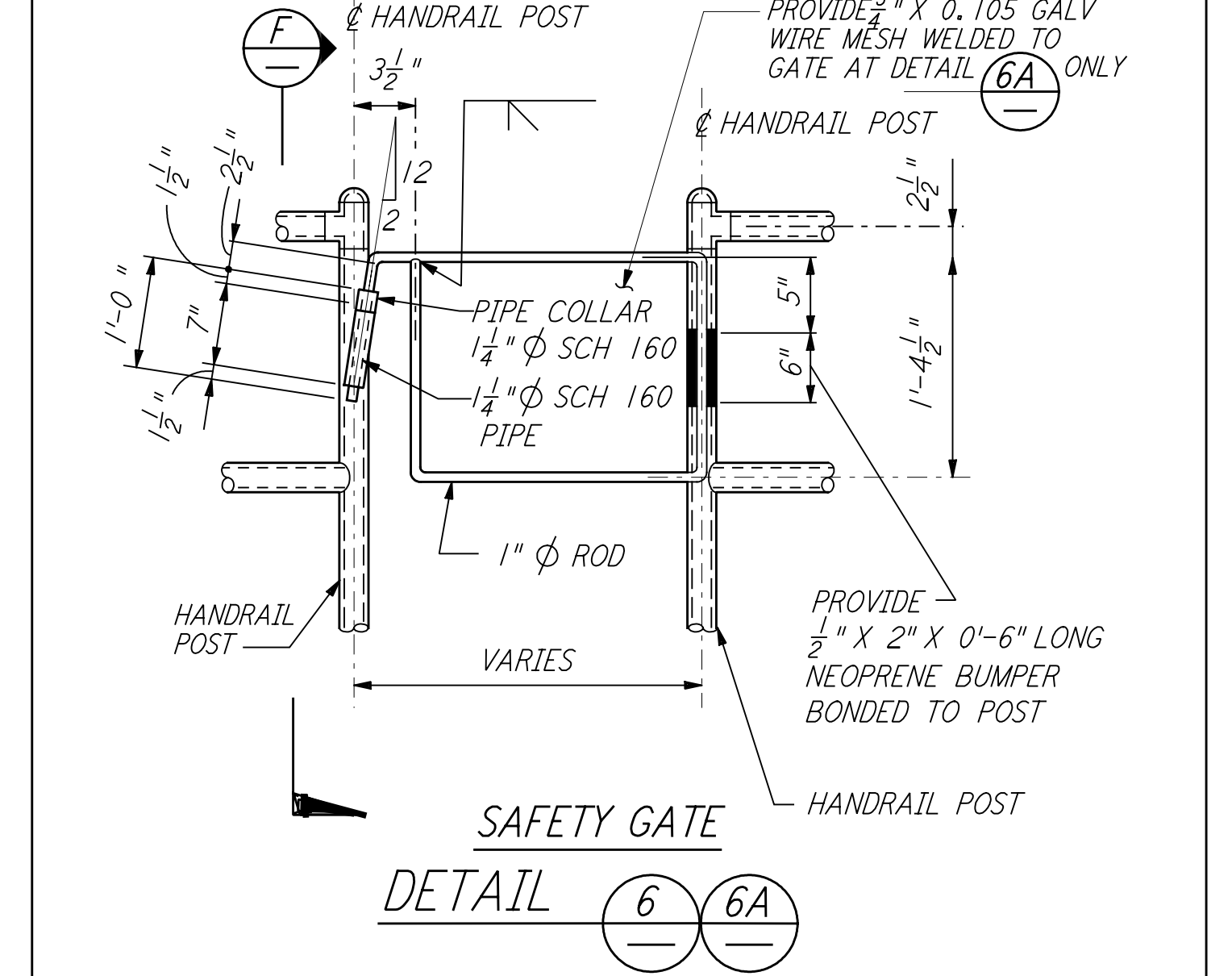
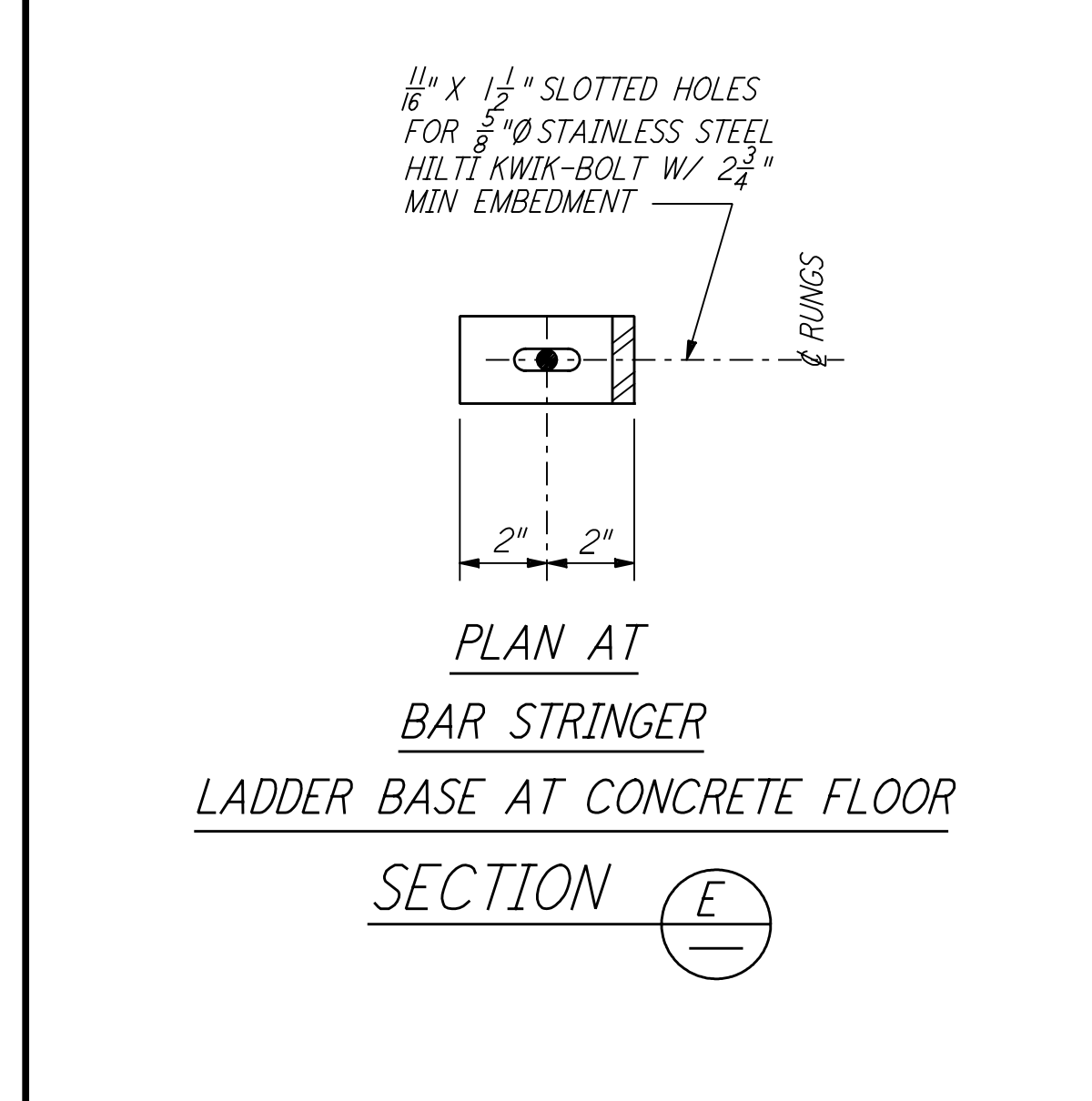
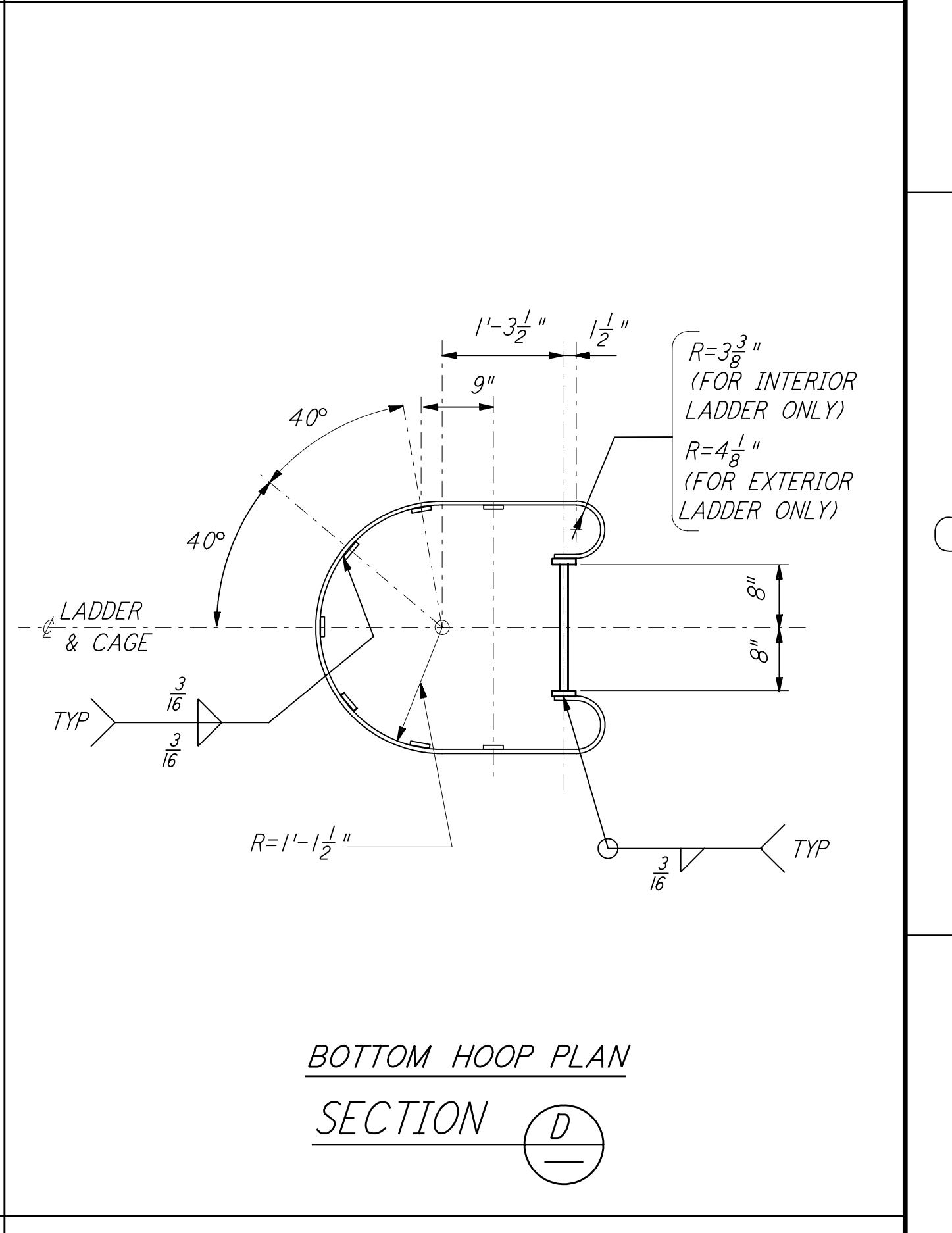
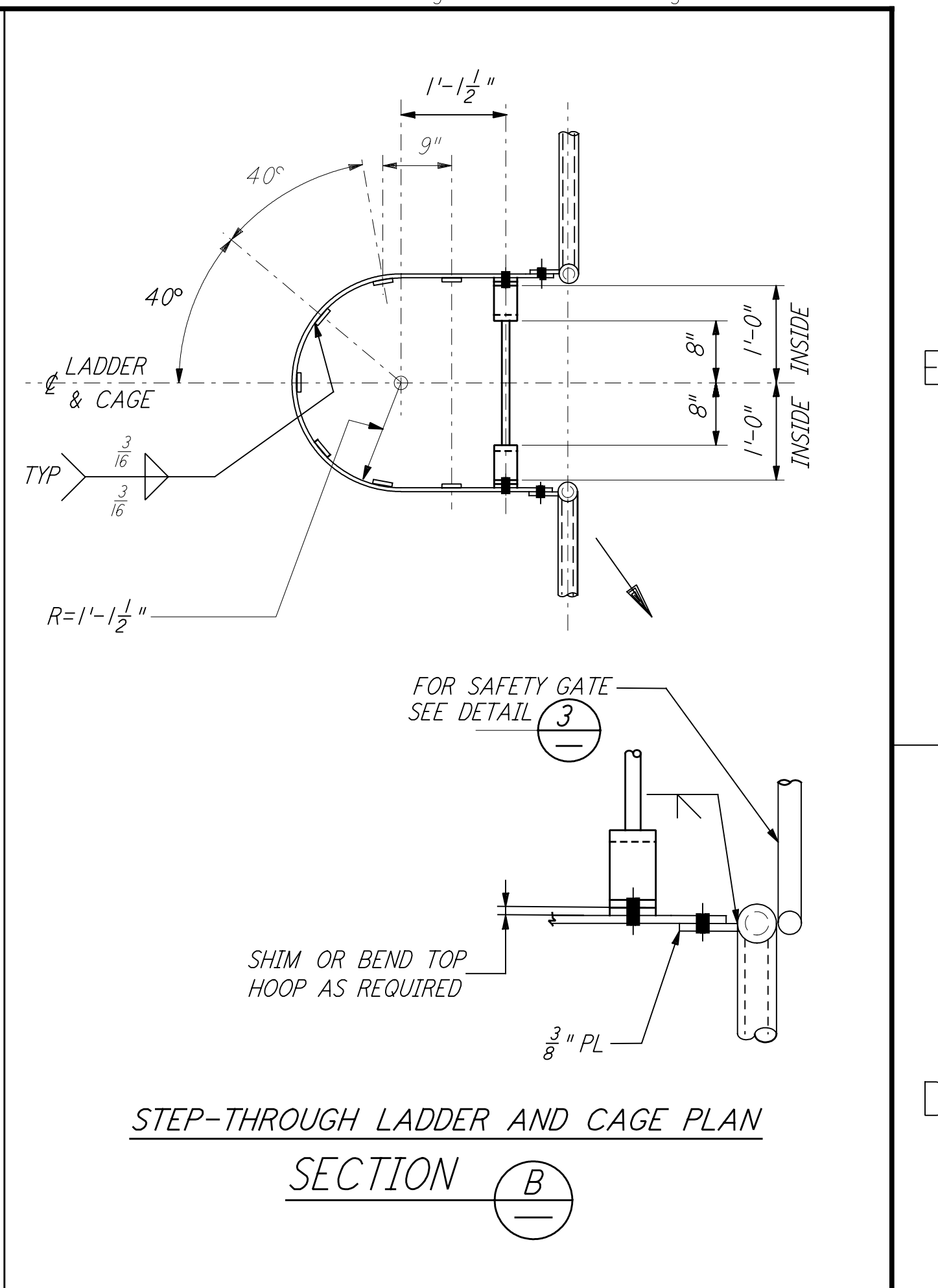
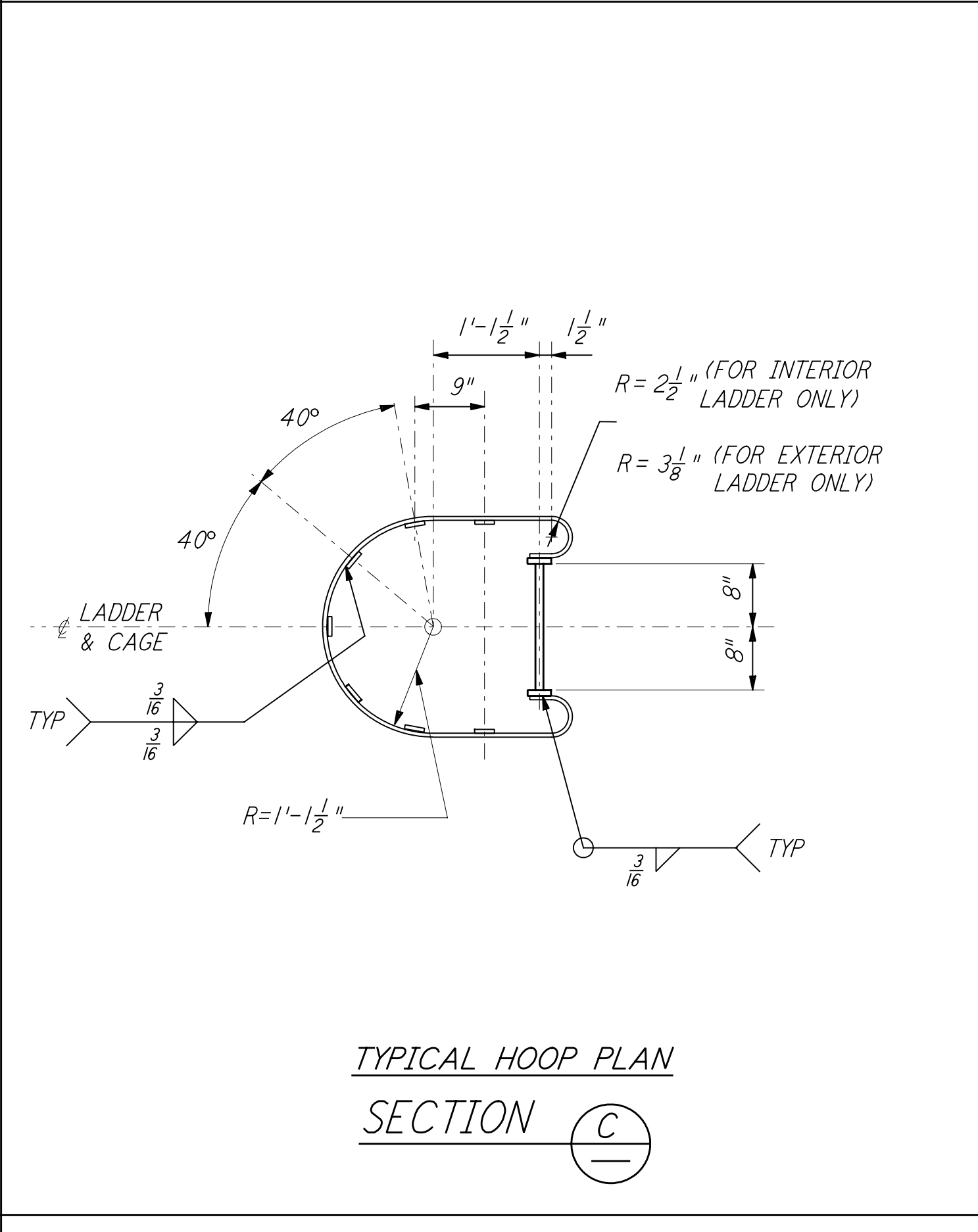
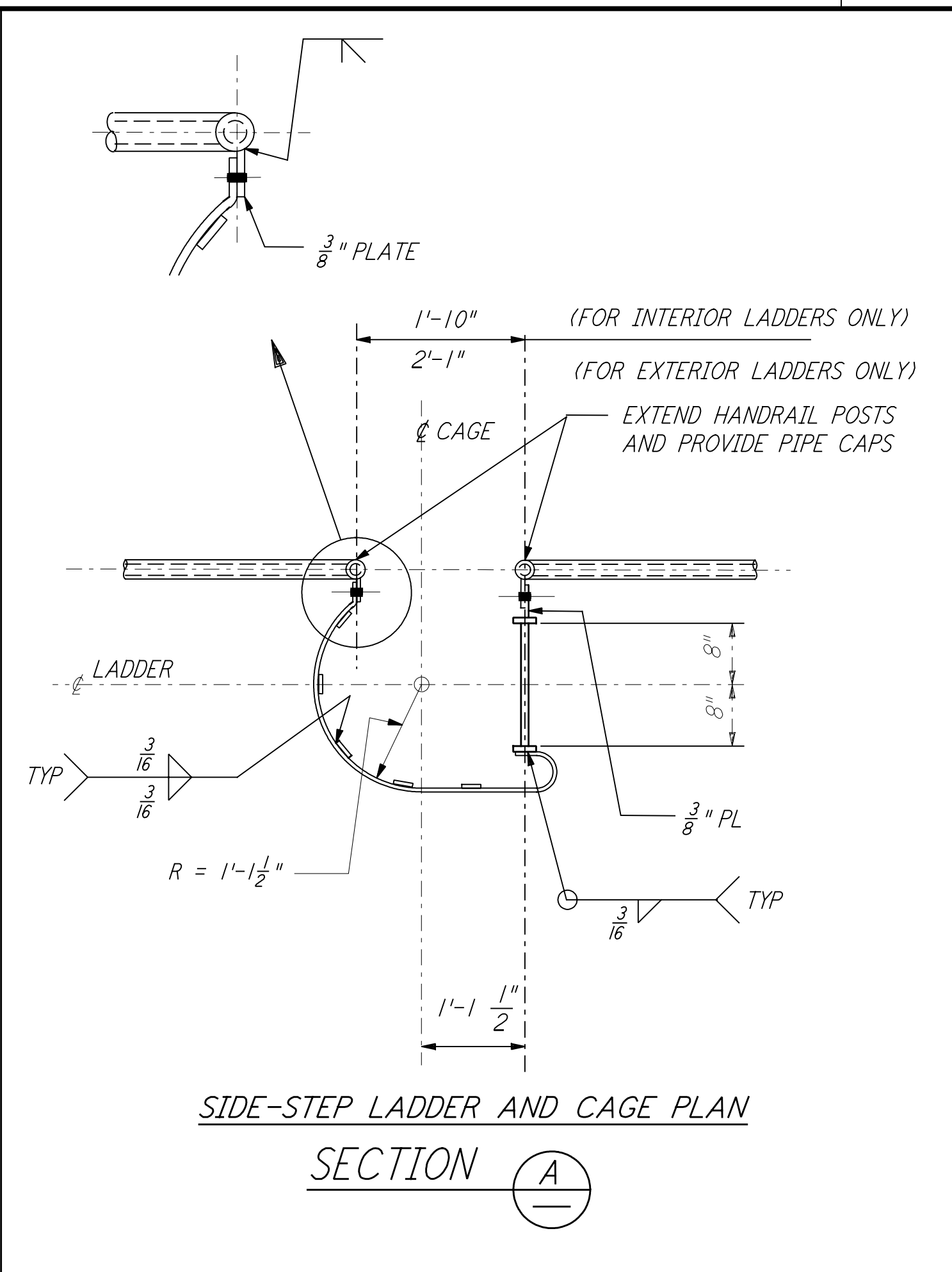
This document and the design it covers are the property of PARSONS. They are loaned only with the borrower's expressed written agreement that they will not be reproduced, copied, loaned, exhibited, or used in any other way, except by written consent from PARSONS to the borrower.



UNSUPPORTED LENGTH	STRINGER SIZE
8'-0" OR LESS	BAR 2 1/2" X 3/8"
OVER 8'-0" TO 18'-0"	L 2 1/2" X 2 X 2 1/8"
OVER 18'-0" TO 24'-0"	L 3 X 2 X 2 1/8"
OVER 24'-0" TO 30'-0"	L 4 X 3 X 2 1/8"



**NOTE:**  
 FOR INFORMATION NOT SHOWN SEE DETAILS 1 & 2



- NOTES:**
- FOR GENERAL NOTES, SYMBOLS AND ABBREVIATIONS SEE DRAWING S-001.
  - ALL BURRS AND SHARP EDGES SHALL BE REMOVED FROM THE LADDERS, CAGES AND SAFETY BARS.
  - ALL INTERMEDIATE CAGE HOOPS SHALL BE SPACED EQUALLY AND SHALL NOT EXCEED 4 FEET. IF CAGE LENGTH EXCEEDS 20 FEET, LADDER MUST BE EQUIPPED WITH A 3" HOOP PREFERABLY AT THE MIDWAY POINT OF THE CAGE.
  - LADDERS SERVING PLATFORMS OR LANDINGS 4 FEET OR MORE ABOVE GRADE AND ALL PLATFORMS REQUIRING A RAILING SHALL BE EQUIPPED WITH A SAFETY GATE.

NO.	DATE	BY	CHKD	ENGR	PROJ	ISSUED FOR AS-BUILT	DESCRIPTION
1	6-15-98	CKT				ISSUED FOR AS-BUILT	

ISSUED FOR CONSTRUCTION			
DRAWN	MCS	6-24-96	
CHECKED	DDM	7-2-96	
ENGINEER	BP	6-28-96	
PROJ	MOW	7-9-96	

**AS-BUILT DRAWINGS**

**PARSONS**  
 100 WEST WALNUT STREET  
 PASADENA, CALIFORNIA

**LIGO**  
 CALIFORNIA INSTITUTE OF TECHNOLOGY  
 MASSACHUSETTS INSTITUTE OF TECHNOLOGY

**LASER INTERFEROMETER GRAVITATIONAL-WAVE OBSERVATORY SITE NO. 1 - HANFORD, WASHINGTON**

TITLE	STRUCTURAL STANDARD	SHEET NUMBER	NONE	PP150969	PROJECT NUMBER	8094
	STRUCTURAL STEEL LADDER DETAILS	SCALE			REVISIONS	
				<b>WA-S-008</b>		

LIGO-D960293-01-O