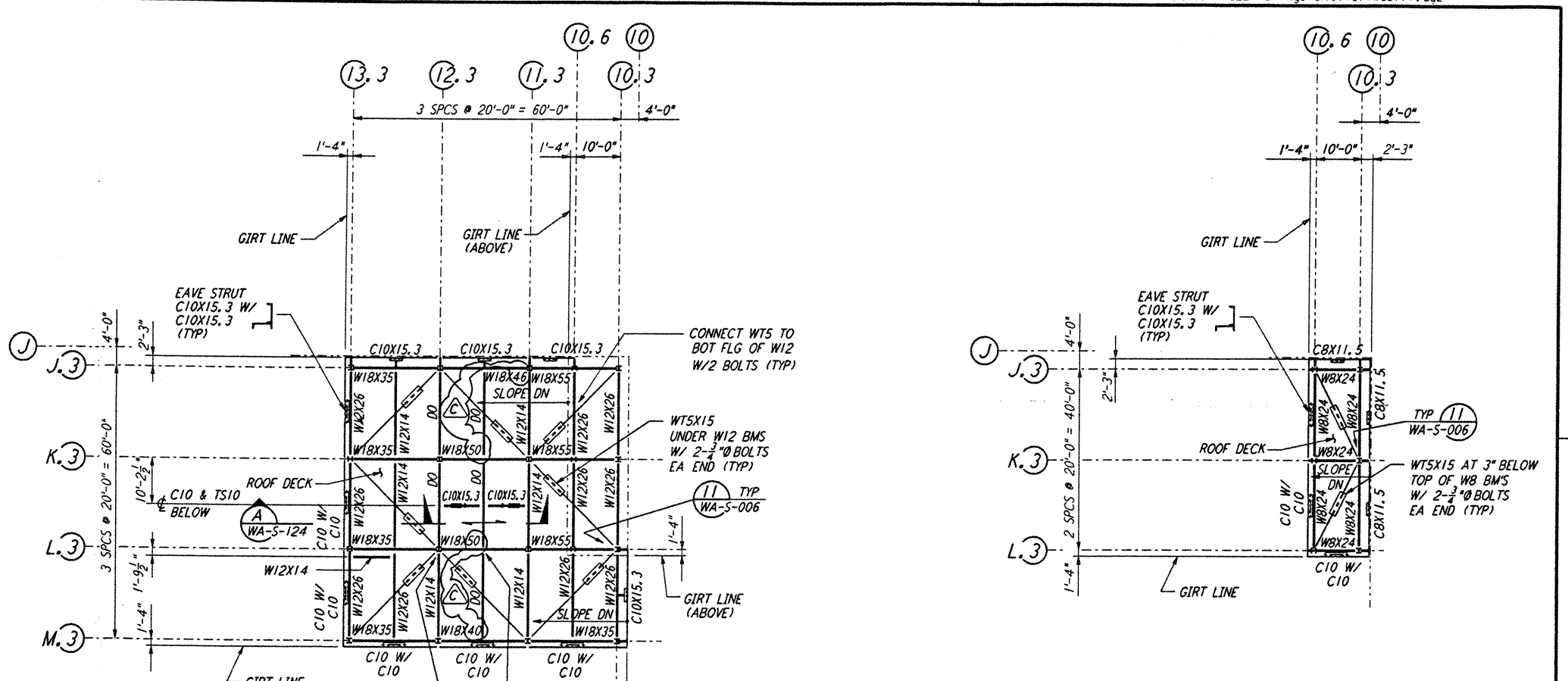
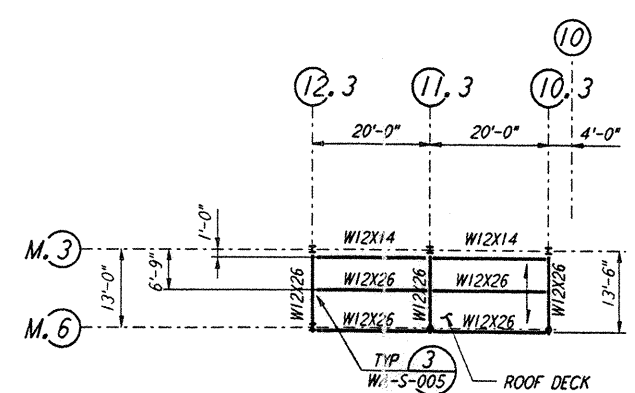


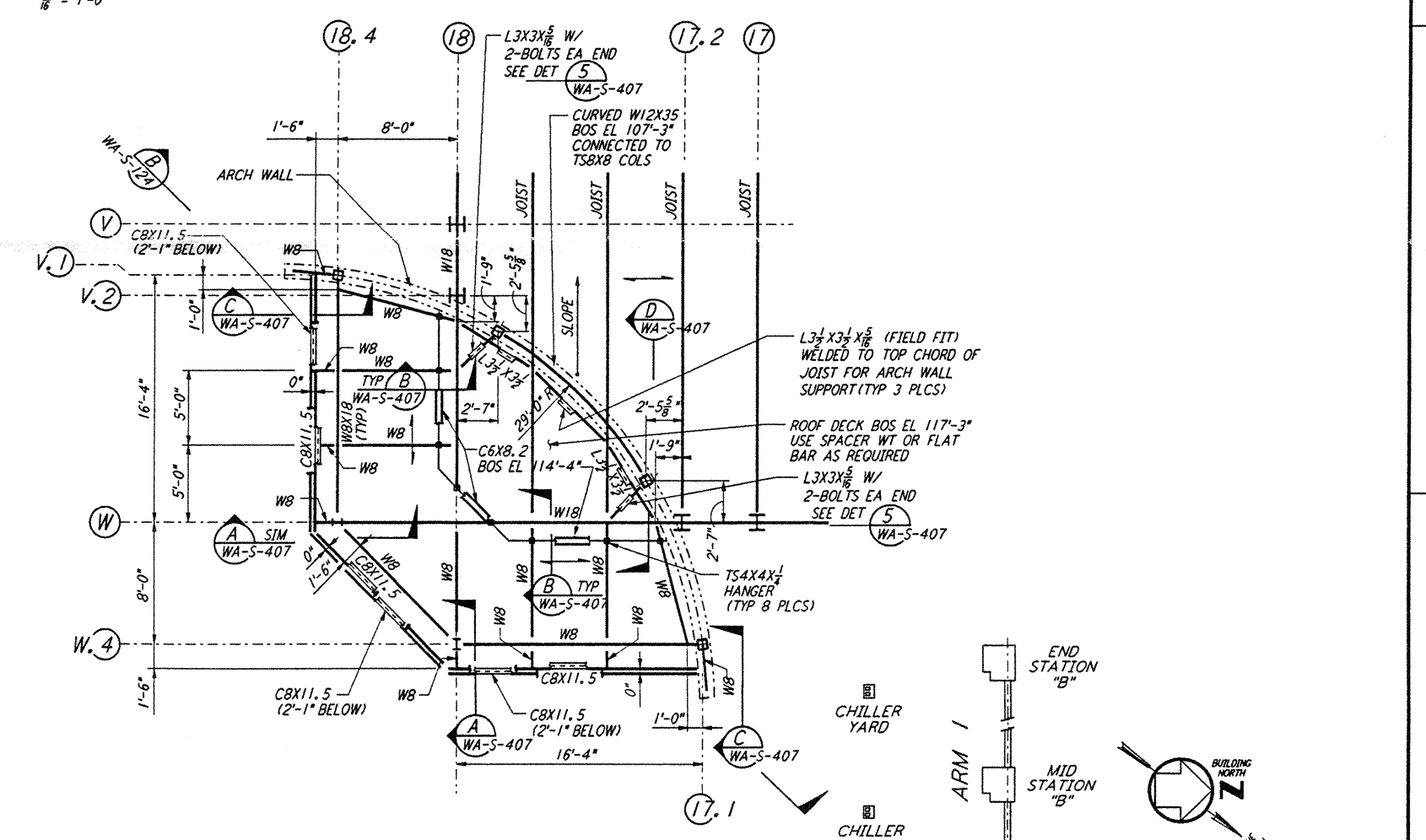
**LOW ROOF FRAMING PLAN**  
 $\frac{1}{8}'' = 1'-0''$



**HIGH ROOF FRAMING PLAN**  
 $\frac{1}{8}'' = 1'-0''$

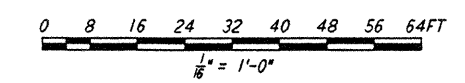


**CANOPY FRAMING PLAN**  
 $\frac{1}{8}'' = 1'-0''$

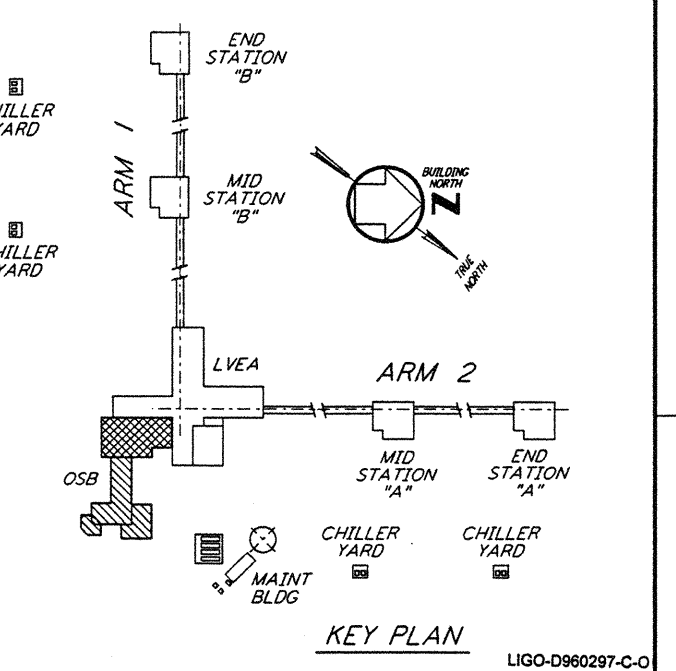


**ENLARGED FRAMING PLAN**  
 $\frac{1}{8}'' = 1'-0''$

**NOTE:**  
 1. FOR STRUCTURAL GENERAL NOTES, ABBREVIATIONS AND LEGEND, SEE DWG WA-S-001.



**DUCT ENCLOSURE ROOF PLAN**  
 $\frac{1}{4}'' = 1'-0''$



**KEY PLAN**  
 LIGO-D960297-C-0

This document and the design it covers are the property of PARSONS. They are loaned only with the borrower's expressed written agreement that they will not be reproduced, copied, loaned, exhibited, or used in any other way, except by written consent from PARSONS to the borrower.

NO.	DATE	BY	CHKD	ENGR	PROJ	DESCRIPTION
C	5-22-96	MCS	BP	TDM		BID ADDENDUM #2
B	4-19-96	MCS	BP	TDM		FINAL DESIGN REVIEW & BID
A	10-31-95			TDM		PRELIMINARY DESIGN REVIEW

DRAWN	MCS
CHECKED	
ENGINEER	
PROJ	

**PARSONS**  
 100 WEST WALNUT STREET  
 PASADENA, CALIFORNIA

**LIGO**  
 CALIFORNIA INSTITUTE OF TECHNOLOGY  
 MASSACHUSETTS INSTITUTE OF TECHNOLOGY

LASER INTERFEROMETER GRAVITATIONAL-WAVE OBSERVATORY SITE NO. 1 - HANFORD, WASHINGTON	
STRUCTURAL CORNER STATION OSB ROOF FRAMING PLANS	AS NOTED PPI 50969 8094
WA-S-117	