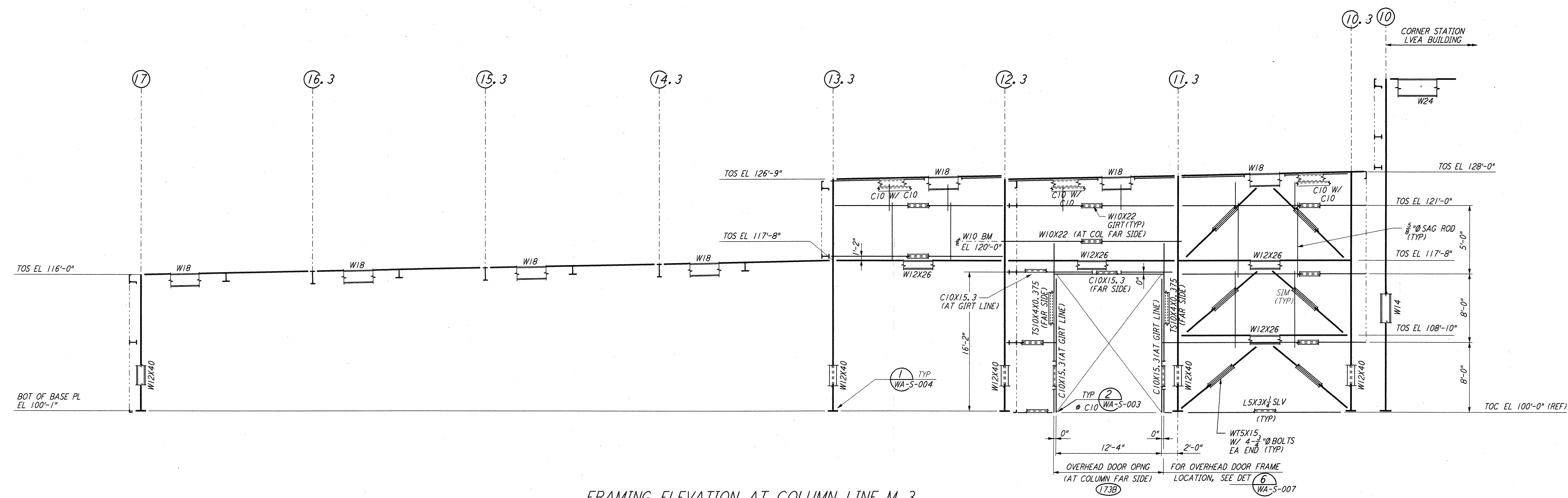
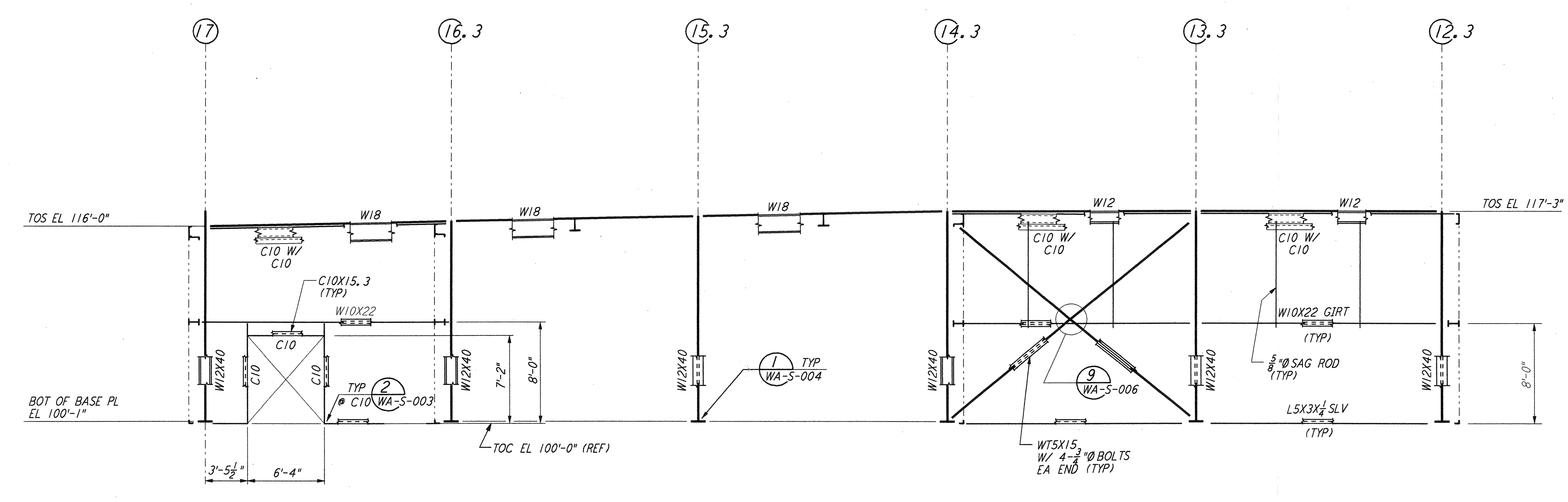


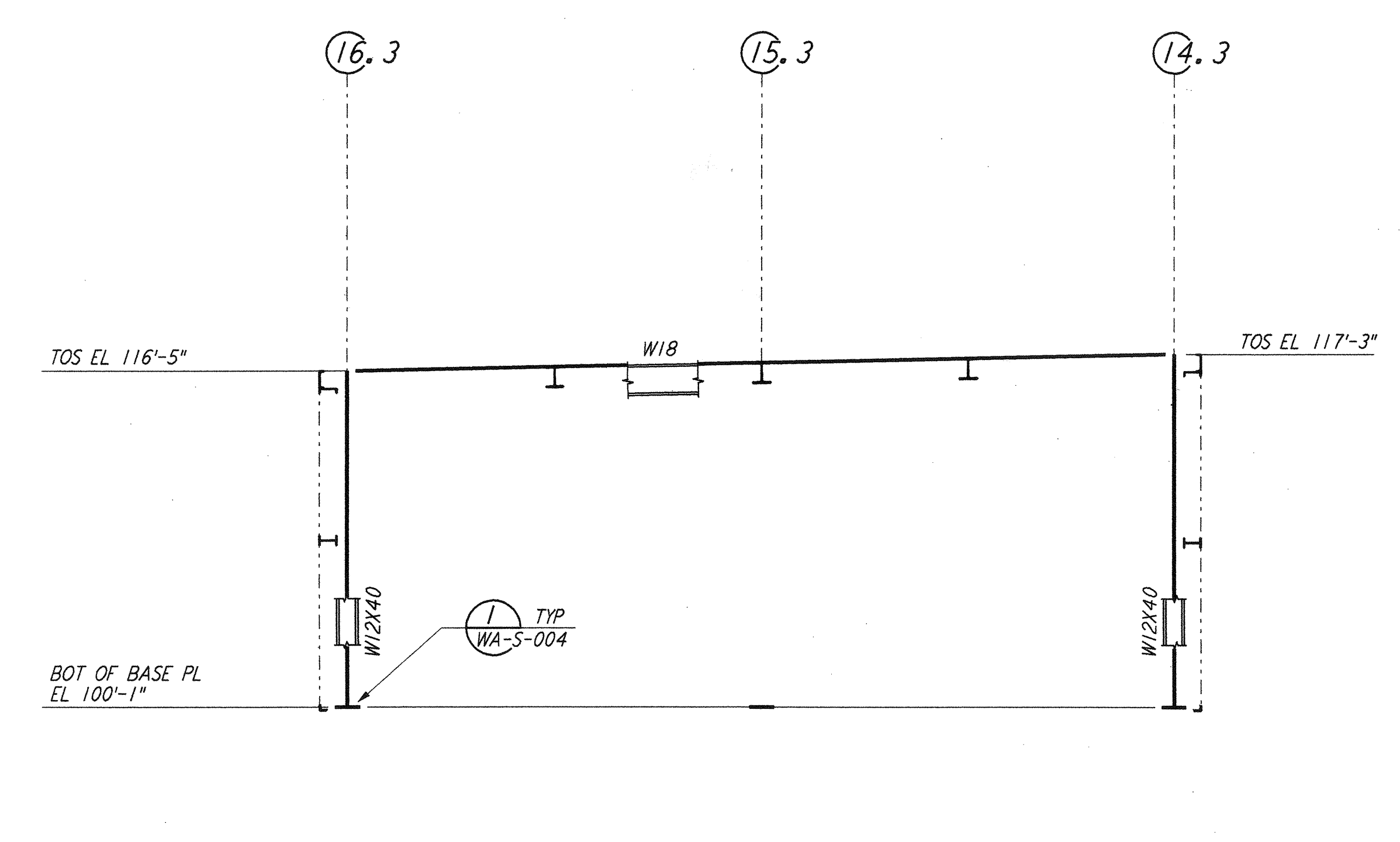
This document and the design it covers are the property of PARSONS. They are loaned only with the borrower's expressed written agreement that they will not be reproduced, copied, loaned, exhibited, or used in any other way, except by written consent from PARSONS to the borrower.



FRAMING ELEVATION AT COLUMN LINE M.3
 $\frac{3}{16}'' = 1'-0''$

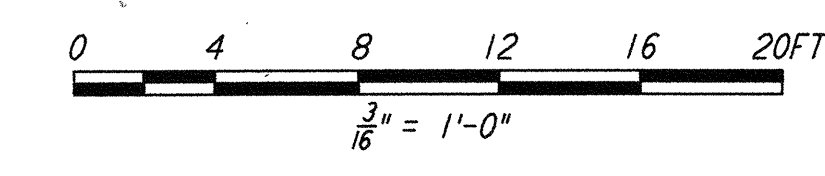


FRAMING ELEVATION AT COLUMN LINE N.3
 $\frac{3}{16}'' = 1'-0''$



FRAMING ELEVATION AT COLUMN LINE P.3, R, S & T
 $\frac{3}{16}'' = 1'-0''$

- NOTES:**
- FOR GENERAL NOTES, ABBREVIATIONS AND SYMBOLS SEE DRAWING WA-S-001.
 - FOR CHANNEL, GIRTS AND EAVE STRUT CONNECTION DETAILS SEE DRAWING WA-S-005.
 - FOR W-BEAM TO COLUMN WEB/FLANGE CONNECTIONS, SEE DETAILS 6, 7, 8, 9 & 10 UNLESS OTHERWISE NOTED.
 - FOR BASE ANGLE (LSX3) CONNECTIONS, SEE SECTION A.
 - FOR VERT BRGC CONNECTIONS SEE 2, 3, 4, 5, 6, 7, 8, 9, 10 TYP UNON.



NO.	DATE	BY	CHKD	ENGR	PROJ	DESCRIPTION
1	6-15-98	CKT	BP	BP	MDW	ISSUED FOR AS-BUILT

ISSUED FOR CONSTRUCTION			
DRAWN	MCS	6-24-96	
CHECKED	DDM	7-2-96	
ENGINEER	BP	6-28-96	
PROJ	MDW	7-9-96	

AS-BUILT DRAWINGS

100 WEST WALNUT STREET
PASADENA, CALIFORNIA

CALIFORNIA INSTITUTE OF TECHNOLOGY
MASSACHUSETTS INSTITUTE OF TECHNOLOGY

LIGO-D960299-01-0

LASER INTERFEROMETER
GRAVITATIONAL-WAVE OBSERVATORY
SITE NO.1 - HANFORD, WASHINGTON

TITLE	AS NOTED	CONTRACT NUMBER	PROJECT NUMBER
STRUCTURAL CORNER STATION OSB FRAMING ELEVATIONS SHEET 2	PP150969	8094	
SHEET NUMBER	WA-S-119		