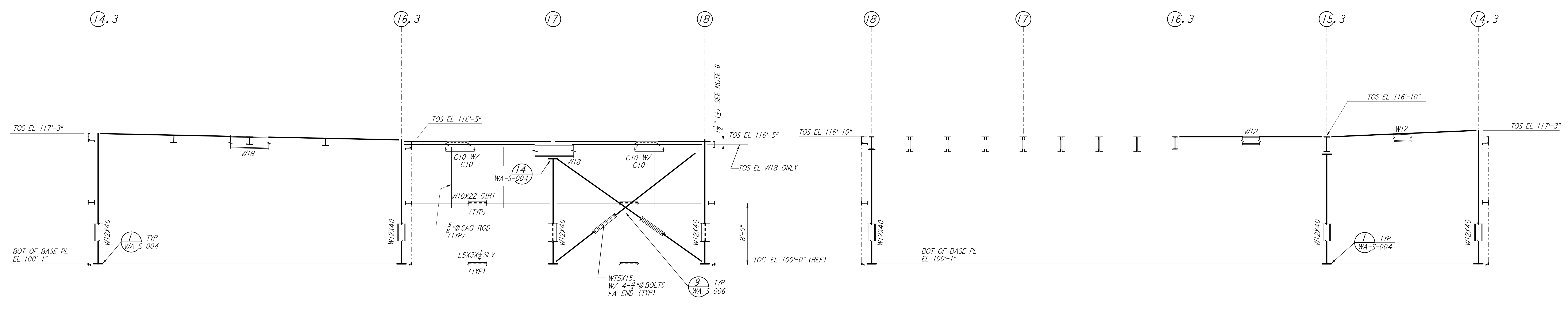
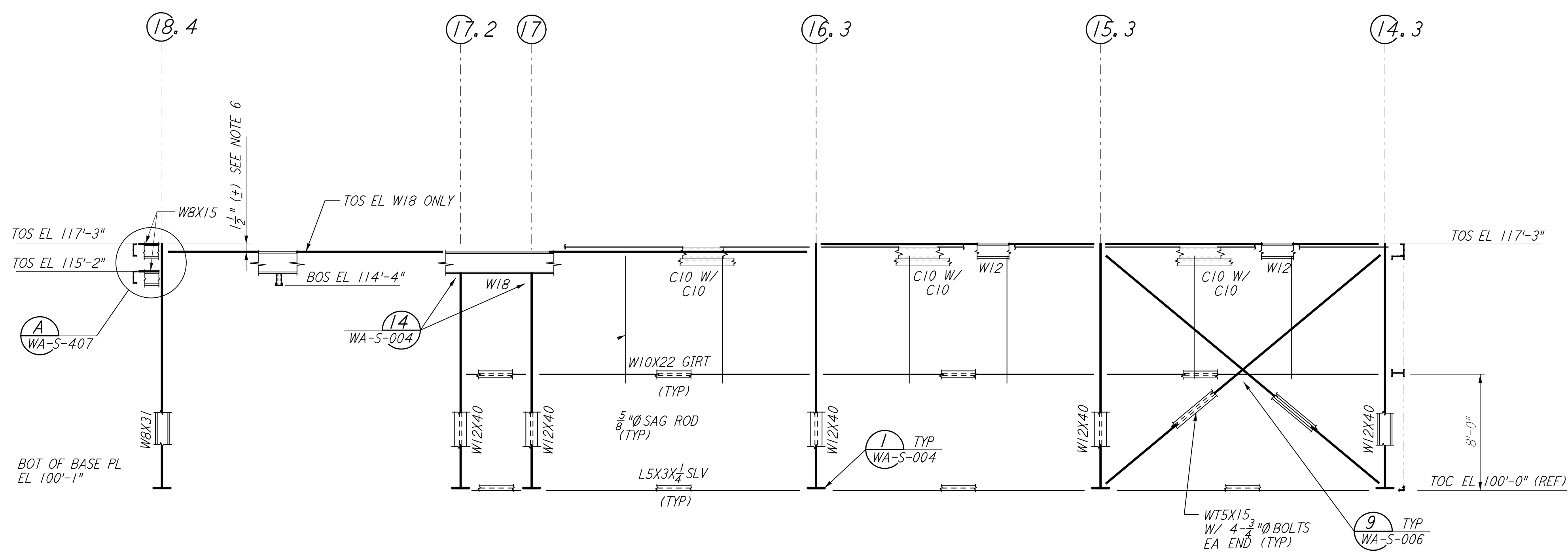


This document and the design it covers are the property of PARSONS. They are loaned only with the borrower's expressed written agreement that they will not be reproduced, copied, loaned, exhibited, or used in any other way, except by written consent from PARSONS to the borrower.

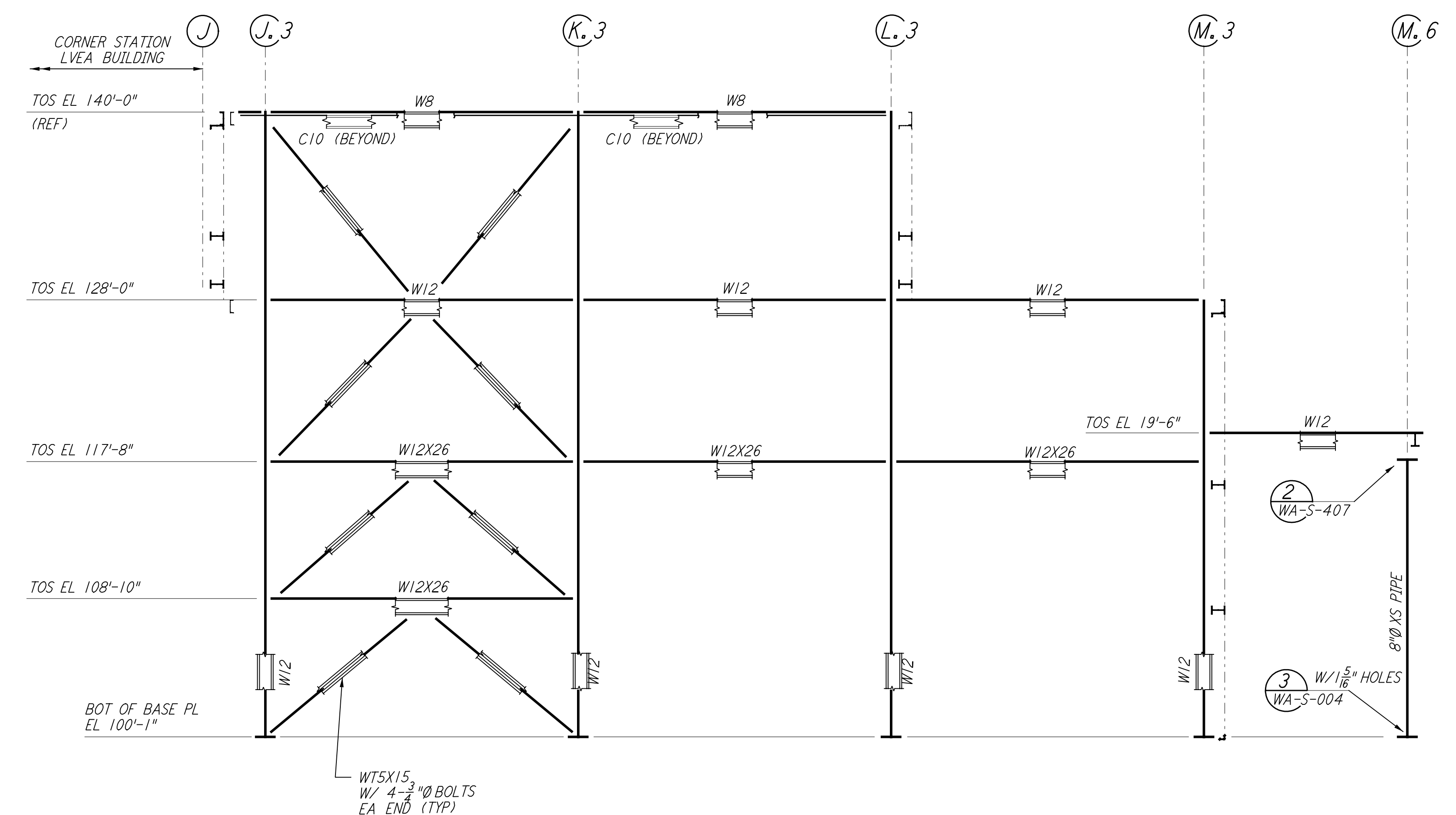


FRAMING ELEVATION AT COLUMN LINE U
 $\frac{3}{16}'' = 1'-0''$

FRAMING ELEVATION AT COLUMN LINE V
 $\frac{3}{16}'' = 1'-0''$

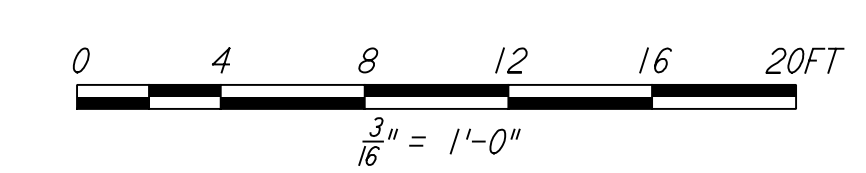


FRAMING ELEVATION AT COLUMN LINE W
 $\frac{3}{16}'' = 1'-0''$



FRAMING ELEVATION AT COLUMN LINE 10.3
 $\frac{3}{16}'' = 1'-0''$

- NOTES:**
- FOR GENERAL NOTES, ABBREVIATIONS AND SYMBOLS SEE DRAWING WA-S-001.
 - FOR CHANNEL, GIRT AND EAVE STRUT CONNECTION DETAILS SEE DRAWING WA-S-005.
 - FOR W BEAM TO COLUMN WEB/FLANGE CONNECTIONS, SEE DETAILS (3) WA-S-007 & (4) WA-S-007 TYPICAL UNLESS OTHERWISE NOTED.
 - FOR BASE ANGLE (L5X3) CONNECTIONS, SEE SECTION (A) WA-S-003.
 - FOR VERT BRGC CONNECTIONS SEE (2) WA-S-006, (8) WA-S-006, (1) WA-S-007, (2) WA-S-007 TYP UNON.
 - FABRICATOR TO ADJUST THIS DIMENSION BASED ON ACTUAL DEPTH OF THE TOP CHORD OF OPEN WEB JOISTS.



LIGO-D960300-01-0

ISSUED FOR CONSTRUCTION		DRAWN		MCS	6-24-96
CHECKED		DDM	7-2-96		
ENGINEER		BP	6-28-96		
PROJ		MDW	7-9-96		
AS-BUILT DRAWINGS					
ISSUED FOR AS-BUILT					
NO.	DATE	BY	CHKD	ENGR	PROJ
1	6-15-98	CKT			
DRAWING NO.		DESCRIPTION			

100 WEST WALNUT STREET
 PASADENA, CALIFORNIA



LASER INTERFEROMETER
 GRAVITATIONAL-WAVE OBSERVATORY
 SITE NO. 1 - HANFORD, WASHINGTON

TITLE	SCALE	PROJECT NUMBER
STRUCTURAL CORNER STATION OSB FRAMING ELEVATIONS SHEET 3	AS NOTED	PP150969 8094
SHEET NUMBER		REVISIONS
WA-S-120		