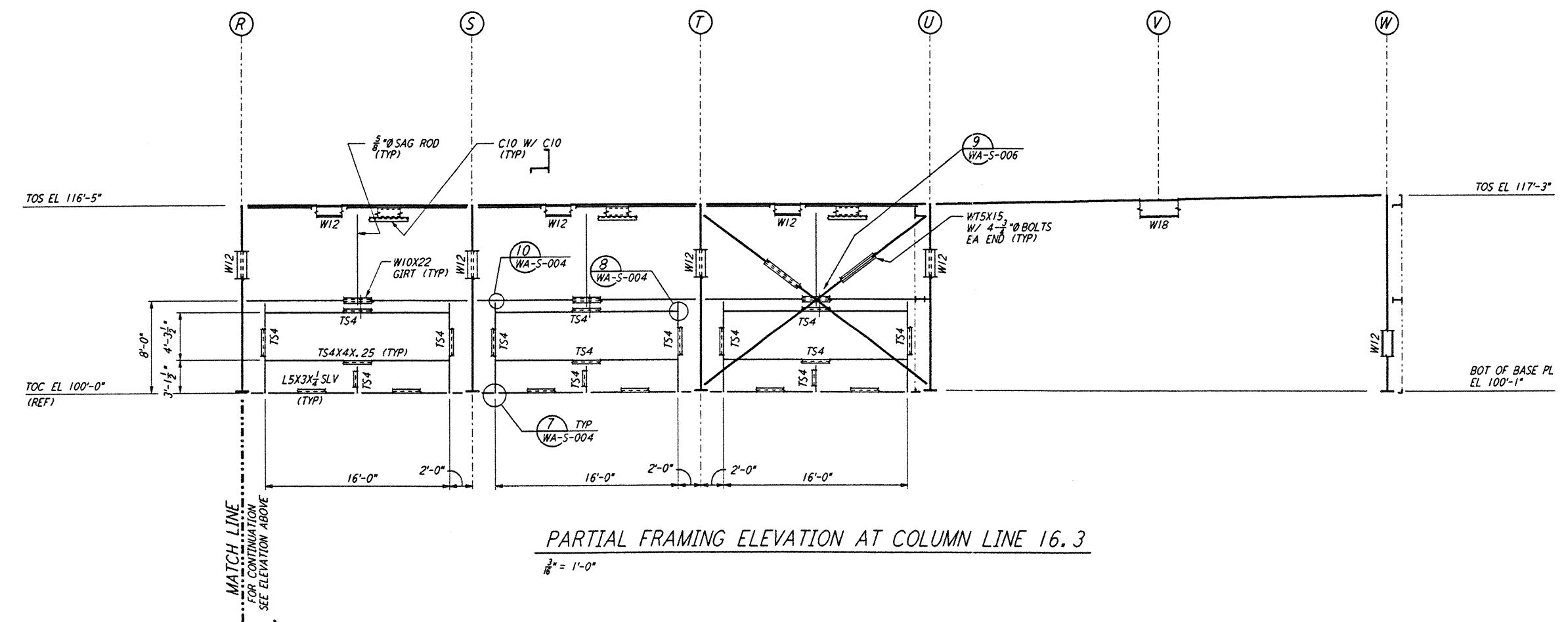
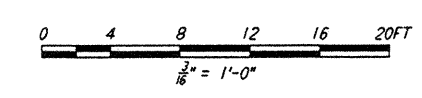


PARTIAL FRAMING ELEVATION AT COLUMN LINE 16.3
 1/8" = 1'-0"



PARTIAL FRAMING ELEVATION AT COLUMN LINE 16.3
 1/8" = 1'-0"

- NOTES:
- FOR GENERAL NOTES, ABBREVIATIONS AND SYMBOLS SEE DRAWING WA-S-001.
 - FOR CHANNEL GIRT AND CAVE STRUT CONNECTION DETAILS SEE DRAWING WA-S-005.
 - FOR W BEAM TO COLUMN WEB/FLANGE CONNECTIONS, SEE DETAILS 6, 7, 8 & 9. 6 & 7 TYPICAL UNLESS OTHERWISE NOTED.
 - FOR BASE ANGLE (LSX3) CONNECTIONS, SEE SECTION A WA-S-003.
 - FOR VERT BRCC CONNECTIONS SEE 2 WA-S-006, 3 WA-S-006, 4 WA-S-007, 5 WA-S-007 TYP UCN.



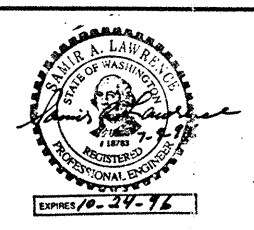
This document and the design it covers are the property of PARSONS. They are loaned only with the borrower's expressed written agreement that they will not be reproduced, copied, loaned, exhibited, or used in any other way, except by written consent from PARSONS to the borrower.

This document and the design it covers are the property of PARSONS. They are loaned only with the borrower's expressed written agreement that they will not be reproduced, copied, loaned, exhibited, or used in any other way, except by written consent from PARSONS to the borrower.

WED JUN 20 12:02:23 1996 5:57:00Z J:\PLUTUS\BUREAU\BUREAU\123\DWG

NO.	DATE	BY	CHKD	ENGR	PROJ	DESCRIPTION

ISSUED FOR CONSTRUCTION	
DRAWN	MCS 6-24-96
CHECKED	SPM 7-2-96
ENGINEER	PL 6-28-96
PROJ	WUW 719196



PARSONS
 100 WEST WALNUT STREET
 PASADENA, CALIFORNIA

LIGO
 CALIFORNIA INSTITUTE OF TECHNOLOGY
 MASSACHUSETTS INSTITUTE OF TECHNOLOGY

LASER INTERFEROMETER
 GRAVITATIONAL-WAVE OBSERVATORY
 SITE NO. 1 - HANFORD, WASHINGTON

STRUCTURAL
 CORNER STATION
 OSB FRAMING ELEVATIONS
 SHEET 6

AS NOTED PPI 50969 8094
WA-S-123