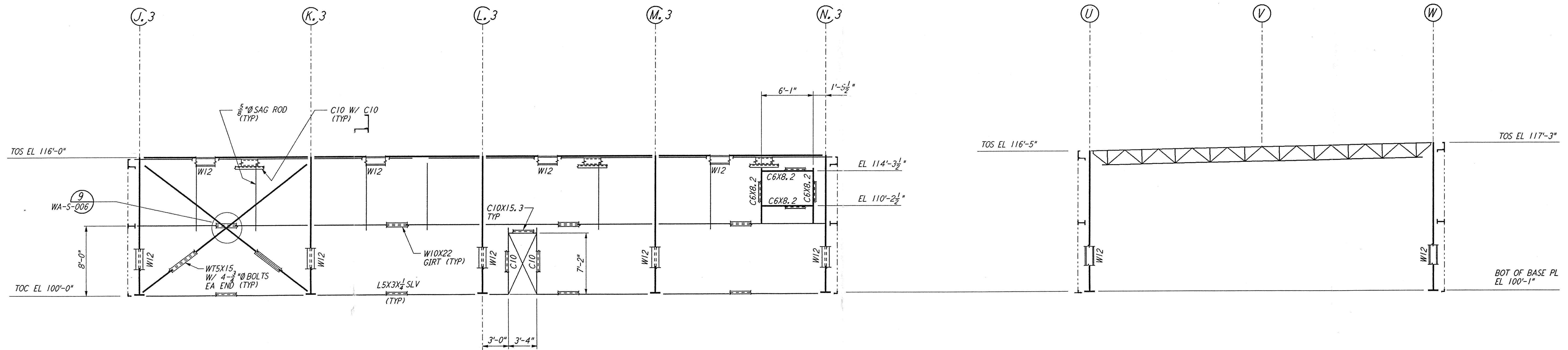
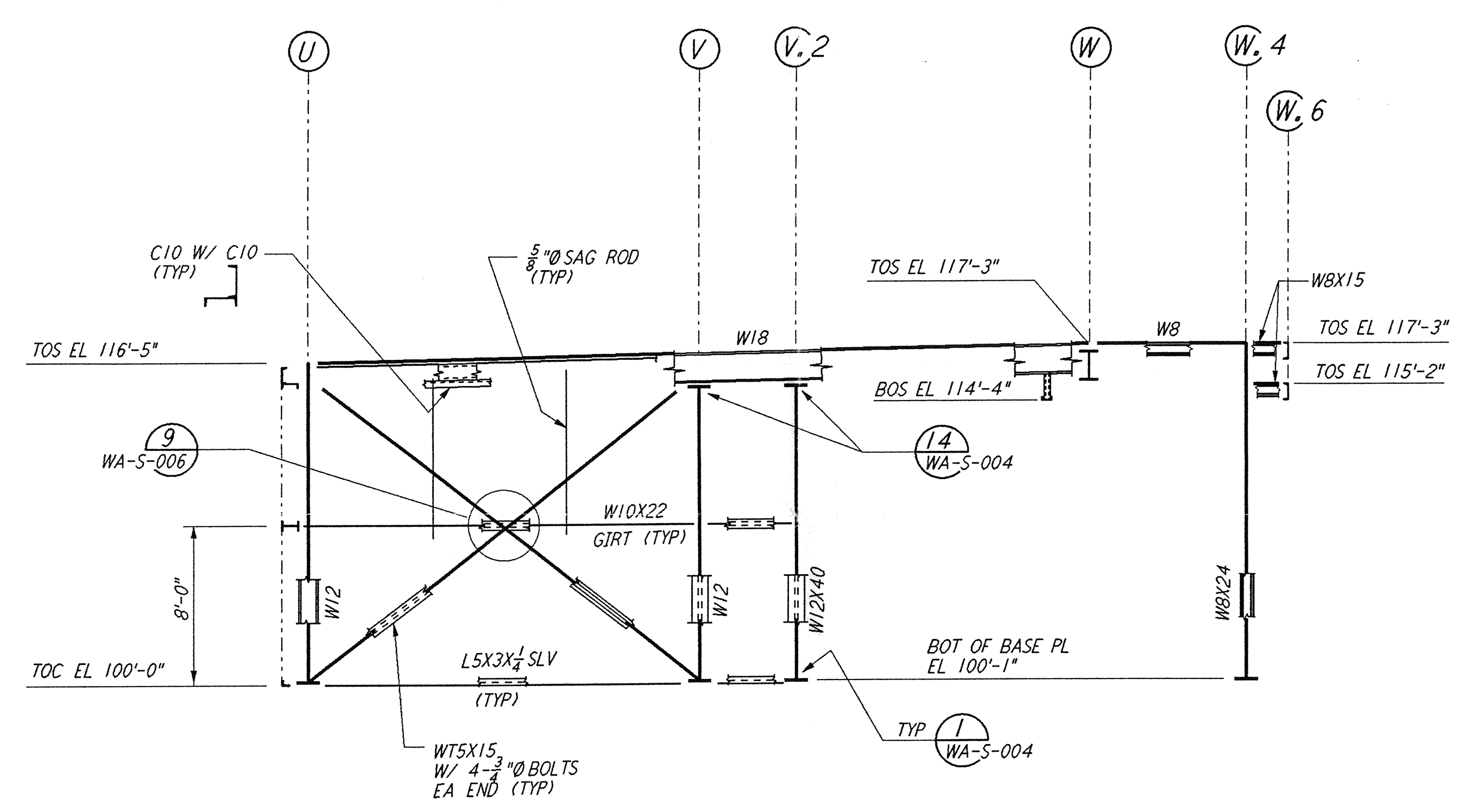


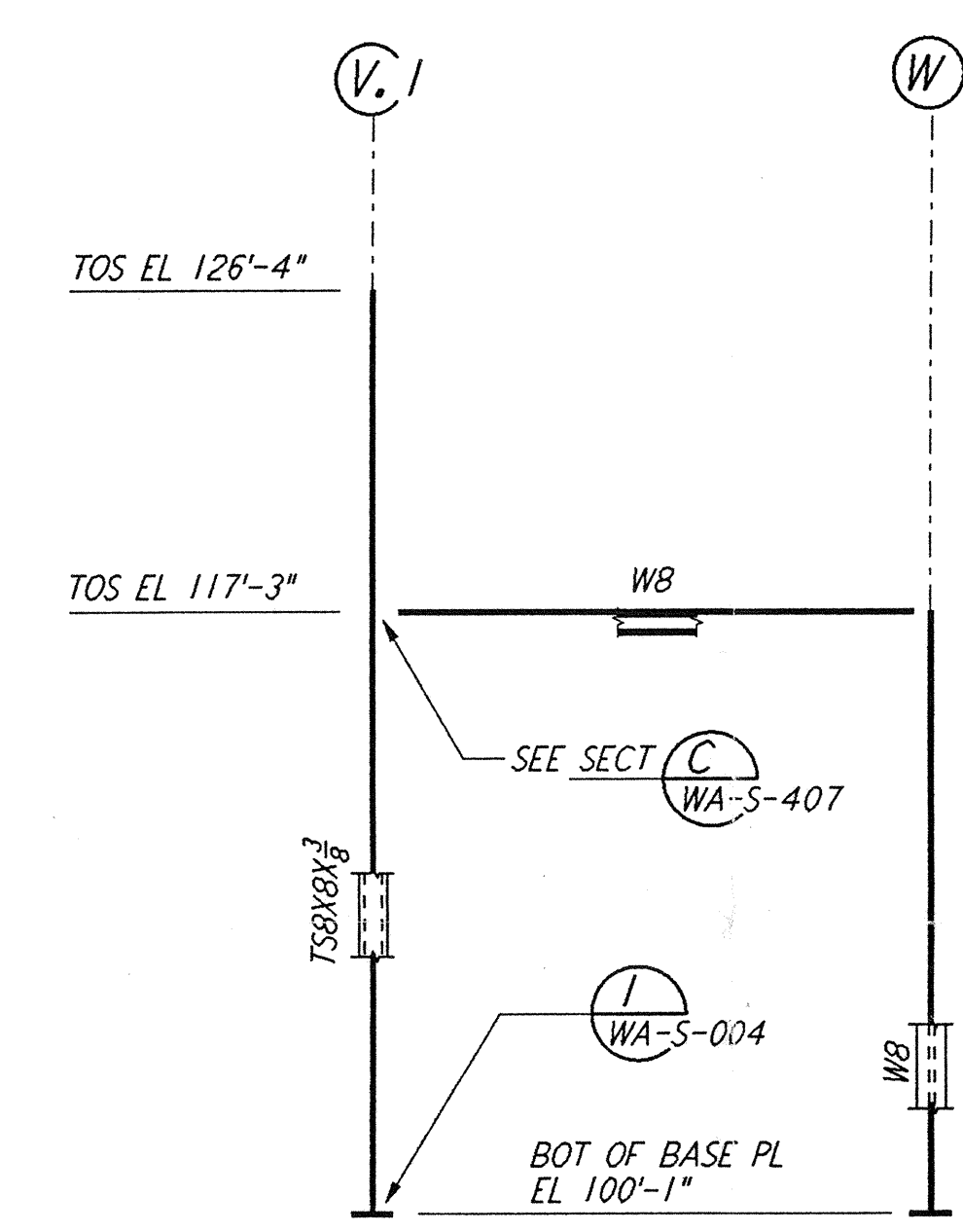
This document and the design it covers are the property of PARSONS. They are loaned only with the borrower's expressed written agreement that they will not be reproduced, copied, loaned, exhibited, or used in any other way, except by written consent from PARSONS to the borrower.



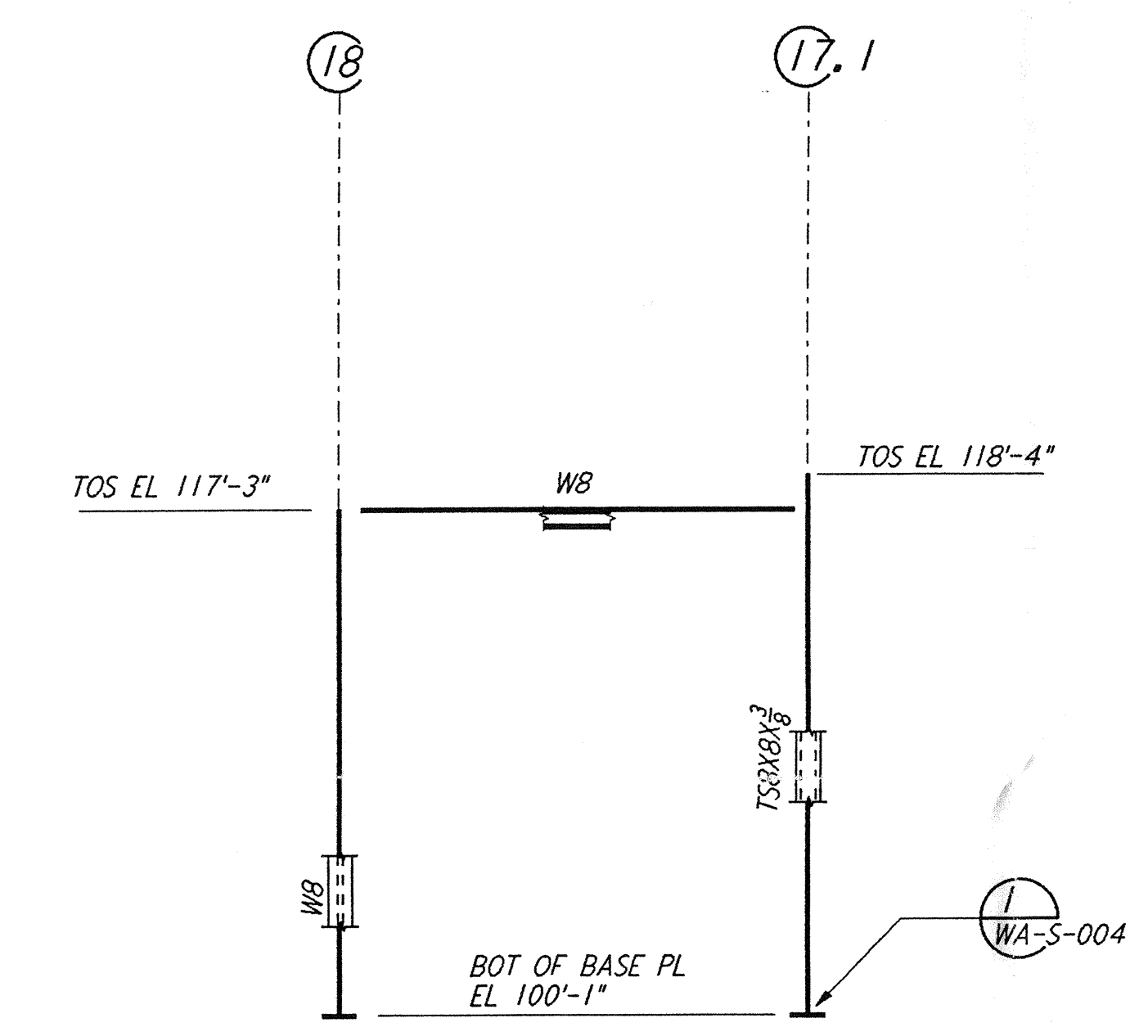
FRAMING ELEVATION AT COLUMN LINE 17  
 $\frac{3}{16}'' = 1'-0''$



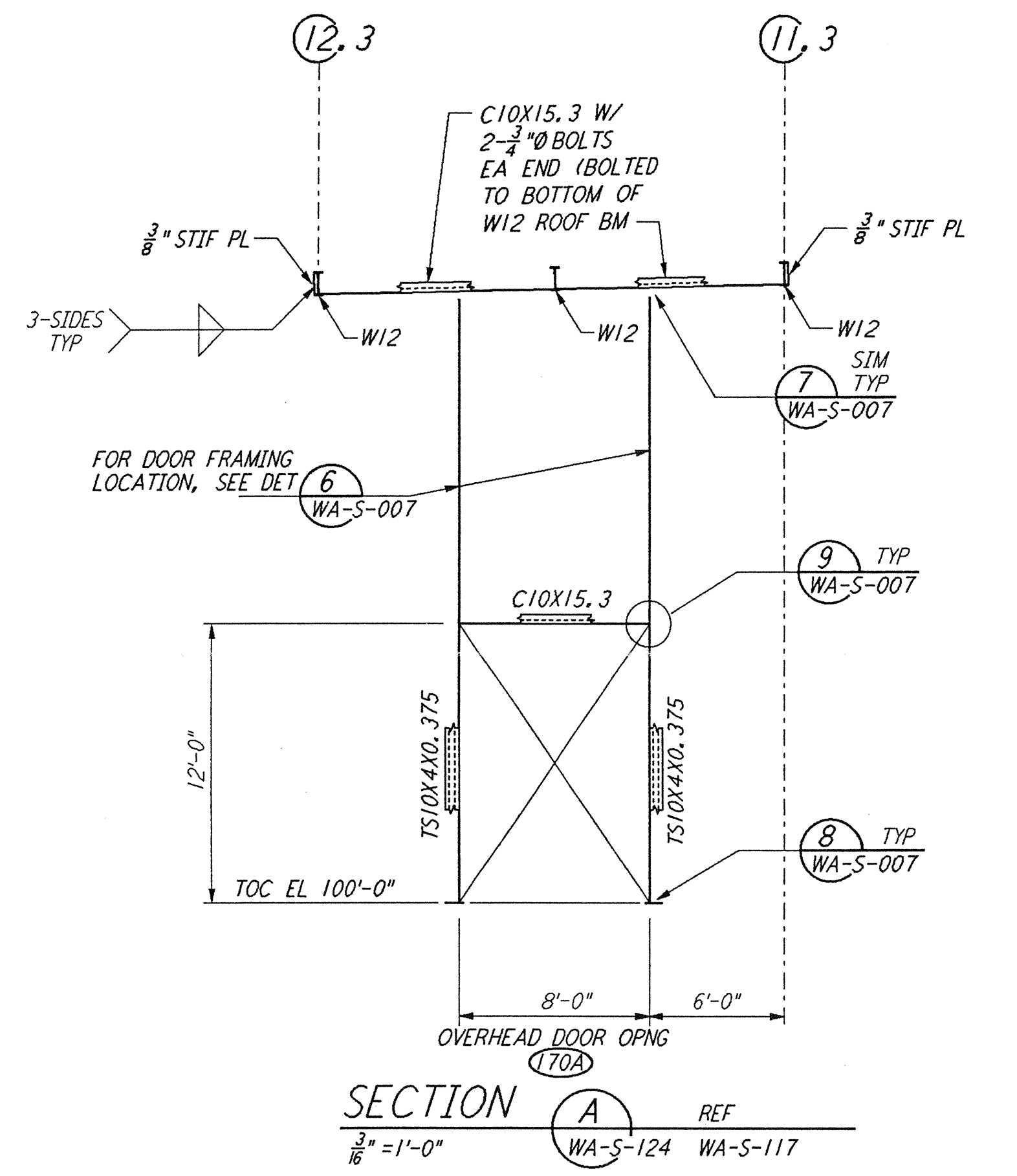
FRAMING ELEVATION AT COLUMN LINE 18  
 $\frac{3}{16}'' = 1'-0''$



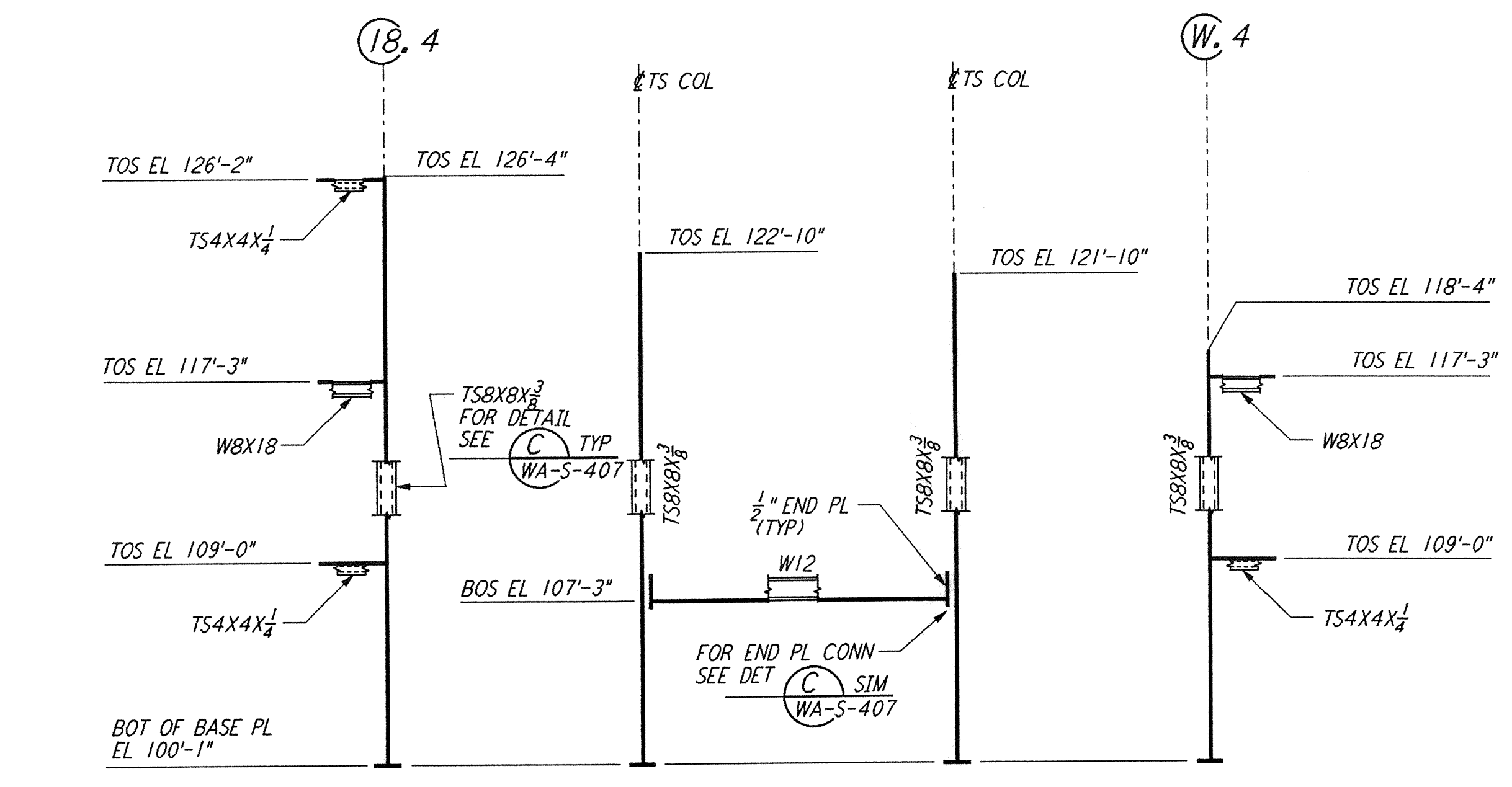
FRAMING ELEVATION AT COLUMN LINE 18.4  
 $\frac{3}{16}'' = 1'-0''$



FRAMING ELEVATION AT COLUMN LINE W.4  
 $\frac{3}{16}'' = 1'-0''$

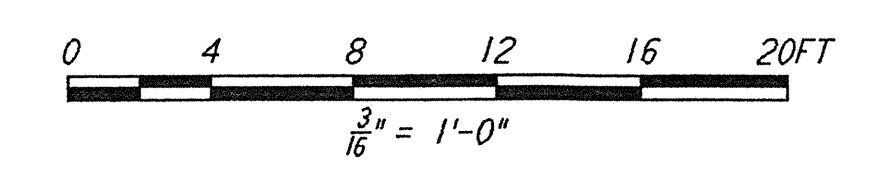


SECTION A REF  
 $\frac{3}{16}'' = 1'-0''$   
 WA-S-124 WA-S-117



DEVELOPED FRAMING ELEVATION  
 $\frac{3}{16}'' = 1'-0''$   
 WA-S-124 WA-S-117

- NOTES:**
- FOR GENERAL NOTES, ABBREVIATIONS AND SYMBOLS SEE DRAWING WA-S-001.
  - FOR CHANNEL, GIRT AND EAVE STRUT CONNECTION DETAILS SEE DRAWING WA-S-005.
  - FOR W BEAM TO COLUMN WEB/FLANGE CONNECTIONS, SEE DETAILS (6) WA-S-004 (3) & (4) WA-S-007 TYPICAL UNLESS OTHERWISE NOTED.
  - FOR BASE ANGLE (LSX3) CONNECTIONS, SEE SECTION (A) WA-S-003.
  - FOR VERT BRGC CONNECTIONS SEE (2) WA-S-006 (8) WA-S-006 (1) WA-S-007 (2) WA-S-007 TYP UON.



NO.	DATE	BY	CHKD	ENGR	PROJ	DESCRIPTION
B	4-19-96	MCS				FINAL DESIGN REVIEW & BID
A	10-31-95					PRELIMINARY DESIGN REVIEW

DRAWN	MCS
CHECKED	
ENGINEER	
PROJ	

**PARSONS**  
 100 WEST WALNUT STREET  
 PASADENA, CALIFORNIA

**LIGO**  
 CALIFORNIA INSTITUTE OF TECHNOLOGY  
 MASSACHUSETTS INSTITUTE OF TECHNOLOGY

LASER INTERFEROMETER  
 GRAVITATIONAL-WAVE OBSERVATORY  
 SITE NO. 1 - HANFORD, WASHINGTON

TITLE	SCALE	CONTRACT NUMBER	PROJECT NUMBER
STRUCTURAL CORNER STATION OSB FRAMING ELEVATIONS SHEET 7	AS NOTED	PP150969	8094
SHEET NUMBER		REVISIONS	
WA-S-124		B	

LIGO-D960304-B-O  
 LIGOWAF.BDR