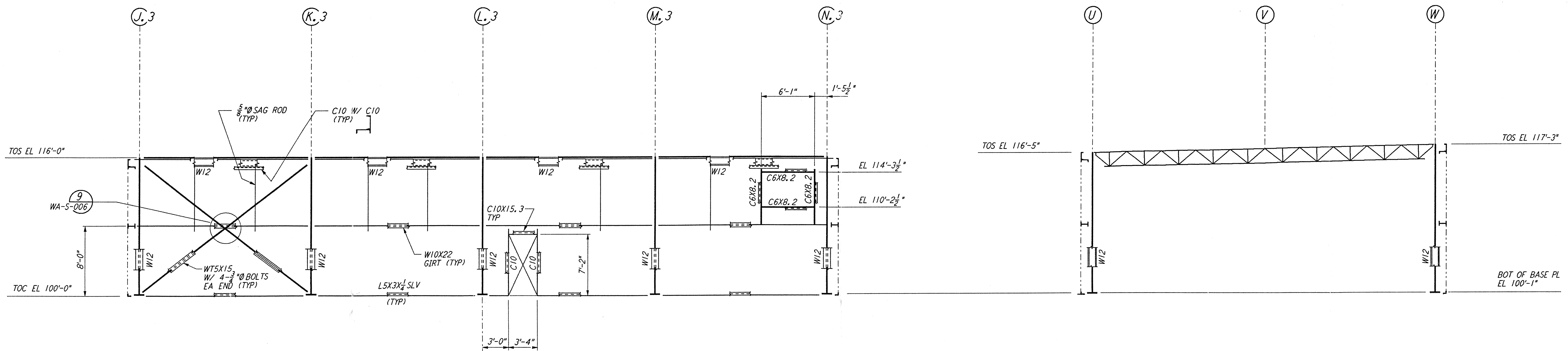
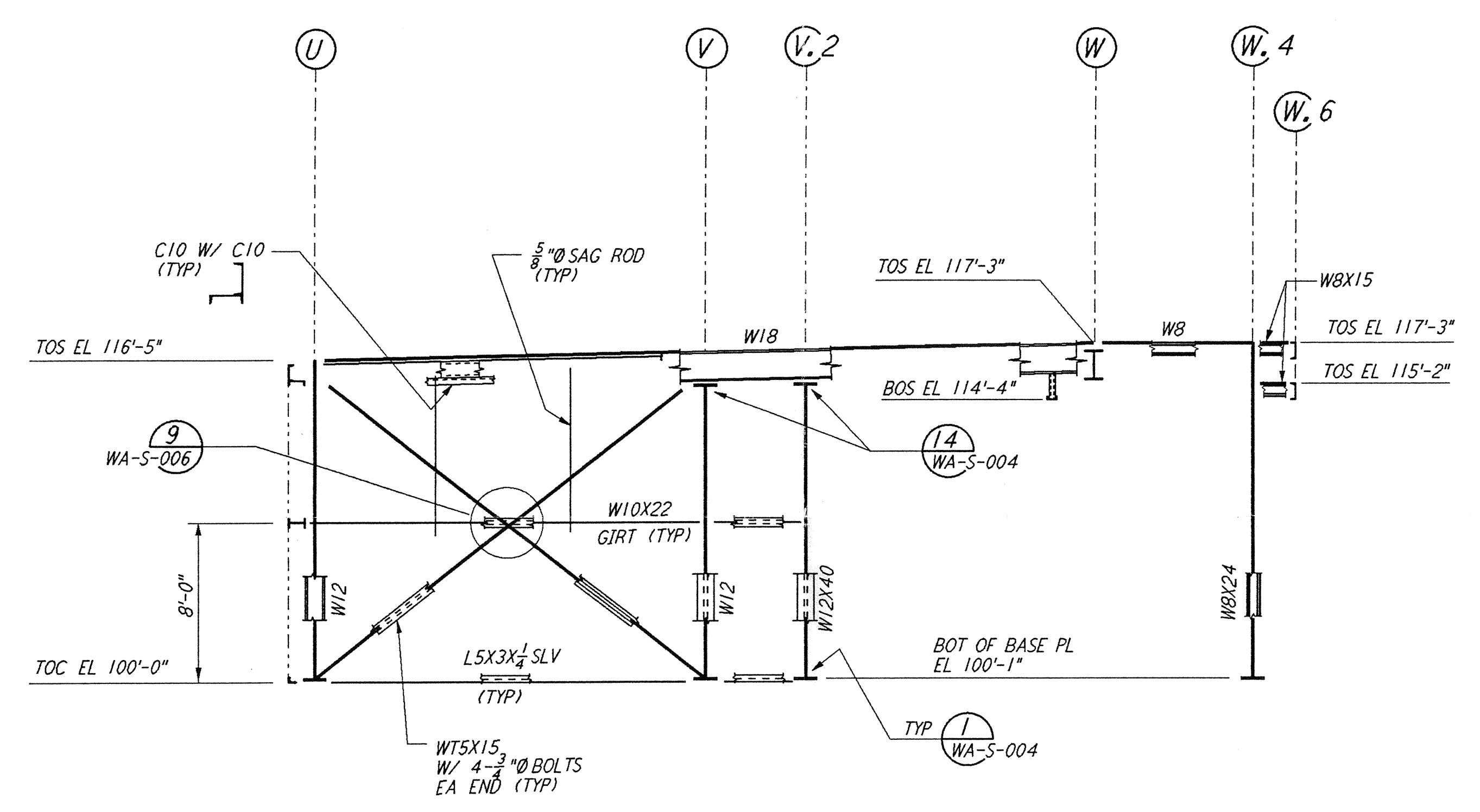


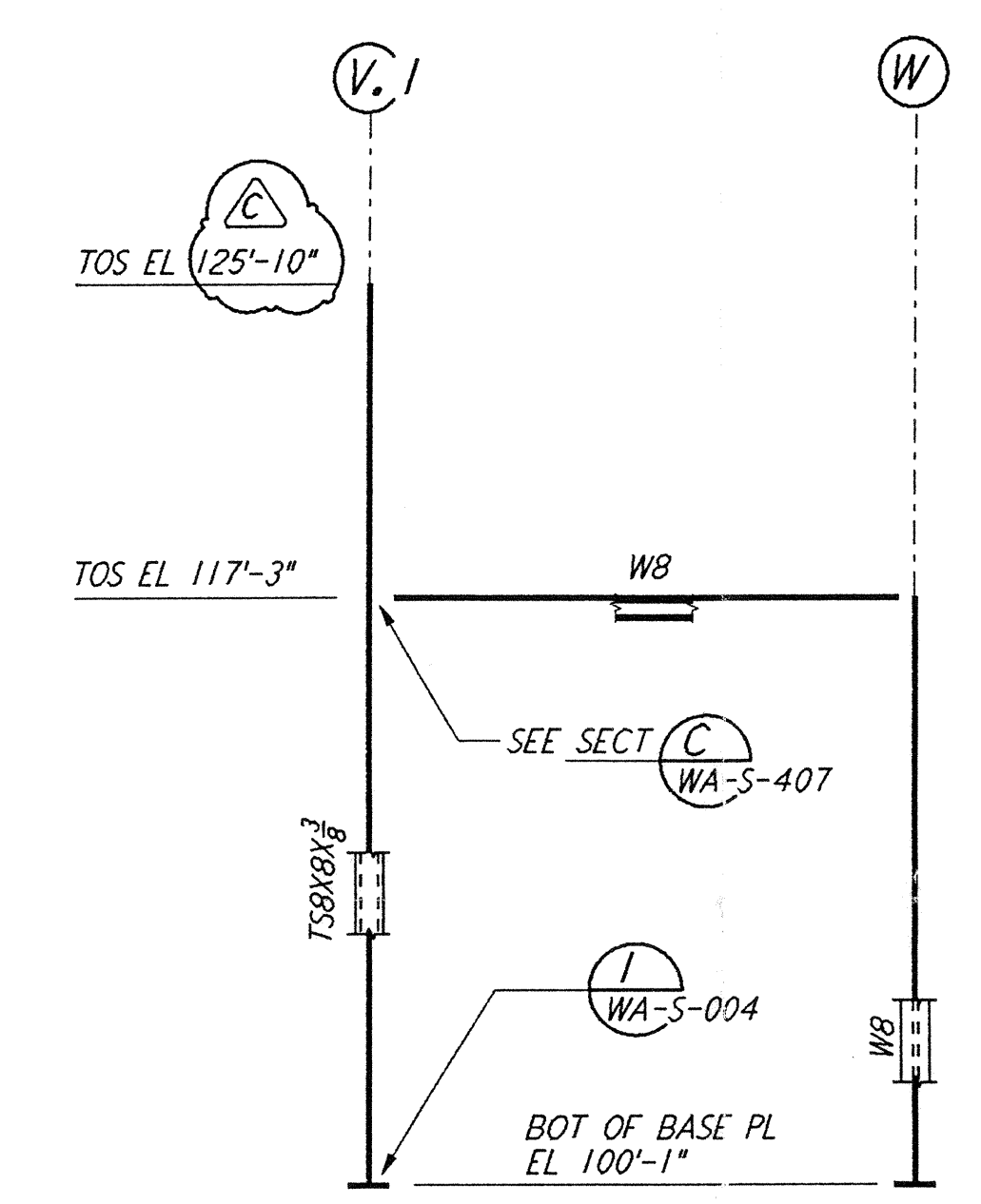
This document and the design it covers are the property of PARSONS. They are loaned only with the borrower's expressed written agreement that they will not be reproduced, copied, loaned, exhibited, or used in any other way, except by written consent from PARSONS to the borrower.



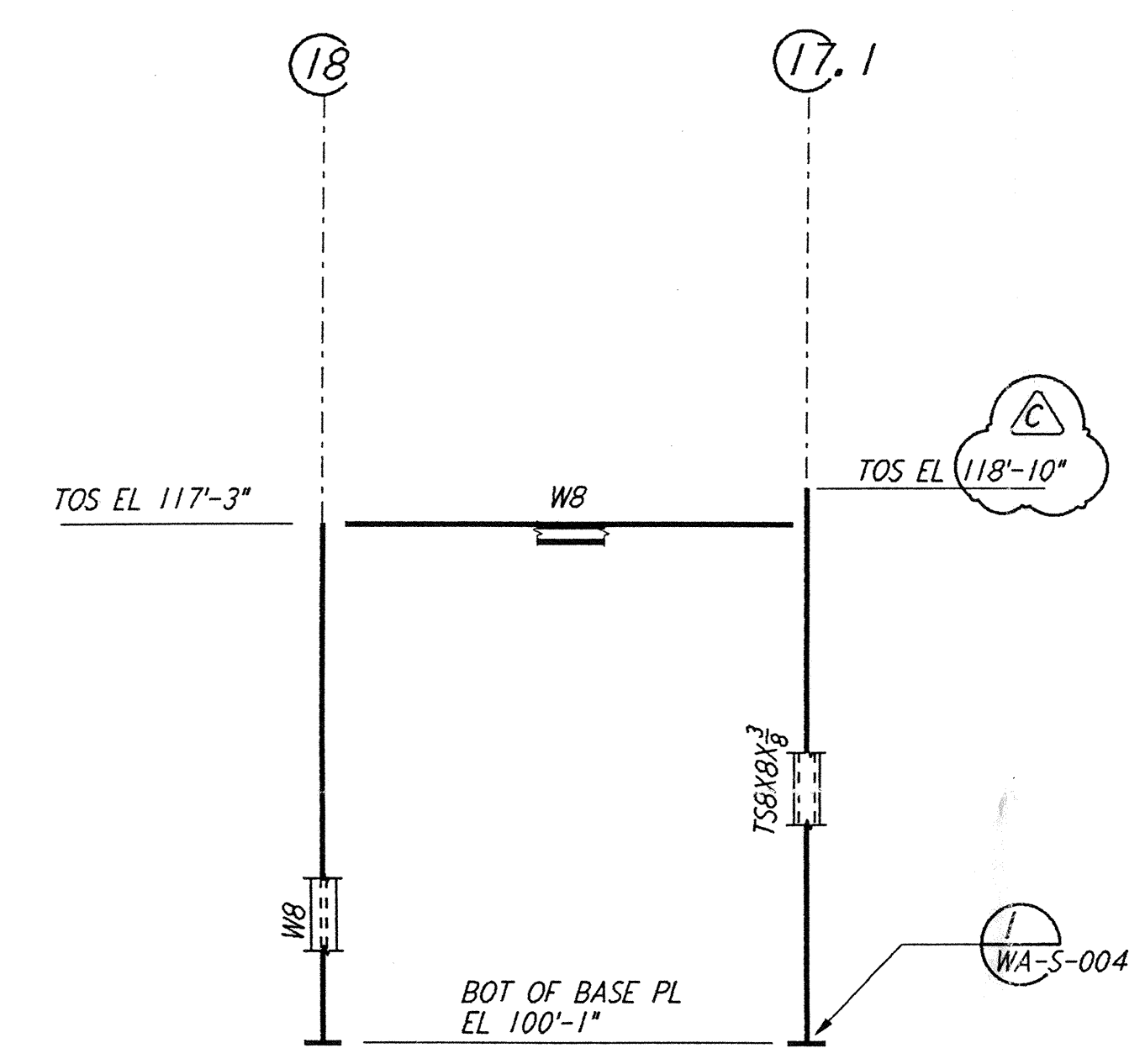
FRAMING ELEVATION AT COLUMN LINE 17
 $\frac{3}{16}'' = 1'-0''$



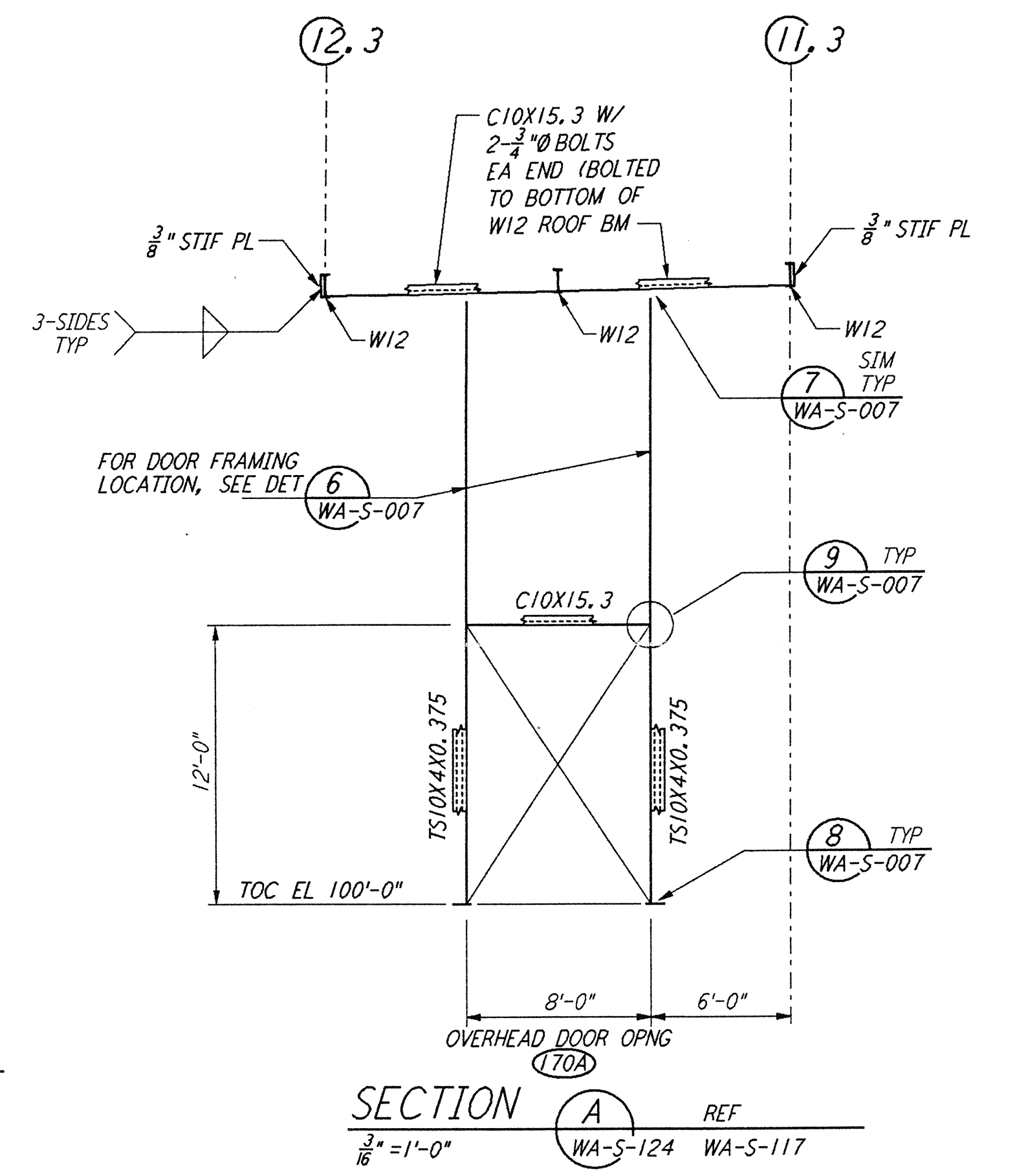
FRAMING ELEVATION AT COLUMN LINE 18
 $\frac{3}{16}'' = 1'-0''$



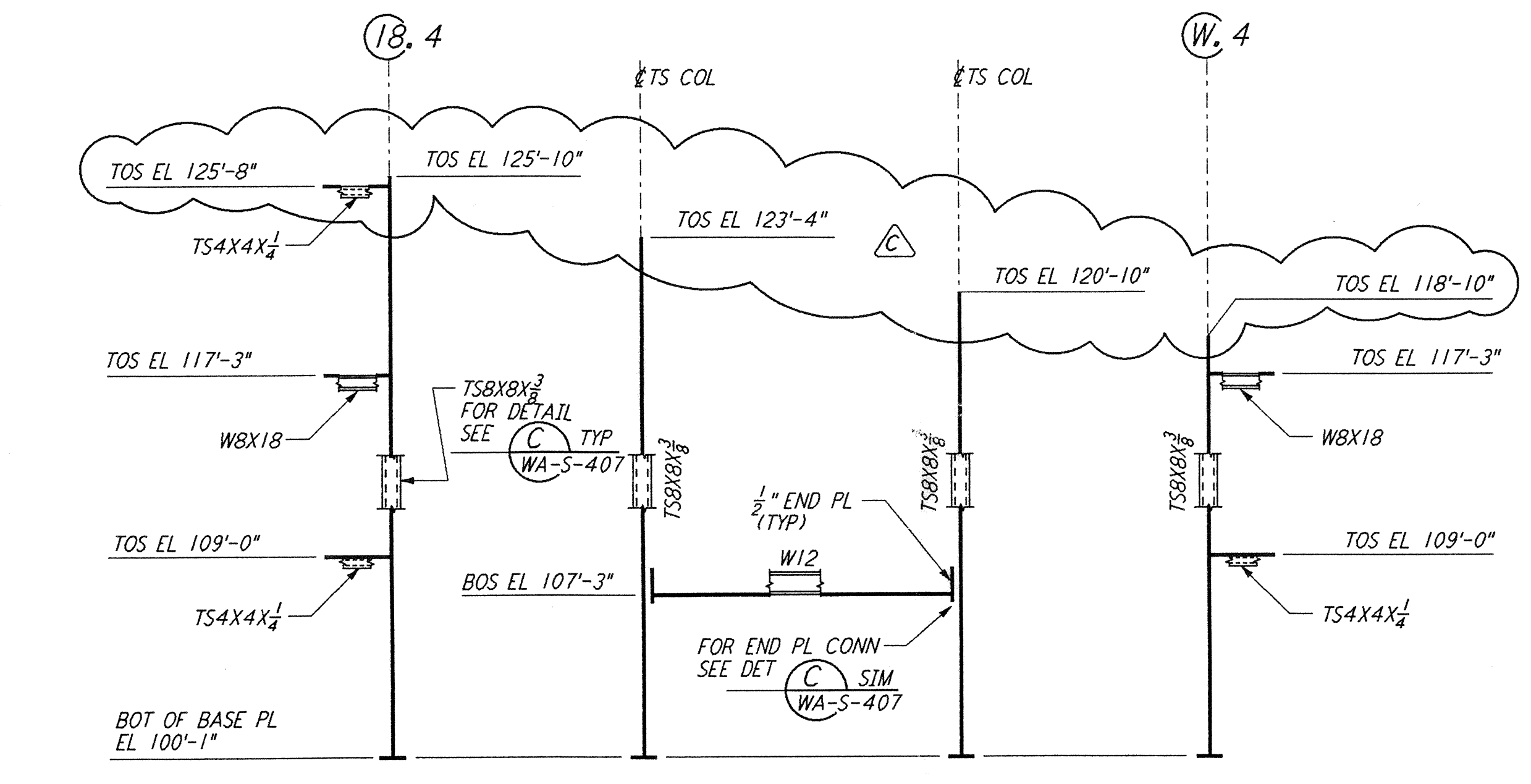
FRAMING ELEVATION AT COLUMN LINE 18.4
 $\frac{3}{16}'' = 1'-0''$



FRAMING ELEVATION AT COLUMN LINE W.4
 $\frac{3}{16}'' = 1'-0''$

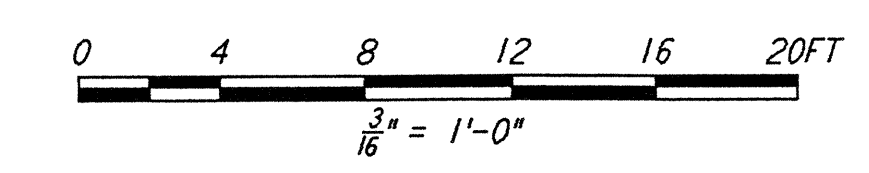


SECTION A REF
 $\frac{3}{16}'' = 1'-0''$ WA-S-124 WA-S-117



DEVELOPED FRAMING ELEVATION
 $\frac{3}{16}'' = 1'-0''$ REF WA-S-124 WA-S-117

- NOTES:**
- FOR GENERAL NOTES, ABBREVIATIONS AND SYMBOLS SEE DRAWING WA-S-001.
 - FOR CHANNEL, GIRT AND EAVE STRUT CONNECTION DETAILS SEE DRAWING WA-S-005.
 - FOR W BEAM TO COLUMN WEB/FLANGE CONNECTIONS, SEE DETAILS (6) WA-S-004 & (4) WA-S-007 TYP UNLESS OTHERWISE NOTED.
 - FOR BASE ANGLE (LSX3) CONNECTIONS, SEE SECTION (A) WA-S-003.
 - FOR VERT BRGC CONNECTIONS SEE (2) WA-S-006 (8) WA-S-006 (1) WA-S-007 (2) WA-S-007 TYP UNL.



LIGO-D960304-C-0

NO.	DATE	BY	CHKD	ENGR	PROJ	DESCRIPTION
C	5-22-96	MCS	MM	BP	SDM	BID ADDENDUM #2
B	4-19-96	MCS	DDM	BP	TDM	FINAL DESIGN REVIEW & BID
A	10-31-95				TDM	PRELIMINARY DESIGN REVIEW

DRAWN	MCS
CHECKED	
ENGINEER	
PROJ	

PARSONS
 100 WEST WALNUT STREET
 PASADENA, CALIFORNIA

LIGO
 CALIFORNIA INSTITUTE OF TECHNOLOGY
 MASSACHUSETTS INSTITUTE OF TECHNOLOGY

LASER INTERFEROMETER
 GRAVITATIONAL-WAVE OBSERVATORY
 SITE NO. 1 - HANFORD, WASHINGTON

TITLE: STRUCTURAL CORNER STATION OSB FRAMING ELEVATIONS SHEET 7

AS NOTED PPI50969 8094

WA-S-124