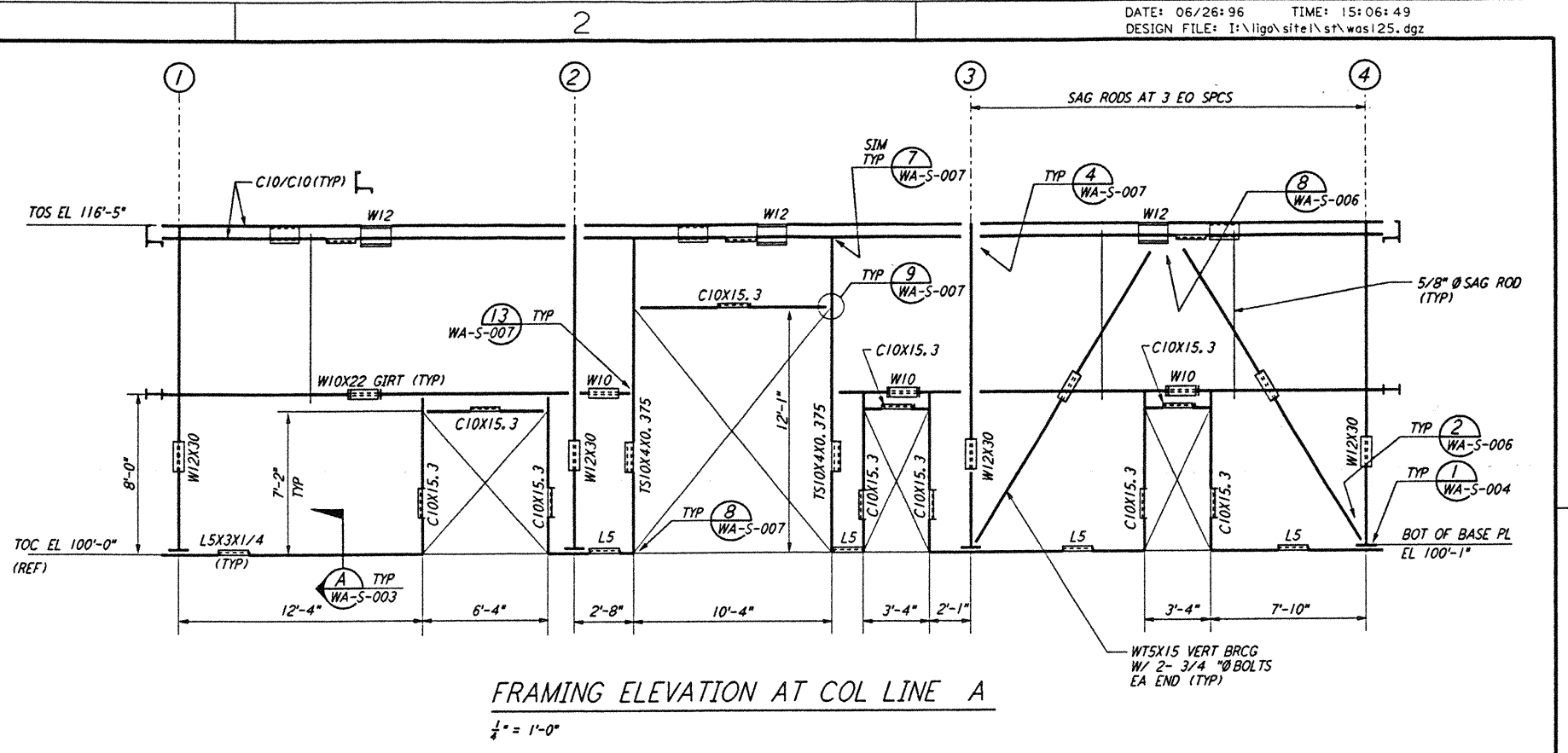
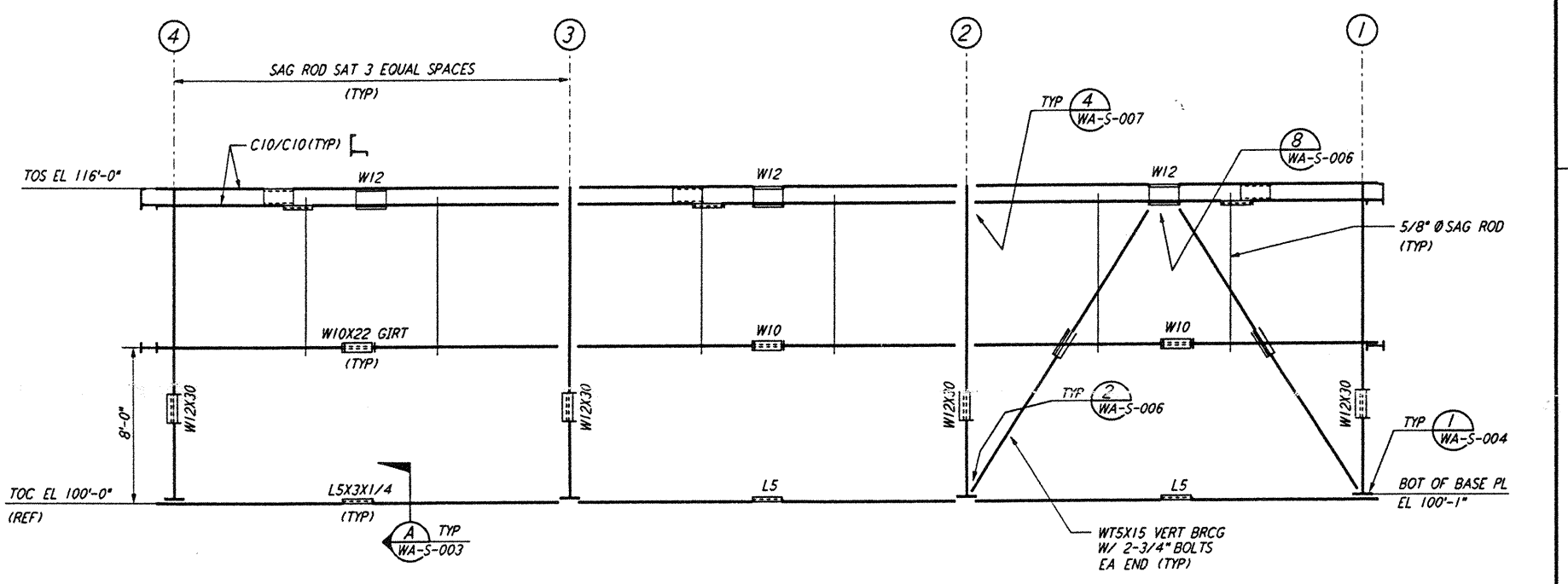


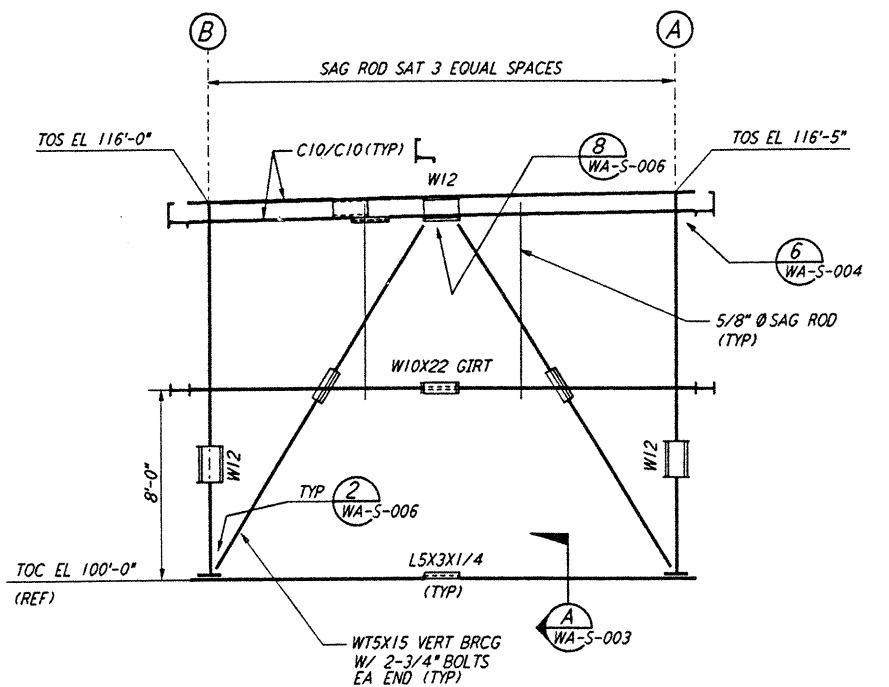
ROOF FRAMING PLAN
 $\frac{1}{4}'' = 1'-0''$



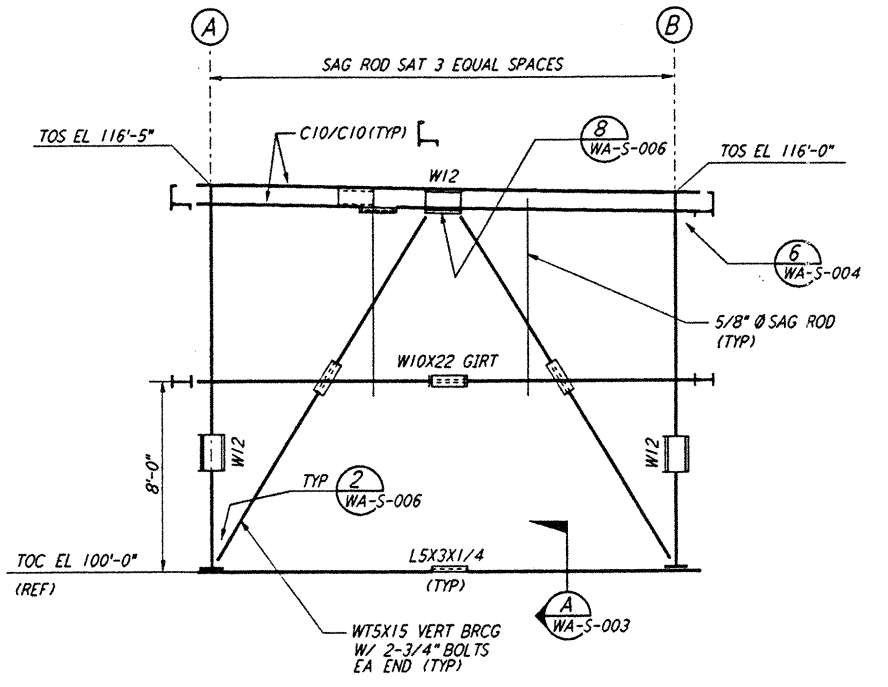
FRAMING ELEVATION AT COL LINE A
 $\frac{1}{4}'' = 1'-0''$



FRAMING ELEVATION AT COL LINE B
 $\frac{1}{4}'' = 1'-0''$

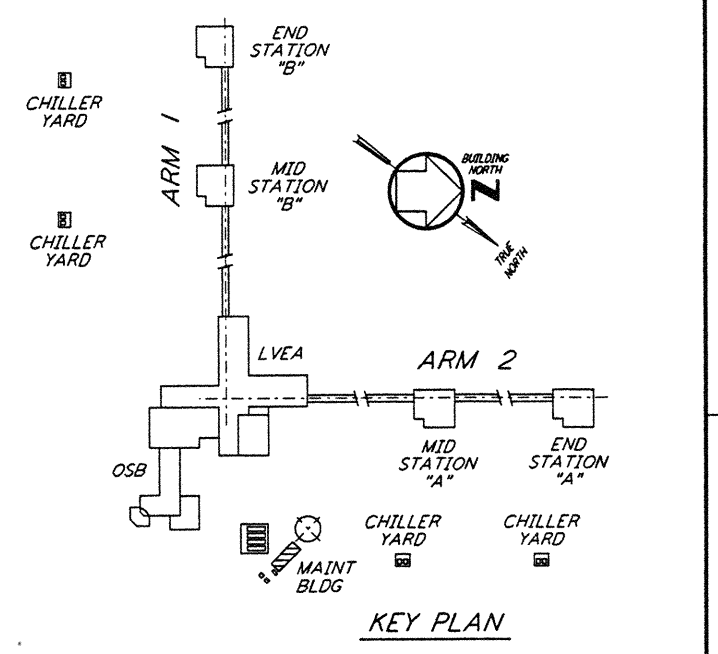
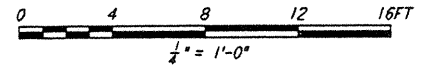


FRAMING ELEVATION AT COL LINE 1
 $\frac{1}{4}'' = 1'-0''$



FRAMING ELEVATION AT COL LINE 4
 $\frac{1}{4}'' = 1'-0''$

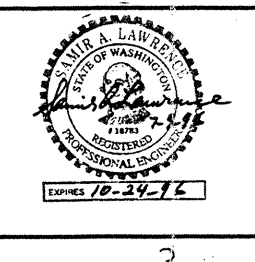
- NOTES:
- FOR GENERAL NOTES, ABBREVIATIONS AND SYMBOLS, SEE DRAWING WA-S-001.
 - FOR CHANNEL, GIRT AND EAVE STRUT CONNECTION DETAILS, SEE DRAWING WA-S-005.



KEY PLAN

NO.	DATE	BY	CHKD	ENGR	PROJ	DESCRIPTION

ISSUED FOR CONSTRUCTION	PK	6-24-96
CHECKED		7-2-96
ENGINEER		6-29-96
PROJ		7/9/94



PARSONS
 100 WEST WALNUT STREET
 PASADENA, CALIFORNIA

LIGO
 CALIFORNIA INSTITUTE OF TECHNOLOGY
 MASSACHUSETTS INSTITUTE OF TECHNOLOGY

LASER INTERFEROMETER
 GRAVITATIONAL-WAVE OBSERVATORY
 SITE NO. 1 - HANFORD, WASHINGTON

TITLE	SCALE	CONTRACT NUMBER	PROJECT NUMBER
STRUCTURAL MAINTENANCE BUILDING FRAMING PLANS AND ELEVATIONS	AS NOTED	PP150969	8094
SHEET NUMBER		PERSONS	
WA-S-125			

LIGO-D960305-00-O 1 LIGOWAF.BOR

not be reproduced, copied, loaned, exhibited, or used in any other way, except by written consent from PARSONS to the borrower.

This document and the design it covers are the property of PARSONS. They are loaned only with the borrower's expressed written agreement that they will

06/26/96 15:06:49 I:\ligo\site\st\was125.dwg