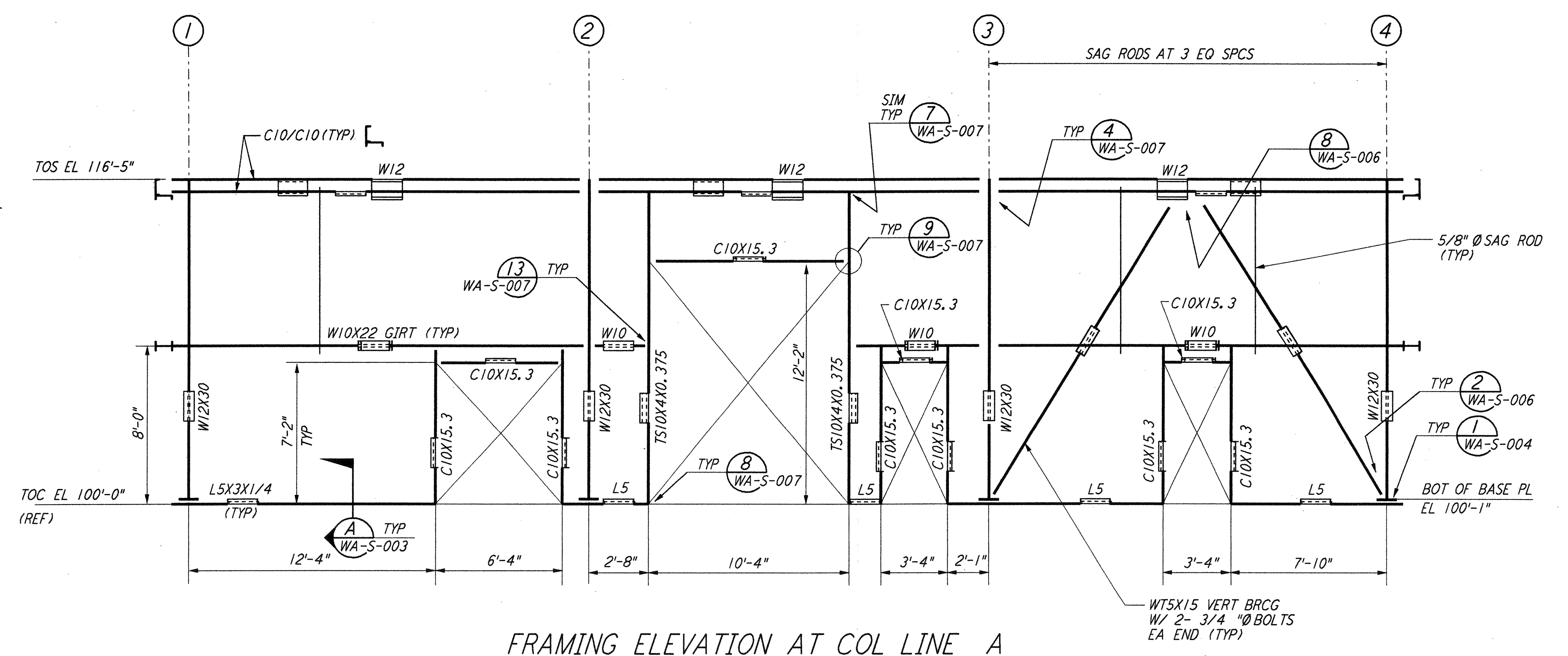
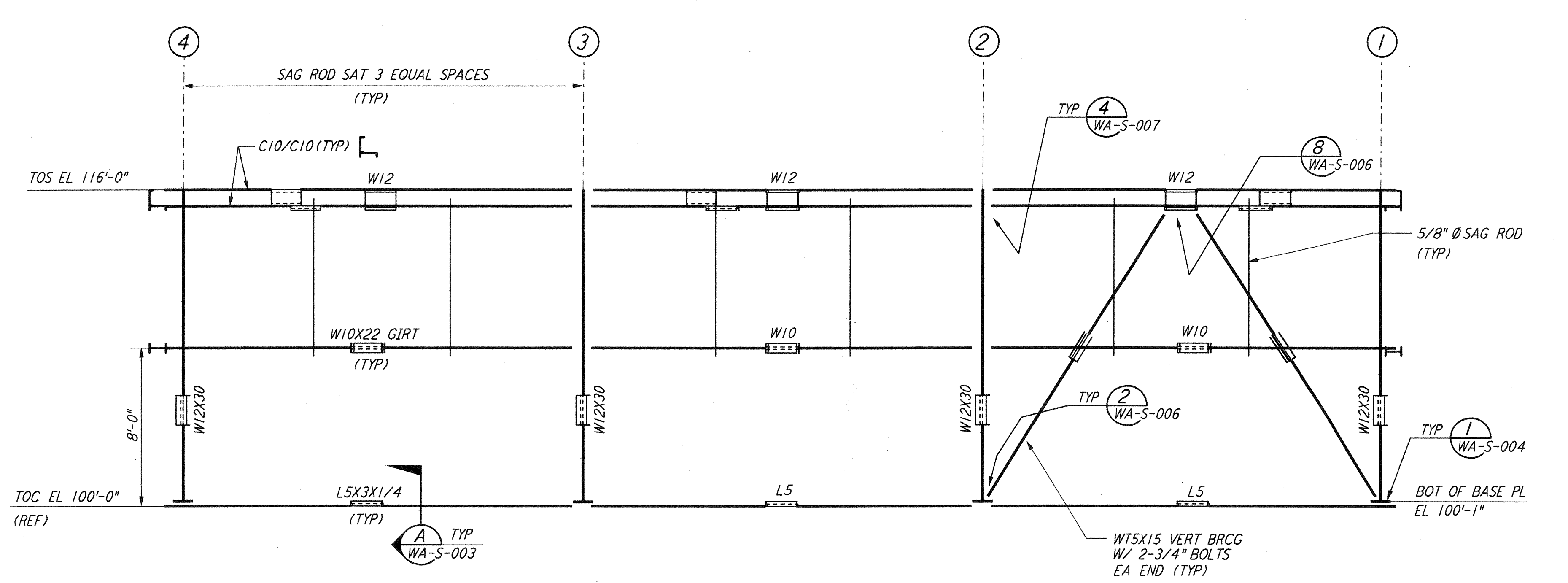


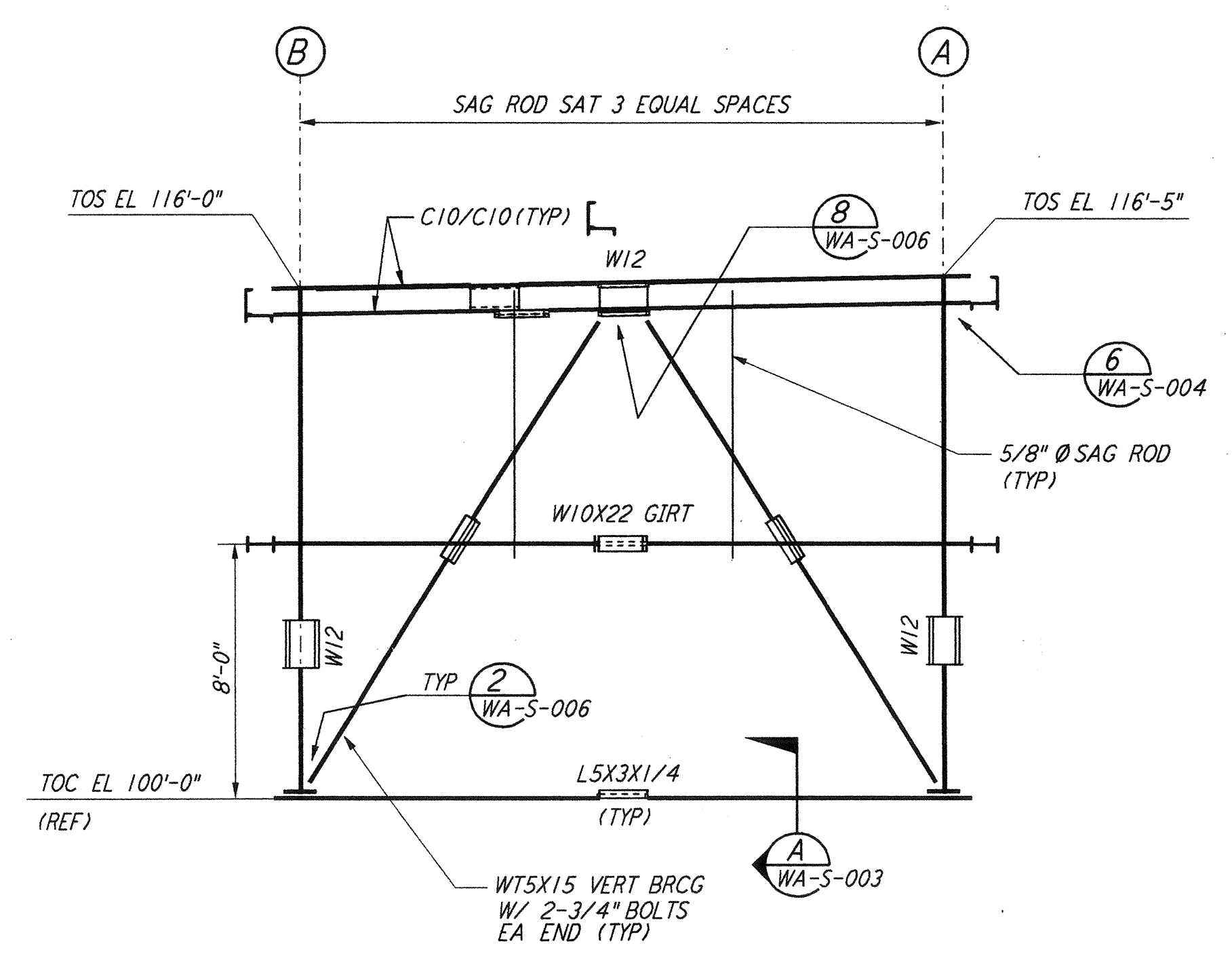
ROOF FRAMING PLAN
 $\frac{1}{4}'' = 1'-0''$



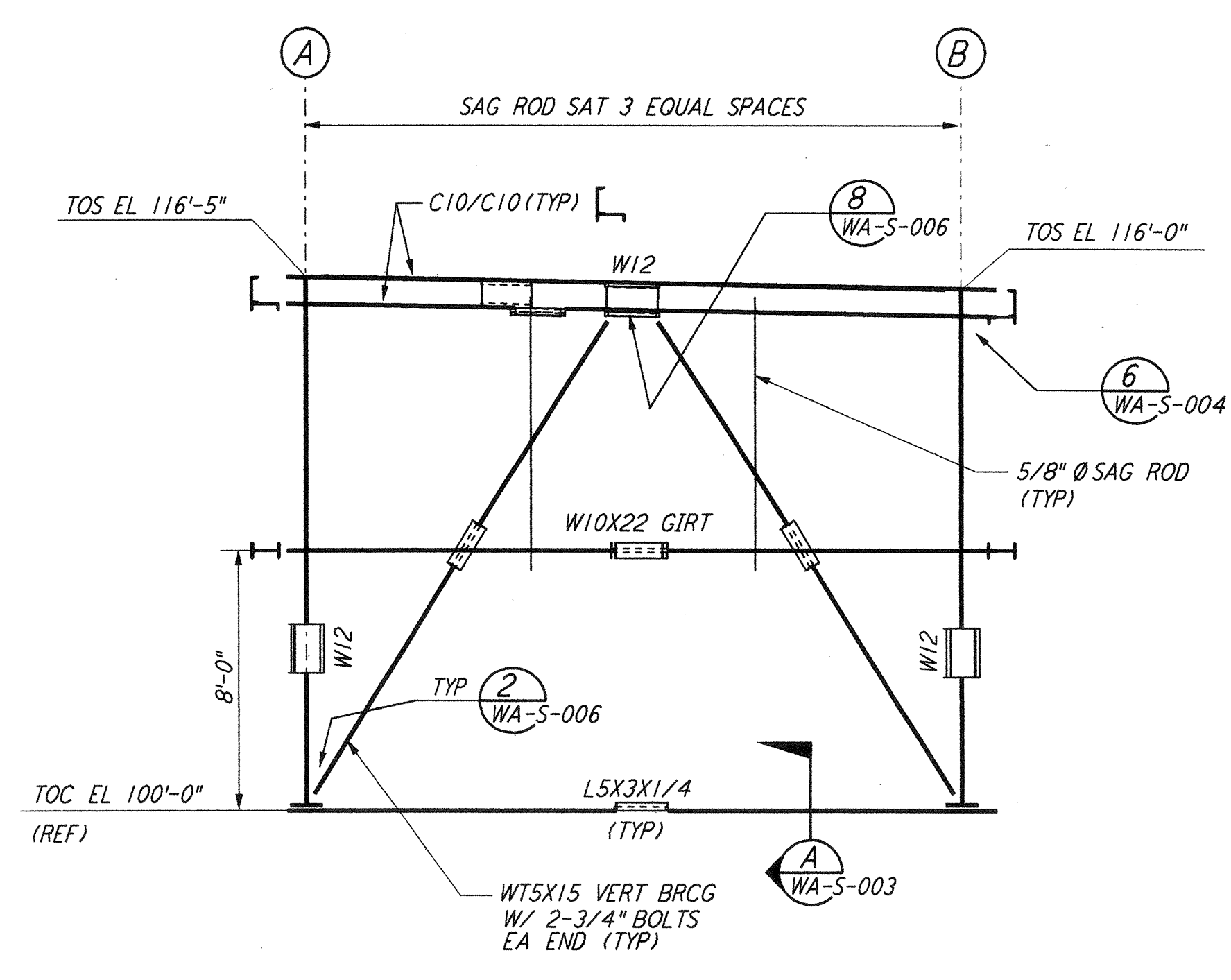
FRAMING ELEVATION AT COL LINE A
 $\frac{1}{4}'' = 1'-0''$



FRAMING ELEVATION AT COL LINE B
 $\frac{1}{4}'' = 1'-0''$

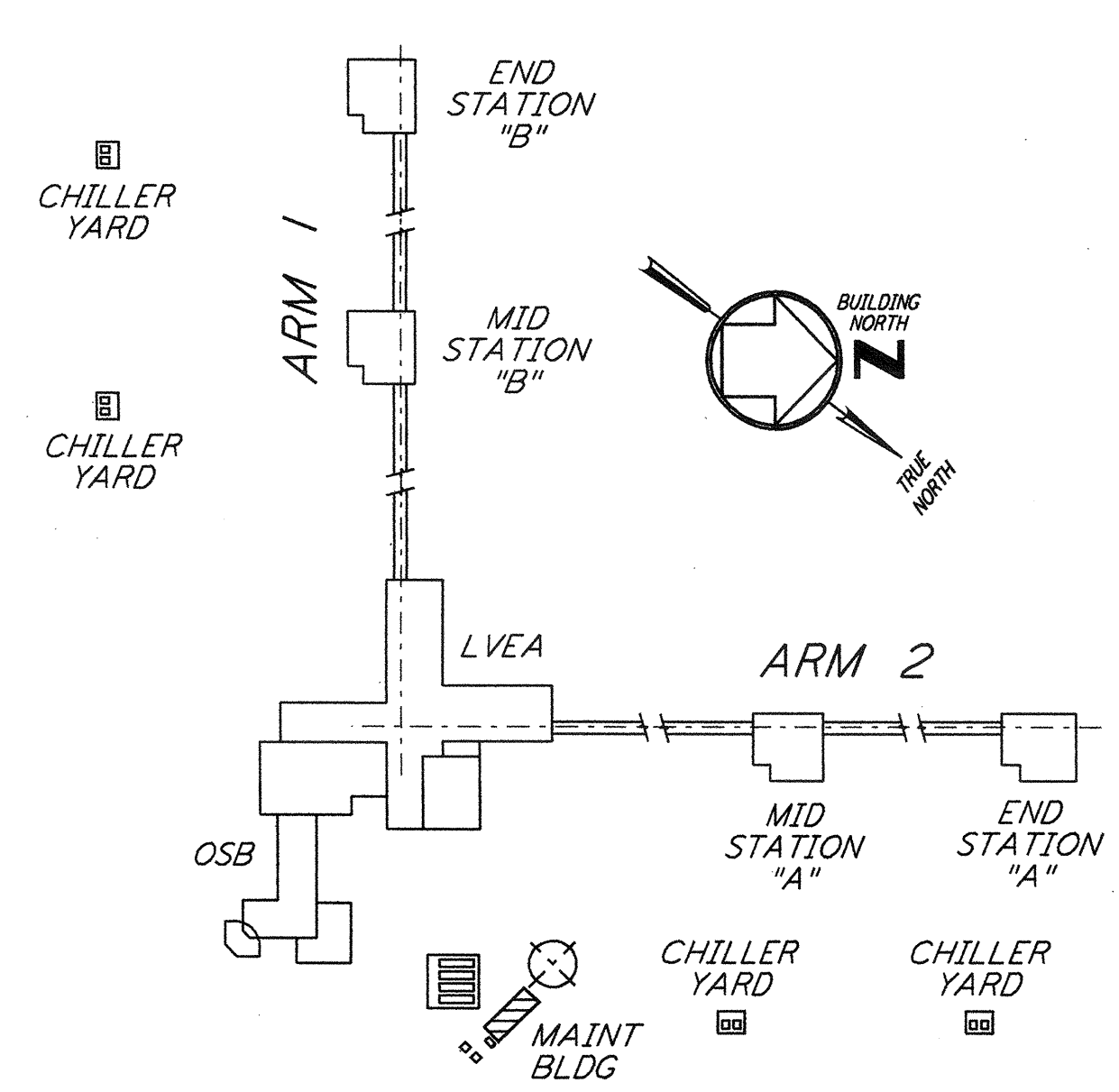
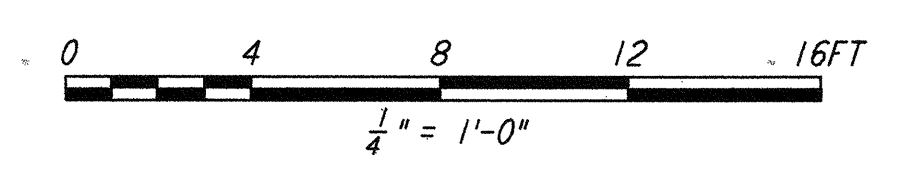


FRAMING ELEVATION AT COL LINE 1
 $\frac{1}{4}'' = 1'-0''$



FRAMING ELEVATION AT COL LINE 4
 $\frac{1}{4}'' = 1'-0''$

- NOTES:**
- FOR GENERAL NOTES, ABBREVIATIONS AND SYMBOLS, SEE DRAWING WA-S-001.
 - FOR CHANNEL, GIRT AND EAVE STRUT CONNECTION DETAILS, SEE DRAWING WA-S-005.



KEY PLAN
LIGO-D960305-01-0

This document and the design it covers are the property of PARSONS. They are loaned only with the borrower's expressed written agreement that they will not be reproduced, copied, loaned, exhibited, or used in any other way, except by written consent from PARSONS to the borrower.

NO.	DATE	BY	CHKD	ENGR	PROJ	DESCRIPTION
1	6-15-98	CKT	PK	PK	PK	ISSUED FOR AS BUILT

ISSUED FOR CONSTRUCTION	PK	6-24-96
DRAWN	DDM	7-2-96
CHECKED	BP	6-18-96
ENGINEER	MDW	7-9-96
PROJ		

AS-BUILT DRAWINGS

PARSONS
 100 WEST WALNUT STREET
 PASADENA, CALIFORNIA

LIGO
 CALIFORNIA INSTITUTE OF TECHNOLOGY
 MASSACHUSETTS INSTITUTE OF TECHNOLOGY

LASER INTERFEROMETER
 GRAVITATIONAL-WAVE OBSERVATORY
 SITE NO. 1 - HANFORD, WASHINGTON

TITLE	STRUCTURAL MAINTENANCE BUILDING FRAMING PLANS AND ELEVATIONS
AS NOTED	PP150969
PROJECT NUMBER	8094
SHEET NUMBER	WA-S-125