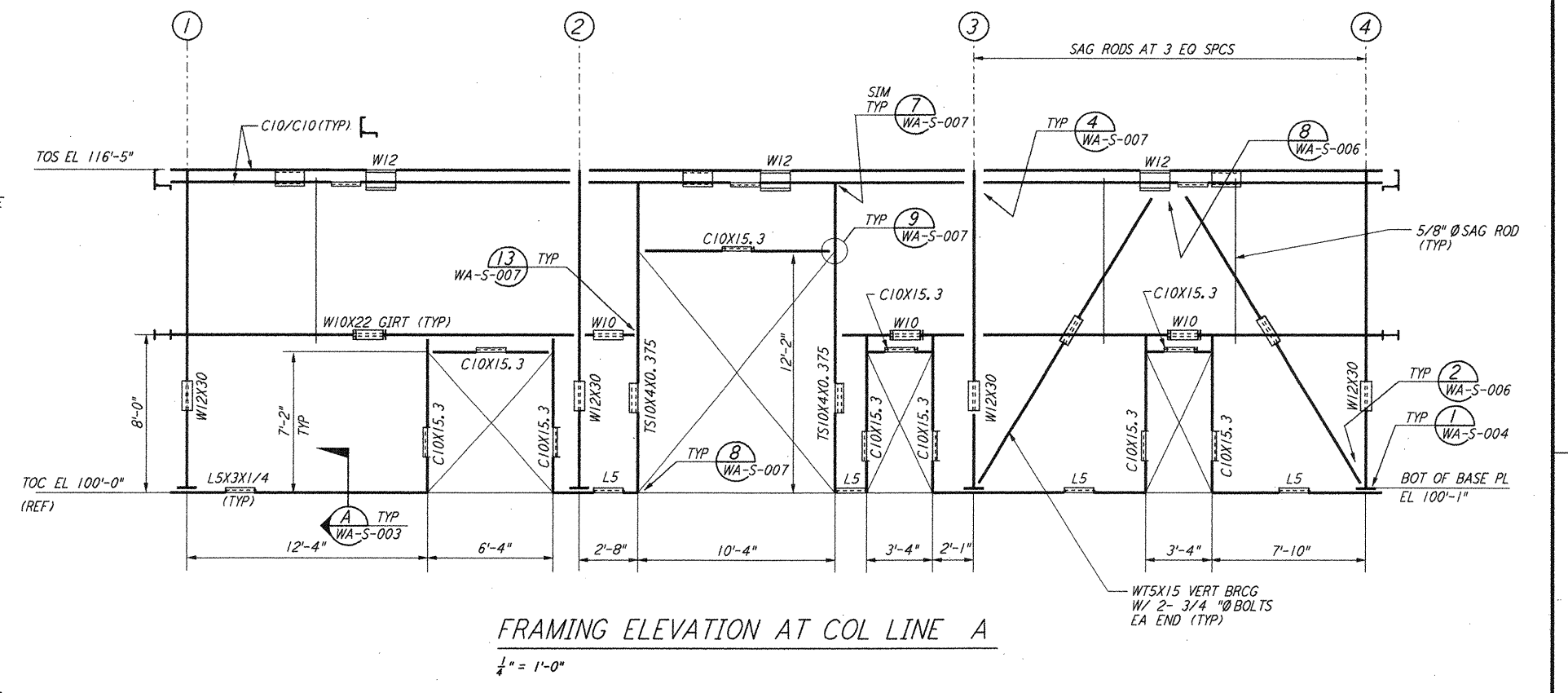
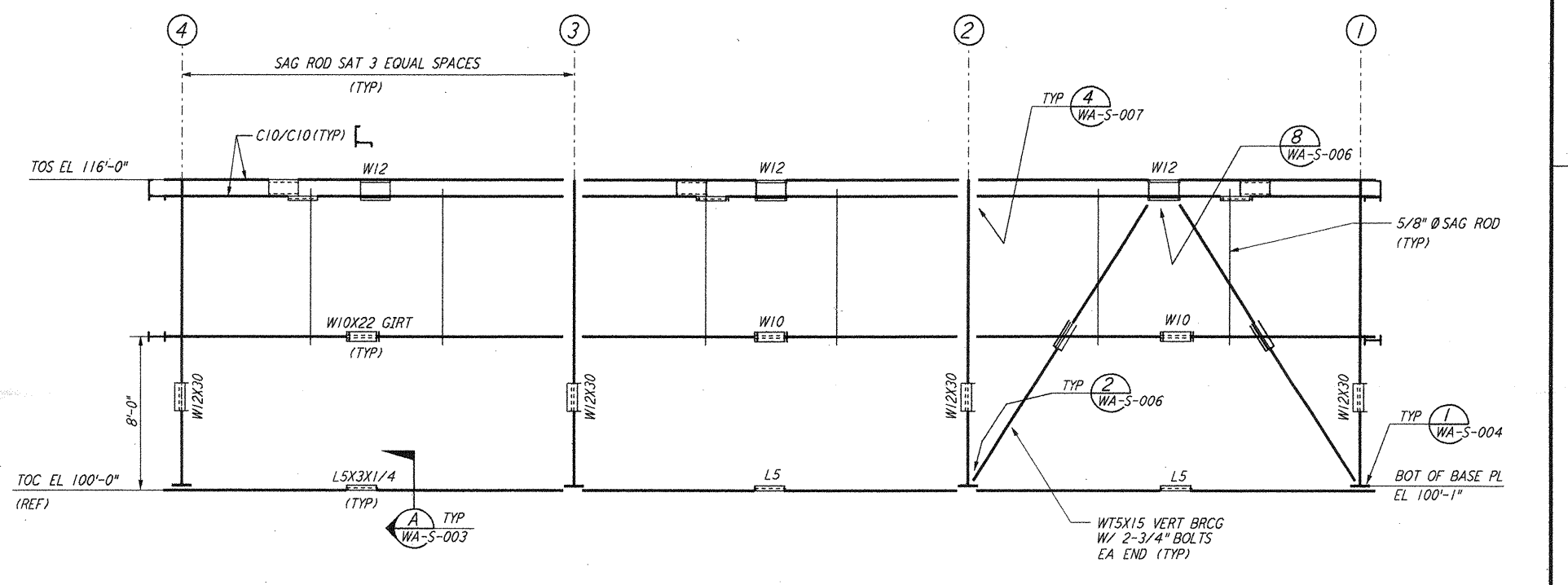


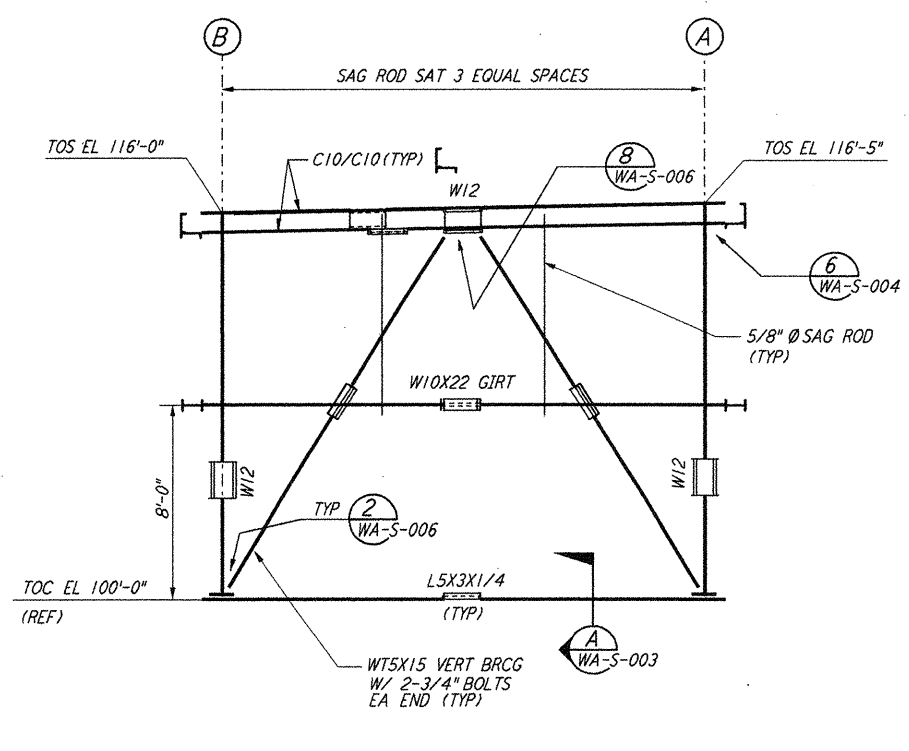
ROOF FRAMING PLAN
1/4" = 1'-0"



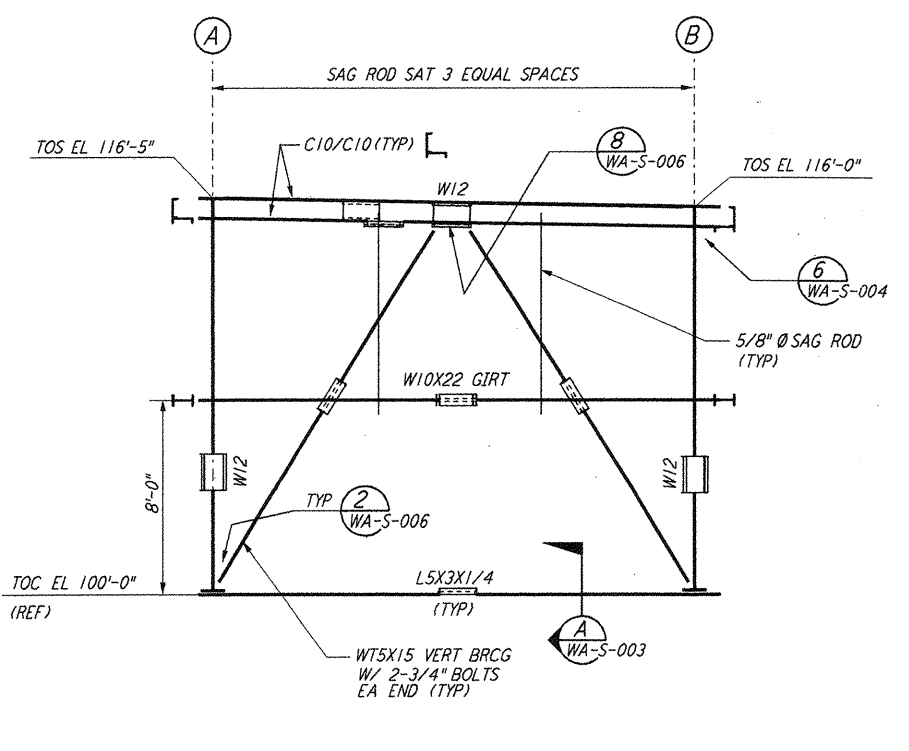
FRAMING ELEVATION AT COL LINE A
1/4" = 1'-0"



FRAMING ELEVATION AT COL LINE B
1/4" = 1'-0"

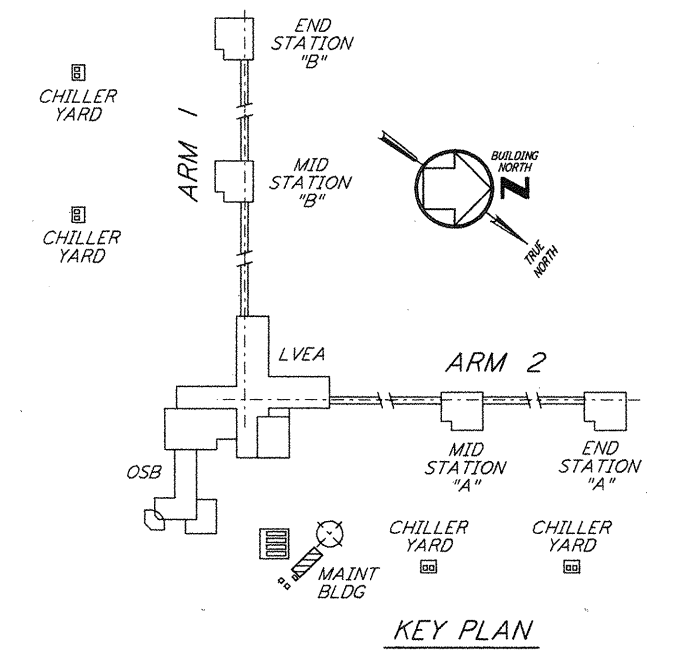
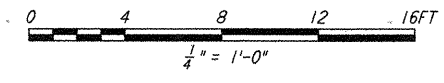


FRAMING ELEVATION AT COL LINE 1
1/4" = 1'-0"



FRAMING ELEVATION AT COL LINE 4
1/4" = 1'-0"

- NOTES:**
- FOR GENERAL NOTES, ABBREVIATIONS AND SYMBOLS, SEE DRAWING WA-S-001.
 - FOR CHANNEL, GIRT AND EAVE STRUT CONNECTION DETAILS, SEE DRAWING WA-S-005.



KEY PLAN
LIGO-D960305-01-0

NO.	DATE	BY	CHKD	ENGR	PROJ	DESCRIPTION
1	6-15-98	CKT	PK	MDW	PP	ISSUED FOR AS BUILT

ISSUED FOR CONSTRUCTION
DRAWN PK 6-24-98
CHECKED DDM 7-2-98
ENGINEER BP 6-18-98
PROJ MDW 7-9-98

AS-BUILT DRAWINGS

PARSONS

100 WEST WALNUT STREET
PASADENA, CALIFORNIA

LIGO

CALIFORNIA INSTITUTE OF TECHNOLOGY
MASSACHUSETTS INSTITUTE OF TECHNOLOGY

LASER INTERFEROMETER
GRAVITATIONAL-WAVE OBSERVATORY
SITE NO. 1 - HANFORD, WASHINGTON

STRUCTURAL
MAINTENANCE BUILDING
FRAMING PLANS AND
ELEVATIONS

AS NOTED PP150969 8094
WA-S-125

This document and the design it covers are the property of PARSONS. They are loaned only with the borrower's expressed written agreement that they will not be reproduced, copied, loaned, exhibited, or used in any other way, except by written consent from PARSONS to the borrower.

Mon Jul 06 16:19:02 1998 C:\PLOT\GUE\53\Y388\JCF 52085 K:\V388\A\425.PLT