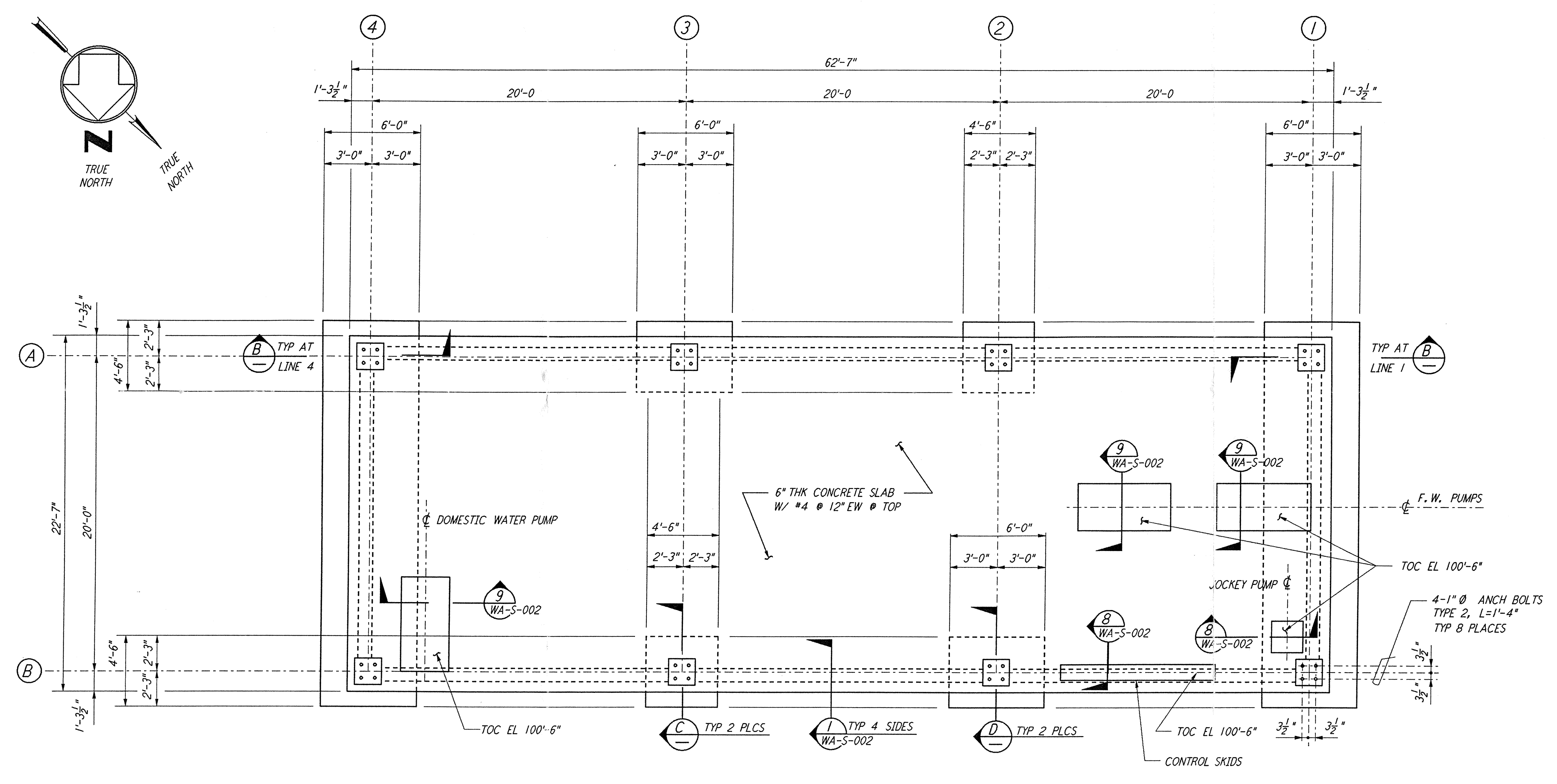
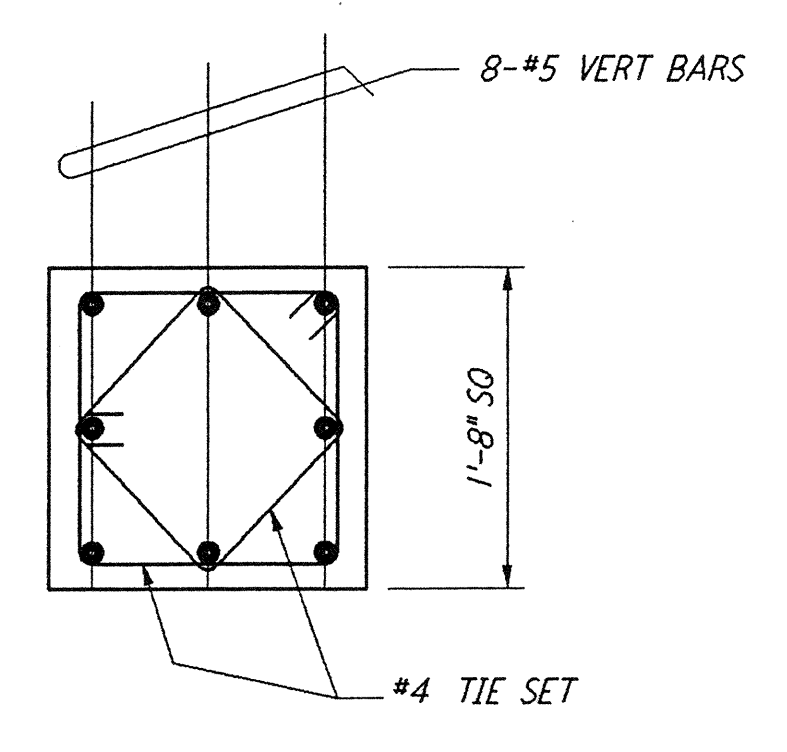


not be reproduced, copied, loaned, exhibited, or used in any other way, except by written consent from PARSONS to the borrower.

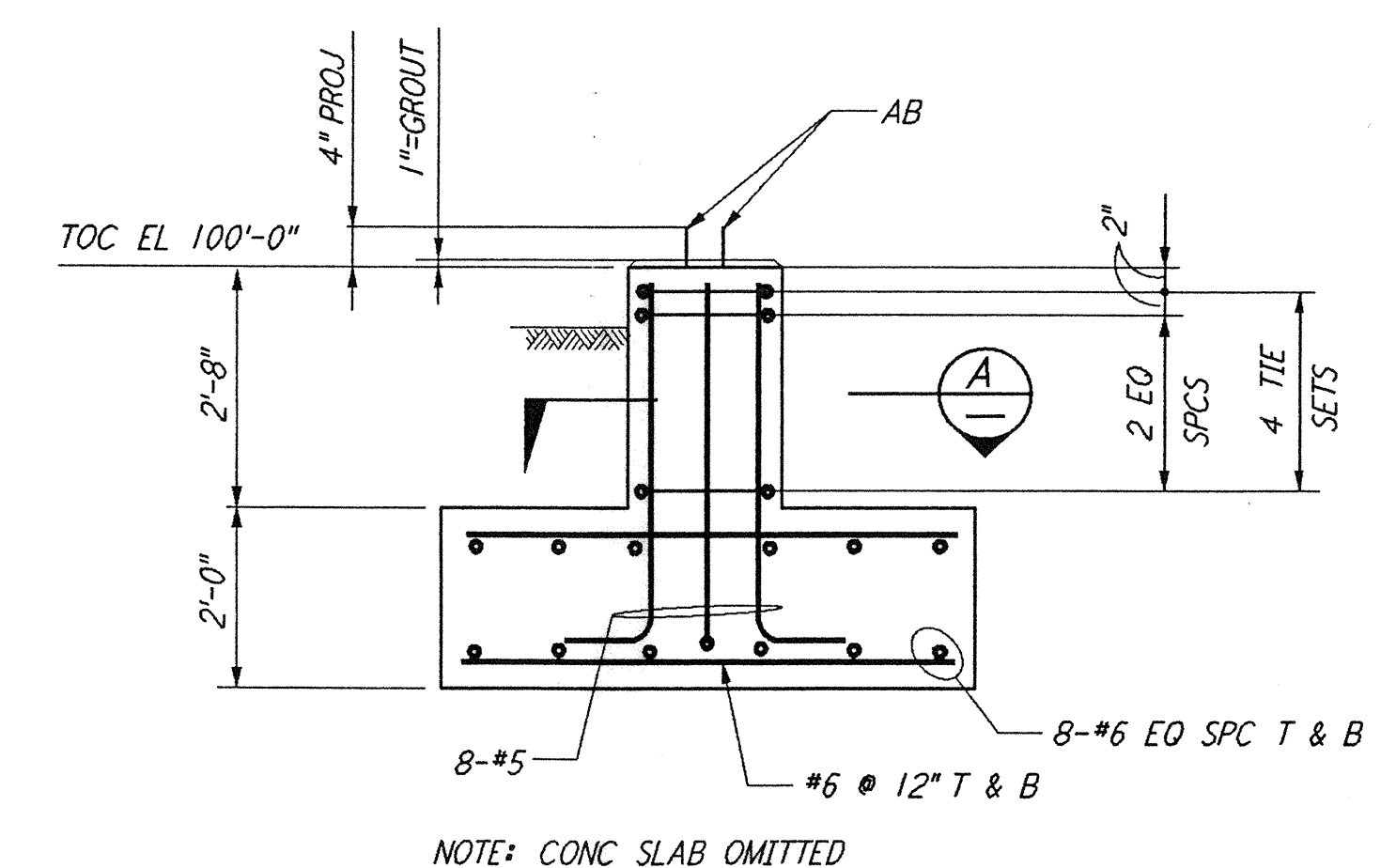
This document and the design it covers are the property of PARSONS. They are loaned only with the borrower's expressed written agreement that they will



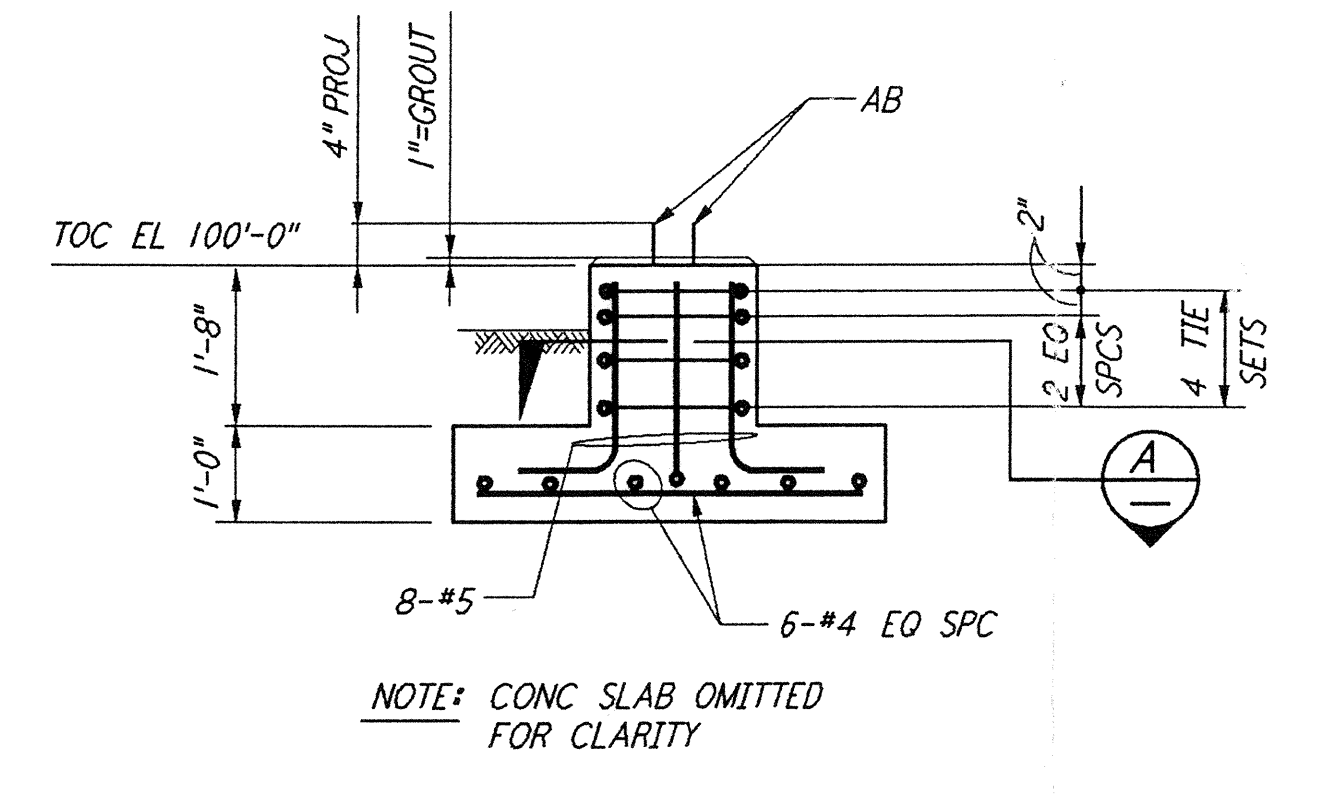
FRAMING PLAN
 $\frac{1}{4}'' = 1'-0''$
 FOR FLOOR SLOPES SEE ARCHITECTURAL DWGS



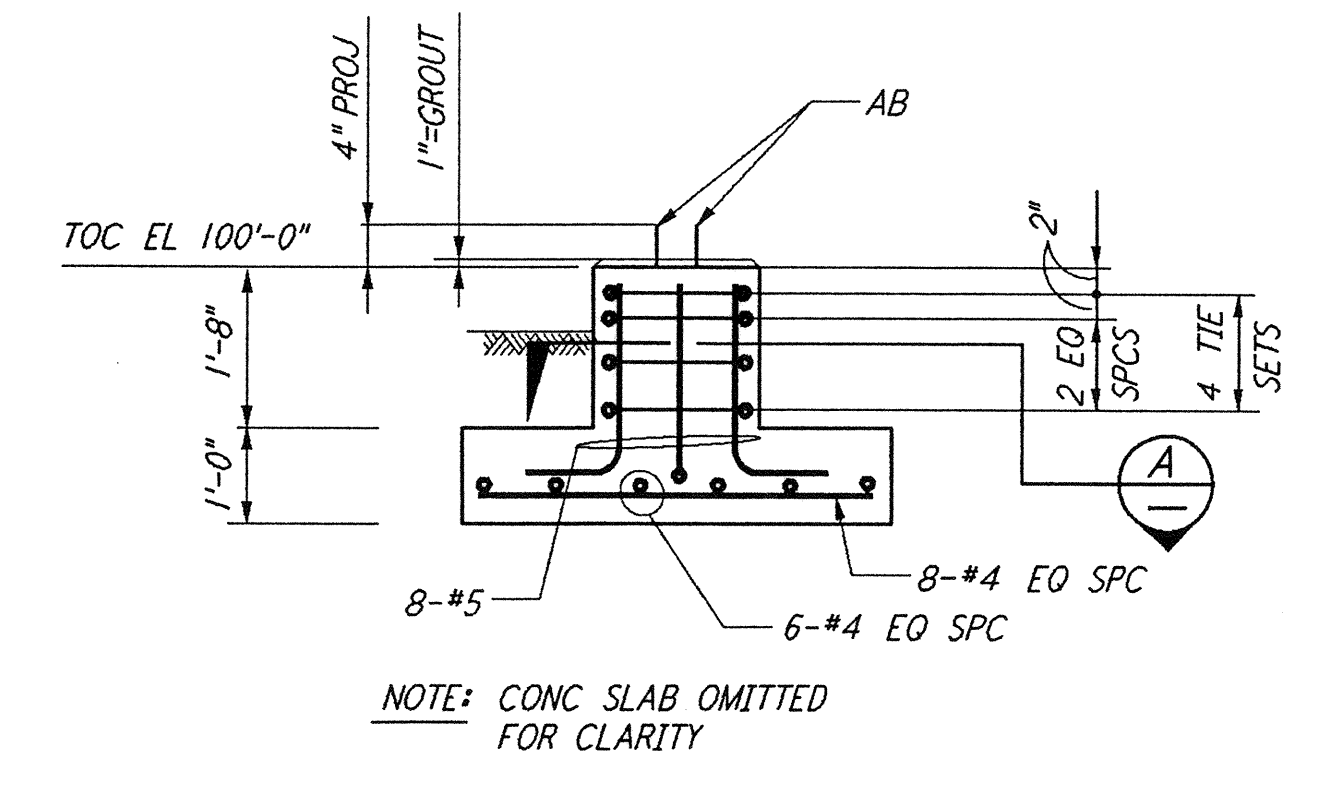
SECTION A
 $1'' = 1'-0''$



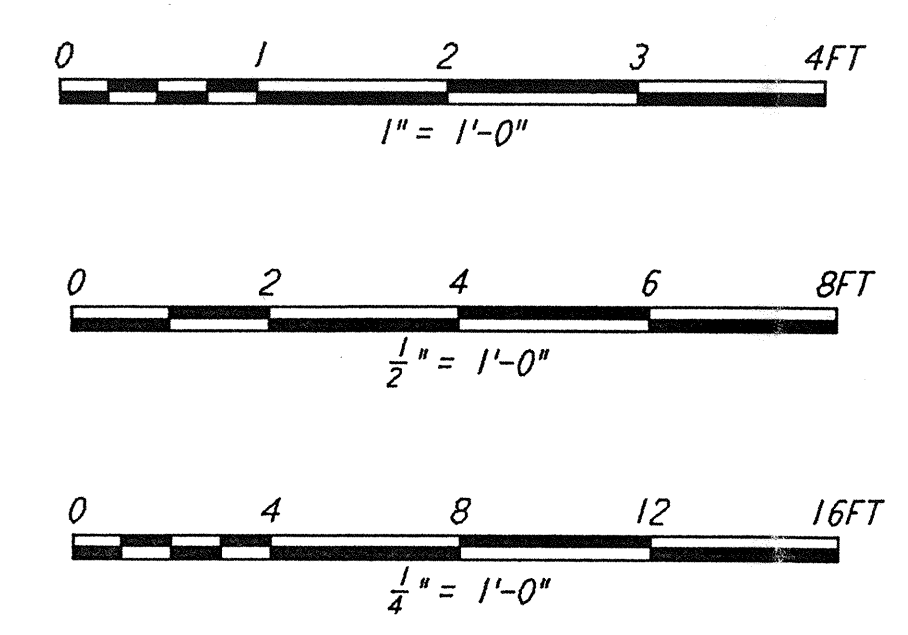
SECTION B
 $\frac{1}{2}'' = 1'-0''$



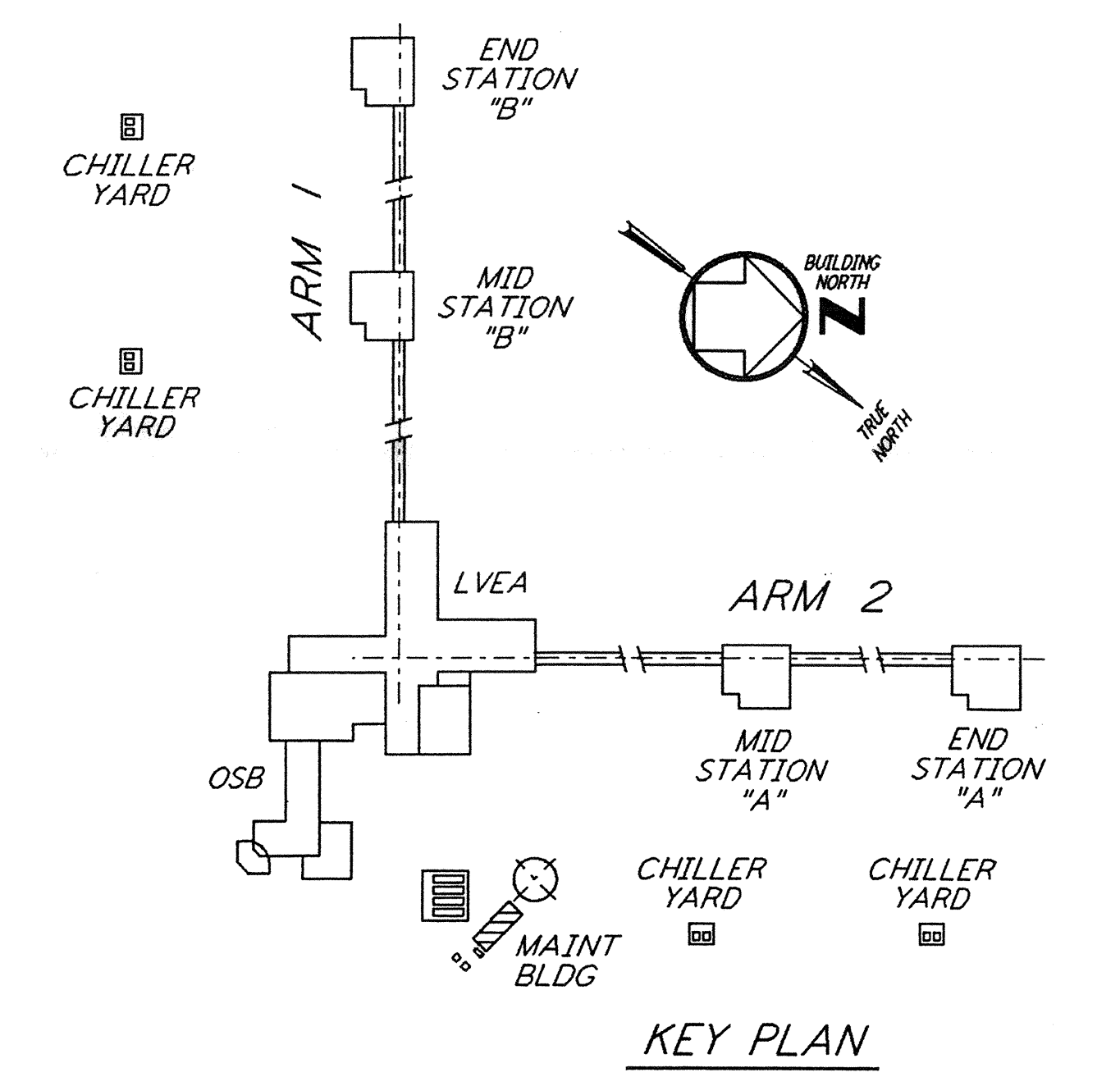
SECTION C
 $\frac{1}{2}'' = 1'-0''$



SECTION D
 $\frac{1}{2}'' = 1'-0''$



- NOTES:**
- FOR STRUCTURAL GENERAL NOTES, ABBREVIATIONS AND LEGEND SEE DWG. WA-S-001.
 - CONTRACTOR TO ADJUST LOCATION AND SIZE OF EQUIPMENT PADS TO SUIT VENDOR EQUIPMENT.



NO.	DATE	BY	CHKD	ENGR	PROJ	DESCRIPTION
A	4-19-96	PK	bbv	PH	MM	FINAL DESIGN REVIEW & BID

DRAWN	PK
CHECKED	
ENGINEER	
PROJ	

PARSONS
 100 WEST WALNUT STREET
 PASADENA, CALIFORNIA

LIGO
 CALIFORNIA INSTITUTE OF TECHNOLOGY
 MASSACHUSETTS INSTITUTE OF TECHNOLOGY

LASER INTERFEROMETER
 GRAVITATIONAL-WAVE OBSERVATORY
 SITE NO. 1 - HANFORD, WASHINGTON

STRUCTURAL MAINTENANCE BUILDING FDN PLAN & SECTIONS

AS NOTED PP150969 8094
WA-S-126