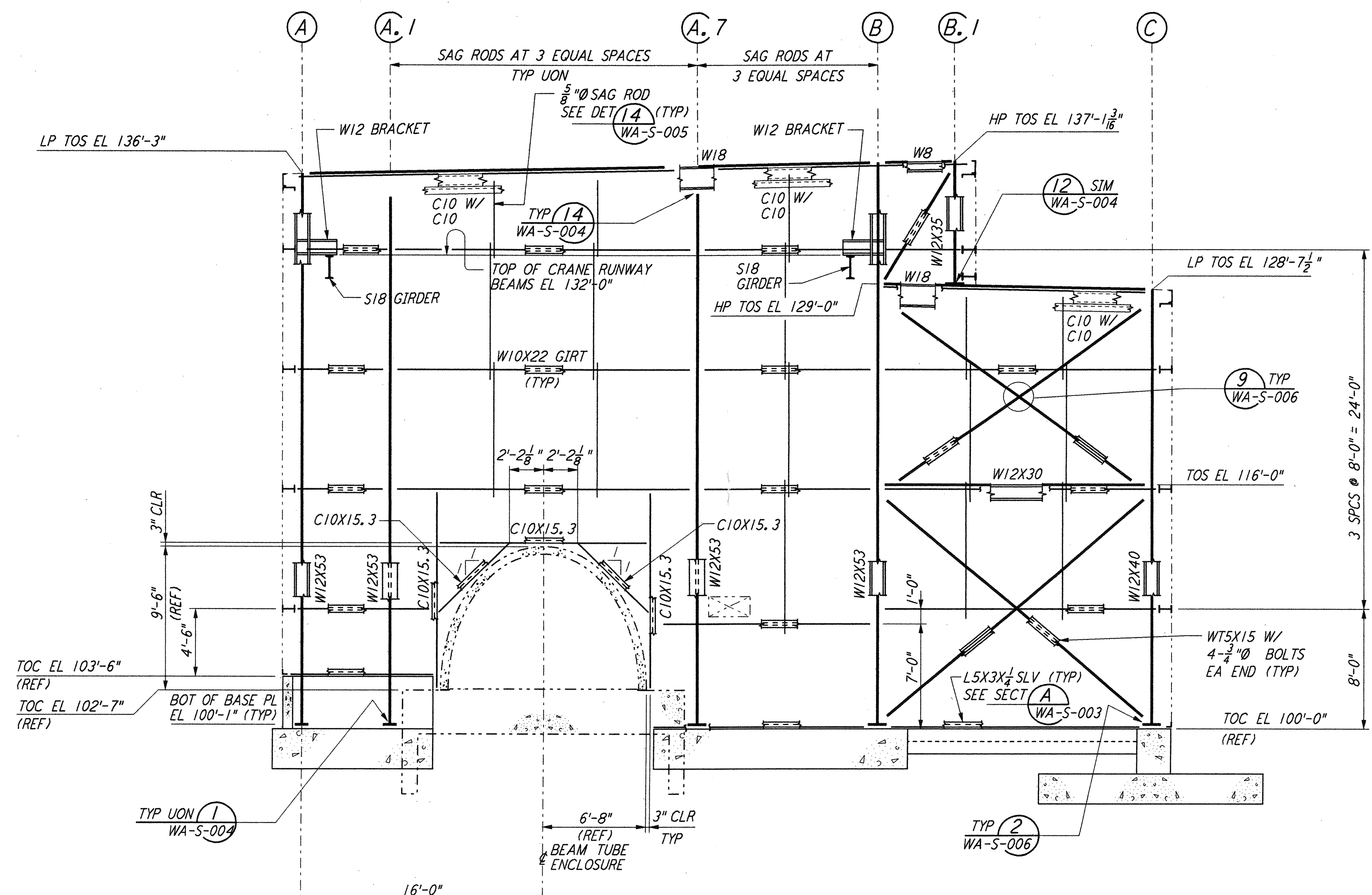
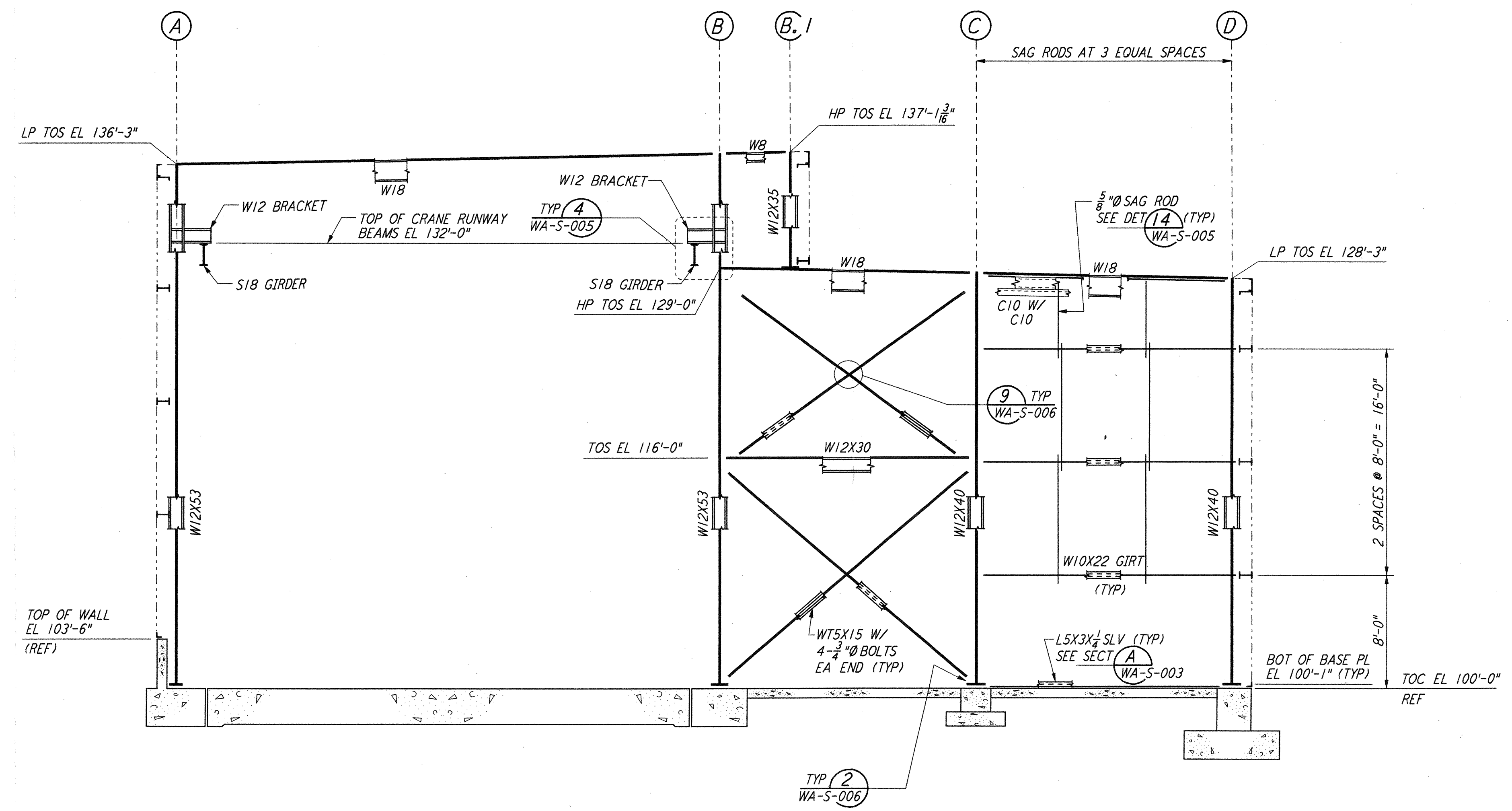


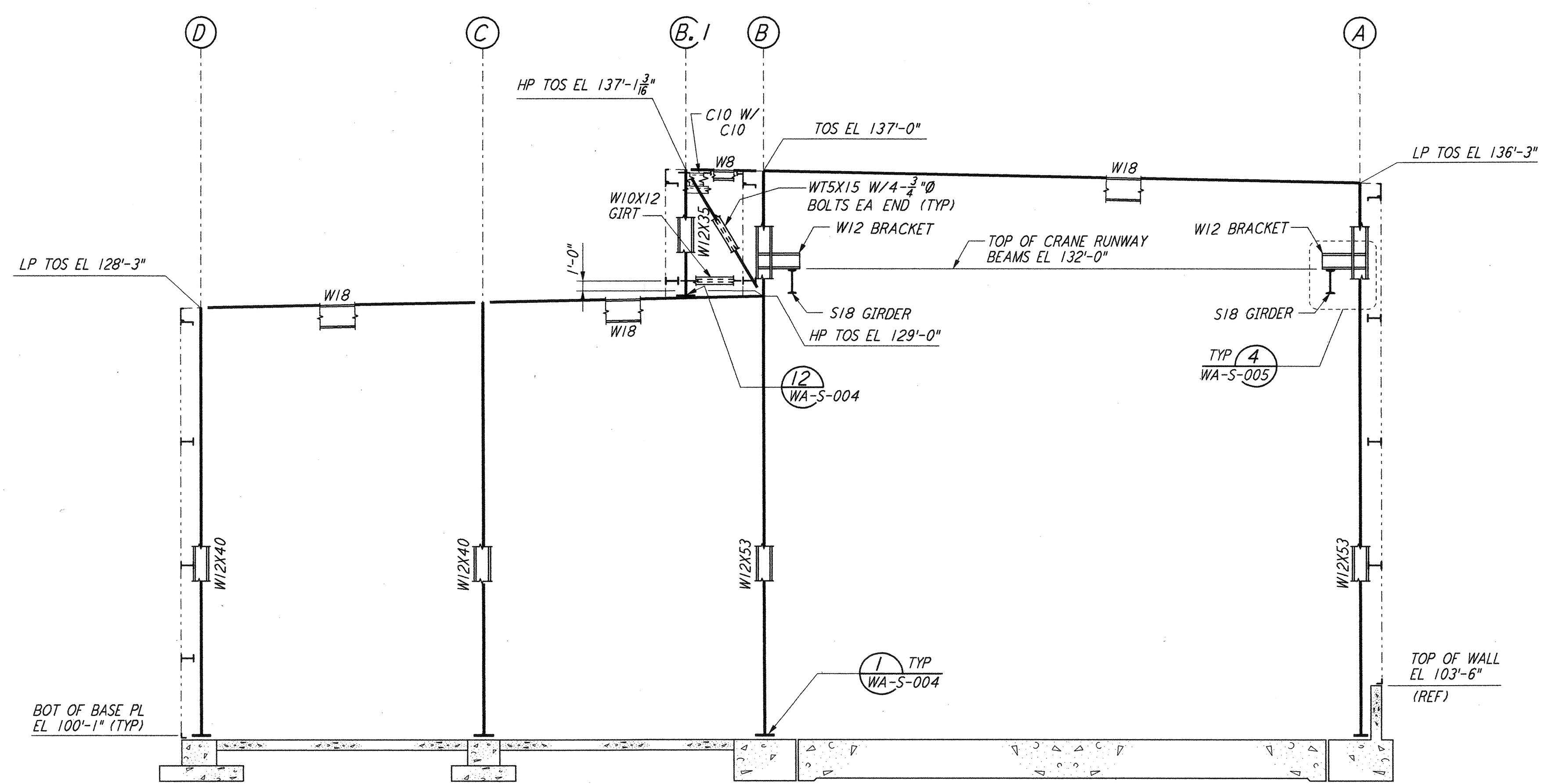
This document and the design it covers are the property of PARSONS. They are loaned only with the borrower's expressed written agreement that they will not be reproduced, copied, loaned, exhibited, or used in any other way, except by written consent from PARSONS to the borrower.



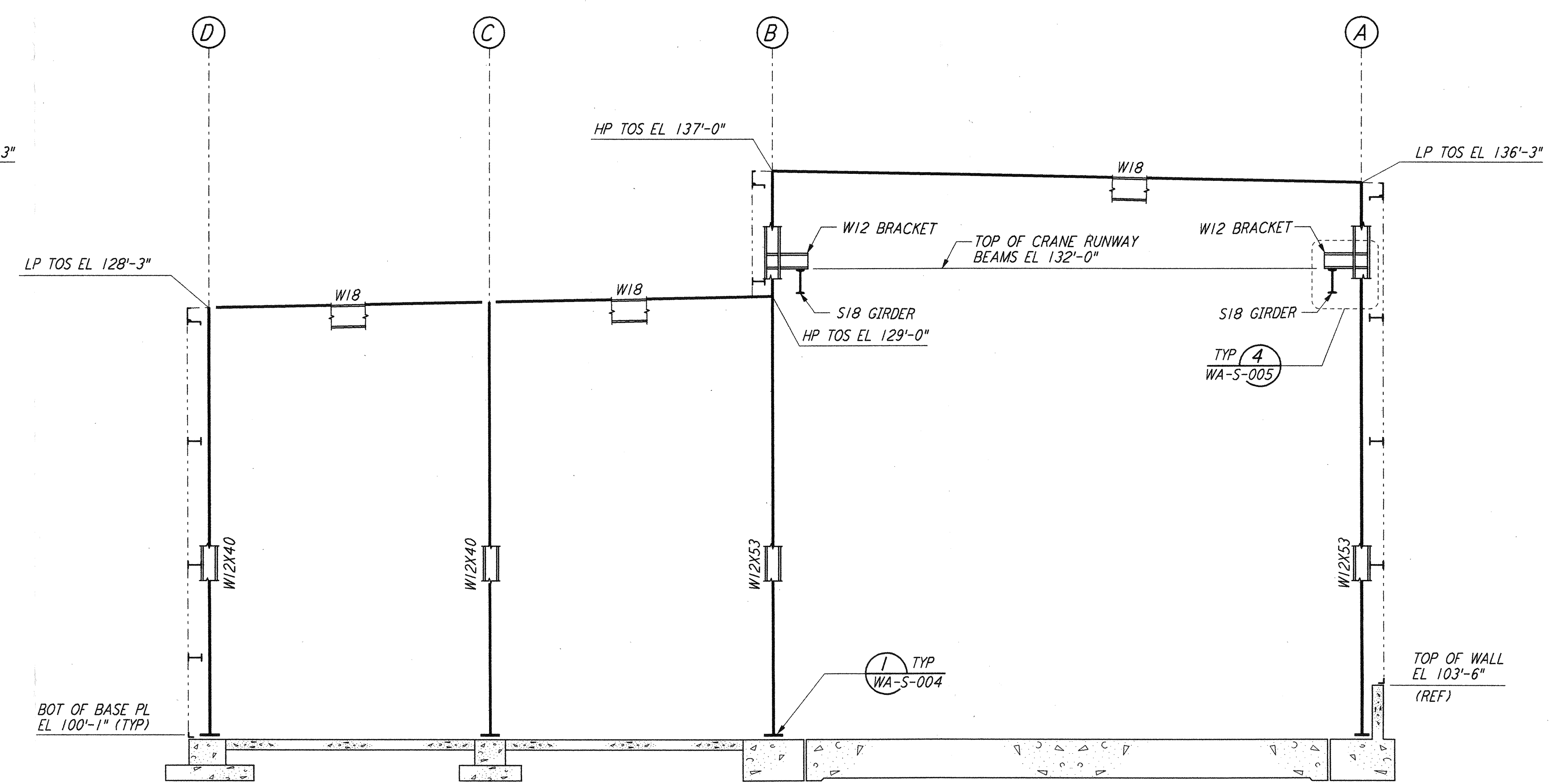
LOOKING EAST - FOR END STATION "B" & MID STATION "B" ON ARM 1 (SOUTHWEST ARM)  
 LOOKING NORTH - FOR END STATION "A" & MID STATION "A" ON ARM 2 (NORTHWEST ARM)  
 ELEVATION AT COLUMN LINE 1  
 $\frac{3}{16}'' = 1'-0''$



LOOKING EAST - FOR END STATION "B" & MID STATION "B" ON ARM 1 (SOUTHWEST ARM)  
 LOOKING NORTH - FOR END STATION "A" & MID STATION "A" ON ARM 2 (NORTHWEST ARM)  
 ELEVATION AT COLUMN LINE 2  
 $\frac{3}{16}'' = 1'-0''$

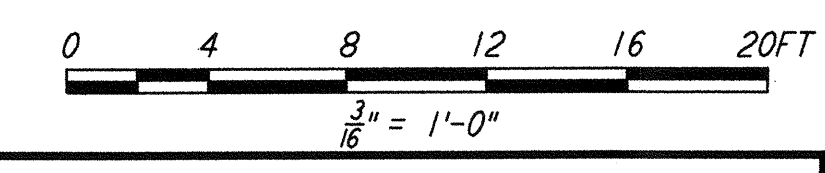


LOOKING WEST - FOR END STATION "B" & MID STATION "B" ON ARM 1 (SOUTHWEST ARM)  
 LOOKING SOUTH - FOR END STATION "A" & MID STATION "A" ON ARM 2 (NORTHWEST ARM)  
 ELEVATION AT COLUMN LINE 3  
 $\frac{3}{16}'' = 1'-0''$



LOOKING WEST - FOR END STATION "B" & MID STATION "B" ON ARM 1 (SOUTHWEST ARM)  
 LOOKING SOUTH - FOR END STATION "A" & MID STATION "A" ON ARM 2 (NORTHWEST ARM)  
 ELEVATION AT COLUMN LINE 4  
 $\frac{3}{16}'' = 1'-0''$

- NOTES:
- FOR NOTES SEE DRAWING WA-S-108.
  - FOR VERTICAL BRACING CONNECTIONS, SEE DETAIL 5 WA-S-006



LIGO-D960311-01-0

NO.	DATE	BY	CHKD	ENGR	PROJ	DESCRIPTION
1	6-15-98	CKT	BP	BP	PP	ISSUED FOR AS-BUILT

ISSUED FOR CONSTRUCTION		
DRAWN	MCS	6-24-96
CHECKED	DDM	7-2-96
ENGINEER	BP	6-28-96
PROJ	MDW	7-9-96

**AS-BUILT DRAWINGS**

100 WEST WALNUT STREET  
PASADENA, CALIFORNIA

CALIFORNIA INSTITUTE OF TECHNOLOGY  
MASSACHUSETTS INSTITUTE OF TECHNOLOGY

LASER INTERFEROMETER  
GRAVITATIONAL-WAVE OBSERVATORY  
SITE NO. 1 - HANFORD, WASHINGTON

TITLE	STRUCTURAL MID & END STATIONS FRAMING ELEVATIONS SHEET 1	AS NOTED	PP150969	8094
SHEET NUMBER	WA-S-205	REVISIONS		