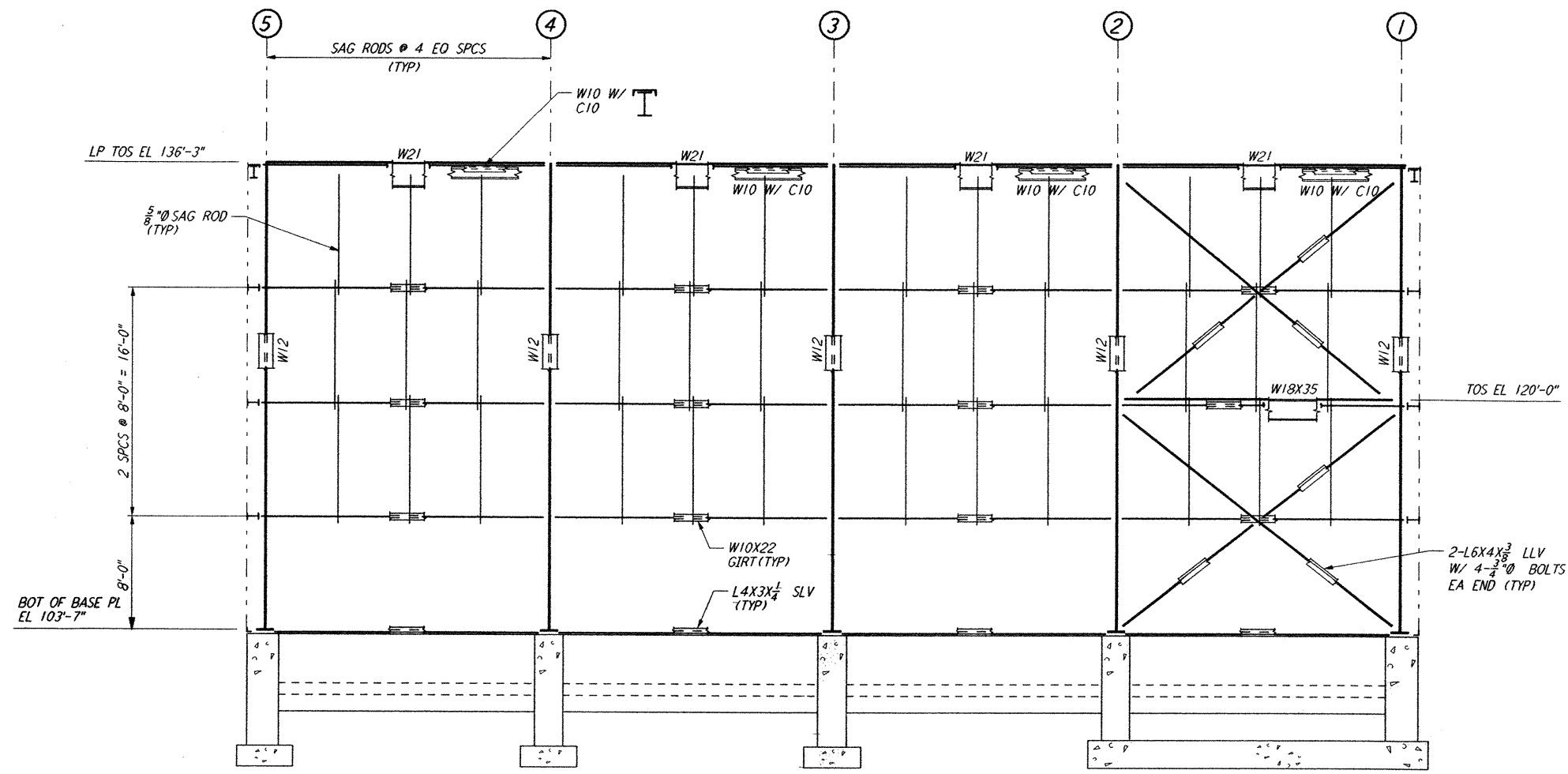
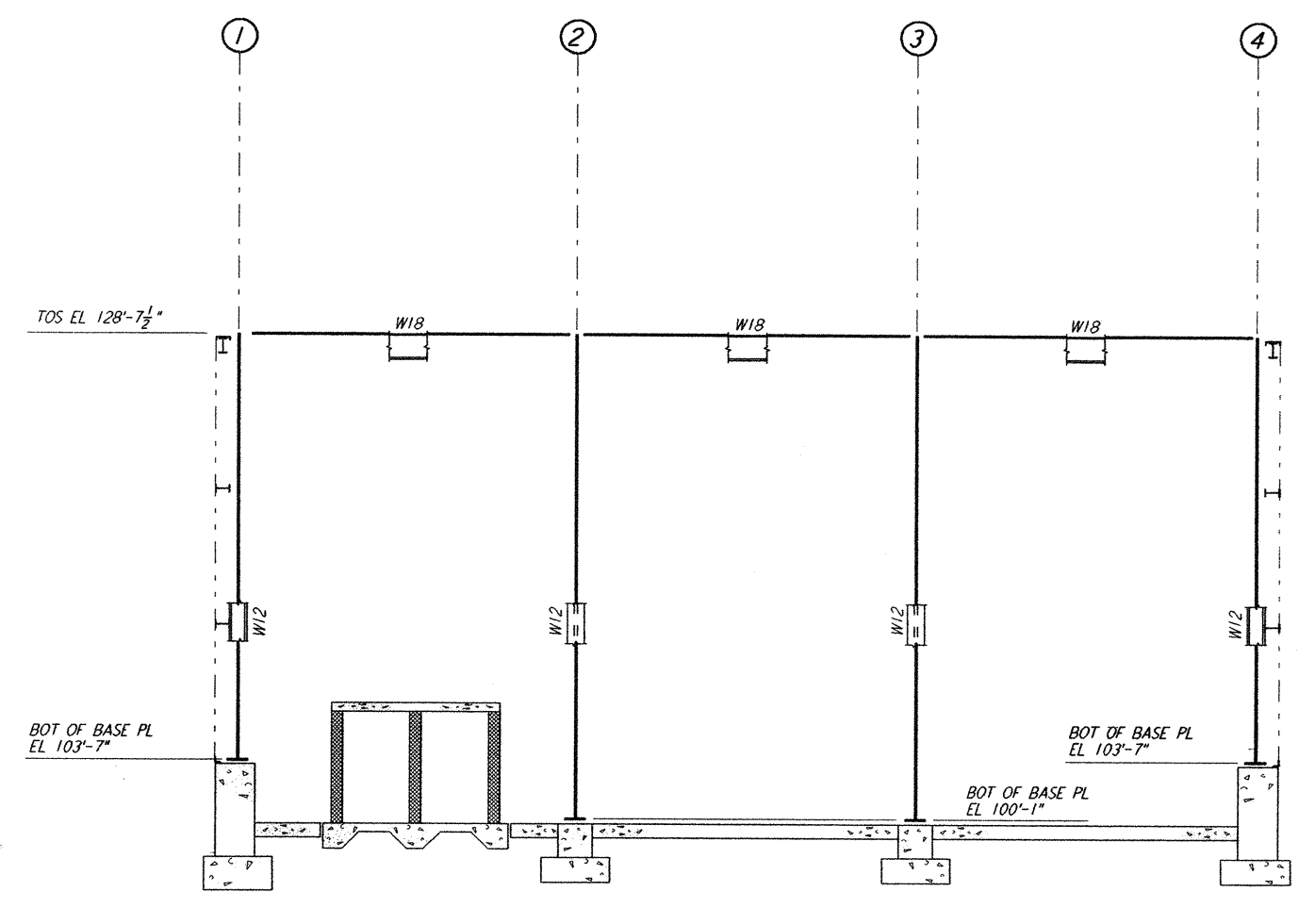


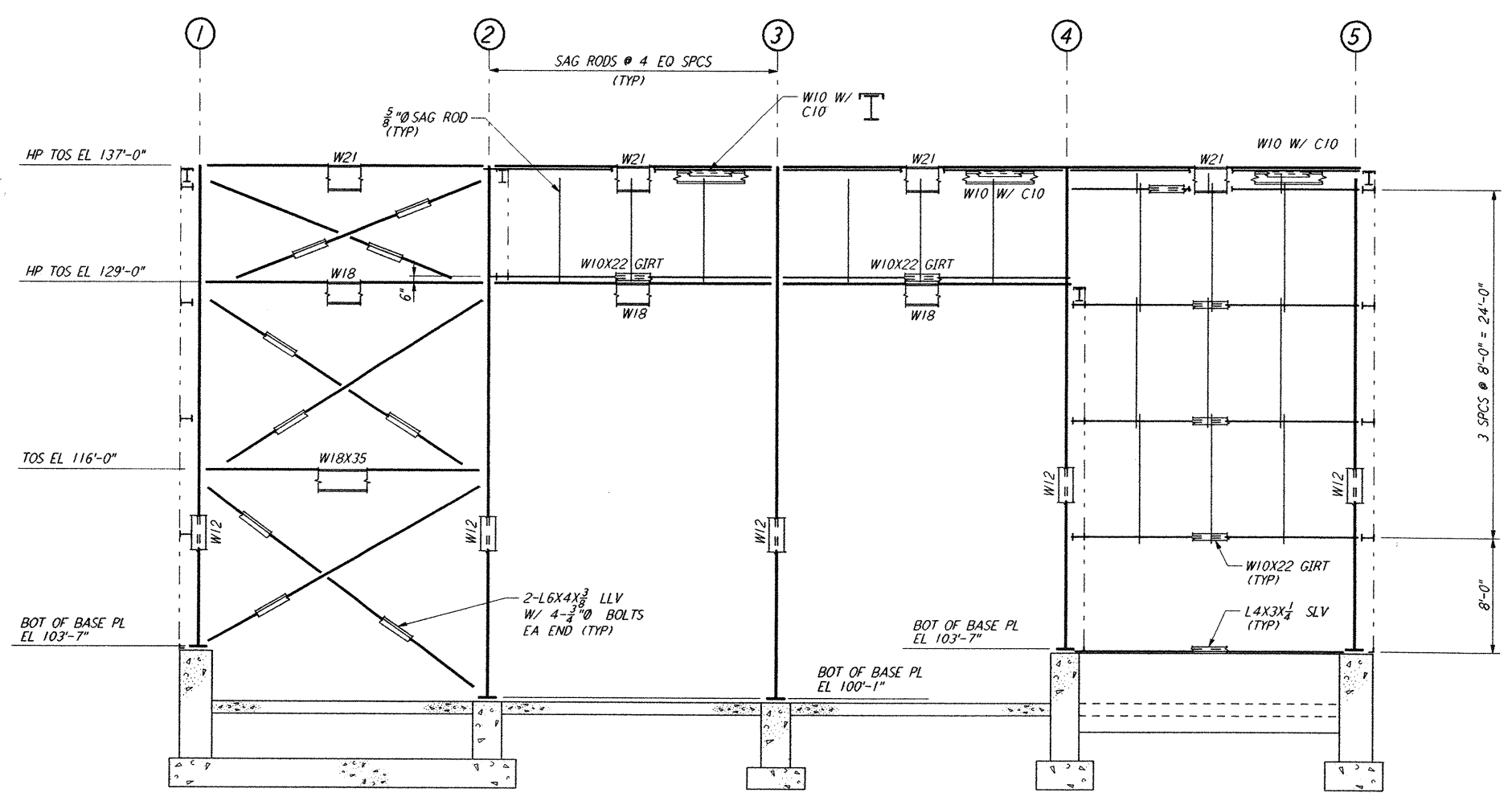
This document and the design it covers are the property of PARSONS. They are loaned only with the borrower's expressed written agreement that they will not be reproduced, copied, loaned, exhibited, or used in any other way, except by written consent from PARSONS to the borrower.



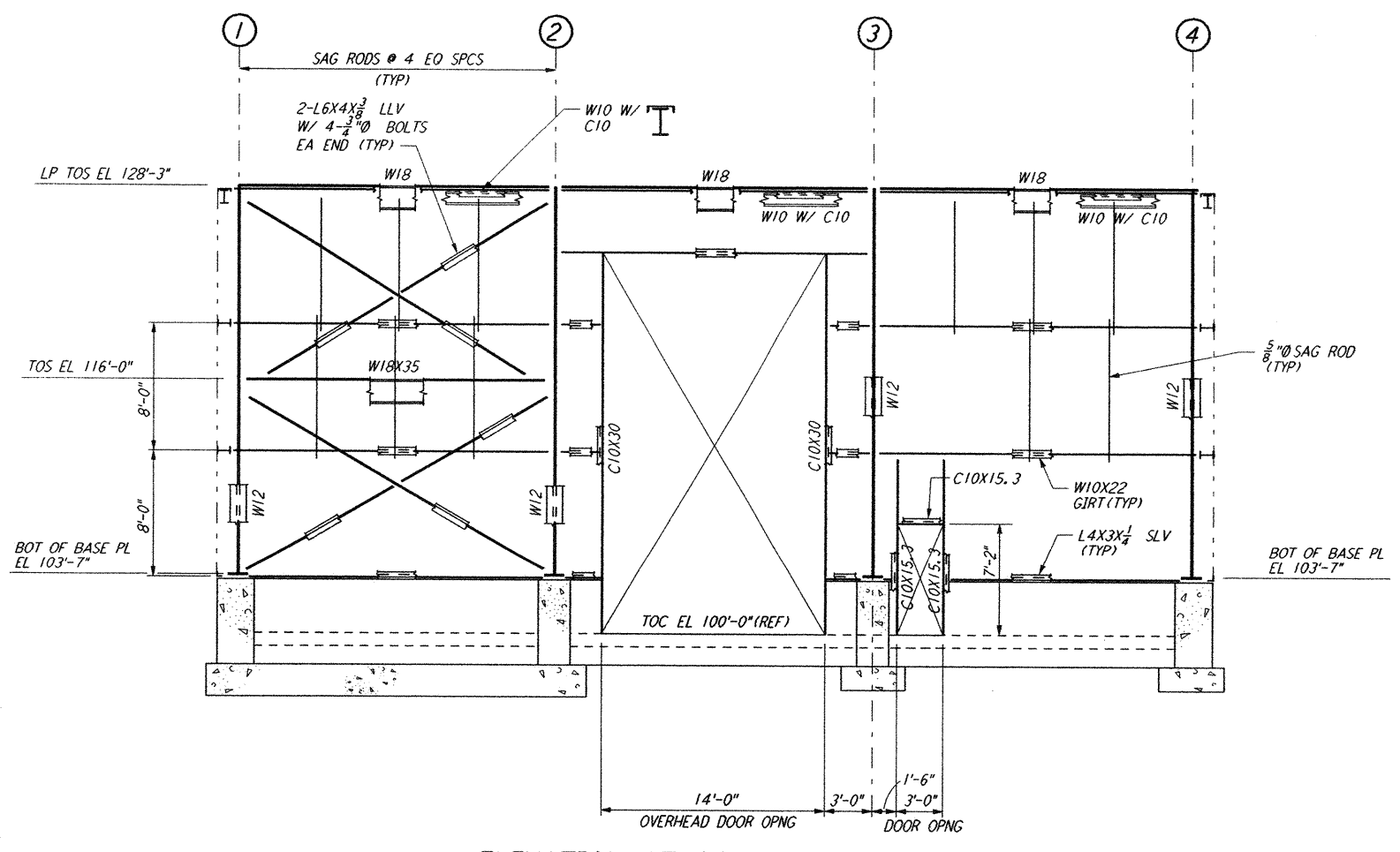
ELEVATION AT COLUMN LINE A
 $\frac{1}{8}'' = 1'-0''$



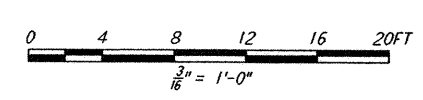
ELEVATION AT COLUMN LINE C
 $\frac{1}{8}'' = 1'-0''$



ELEVATION AT COLUMN LINE B
 $\frac{1}{8}'' = 1'-0''$



ELEVATION AT COLUMN LINE D
 $\frac{1}{8}'' = 1'-0''$



NO.	DATE	APRD BY	DESCRIPTION OF REVISION

NO.	DATE	APRD BY	ISSUED FOR

DATE: 10-31-95
 DRAWN: MCS
 CHECKED: []
 ENGINEER: []
 PROJ MGR: []

PARSONS
 100 WEST WALNUT STREET
 PASADENA, CALIFORNIA

LIGO
 CALIFORNIA INSTITUTE OF TECHNOLOGY
 MASSACHUSETTS INSTITUTE OF TECHNOLOGY

LASER INTERFEROMETER
 GRAVITATIONAL-WAVE OBSERVATORY
 SITE NO. 1 - HANFORD, WASHINGTON

TITLE: MID STATION FRAMING ELEVATIONS SHEET 2
 AS NOTED PPI50969 8094
 SHEET NUMBER: WA-S-206

Mon Oct 30 22:29:37 1995 S3-V18B2 J:\PLOTS\QUEUES\V18B2\ST206.PRF