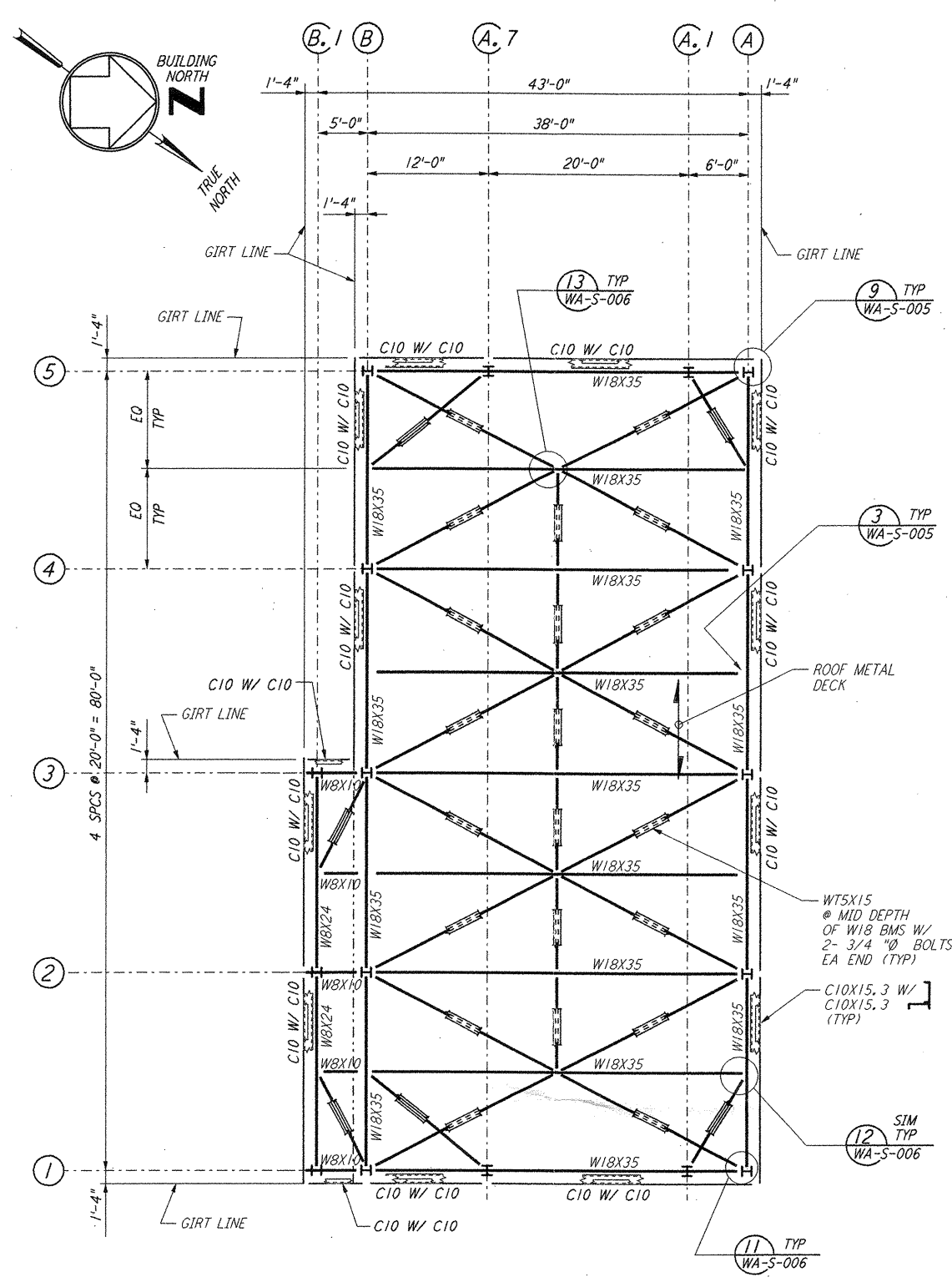
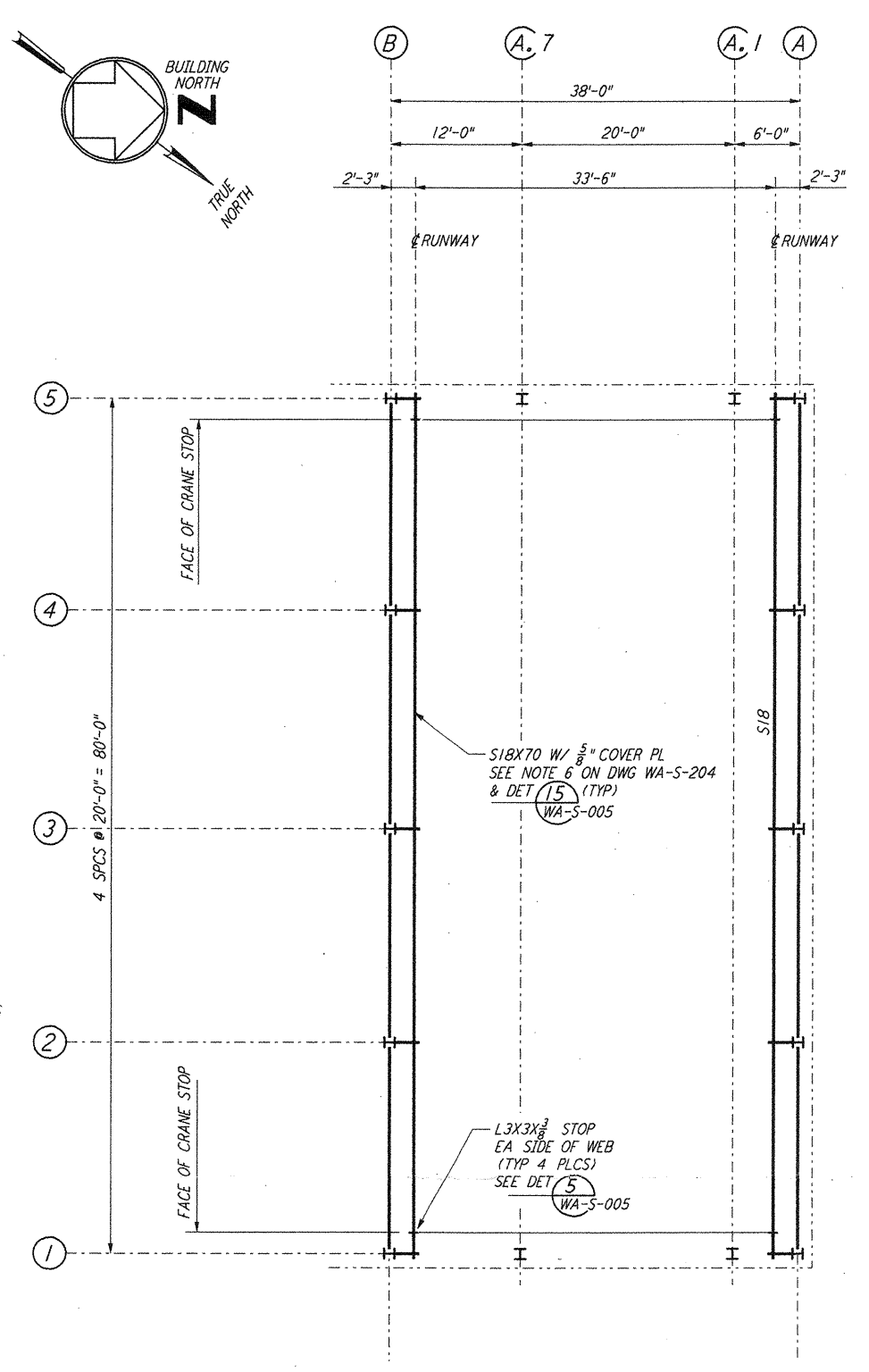


FOR END STATION "B" & MID STATION "B" ON ARM 1 (SOUTHWEST ARM)
LOW ROOF FRAMING PLAN
 1/8" = 1'-0"

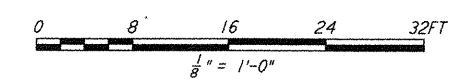
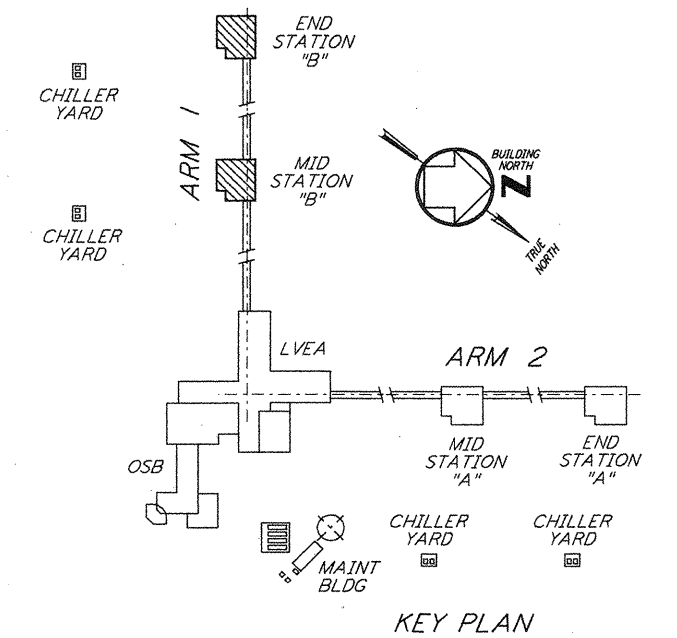


FOR END STATION "B" & MID STATION "B" ON ARM 1 (SOUTHWEST ARM)
HIGH ROOF FRAMING PLAN
 1/8" = 1'-0"



FOR END STATION "B" & MID STATION "B" ON ARM 1 (SOUTHWEST ARM)
CRANE GIRDER FRAMING PLAN
 1/8" = 1'-0"

NOTE:
 1. FOR NOTES SEE DRAWING WA-S-204.



KEY PLAN
LIGO-D960315-01-O

NO.	DATE	BY	CHKD	ENGR	PROJ	DESCRIPTION
1	6-16-98	CKT	BP	MDW	PP	ISSUED FOR AS-BUILT

ISSUED FOR CONSTRUCTION
 DRAWN MCS 6-24-96
 CHECKED DDM 7-2-96
 ENGINEER BP 6-28-96
 PROJ MDW 7-9-96

AS-BUILT DRAWINGS

PARSONS
 100 WEST WALNUT STREET
 PASADENA, CALIFORNIA

LIGO
 CALIFORNIA INSTITUTE OF TECHNOLOGY
 MASSACHUSETTS INSTITUTE OF TECHNOLOGY

LASER INTERFEROMETER
 GRAVITATIONAL-WAVE OBSERVATORY
 SITE NO. 1 - HANFORD, WASHINGTON

STRUCTURAL
 MID & END STATIONS "B"
 ROOF & CRANE GIRDER
 FRAMING PLANS

AS NOTED PPI 150969 8094
WA-S-209

This document and the design it covers are the property of PARSONS. They are loaned only with the borrower's expressed written agreement that they will not be reproduced, copied, loaned, exhibited, or used in any other way, except by written consent from PARSONS to the borrower.