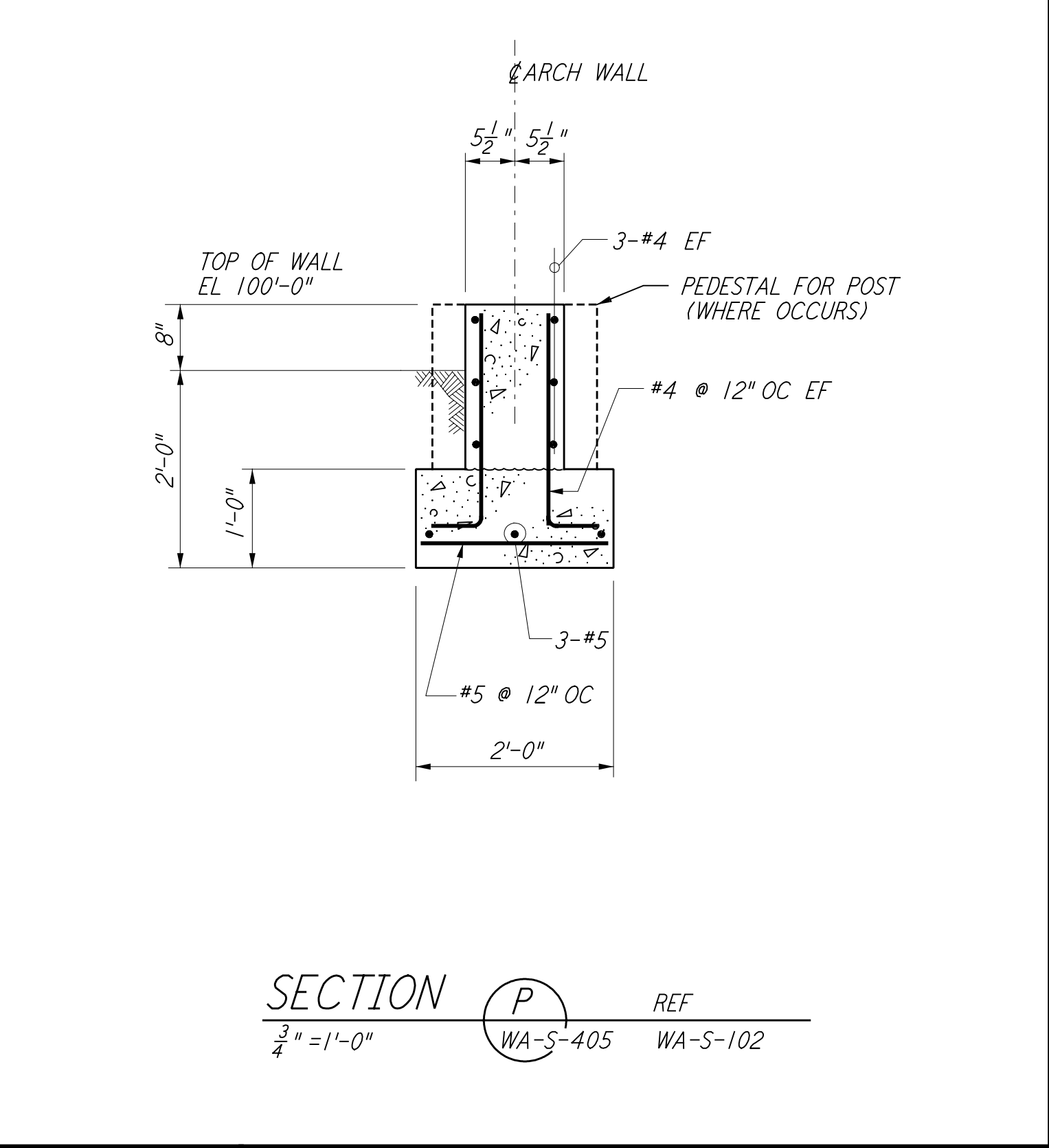
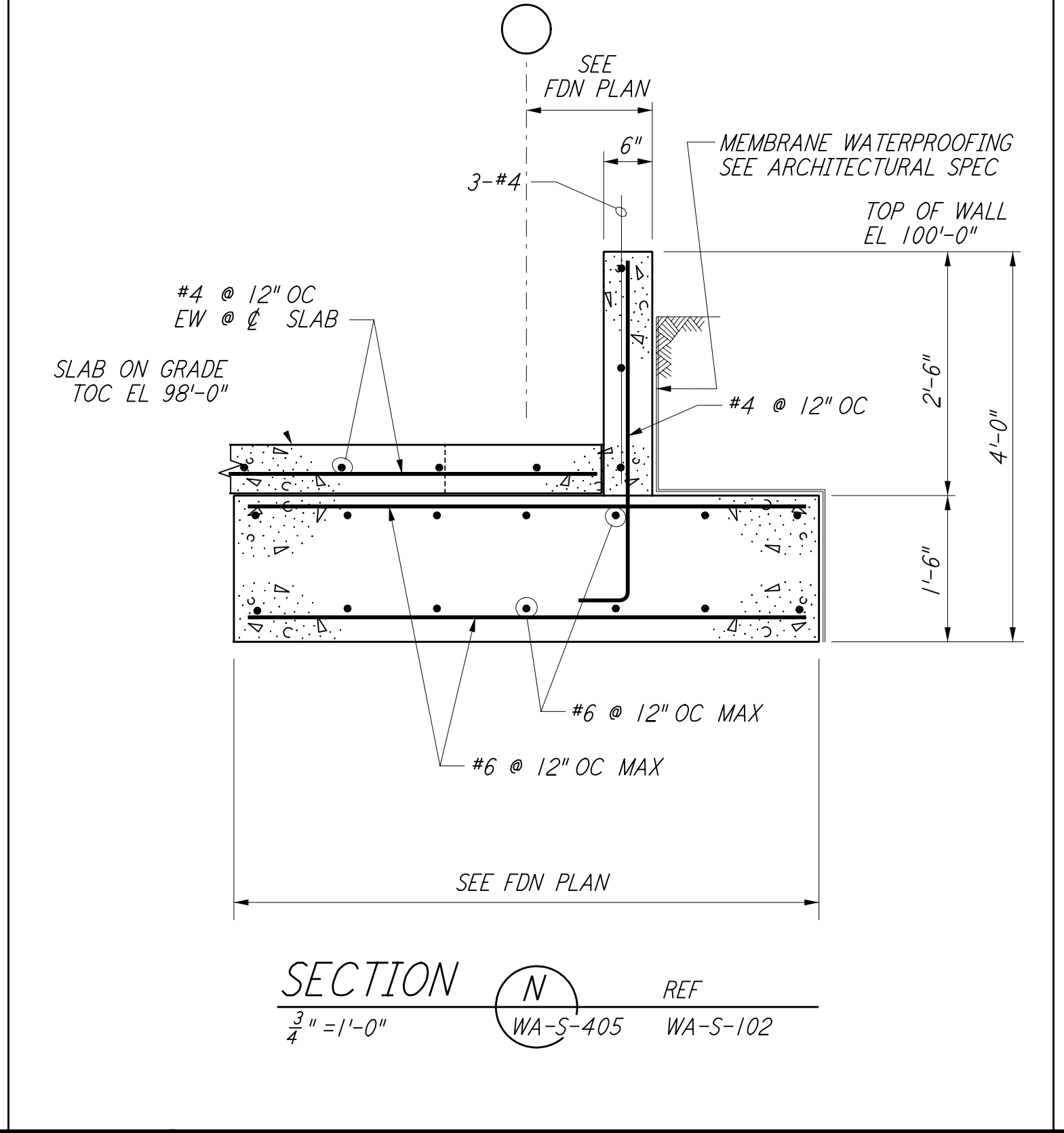
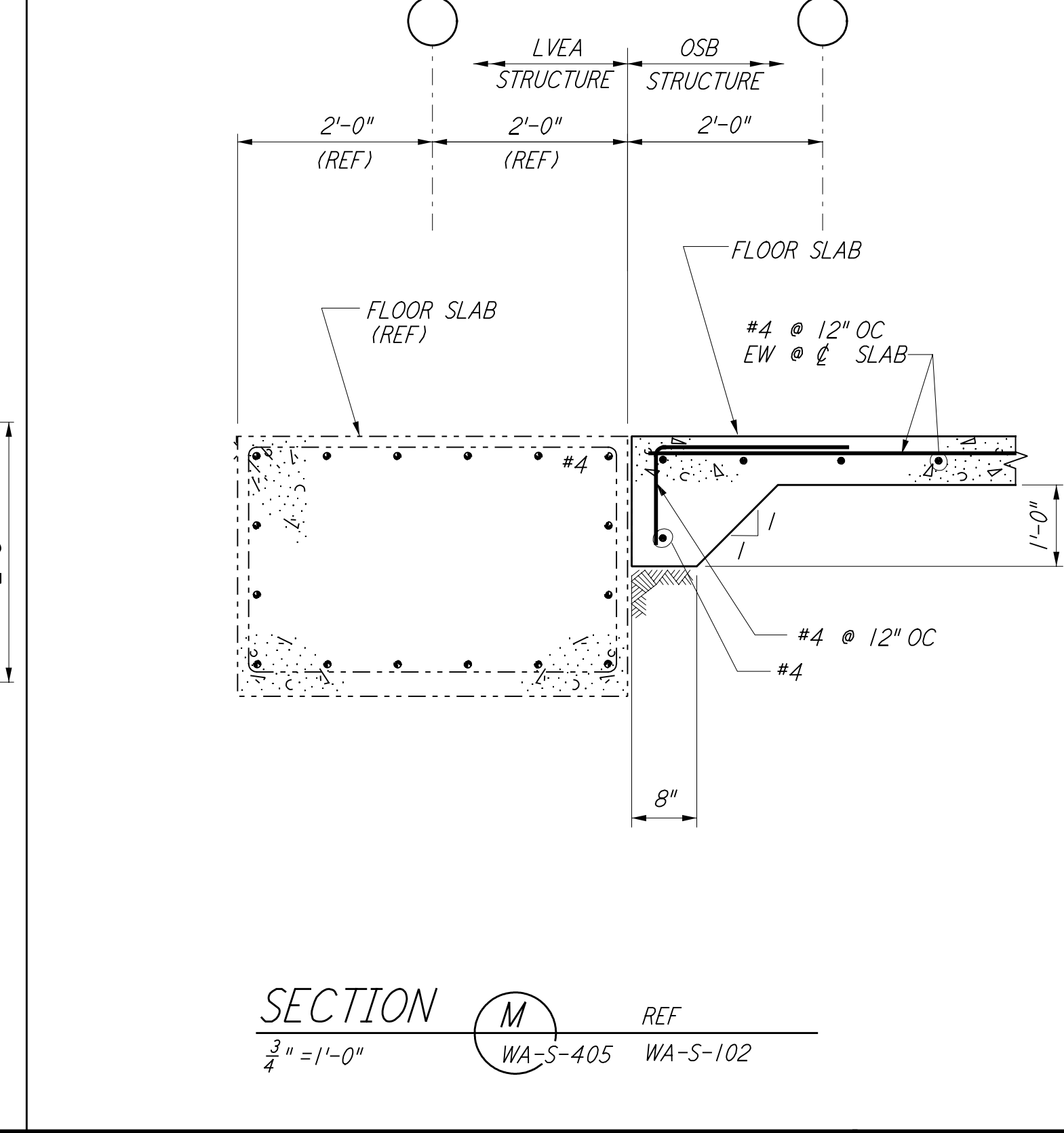
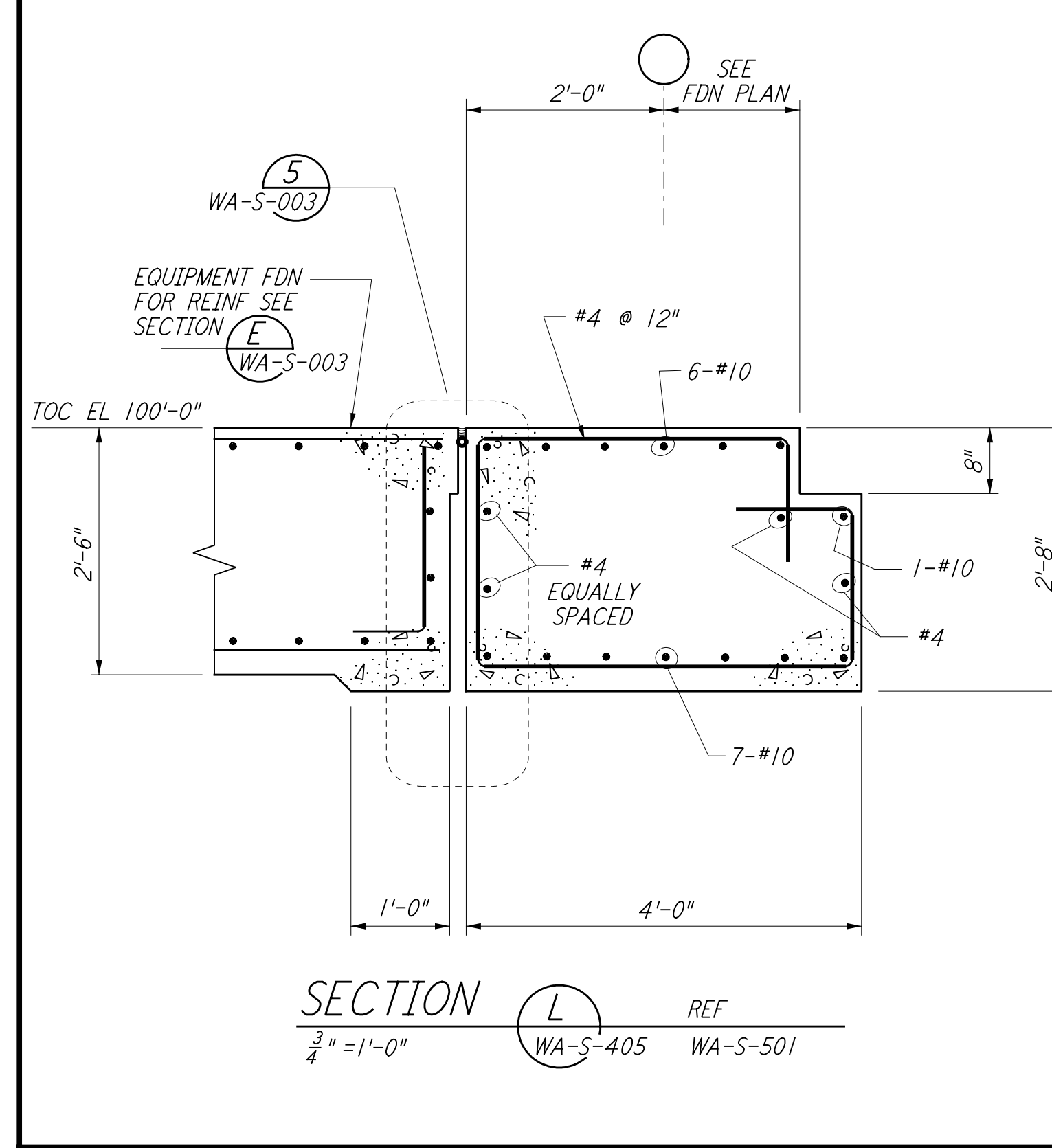
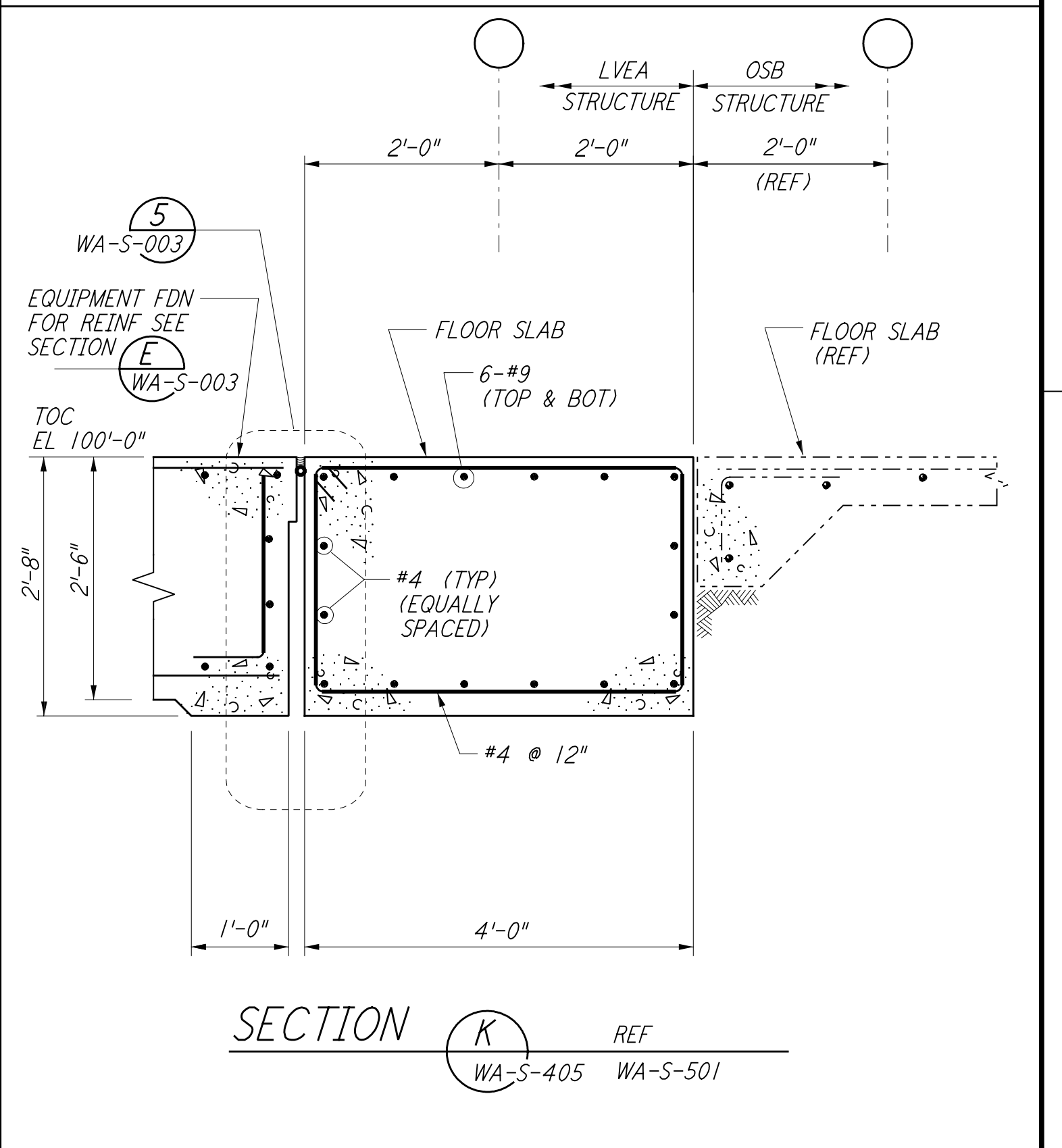
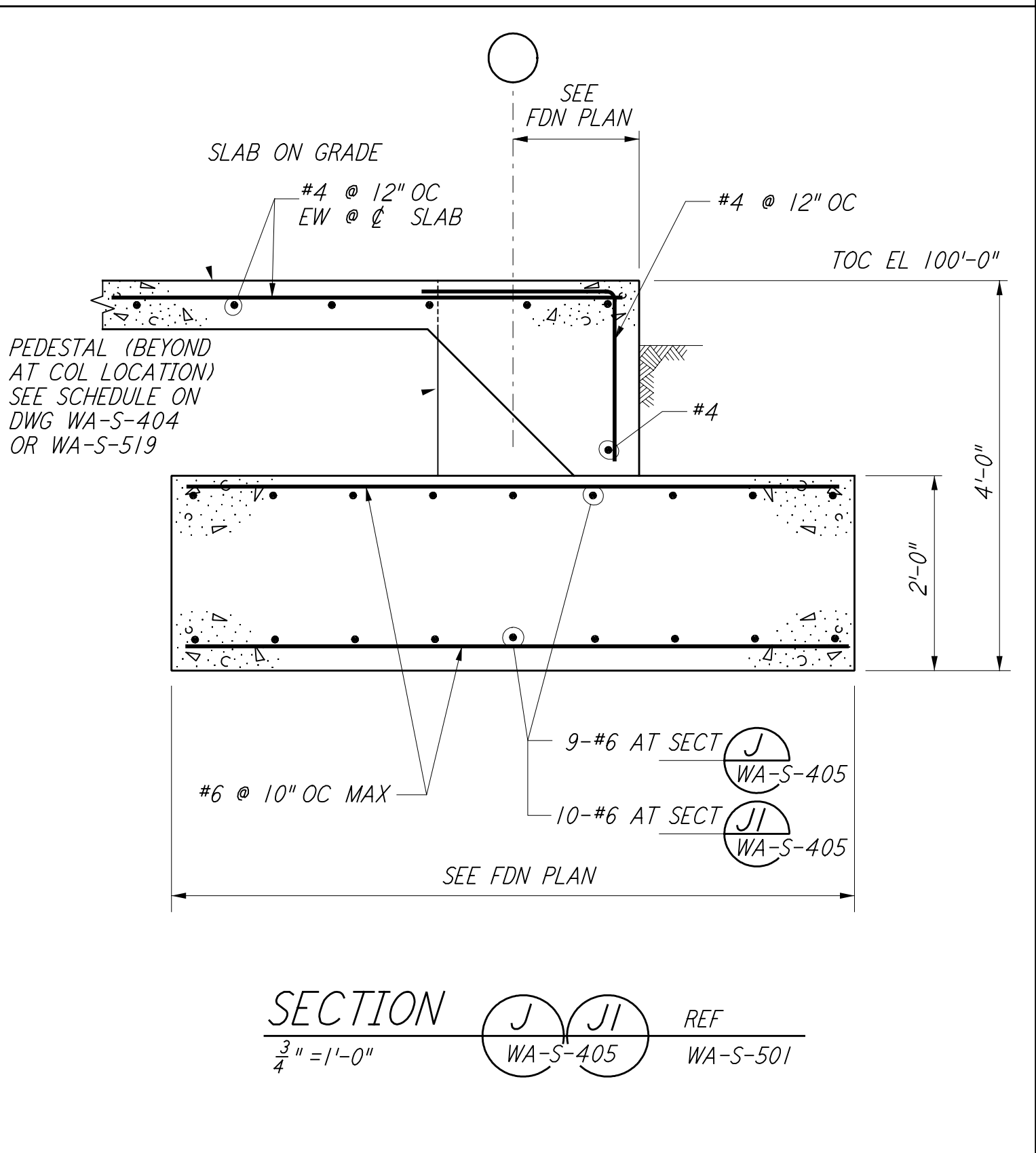
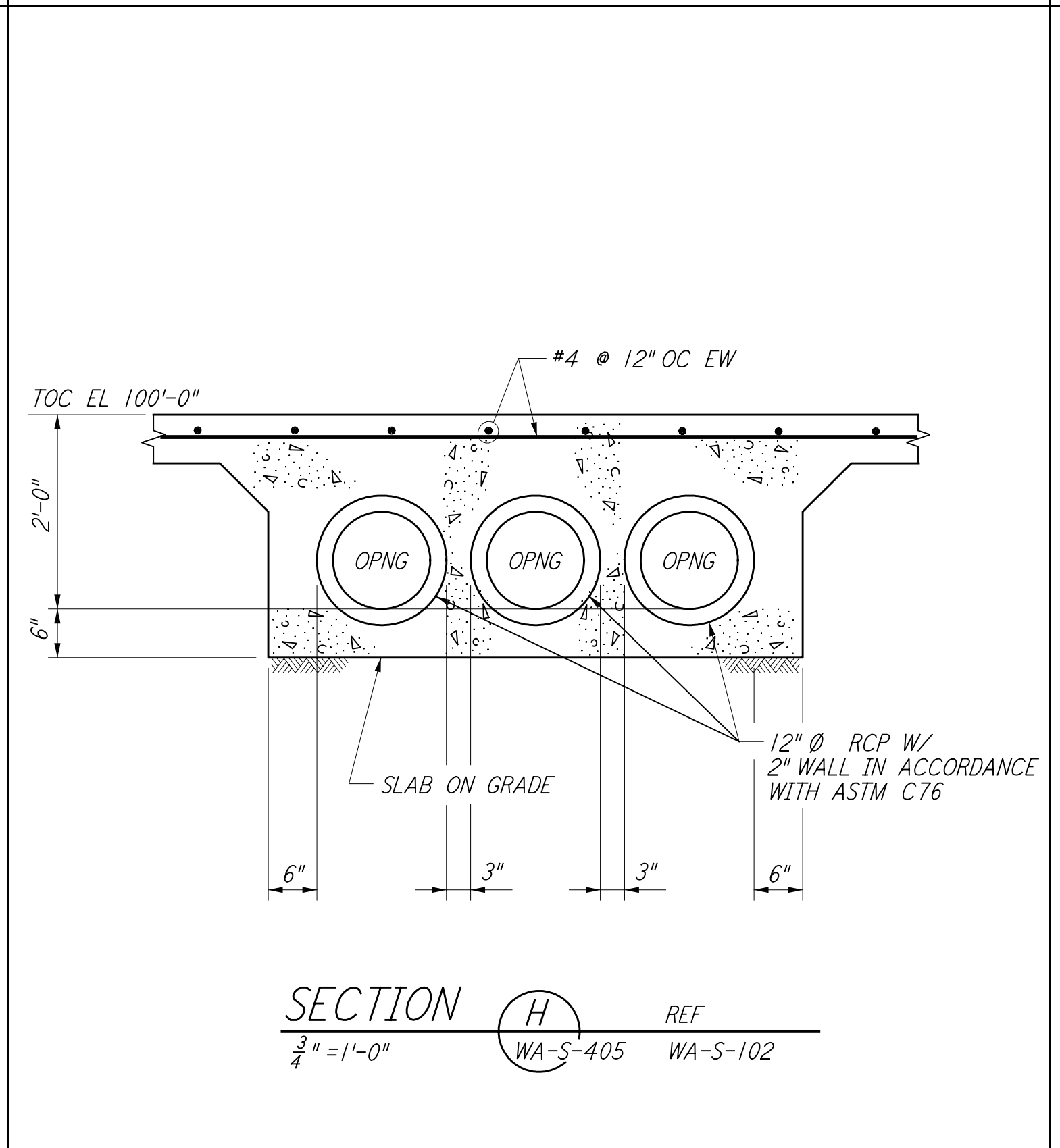
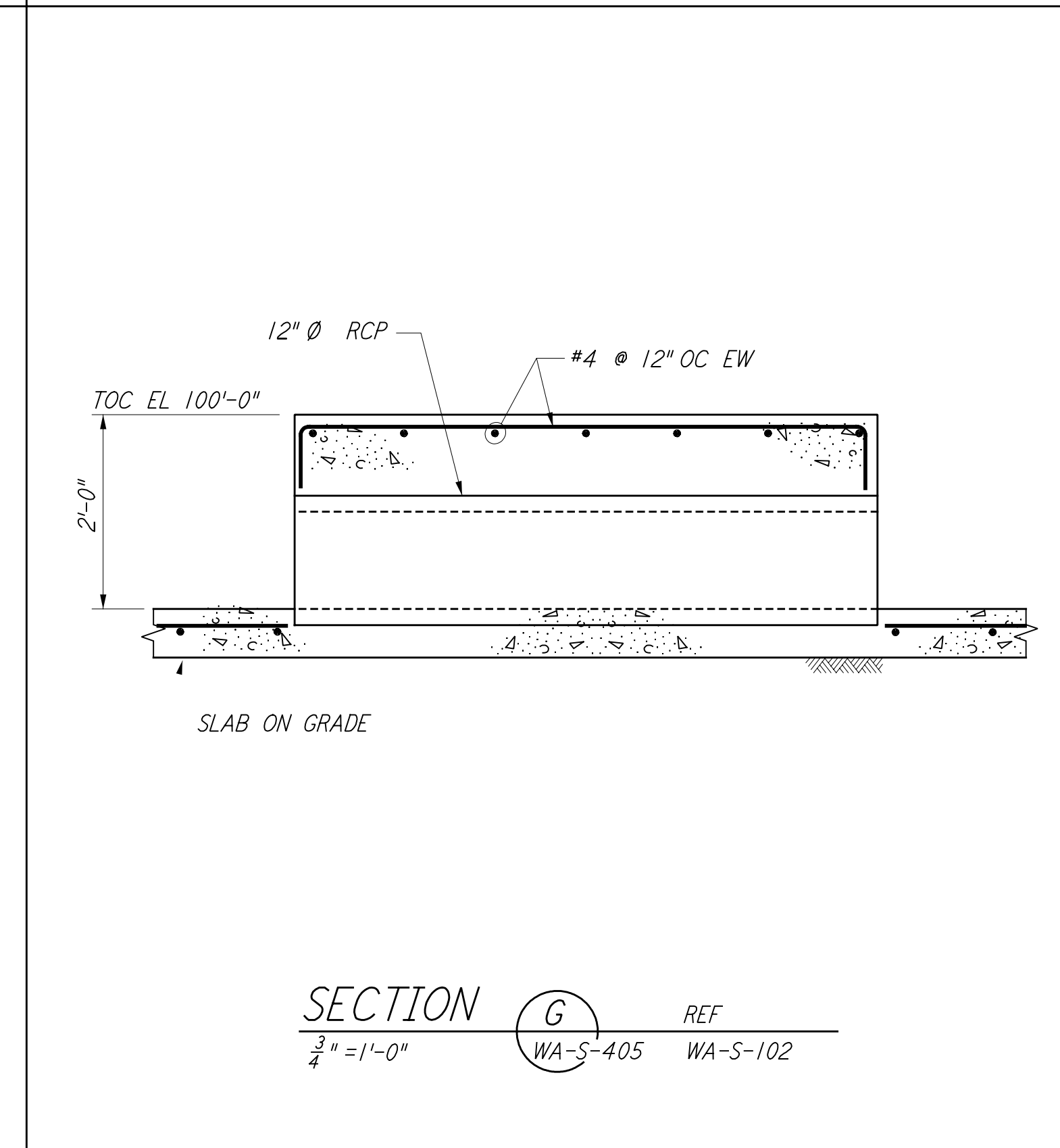
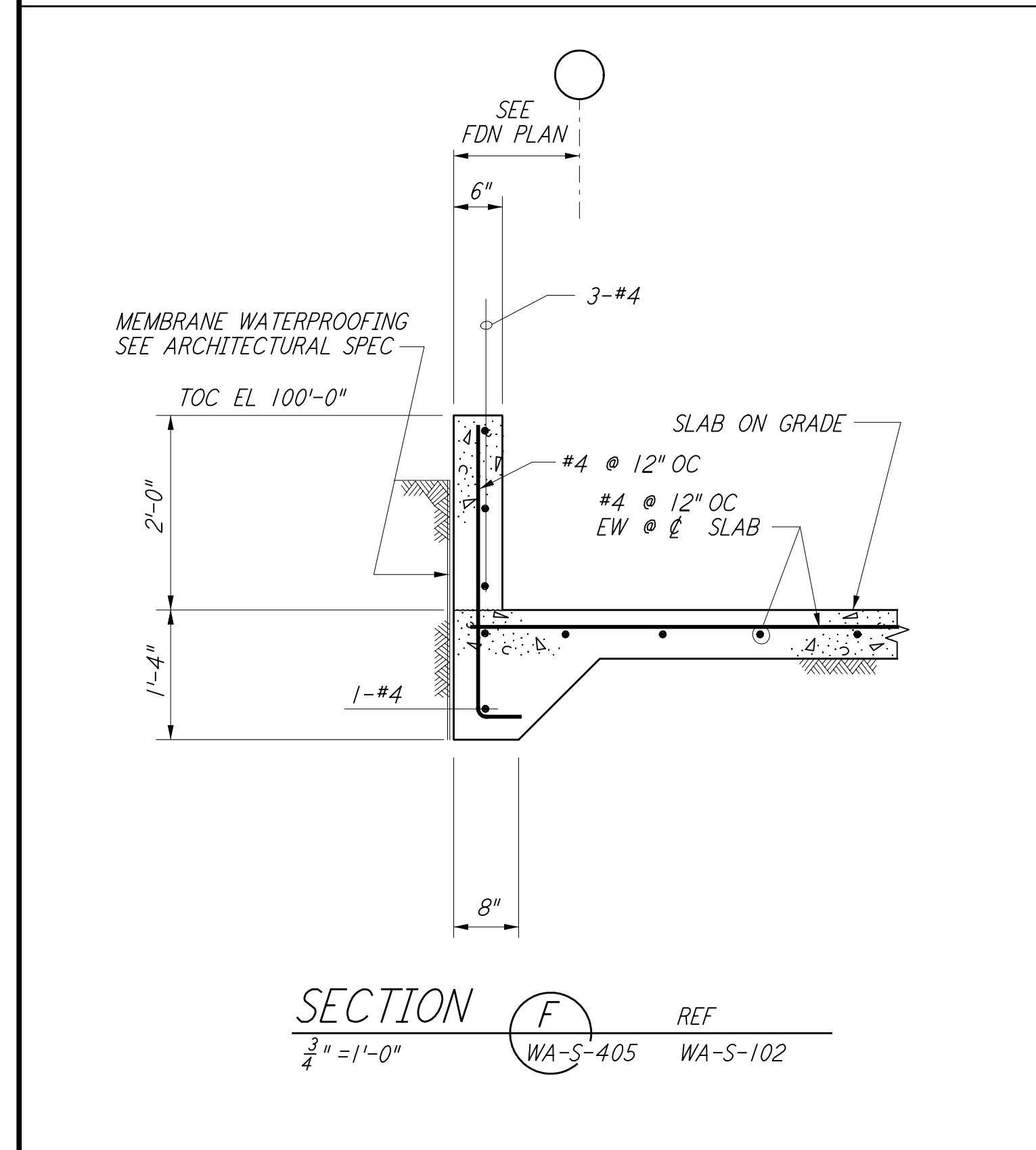
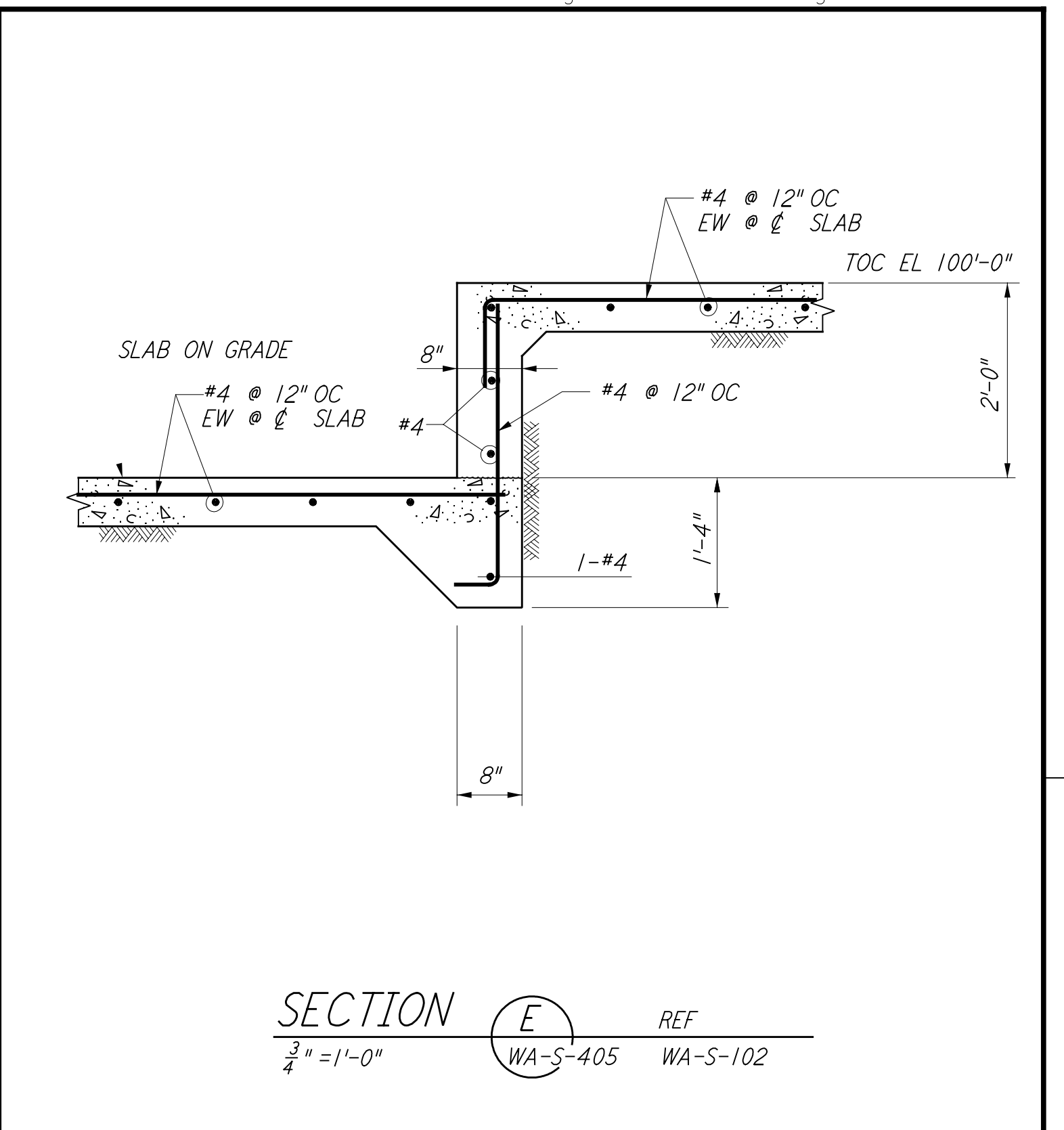
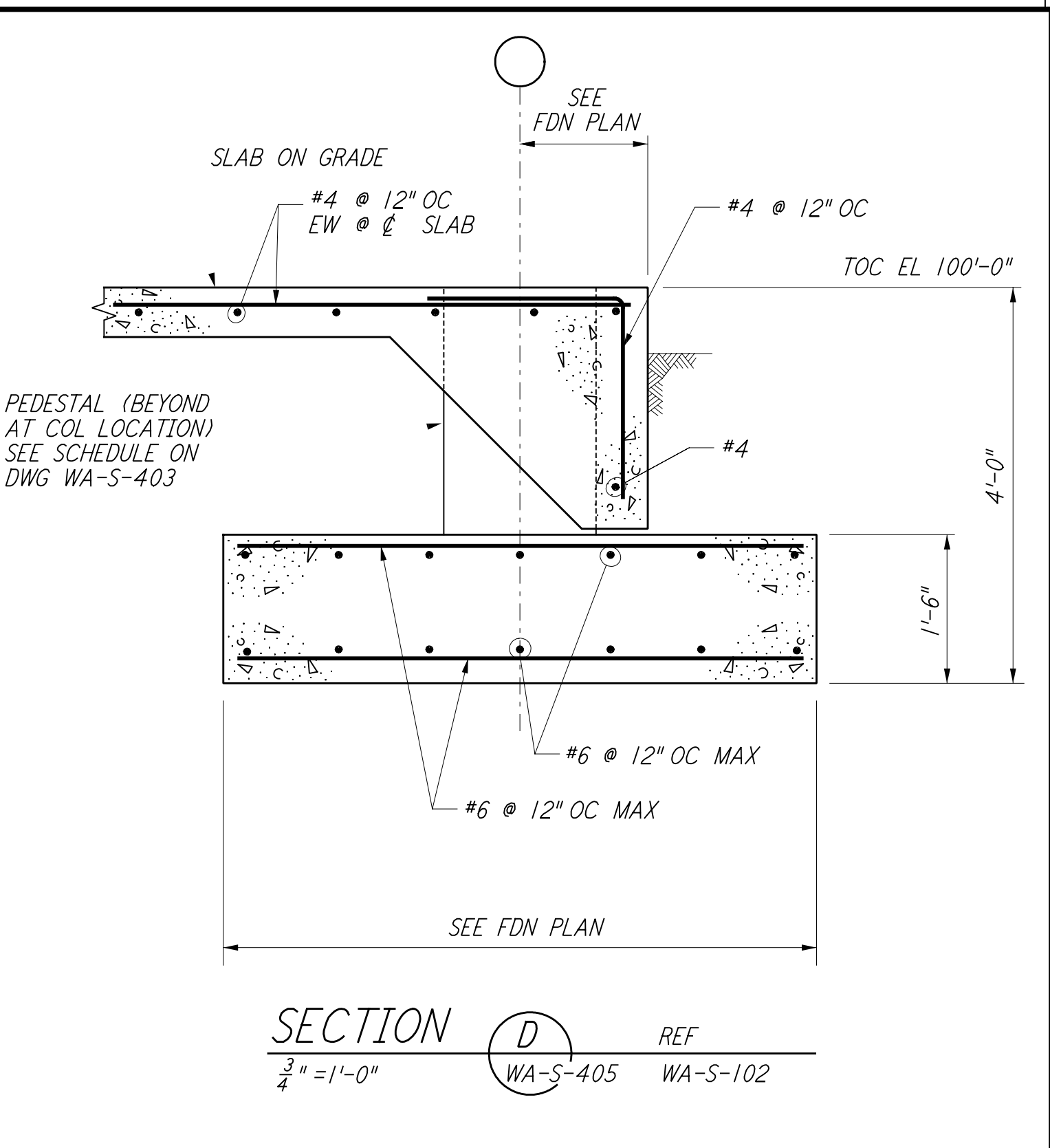
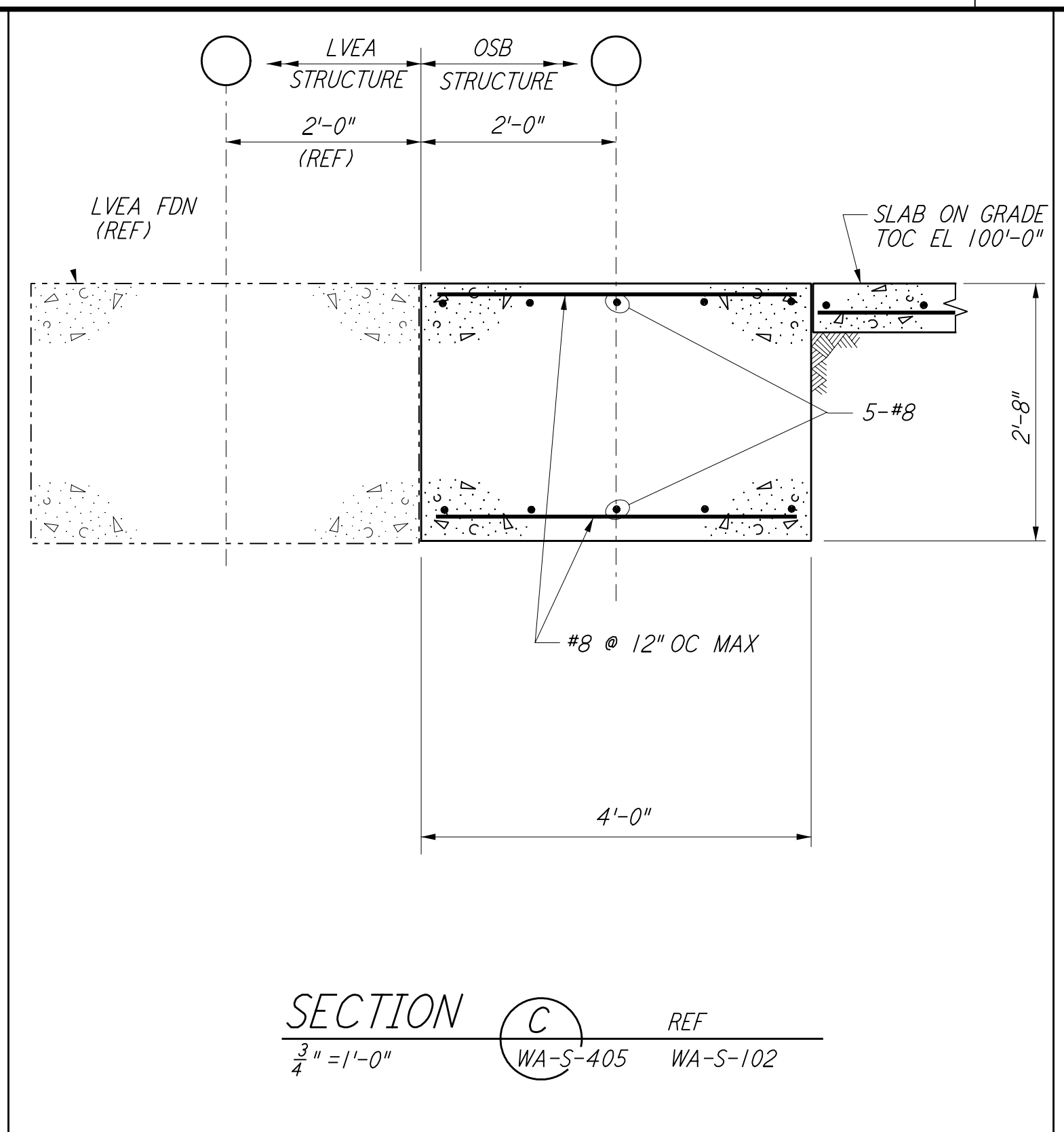
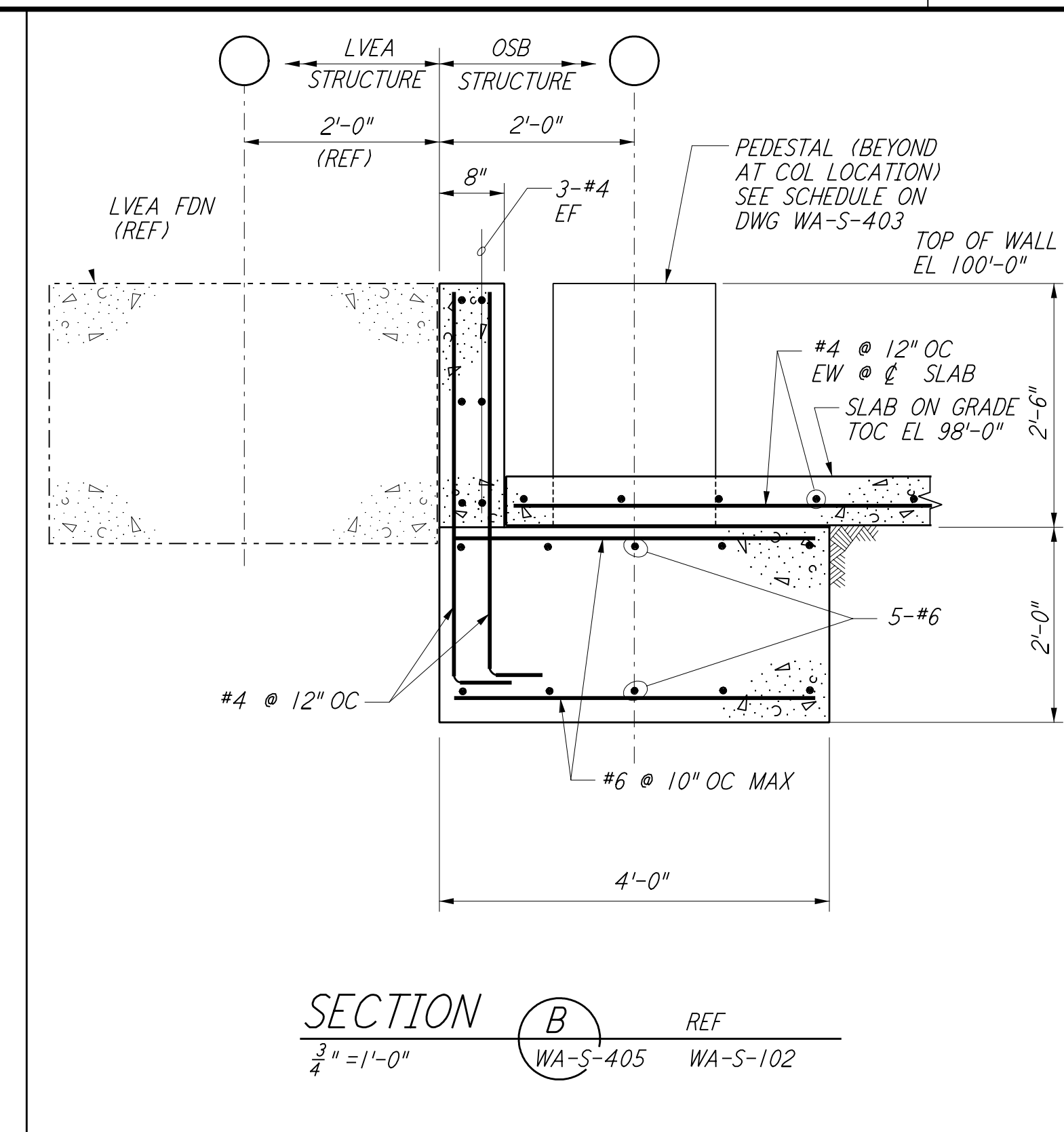
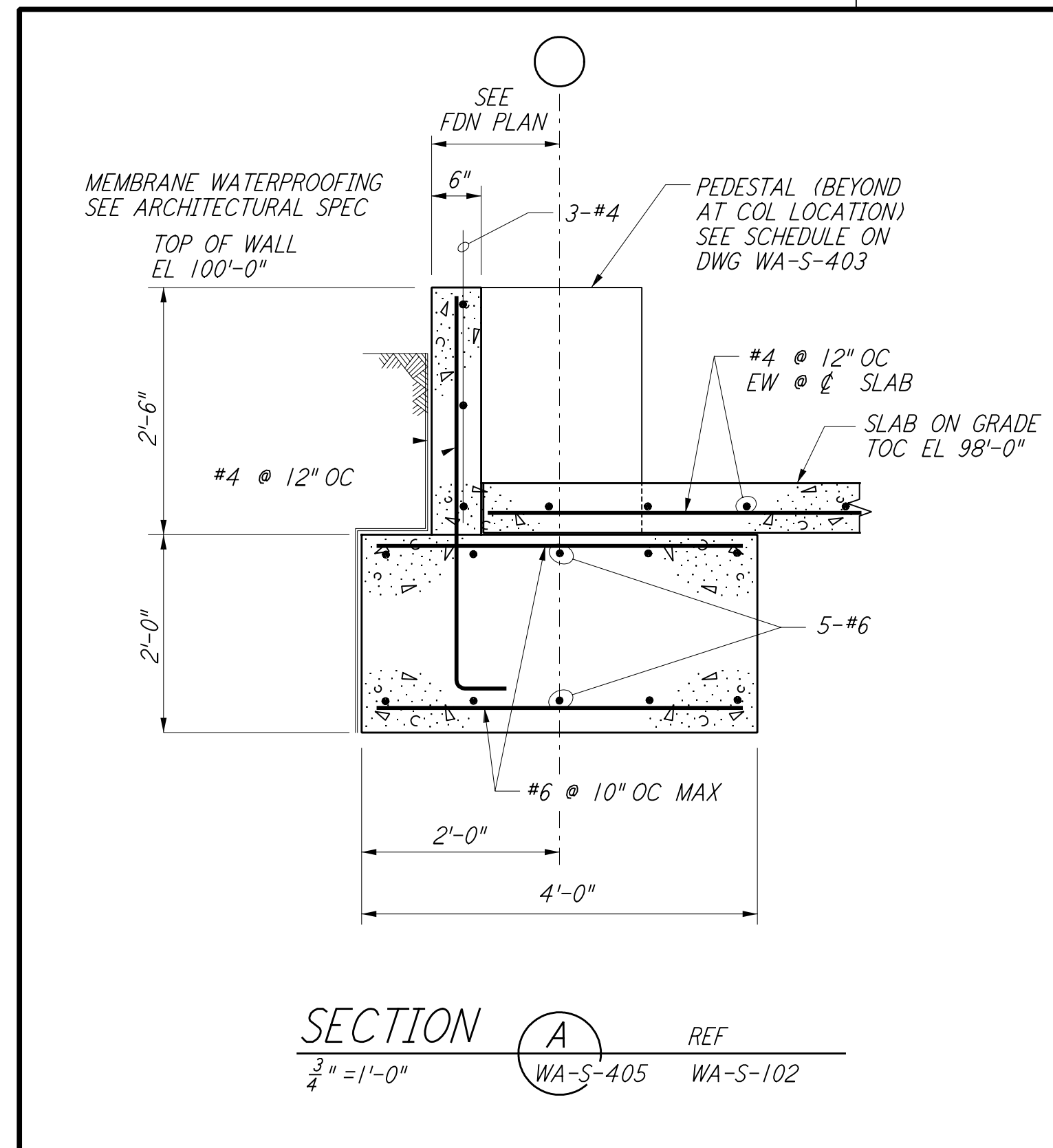


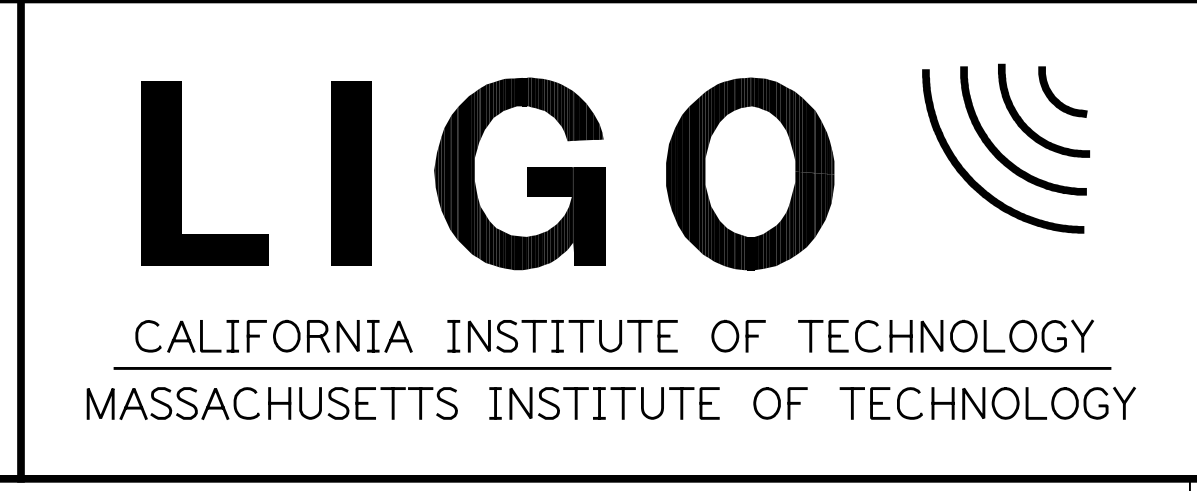
This document and the design it covers are the property of PARSONS. They are loaned only with the borrower's expressed written agreement that they will not be reproduced, copied, loaned, exhibited, or used in any other way, except by written consent from PARSONS to the borrower.



NO.	DATE	BY	CHKD	ENGR	PROJ	DESCRIPTION
1	6-15-98	CKT				ISSUED FOR AS-BUILT

AS-BUILT DRAWINGS

ISSUED FOR CONSTRUCTION		
DRAWN	MCS	6-24-96
CHECKED	DDM	7-2-96
ENGINEER	BP	6-28-96
PROJ	MDW	7-9-96



LIGO-D960319-01-0

LASER INTERFEROMETER GRAVITATIONAL-WAVE OBSERVATORY
 SITE NO. I - HANFORD, WASHINGTON

TITLE	SCALE	DESIGN NUMBER	PROJECT NUMBER
STRUCTURAL FOUNDATION SECTIONS & DETAILS SHEET I	AS NOTED	PP150969	8094
SHEET NUMBER		REVISIONS	
WA-S-405			