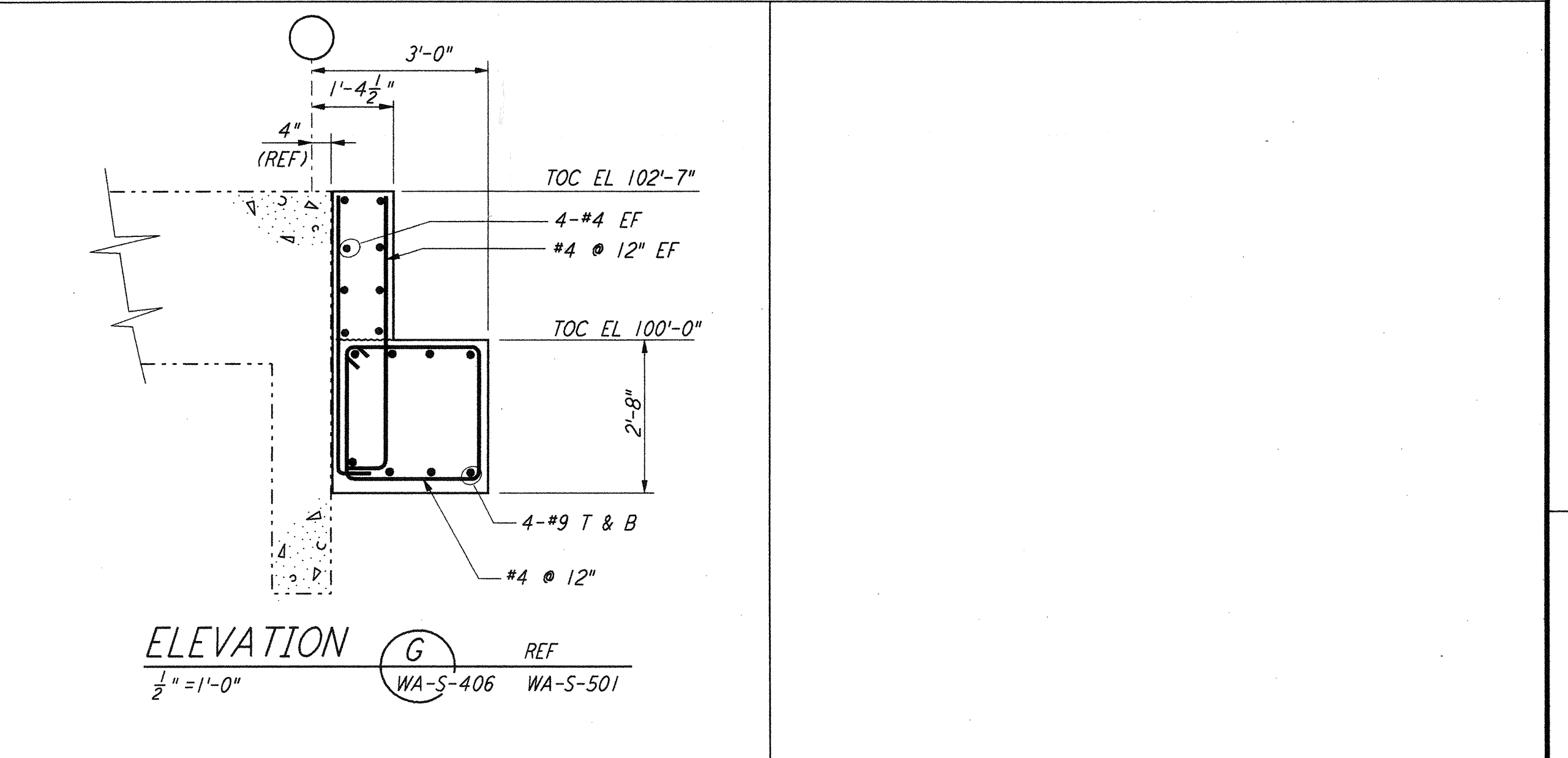
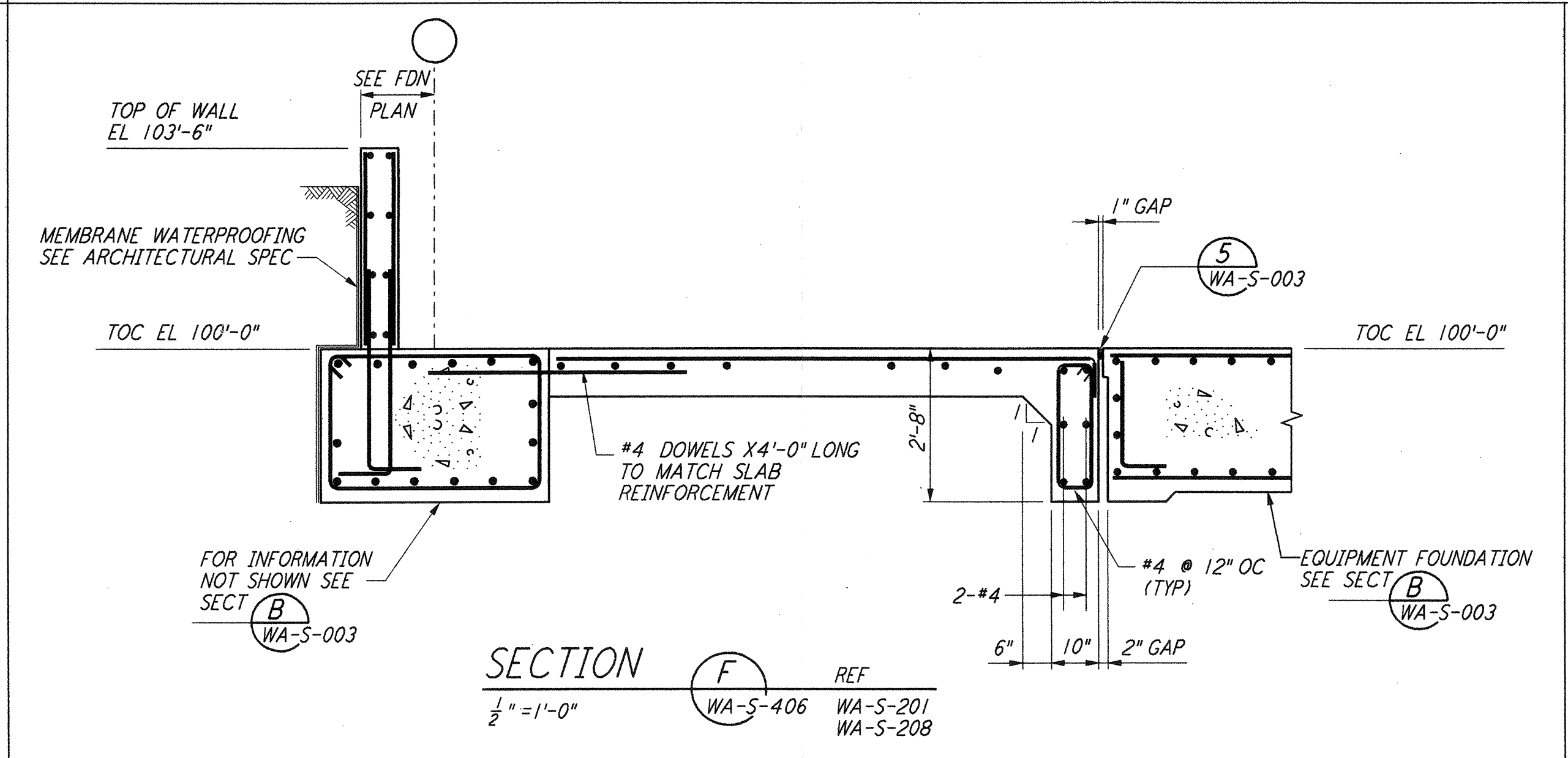
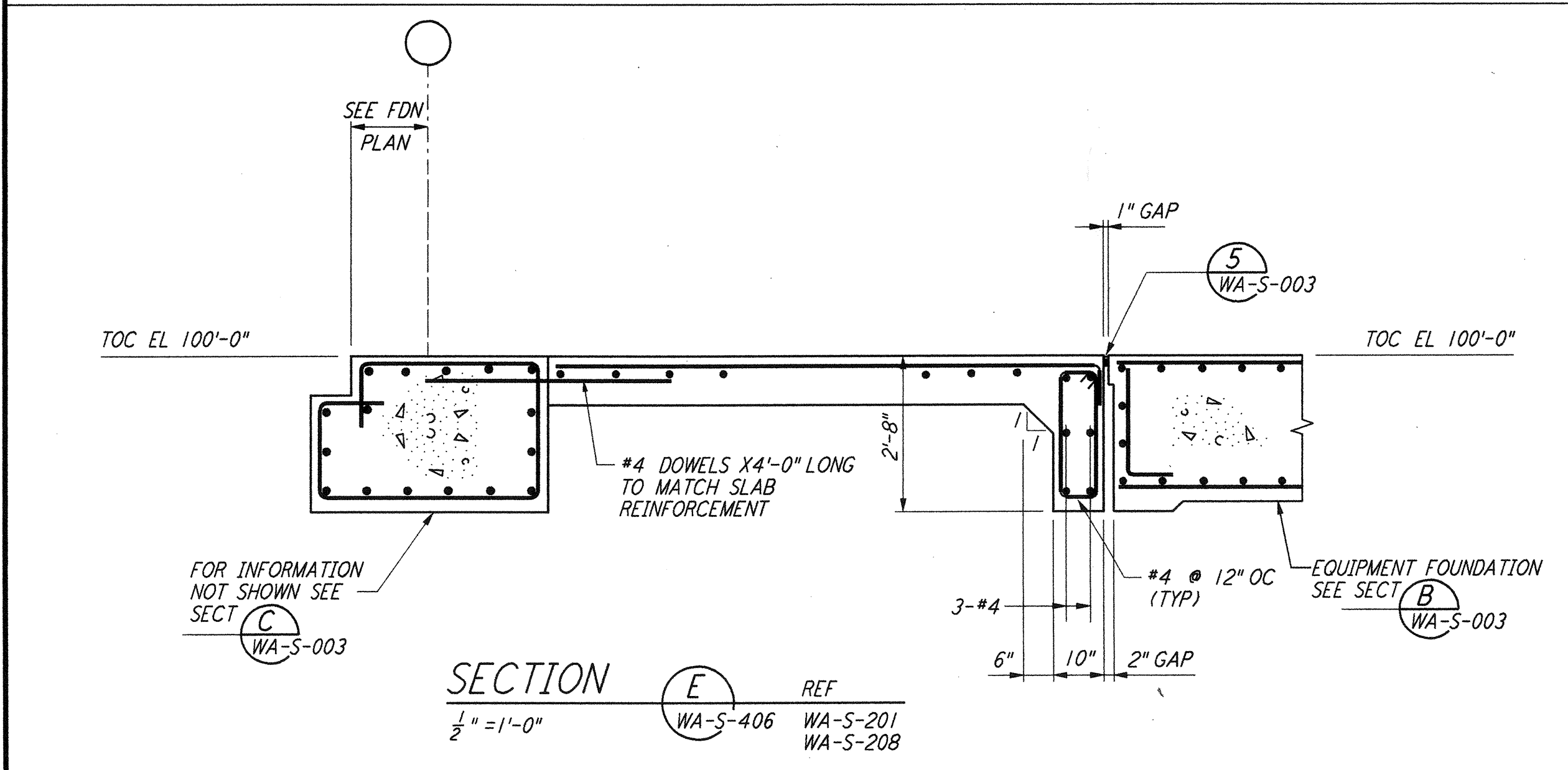
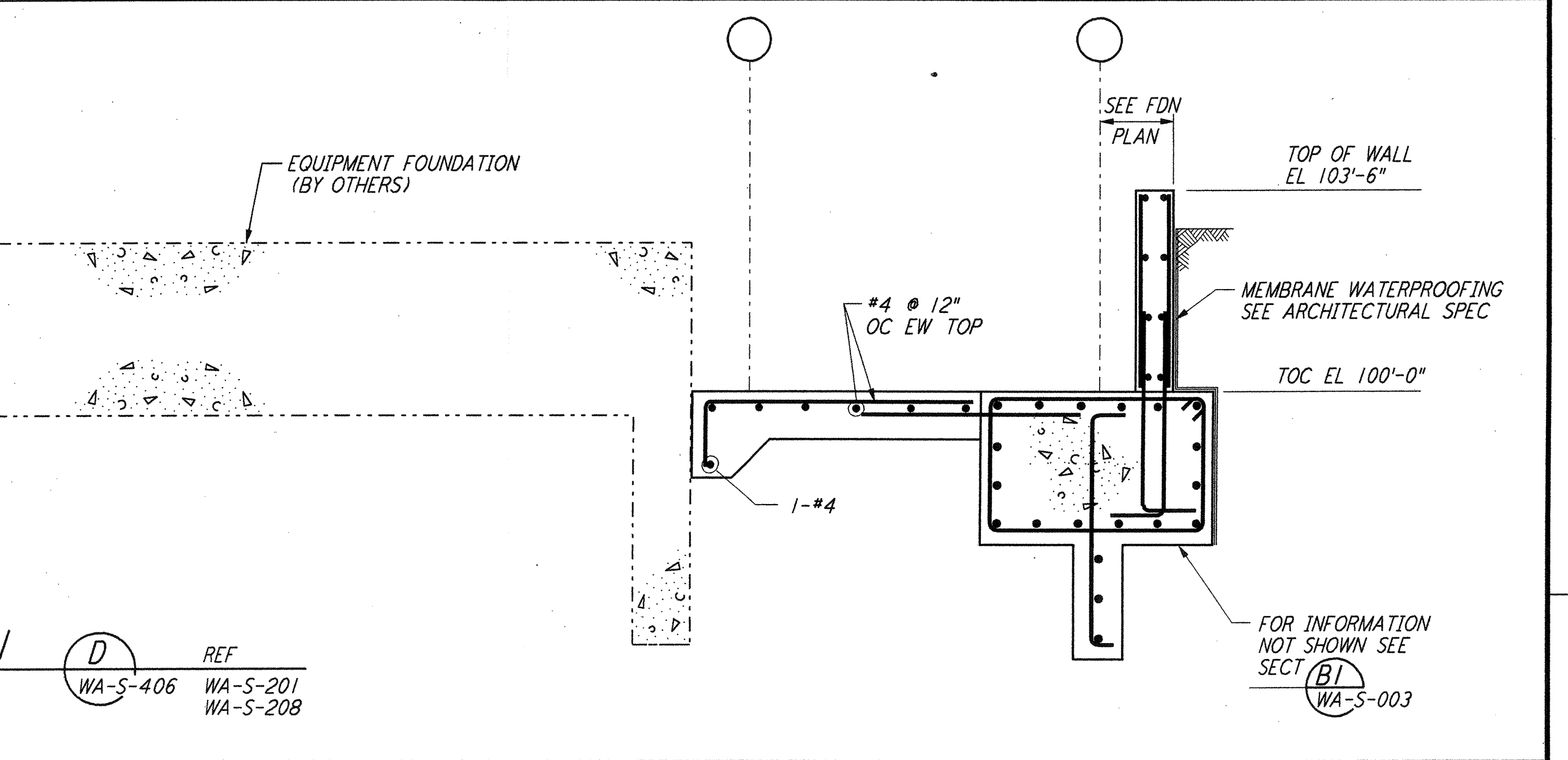
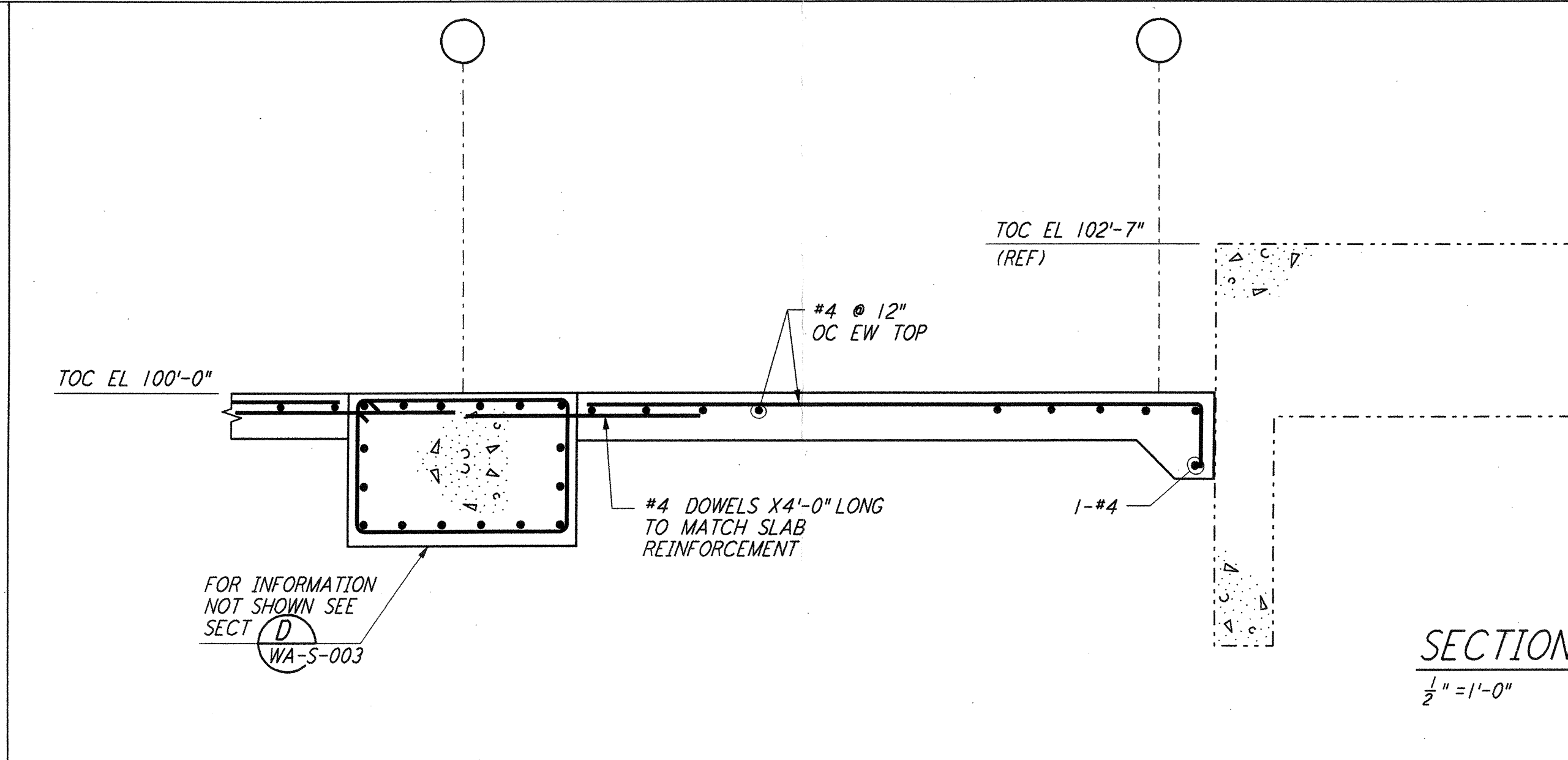
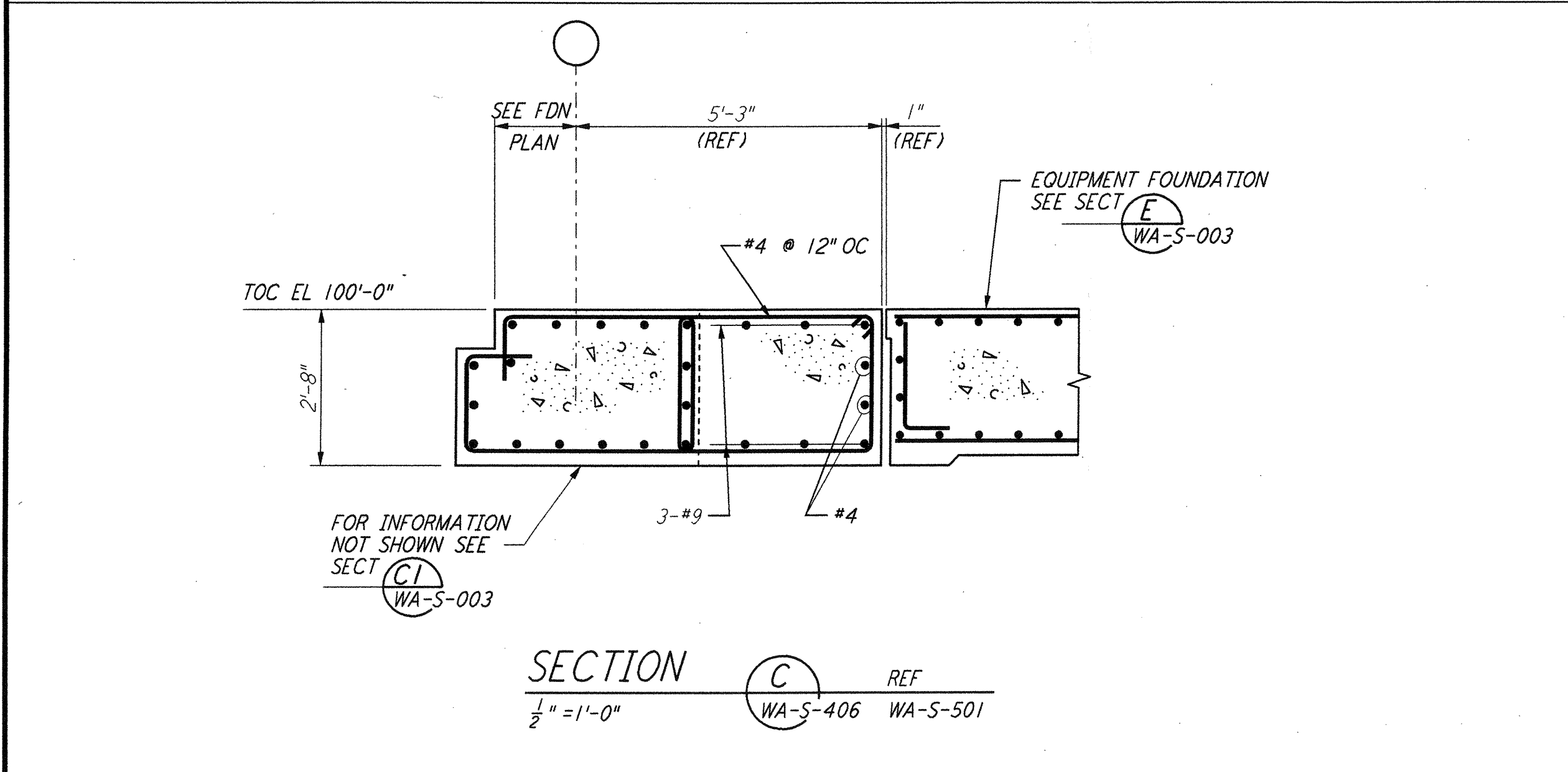
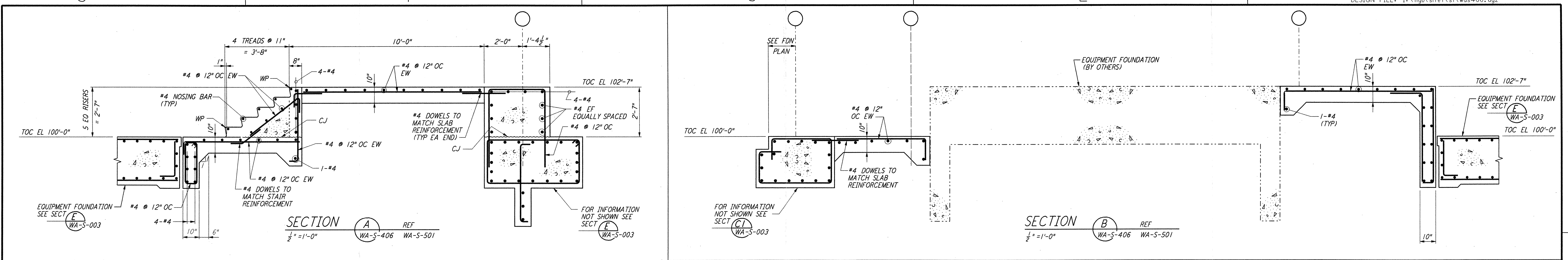


This document and the design it covers are the property of PARSONS. They are loaned only with the borrower's expressed written agreement that they will not be reproduced, copied, loaned, exhibited, or used in any other way, except by written consent from PARSONS to the borrower.



NO.	DATE	BY	CHKD	ENGR	PROJ	DESCRIPTION
1	6-15-98	CKT	HP	HP	PP	ISSUED FOR AS BUILT

ISSUED FOR CONSTRUCTION	
DRAWN	MCS 6-24-96
CHECKED	DDM 7-2-96
ENGINEER	BP 6-18-96
PROJ	MDW 7-9-96

AS-BUILT DRAWINGS

PARSONS
 100 WEST WALNUT STREET
 PASADENA, CALIFORNIA

LIGO
 CALIFORNIA INSTITUTE OF TECHNOLOGY
 MASSACHUSETTS INSTITUTE OF TECHNOLOGY

LIGO-D960320-01-0

LASER INTERFEROMETER
 GRAVITATIONAL-WAVE OBSERVATORY
 SITE NO. 1 - HANFORD, WASHINGTON

TITLE	SCALE	CONTRACT NUMBER	PROJECT NUMBER
STRUCTURAL FOUNDATION SECTIONS & DETAILS SHEET 2	AS NOTED	PP150969	8094
SHEET NUMBER	REVISIONS	WA-S-406	

Mon Jul 06 16:29:51 1998 C:\PLOT\Q\ES9-V96B2.DWG 52085 K:\V38B2\1406.plt LIGOWAF.BDR