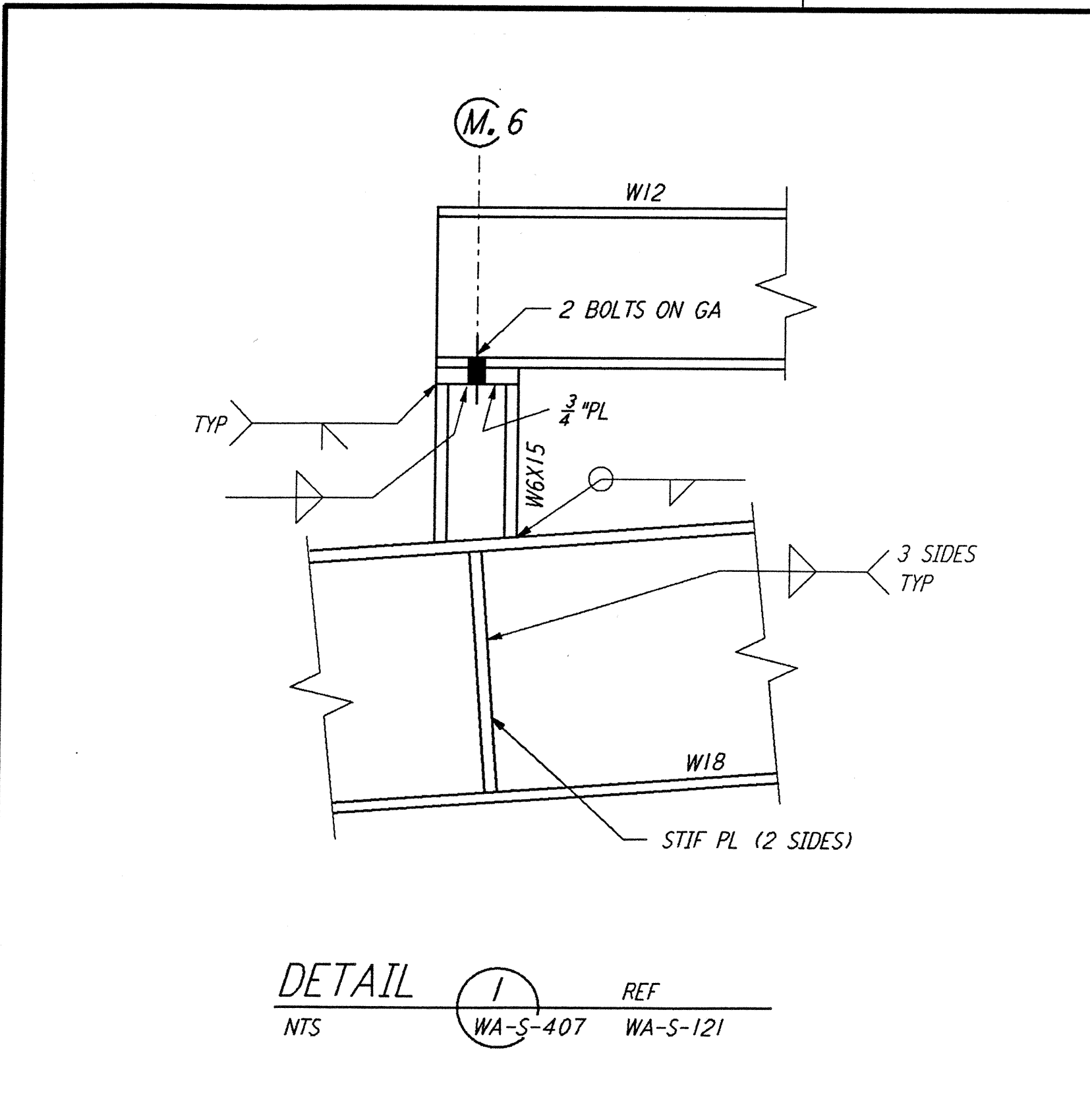
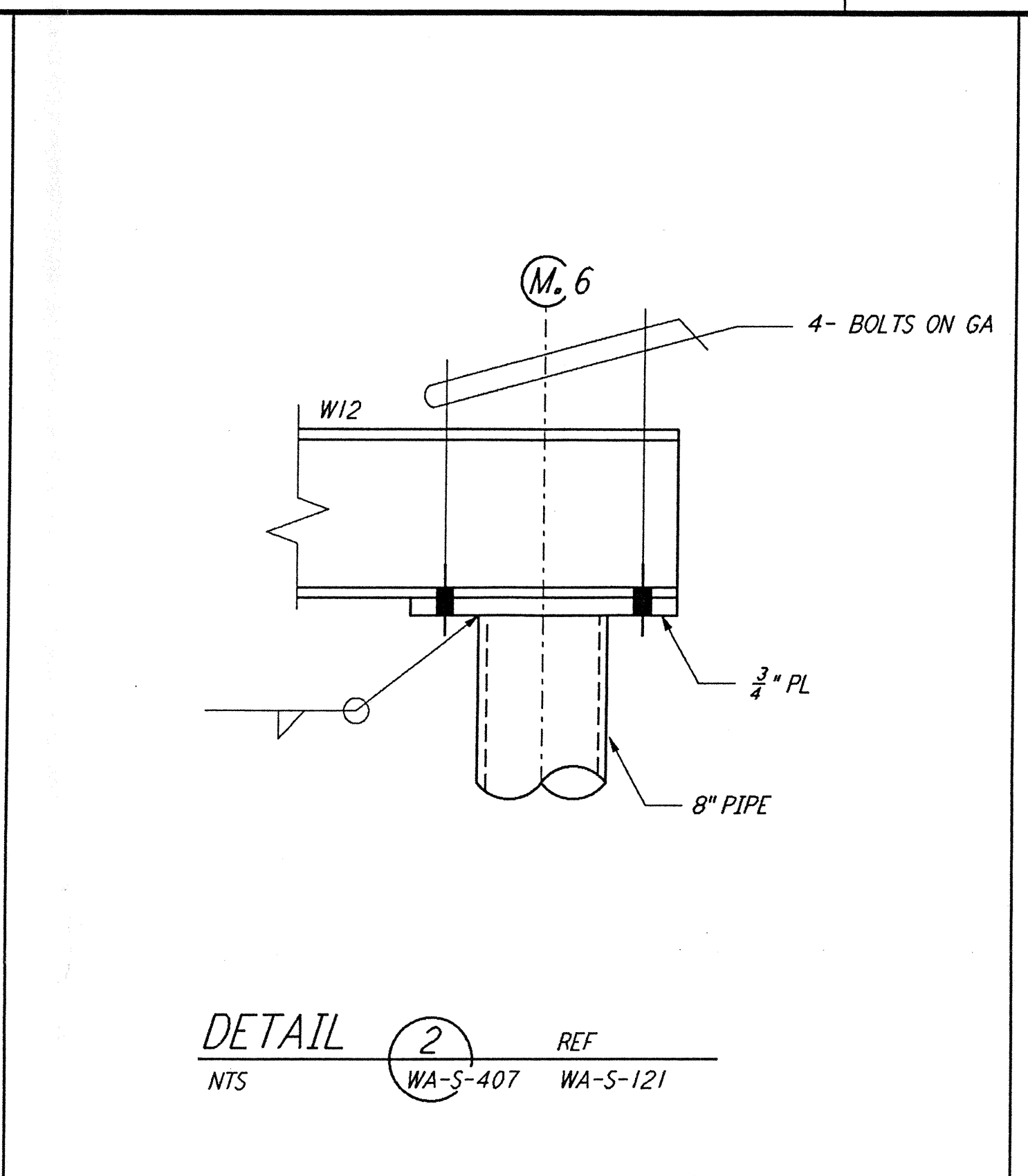


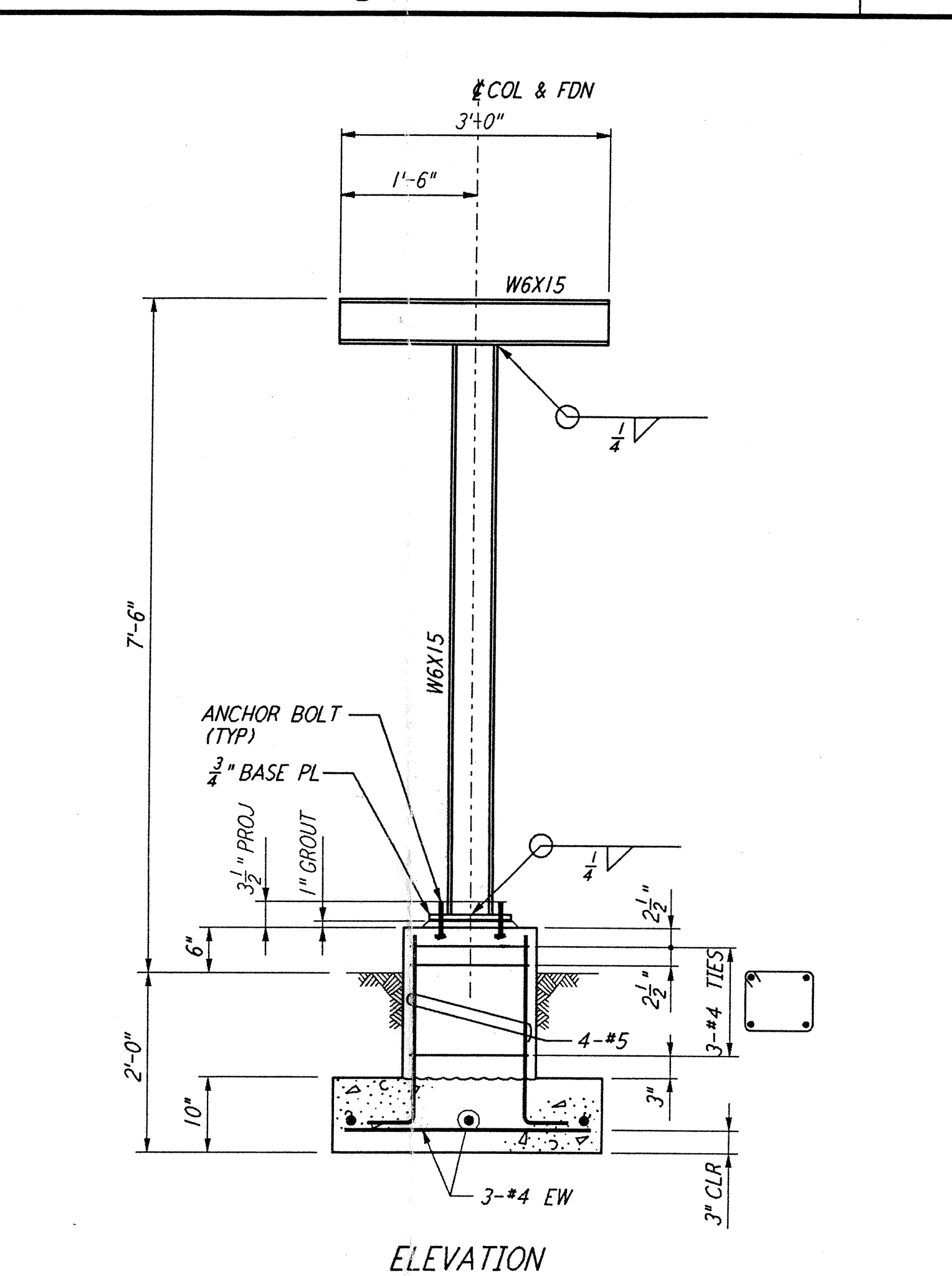
This document and the design it covers are the property of PARSONS. They are loaned only with the borrower's expressed written agreement that they will not be reproduced, copied, loaned, exhibited, or used in any other way, except by written consent from PARSONS to the borrower.



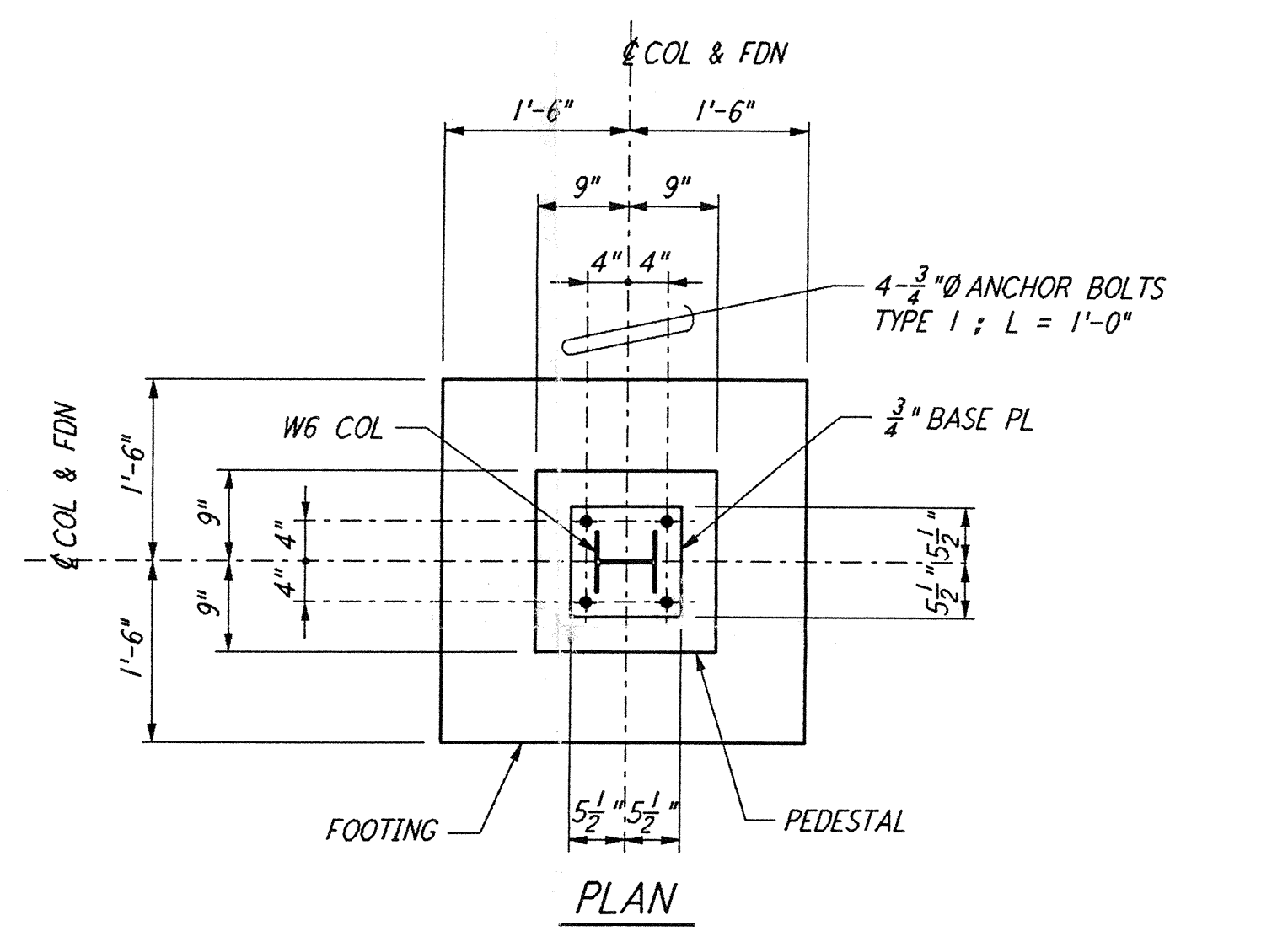
DETAIL 1 REF  
 NTS WA-S-407 WA-S-121



DETAIL 2 REF  
 NTS WA-S-407 WA-S-121

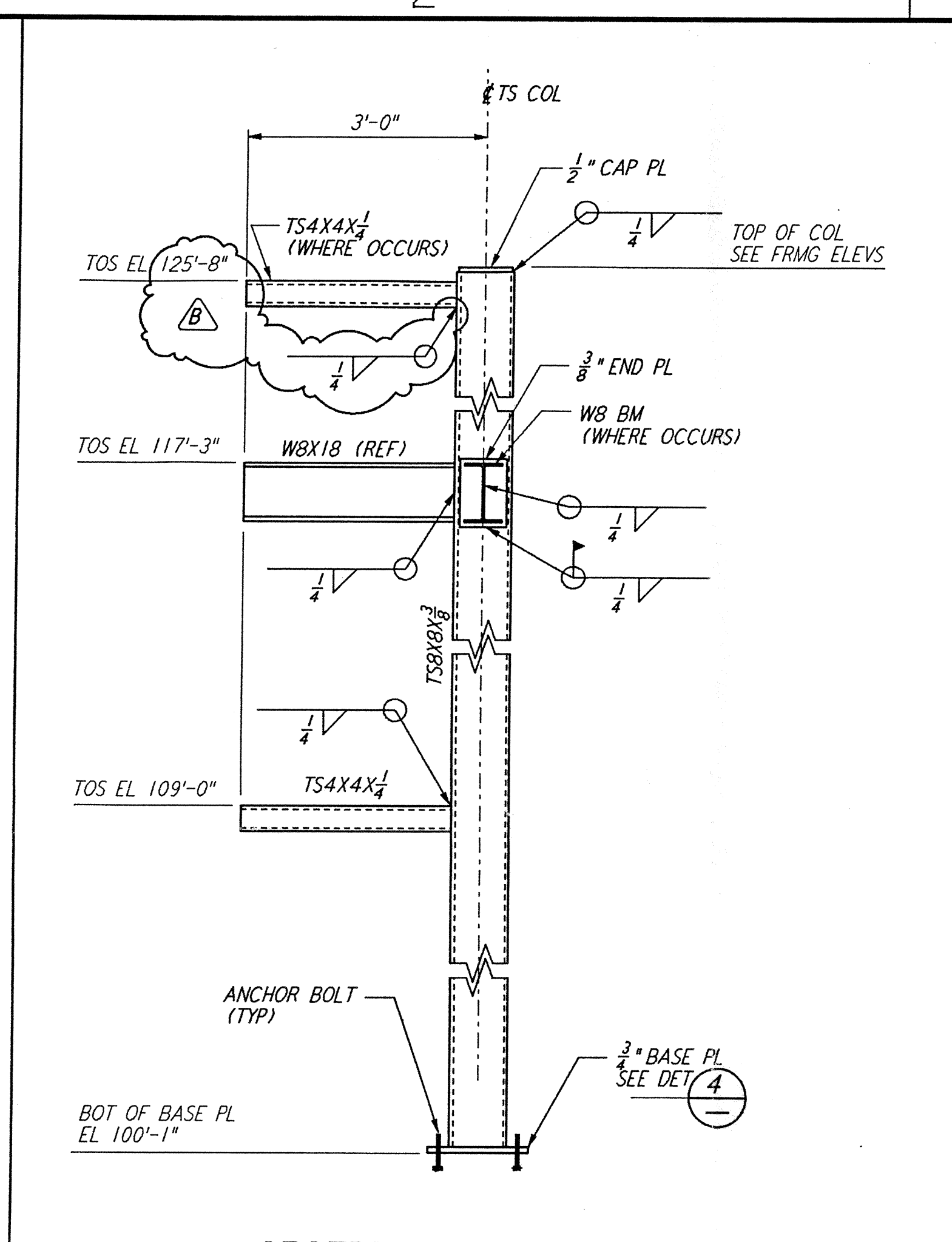


ELEVATION

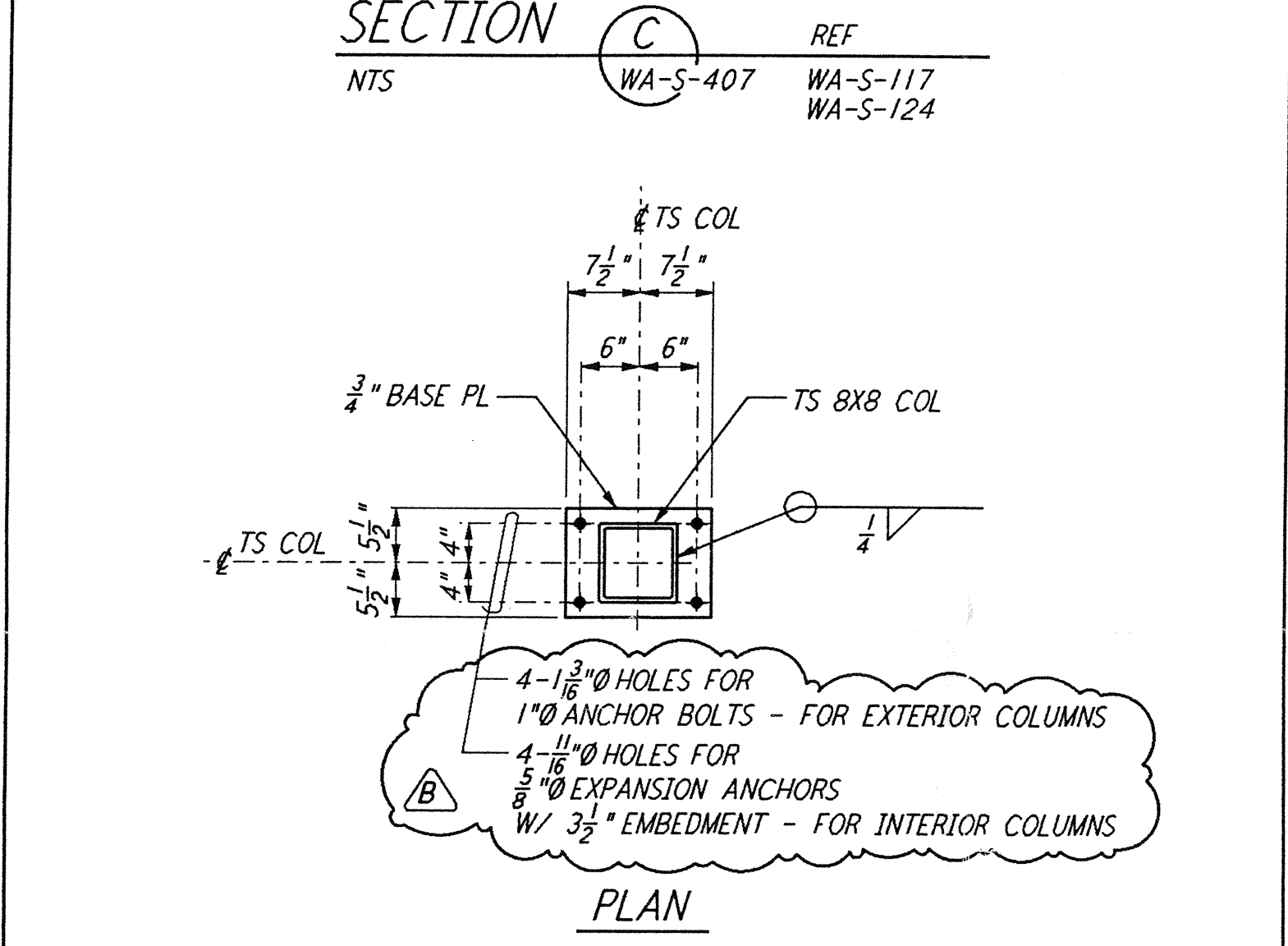


PLAN

DETAIL 3 REF  
 3/4" = 1'-0" WA-S-407 WA-H-116 WA-H-213 WA-H-214

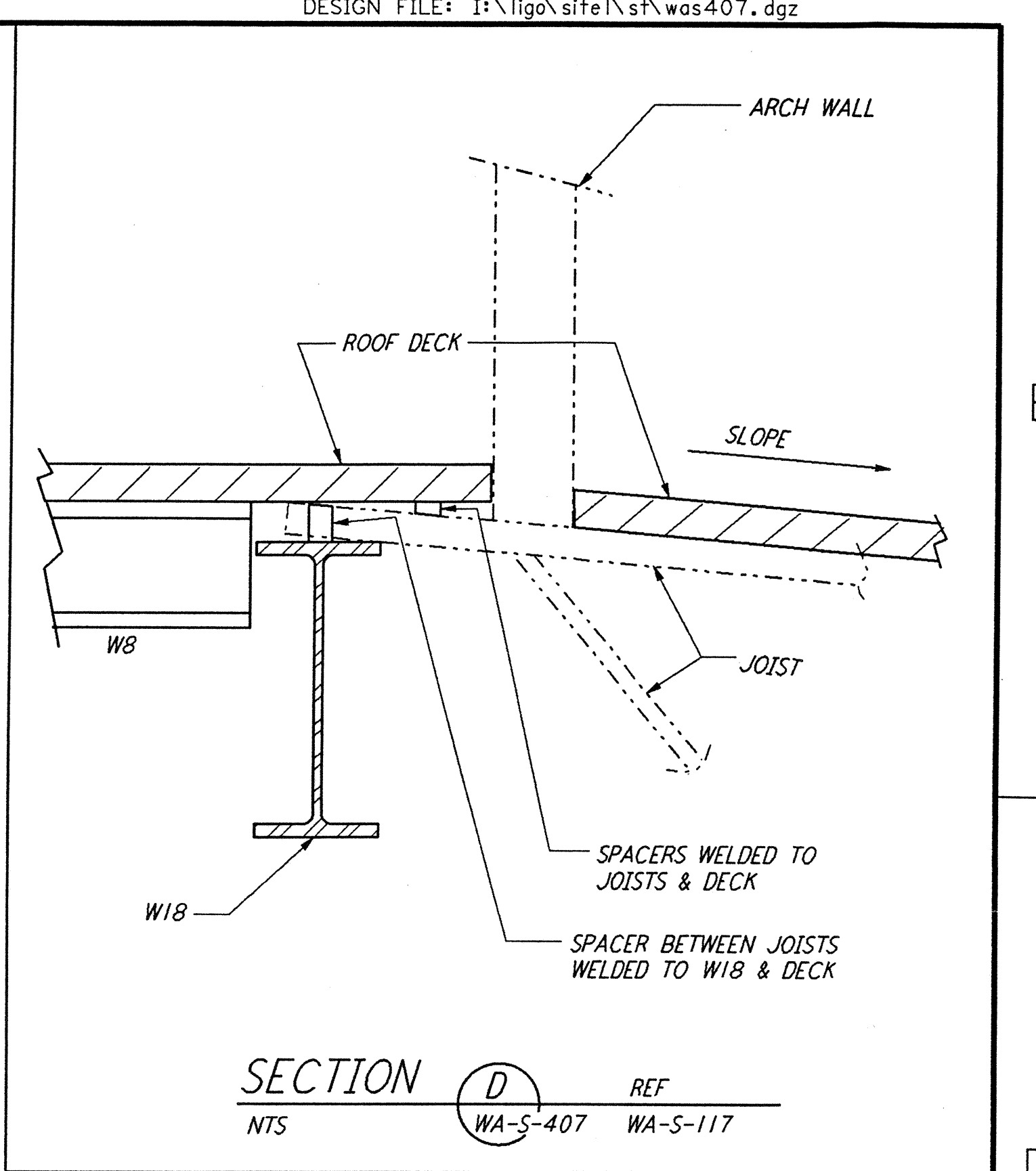


SECTION C REF  
 NTS WA-S-407 WA-S-117 WA-S-124

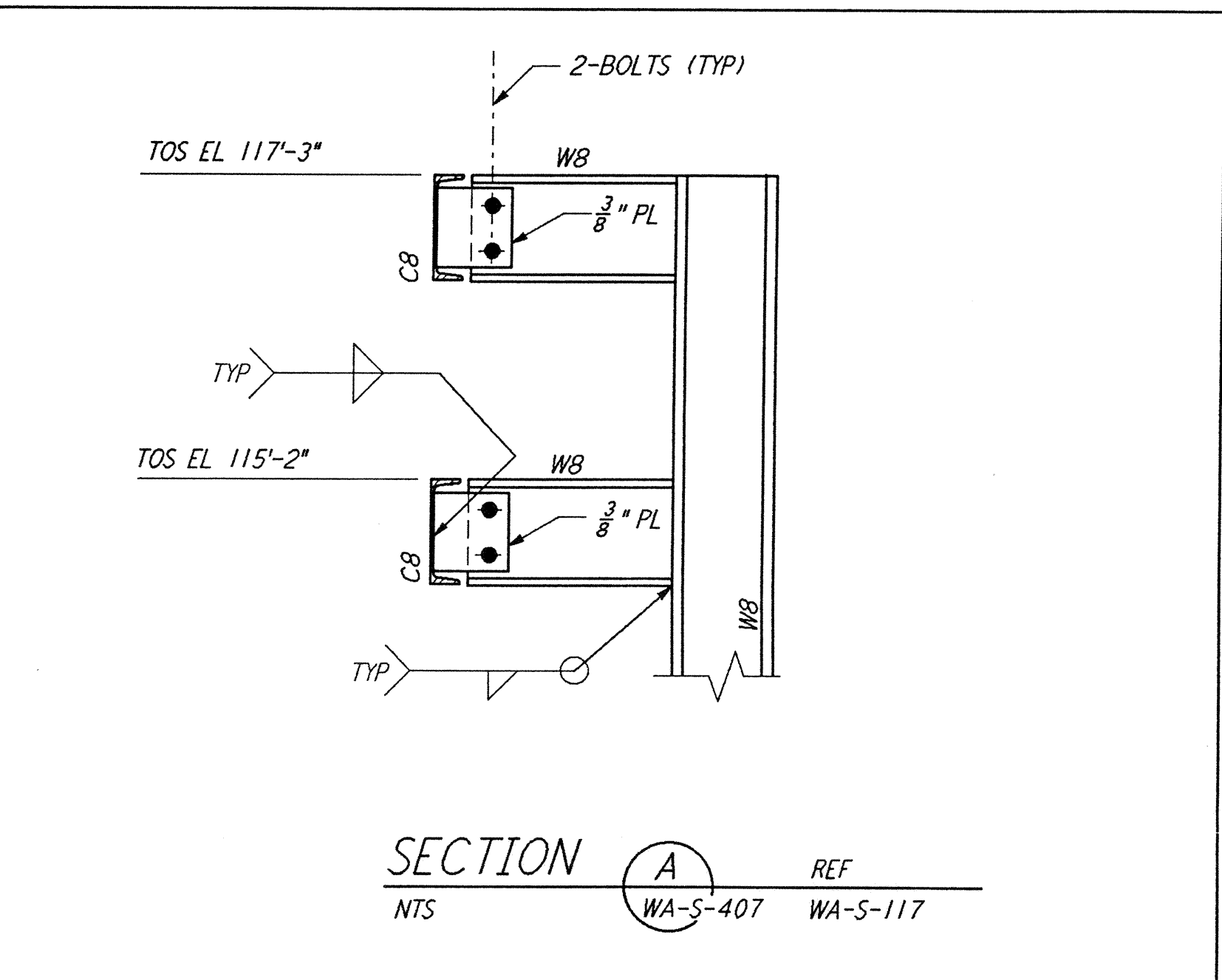


PLAN

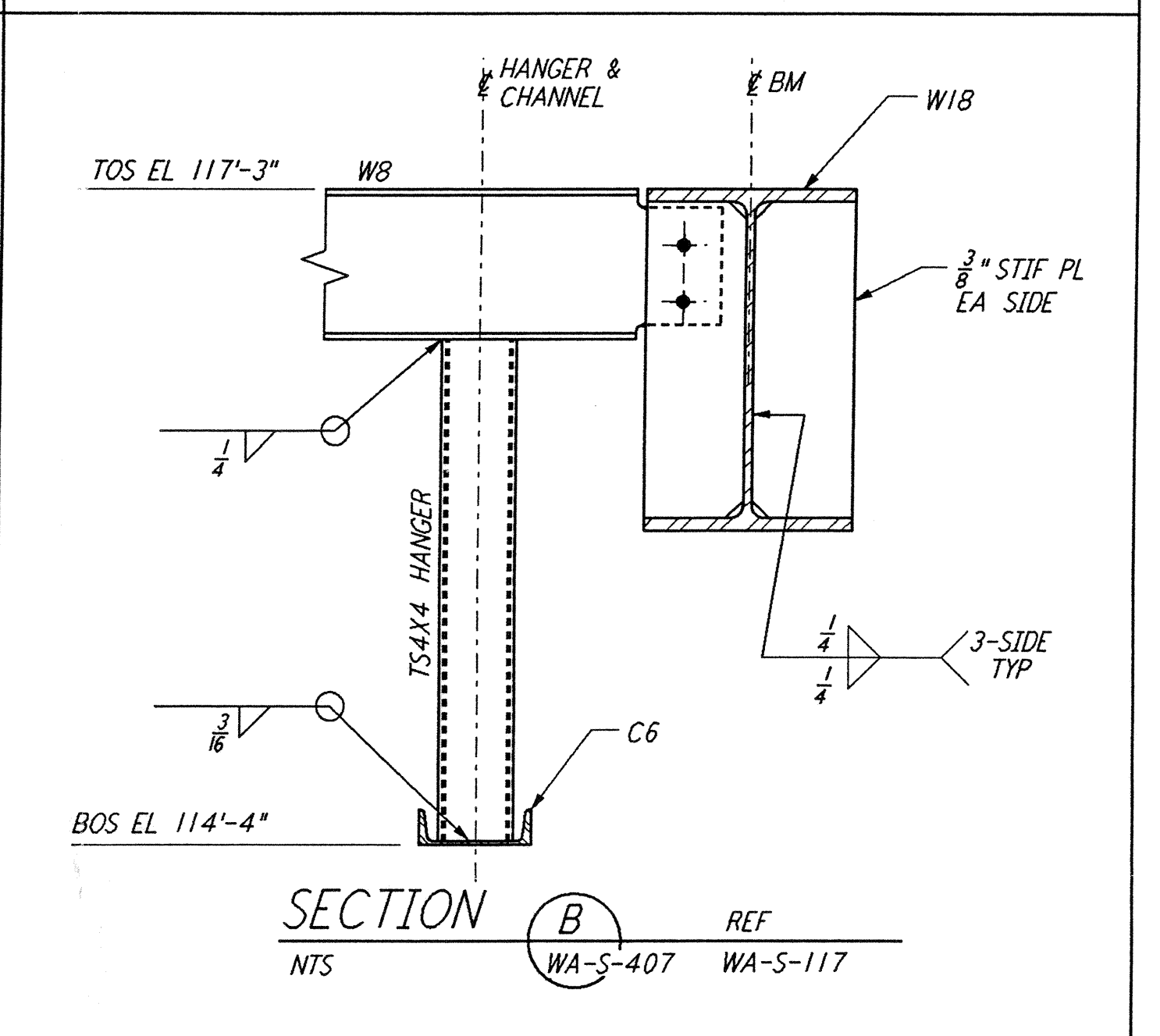
DETAIL 4 REF  
 3/4" = 1'-0"



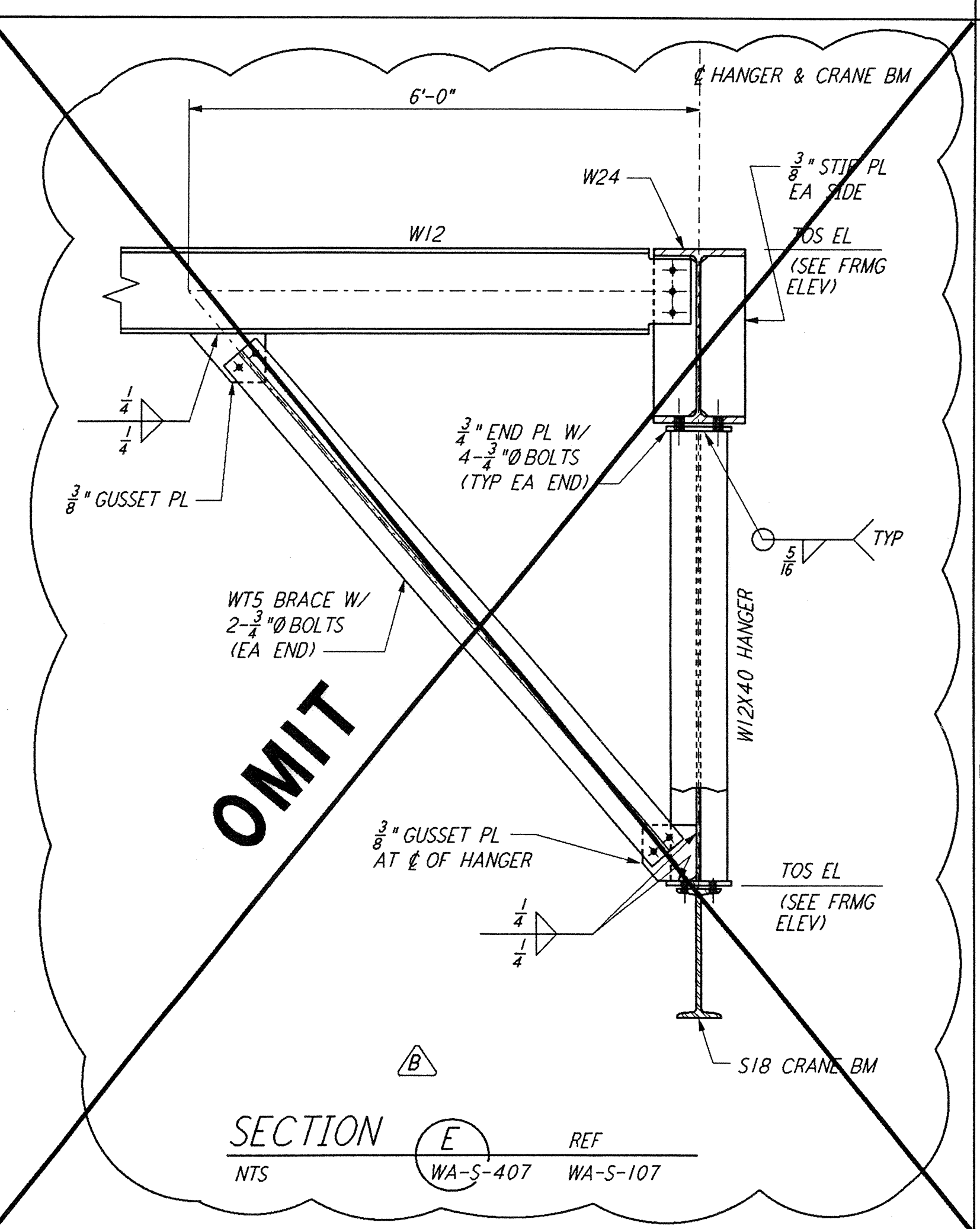
SECTION D REF  
 NTS WA-S-407 WA-S-117



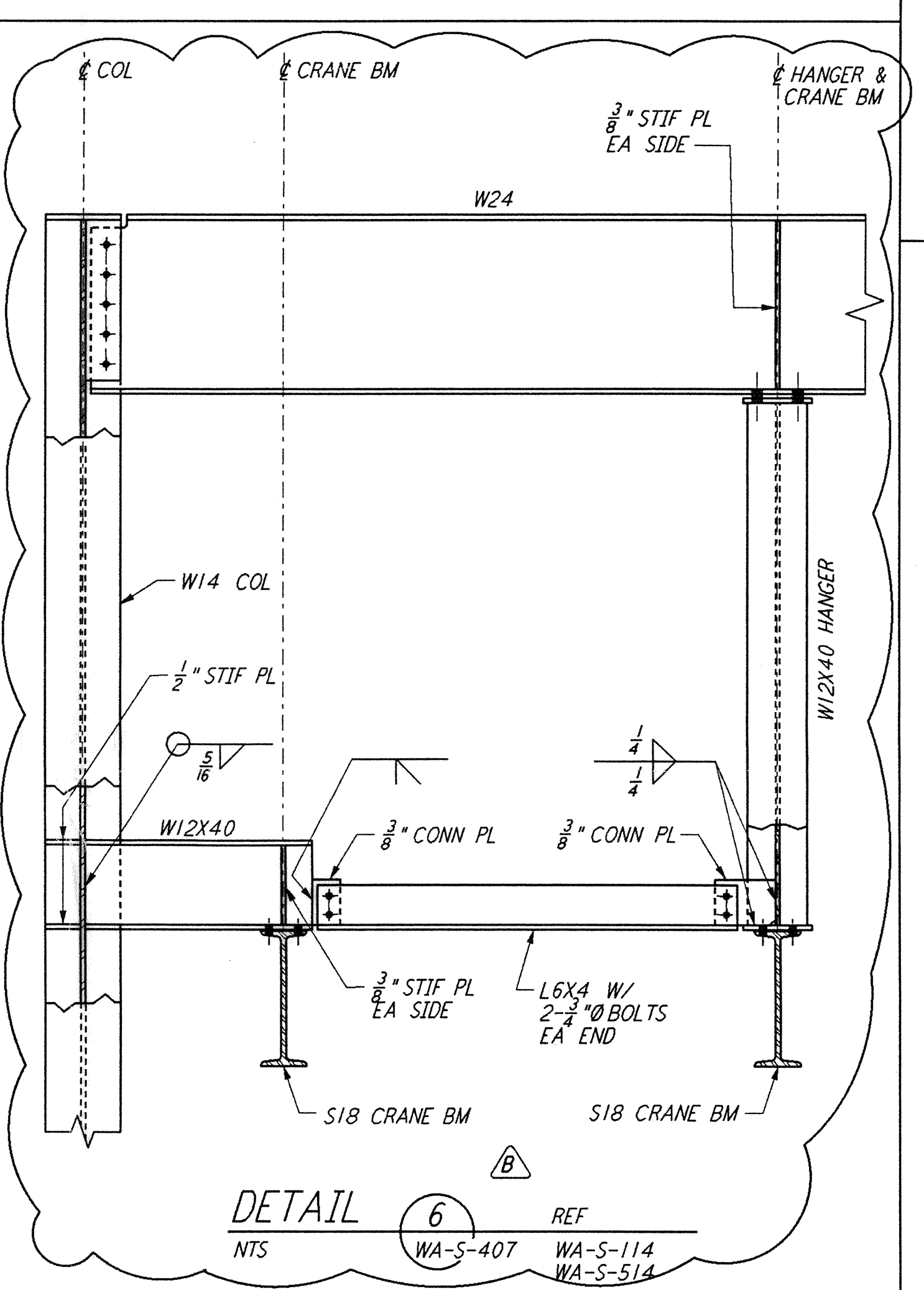
SECTION A REF  
 NTS WA-S-407 WA-S-117



SECTION B REF  
 NTS WA-S-407 WA-S-117



SECTION E REF  
 NTS WA-S-407 WA-S-107



DETAIL 6 REF  
 NTS WA-S-407 WA-S-114 WA-S-514

NO.	DATE	BY	CHKD	ENGR	PROJ	DESCRIPTION
B	5-22-96	MCS	DDM	BP	TDM	BID ADDENDUM #2
A	4-19-96	MCS	DDM	BP	TDM	FINAL DESIGN REVIEW & BID

DRAWN	MCS
CHECKED	
ENGINEER	
PROJ	

REFERENCES	

**PARSONS**  
 100 WEST WALNUT STREET  
 PASADENA, CALIFORNIA

**LIGO**  
 CALIFORNIA INSTITUTE OF TECHNOLOGY  
 MASSACHUSETTS INSTITUTE OF TECHNOLOGY

LASER INTERFEROMETER  
 GRAVITATIONAL-WAVE OBSERVATORY  
 SITE NO. 1 - HANFORD, WASHINGTON

TITLE	AS NOTED	CONTRACT NUMBER	PROJECT NUMBER
STRUCTURAL STEEL SECTIONS & DETAILS	PP150969	8094	
SHEET NUMBER		REVISIONS	
<b>WA-S-407</b>			

I:\ligo\site\st\was407.dgz  
 LIGO-D960321-B-0  
 JAVELIN\SUBFILES\ABBAS\KOTR\BPP