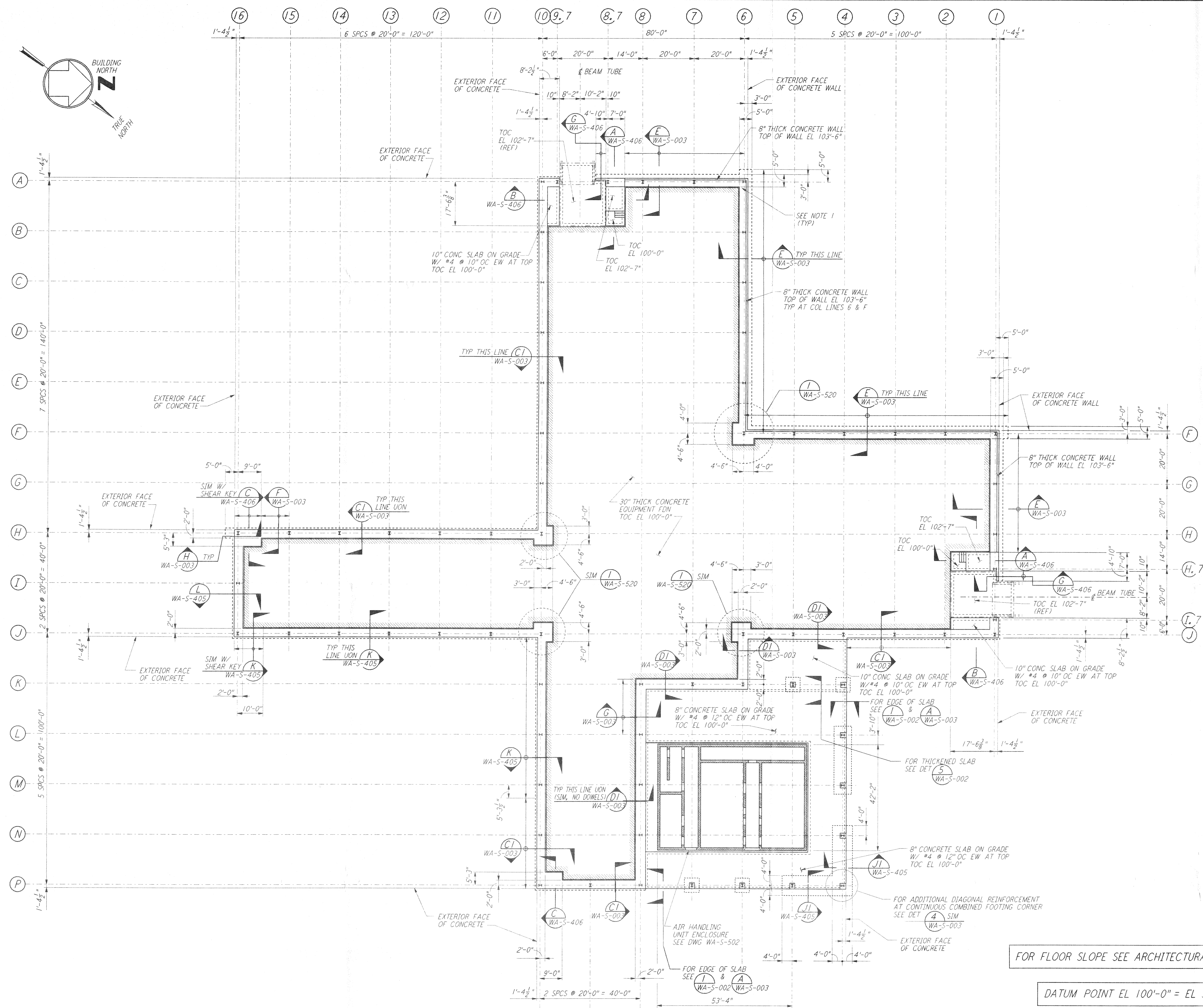


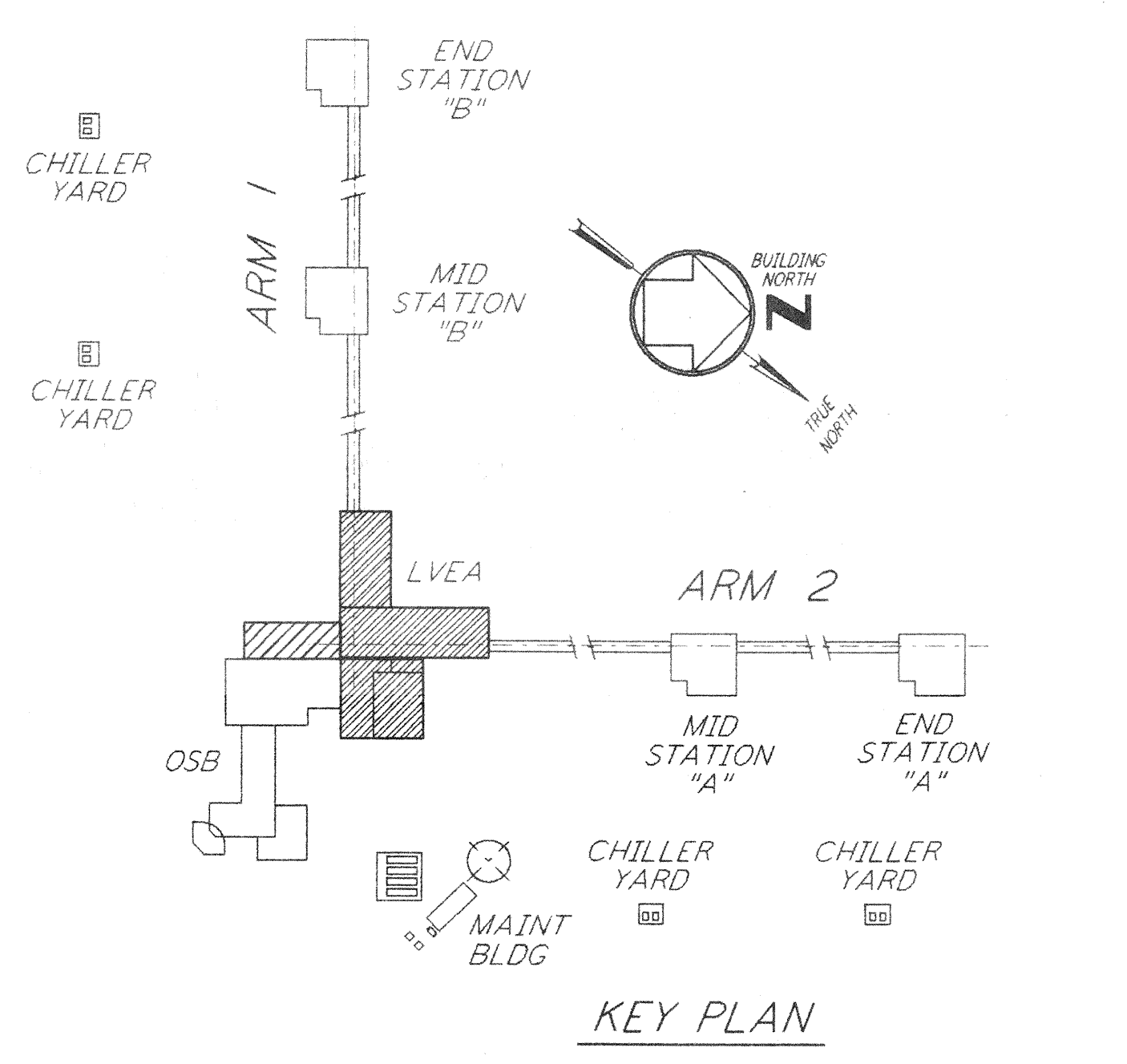
This document and the design it covers are the property of PARSONS. They are loaned only with the borrower's expressed written agreement that they will not be reproduced, copied, loaned, exhibited, or used in any other way, except by written consent from PARSONS to the borrower.



- EQUIPMENT FOUNDATION NOTES:**
1. CONCRETE FOR EQUIPMENT FOUNDATION SHALL BE PLACED IN MULTIPLE LIFTS OF ONE (1) FOOT OR MORE WITH A FINAL LIFT OF SIX (6) INCHES.
 2. FIBERMESH FIBERS (MANUFACTURED BY FIBERMESH, CHATTANOOGA, TENNESSEE OR EQUAL) SHALL BE MIXED WITH CONCRETE FOR THE FINAL LIFT OF SIX (6) INCHES FOR THE EQUIPMENT FOUNDATION.
 3. CONCRETE SURFACE SHALL BE CLEANED, RAKED AND ROUGHENED TO DEVELOPE BOND BETWEEN CONCRETE LAYERS.
 4. TOP REINFORCEMENT OF EQUIPMENT FOUNDATION SHALL HAVE 1/2" CLEAR COVER. CONTRACTOR SHALL TAKE ALL THE NECESSARY PRECAUTIONS TO MAINTAIN UNIFORM COVER.
 5. CONTRACTOR SHALL USE FOUR (4) SETS OF EQUIPMENTS AND CREWS TO POUR LVEA EQUIPMENT FOUNDATION FROM FOUR (4) ENDS SIMULTANEOUSLY. CONTRACTOR SHALL HAVE SPARE PUMPS TO ENSURE UNINTERRUPTED PLACEMENT OF CONCRETE.
 6. EQUIPMENT FOUNDATION SHALL BE CURED BY MEMBRANE CURING METHOD AS PER SPECIFICATIONS.

- NOTES:**
1. FOR ADDITIONAL REINFORCEMENT AT 90° FOUNDATION DIRECTION CHANGES IN STRIP FOOTING SEE DETAIL (A) SIM.
 2. FOR GENERAL NOTES, ABBREVIATIONS & SYMBOLS SEE DRAWING WA-S-001.
 3. FOR SLAB ON GRADE DETAILS SEE DRAWING WA-S-002.
 4. FOR BASE ANGLE AT EDGE OF SLAB OR TOP OF 8" CONCRETE WALL, SEE FRAMING ELEVATIONS AND DETAIL (A) WA-S-003.
 5. FOR FOUNDATION SCHEDULE AND DETAILS SEE DRAWING WA-S-519.

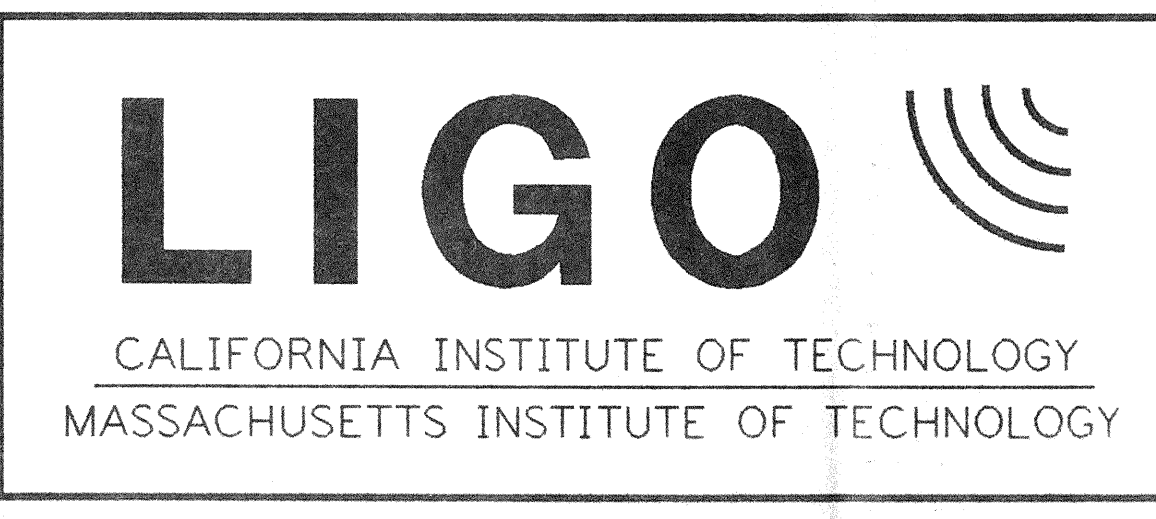
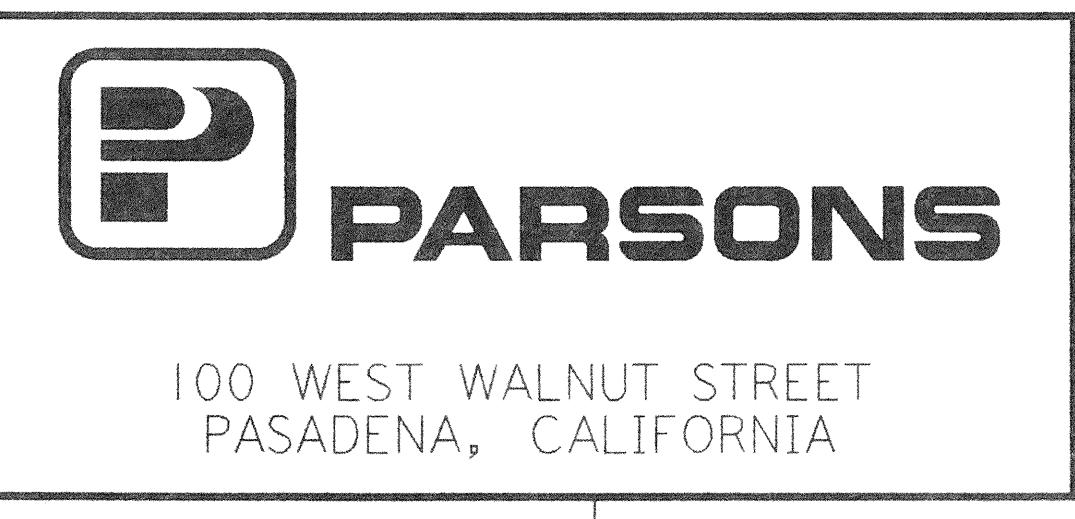
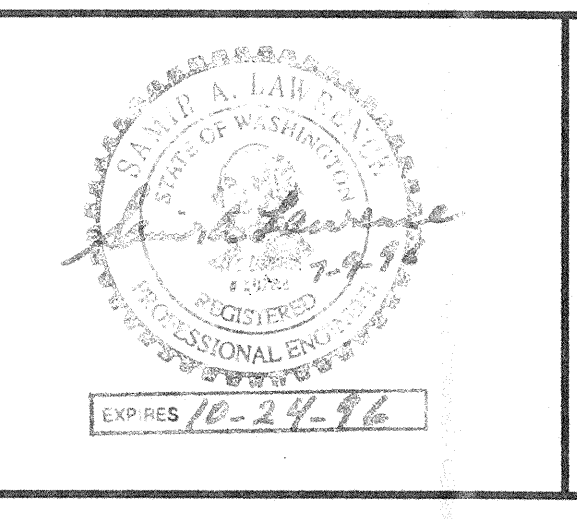
FOR FLOOR SLOPE SEE ARCHITECTURAL DRAWINGS
 DATUM POINT EL 100'-0" = EL 531.11'



CORNER STATION FOUNDATION PLAN
 1/8" = 1'-0"

NO.	DATE	BY	CHKD	ENGR	PROJ	DESCRIPTION

ISSUED FOR CONSTRUCTION		
DRAWN	MCS	6-24-96
CHECKED	MP	7-2-96
ENGINEER	MP	6-28-96
PROJ	MP	7-13-96



LASER INTERFEROMETER GRAVITATIONAL-WAVE OBSERVATORY
 SITE NO. 1 - HANFORD, WASHINGTON

TITLE	STRUCTURAL CORNER STATION LVEA FOUNDATION PLAN	AS NOTED	PP150969	8094
SHEET NUMBER	WA-S-501	PROJECT NUMBER		

LIGO-D980322-000