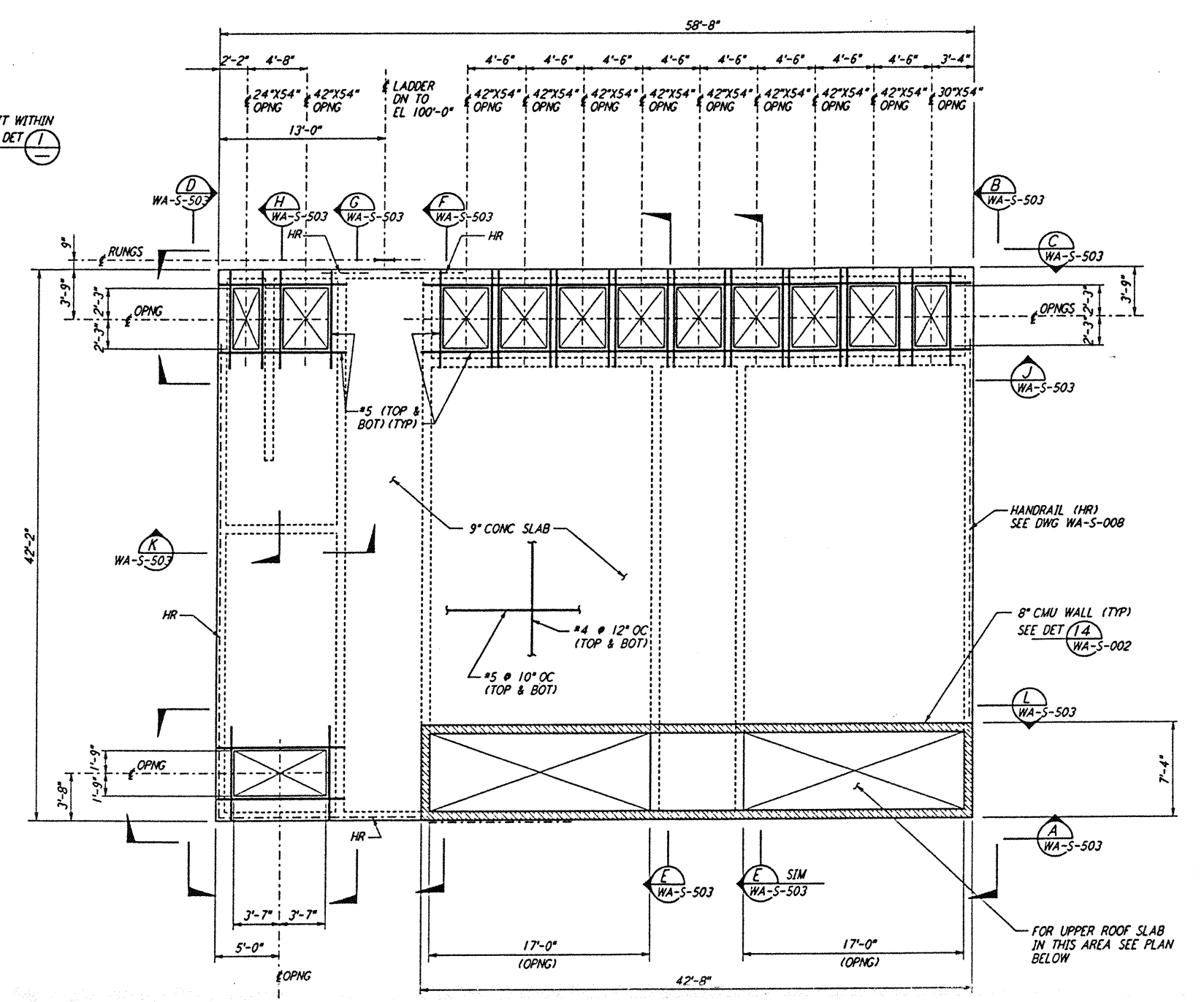
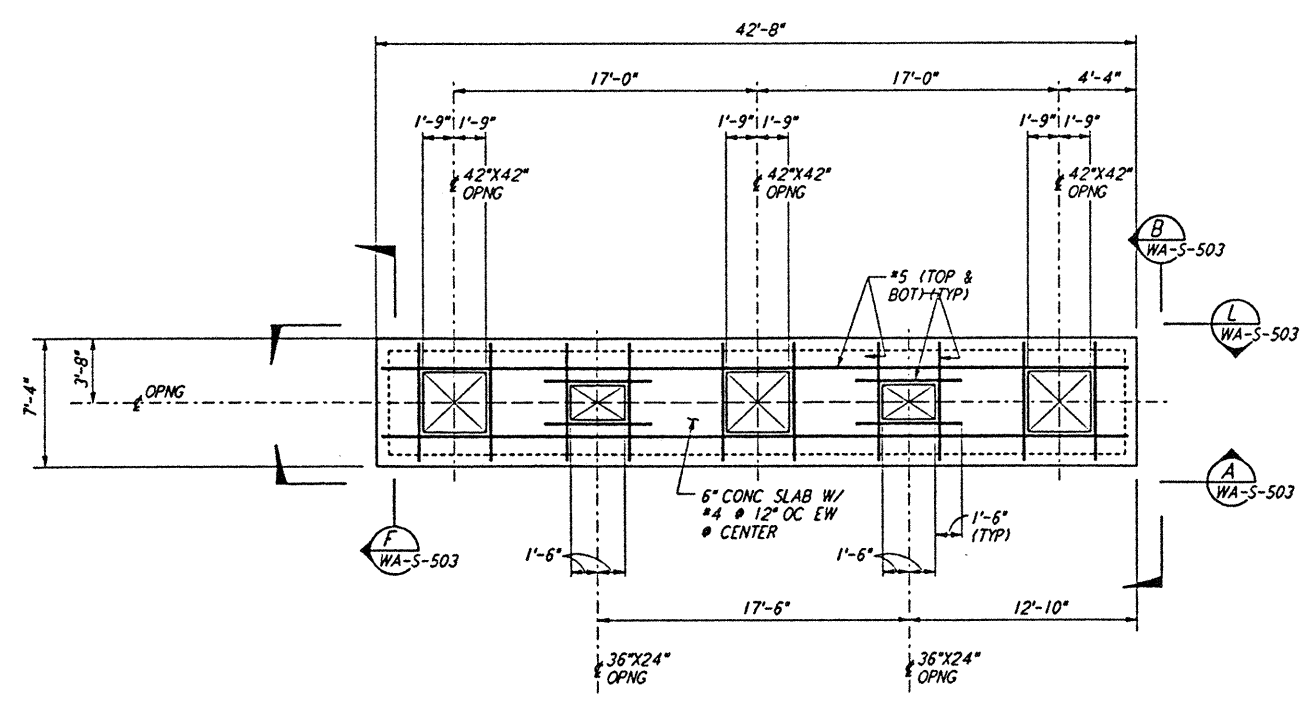


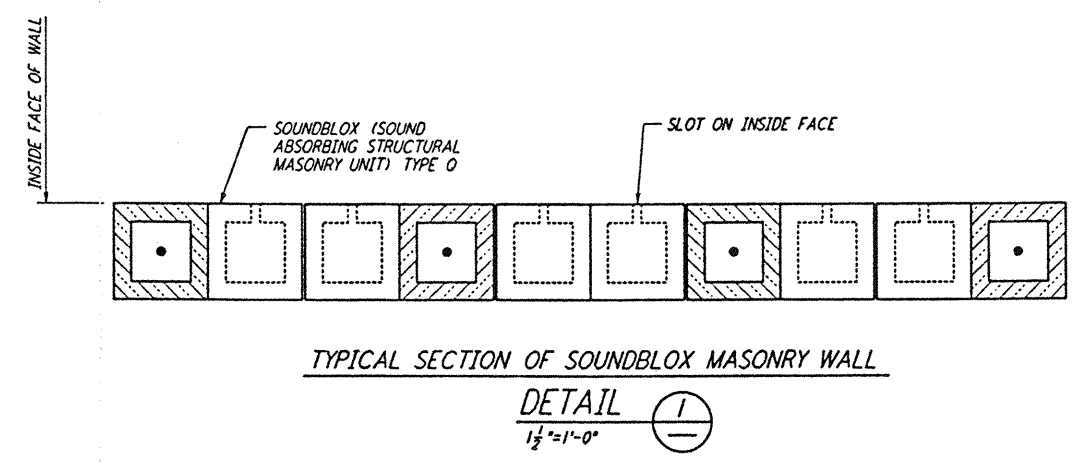
**AIR HANDLING UNIT STRUCTURE
 FOUNDATION PLAN**
 $\frac{1}{8}'' = 1'-0''$



**AIR HANDLING UNIT STRUCTURE
 LOWER CONCRETE ROOF SLAB PLAN**
 $\frac{1}{8}'' = 1'-0''$
 TOC EL 110'-7"

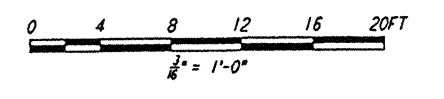


**AIR HANDLING UNIT STRUCTURE
 UPPER CONCRETE ROOF SLAB PLAN**
 $\frac{1}{8}'' = 1'-0''$
 TOC EL 115'-2"



**TYPICAL SECTION OF SOUNDBLOX MASONRY WALL
 DETAIL**
 $\frac{1}{4}'' = 1'-0''$

- NOTES:**
- FOR GENERAL NOTES, ABBREVIATIONS & SYMBOLS SEE DRAWING WA-S-001.
 - CONTRACTOR SHALL ADJUST LOCATION AND SIZE OF EQUIPMENT PADS TO SUIT VENDOR EQUIPMENTS.



This document and the design it covers are the property of PARSONS. They are loaned only with the borrower's expressed written agreement that they will not be reproduced, copied, loaned, exhibited, or used in any other way, except by written consent from PARSONS to the borrower.

This document and the design it covers are the property of PARSONS. They are loaned only with the borrower's expressed written agreement that they will not be reproduced, copied, loaned, exhibited, or used in any other way, except by written consent from PARSONS to the borrower.

NO.	DATE	BY	CHKD	ENGR	PROJ	DESCRIPTION
A	4-19-96	MCS	DP	HP	PTOM	FINAL DESIGN REVIEW & BID

DRAWN	MCS
CHECKED	
ENGINEER	
PROJ	

DRAWING NO.	DESCRIPTION

PARSONS
 100 WEST WALNUT STREET
 PASADENA, CALIFORNIA

LIGO
 CALIFORNIA INSTITUTE OF TECHNOLOGY
 MASSACHUSETTS INSTITUTE OF TECHNOLOGY

LASER INTERFEROMETER
 GRAVITATIONAL-WAVE OBSERVATORY
 SITE NO. 1 - HANFORD, WASHINGTON

STRUCTURAL
 CORNER STATION
 AIR HANDLING UNIT
 ENCLOSURE PLAN

AS NOTED PPI 50969 8094
WA-S-502