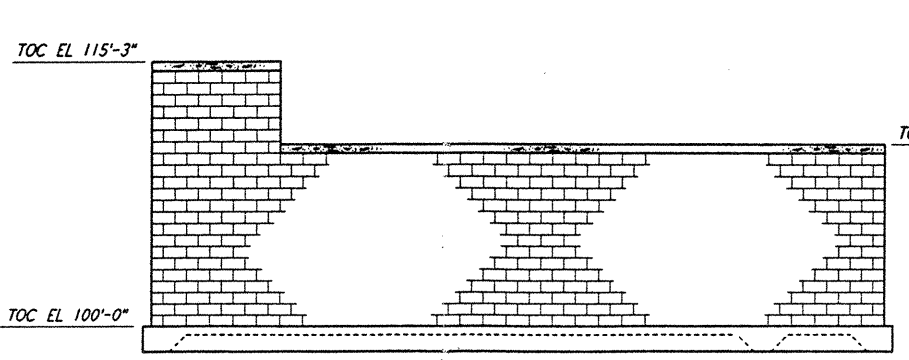
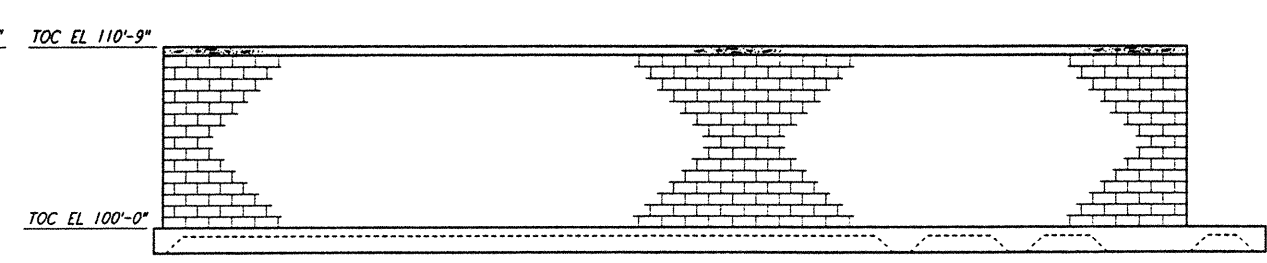


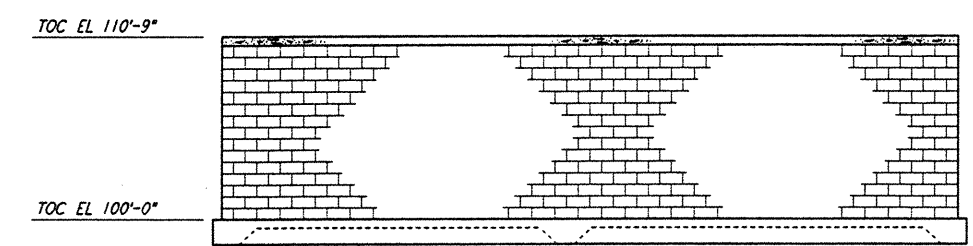
ELEVATION A REF
 $\frac{3}{8}'' = 1'-0''$
 WA-S-503 WA-S-502



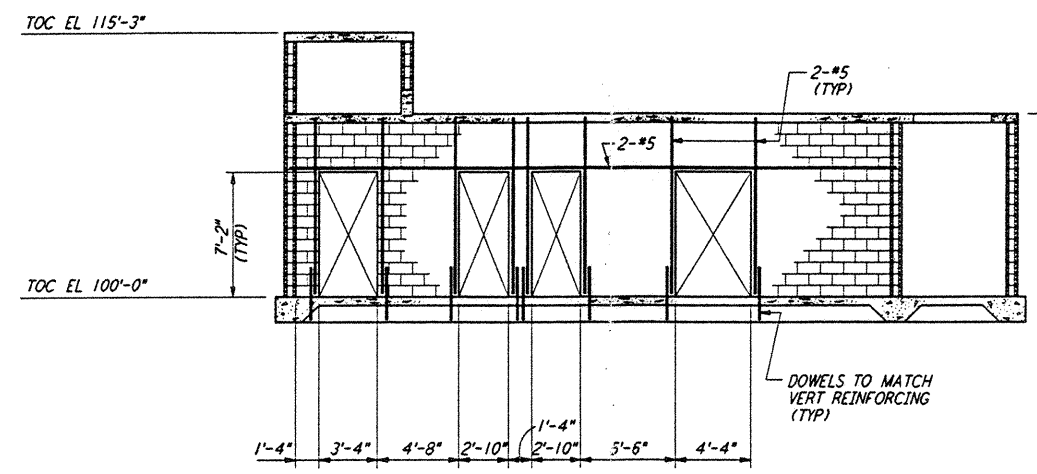
ELEVATION B REF
 $\frac{3}{8}'' = 1'-0''$
 WA-S-503 WA-S-502



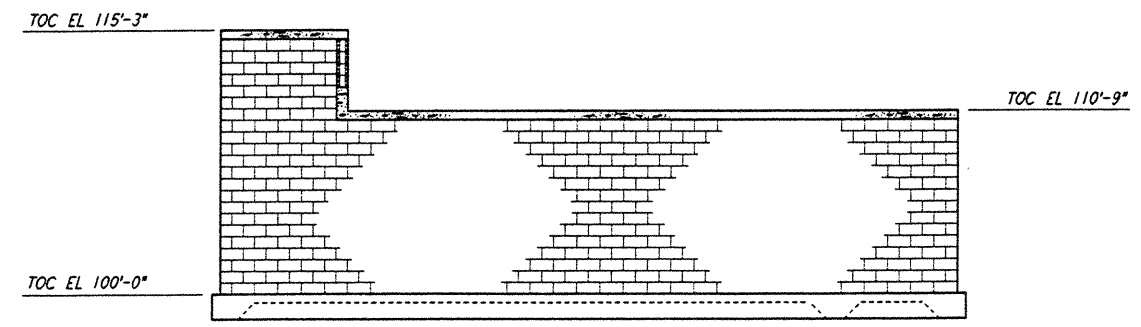
ELEVATION C REF
 $\frac{3}{8}'' = 1'-0''$
 WA-S-503 WA-S-502



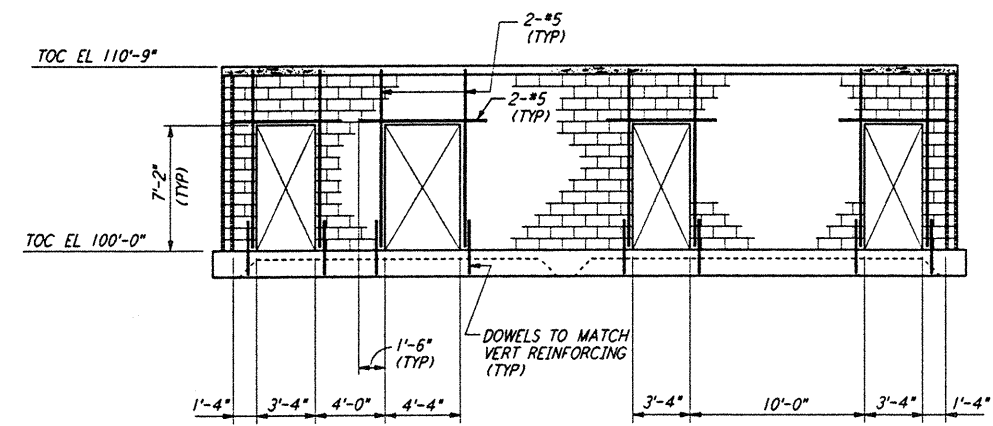
ELEVATION D REF
 $\frac{3}{8}'' = 1'-0''$
 WA-S-503 WA-S-502



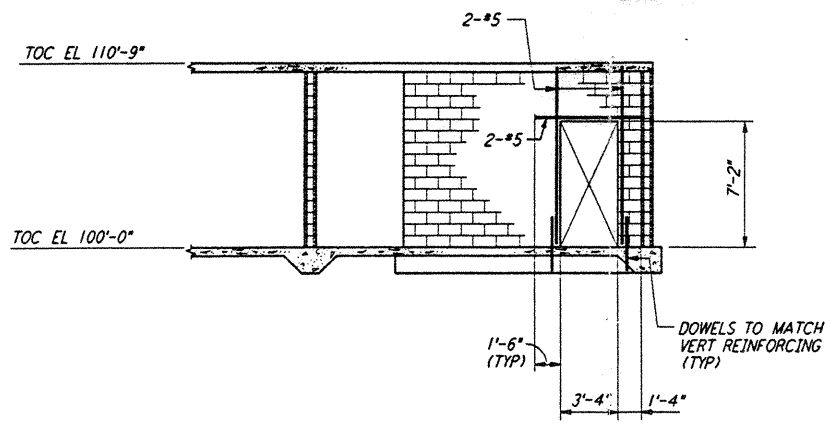
SECTION E REF
 $\frac{3}{8}'' = 1'-0''$
 WA-S-503 WA-S-502



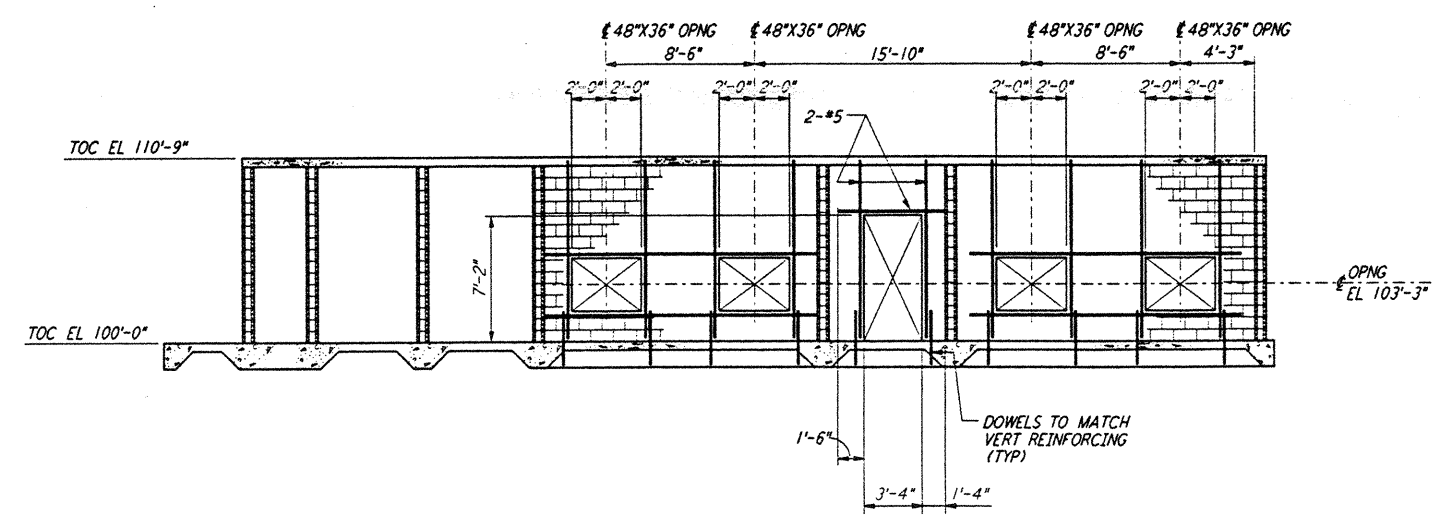
SECTION F REF
 $\frac{3}{8}'' = 1'-0''$
 WA-S-503 WA-S-502



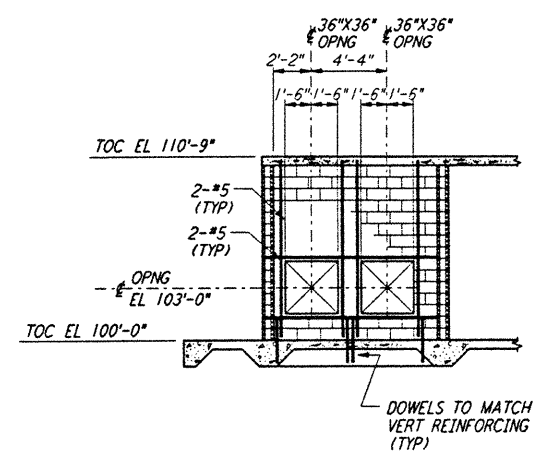
SECTION G REF
 $\frac{3}{8}'' = 1'-0''$
 WA-S-503 WA-S-502



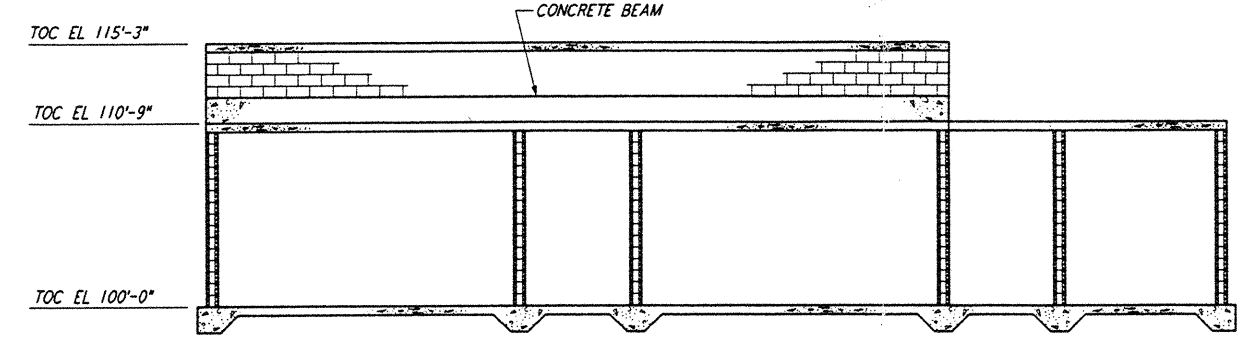
SECTION H REF
 $\frac{3}{8}'' = 1'-0''$
 WA-S-503 WA-S-502



SECTION J REF
 $\frac{3}{8}'' = 1'-0''$
 WA-S-503 WA-S-502

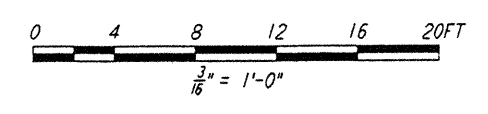


SECTION K REF
 $\frac{3}{8}'' = 1'-0''$
 WA-S-503 WA-S-502



SECTION L REF
 $\frac{3}{8}'' = 1'-0''$
 WA-S-503 WA-S-502

NOTES:
 1. FOR GENERAL NOTES, ABBREVIATIONS & SYMBOLS
 SEE DRAWING WA-S-001.



This document and the design it covers are the property of PARSONS. They are loaned only with the borrower's expressed written agreement that they will not be reproduced, copied, loaned, exhibited, or used in any other way, except by written consent from PARSONS to the borrower.

NO.	DATE	BY	CHKD	ENGR	PROJ	DESCRIPTION

ISSUED FOR CONSTRUCTION			
DRAWN	MCS	6-24-96	
CHECKED	BGM	7-2-96	
ENGINEER	M	6-28-96	
PROJ	JLL	7-19-96	



PARSONS
 100 WEST WALNUT STREET
 PASADENA, CALIFORNIA

LIGO
 CALIFORNIA INSTITUTE OF TECHNOLOGY
 MASSACHUSETTS INSTITUTE OF TECHNOLOGY

LASER INTERFEROMETER
 GRAVITATIONAL-WAVE OBSERVATORY
 SITE NO. 1 - HANFORD, WASHINGTON

STRUCTURAL
 CORNER STATION
 AIR HANDLING UNIT
 ENCLOSURE ELEVS & SECTS

AS NOTED PP150969 8094
WA-S-503

LIGO-D960324-00-0