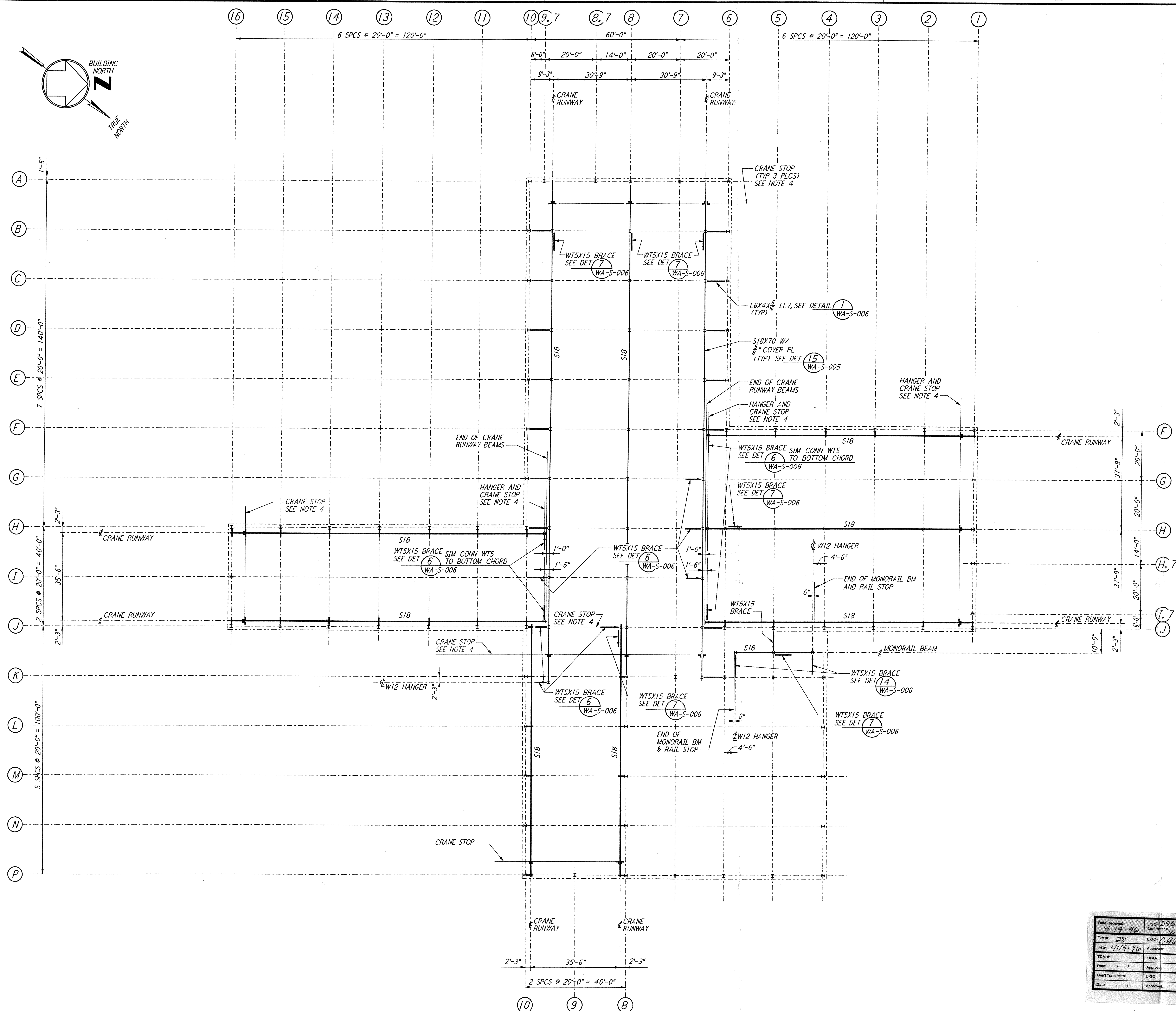
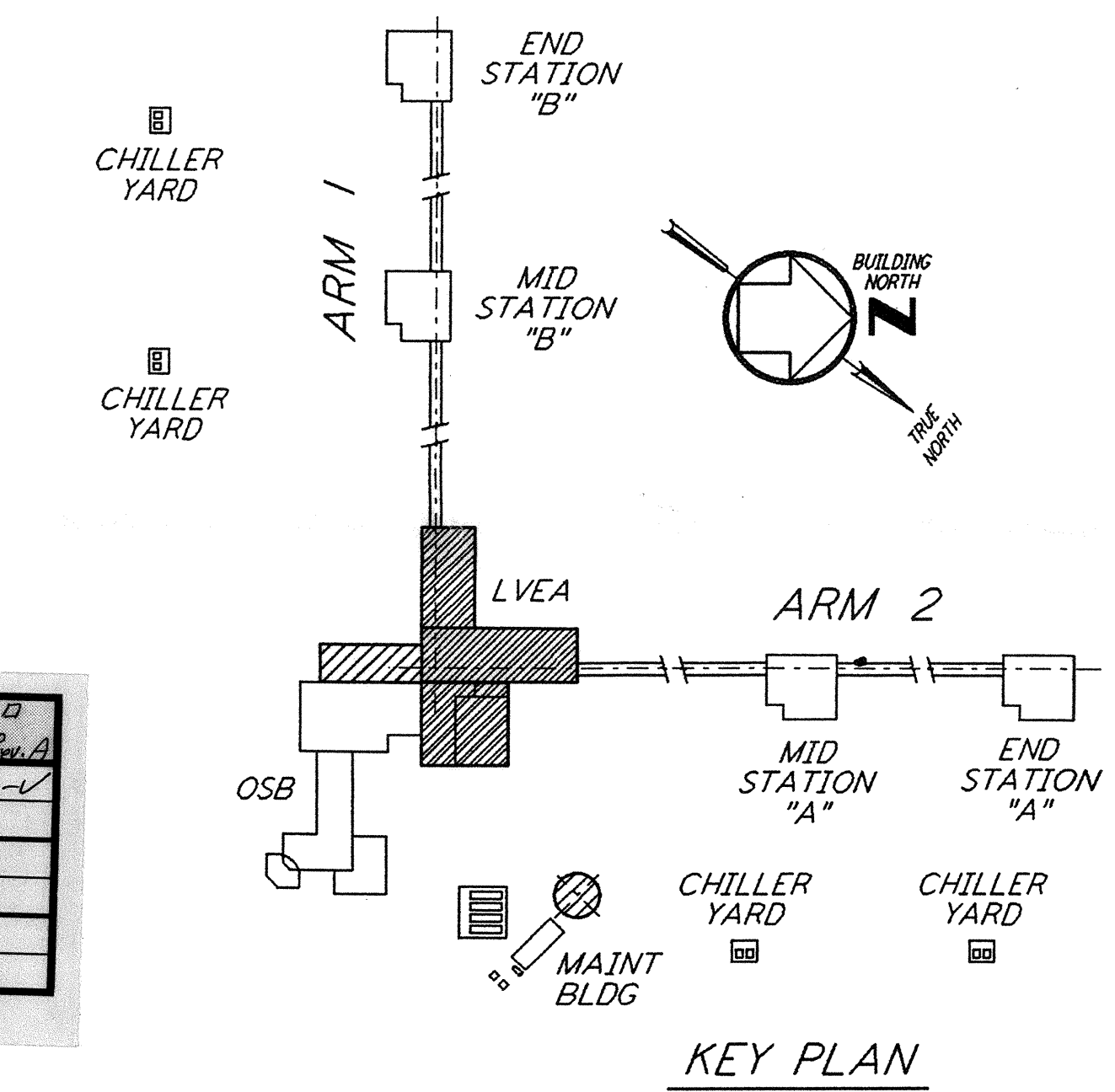


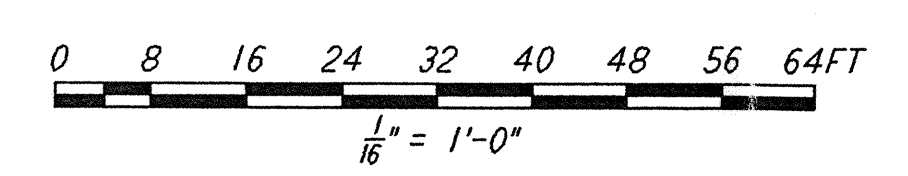
This document and the design it covers are the property of PARSONS. They are loaned only with the borrower's expressed written agreement that they will not be reproduced, copied, loaned, exhibited, or used in any other way, except by written consent from PARSONS to the borrower.



- NOTES:**
1. FABRICATOR SHALL STAGGER THE SPLICES IN CRANE RUNWAY GIRDERS.
  2. ——— DENOTES WTS BRACE AND POINTS TO LOW END.
  3. FOR CRANE STOP, SEE DETAIL (5) WA-S-005
  4. ALL CRANE STOPS SHALL BE FIELD LOCATED TO ACHIEVE CRANE HOOK COVERAGE AS SPECIFIED IN THE SPECIFICATIONS SECTION 14630, BRIDGE CRANES.
  5. CONTRACTOR HAS OPTION TO HAVE CRANE VENDOR SUPPLY CRANE RUNWAY BEAM. THE CRANE RUNWAY BEAM MAY BE PROPRIETARY SECTION ENGINEERED BY THE CRANE VENDOR.



Date Received	3/19/96	LIGO-D 960337-A-D
Time	25	LIGO-WB-ESG Rev A
Date	4/19/96	Approved: V. R. B. 857-00-V
Time		Approved:
Date	1/1	Approved:
Client/Transmittal		LIGO:
Date	1/1	Approved:



**CRANE GIRDER FRAMING PLAN**  
 1/16" = 1'-0"

NO.	DATE	BY	CHKD	ENGR	PROJ	DESCRIPTION
A	4-19-96	MCS	bbm	PK	DD	FINAL DESIGN REVIEW & BID

DRAWN	MCS
CHECKED	
ENGINEER	
PROJ	

**PARSONS**  
 100 WEST WALNUT STREET  
 PASADENA, CALIFORNIA

**LIGO**  
 CALIFORNIA INSTITUTE OF TECHNOLOGY  
 MASSACHUSETTS INSTITUTE OF TECHNOLOGY

LASER INTERFEROMETER  
 GRAVITATIONAL-WAVE OBSERVATORY  
 SITE NO. 1 - HANFORD, WASHINGTON

**STRUCTURAL CORNER STATION LVEA CRANE SUPPORT FRAMING PLAN**

AS NOTED PPI50969 8094  
**WA-S-506**