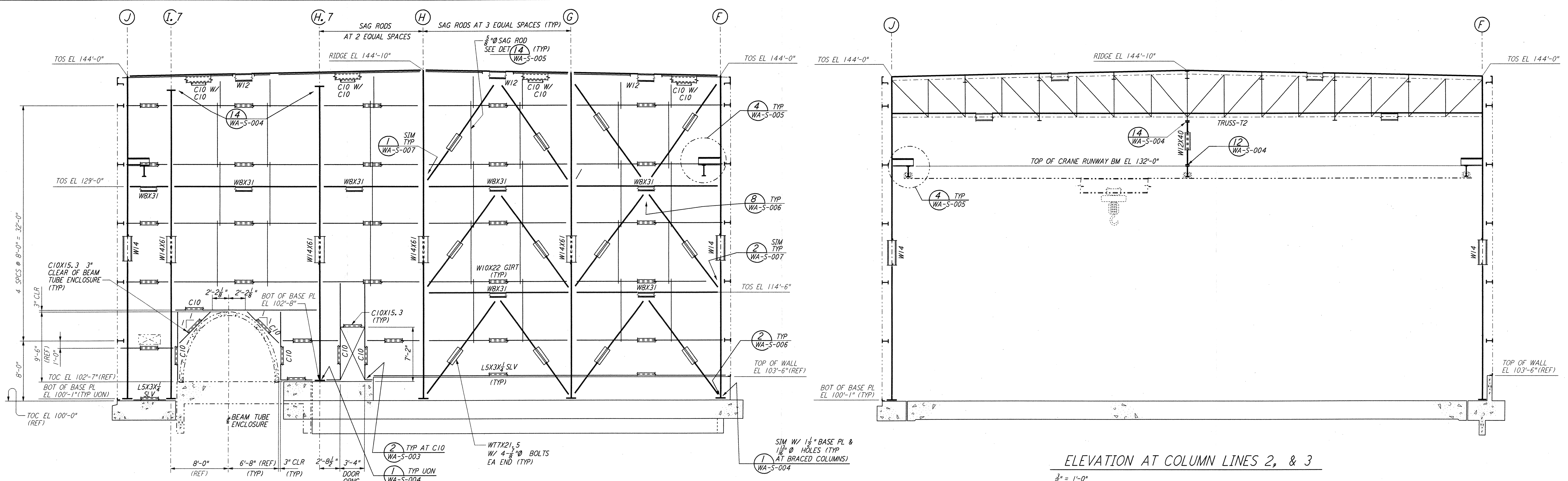
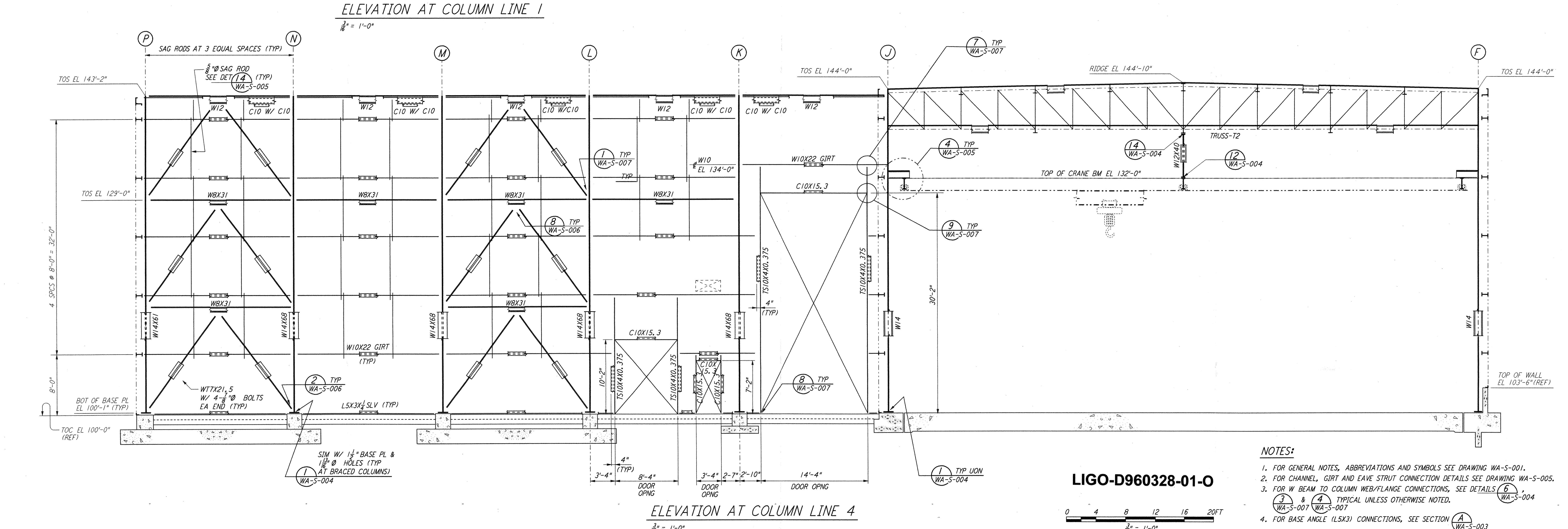


not be reproduced, copied, loaned, exhibited, or used in any other way, except by written consent from PARSONS to the borrower.

This document and the design it covers are the property of PARSONS. They are loaned only with the borrower's expressed written agreement that they will

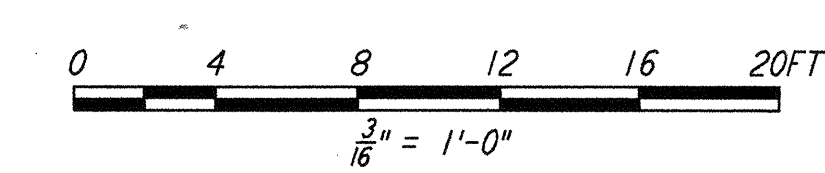


ELEVATION AT COLUMN LINES 2, & 3
 $\frac{3}{16}'' = 1'-0''$



ELEVATION AT COLUMN LINE 4
 $\frac{3}{16}'' = 1'-0''$

LIGO-D960328-01-0



- NOTES:**
- FOR GENERAL NOTES, ABBREVIATIONS AND SYMBOLS SEE DRAWING WA-S-001.
 - FOR CHANNEL, GIRT AND EAVE STRUT CONNECTION DETAILS SEE DRAWING WA-S-005.
 - FOR W BEAM TO COLUMN WEB/FLANGE CONNECTIONS, SEE DETAILS (6) WA-S-004 & (4) WA-S-007.
 - FOR BASE ANGLE (LSX3) CONNECTIONS, SEE SECTION (A) WA-S-003.

NO.	DATE	BY	CHKD	ENGR	PROJ	DESCRIPTION
1	6-15-98	CKT	HP	BP	BP	ISSUED FOR AS-BUILT

ISSUED FOR CONSTRUCTION	
DRAWN	MCS 6-24-96
CHECKED	DDM 7-2-96
ENGINEER	BP 6-28-96
PROJ	DWM 7-9-96

AS-BUILT DRAWINGS

100 WEST WALNUT STREET
PASADENA, CALIFORNIA

CALIFORNIA INSTITUTE OF TECHNOLOGY
MASSACHUSETTS INSTITUTE OF TECHNOLOGY

LASER INTERFEROMETER
GRAVITATIONAL-WAVE OBSERVATORY
SITE NO. 1 - HANFORD, WASHINGTON

TITLE	STRUCTURAL CORNER STATION LVEA FRAMING ELEVATIONS SHEET 1
SCALE	AS NOTED
CONTRACT NUMBER	PP150969
PROJECT NUMBER	8094
SHEET NUMBER	WA-S-507
REVISION	

Plot Date: 07/06/98 16:48:01 C:\PLOT\JOB\ES\3-V5682\JOB\52085 K:\V5682\44507.dwg