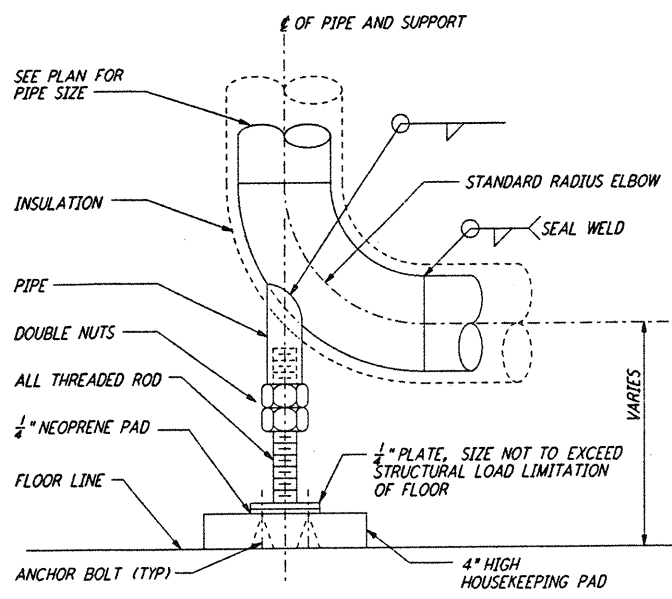


5

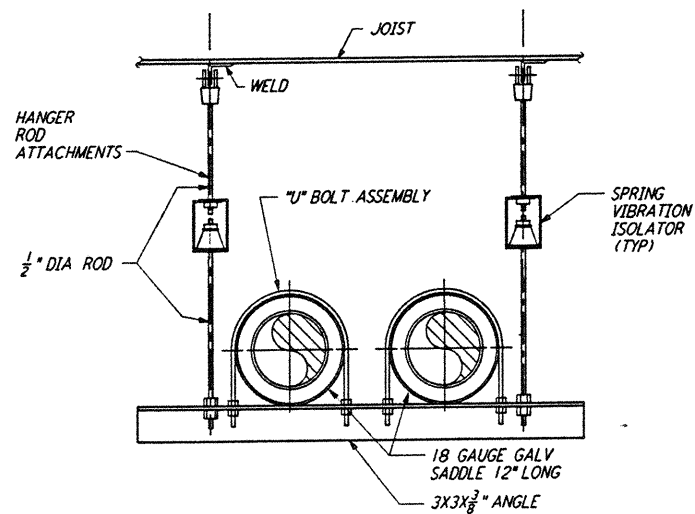
4

3

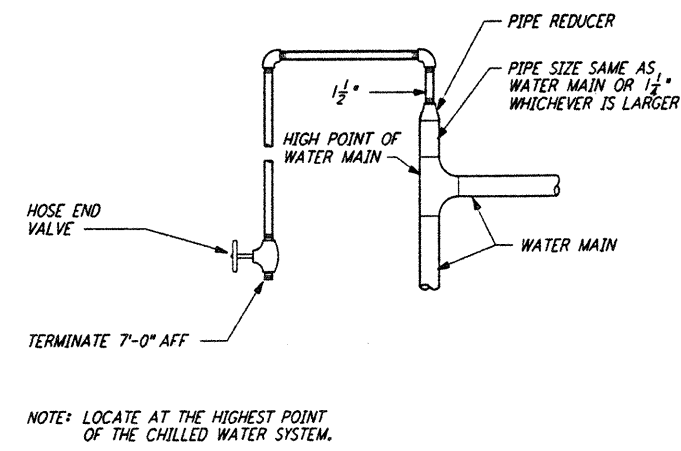
2



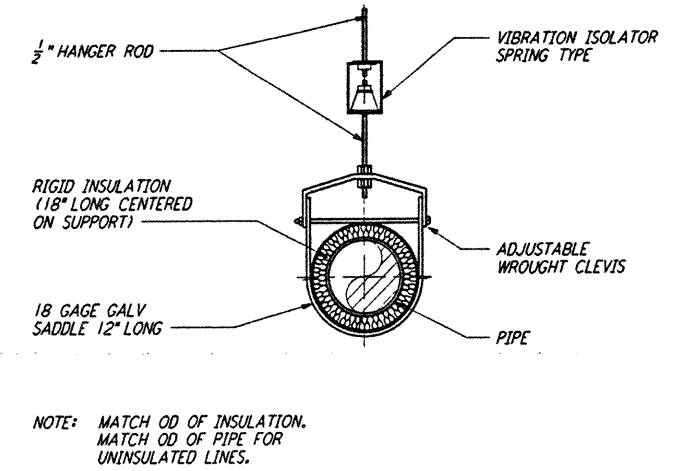
TYPICAL BASE ELBOW SUPPORT (1) REF
 NTS WA-H-412



PIPE HANGER - TRAPEZE (2) REF
 NTS WA-H-412



MANUAL AIR VENT (3) REF
 NTS WA-H-412



PIPE HANGER - SINGLE PIPE (4) REF
 NTS WA-H-412

NOTES:
 1. FOR LEGEND, ABBREVIATIONS AND GENERAL NOTES SEE SHEETS WA-H-001 AND WA-H-002.

This document and the design it covers are the property of PARSONS. They are loaned only with the borrower's expressed written agreement that they will not be reproduced, copied, loaned, exhibited, or used in any other way, except by written consent from PARSONS to the borrower.

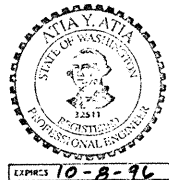
This document and the design it covers are the property of PARSONS. They are loaned only with the borrower's expressed written agreement that they will not be reproduced, copied, loaned, exhibited, or used in any other way, except by written consent from PARSONS to the borrower.

FOR OUT OF HOUSE/IN HOUSE: 33-LR02L JAVLUDUMBERCALDRK.VM14LZ.PPR

E
D
C
B
A

NO.	DATE	BY	CHKD	ENGR	PROJ	DESCRIPTION

ISSUED FOR CONSTRUCTION	CLP	6-24-96
DRAWN		
CHECKED		
ENGINEER		
PROJ		



LASER INTERFEROMETER GRAVITATIONAL-WAVE OBSERVATORY
 SITE NO. 1 - HANFORD, WASHINGTON

TITLE	SCALE	CONTRACT NUMBER	PROJECT NUMBER
HVAC DETAILS SHEET 2	NONE	PP150969	8094
SHEET NUMBER		REVISION	
WA-H-412			