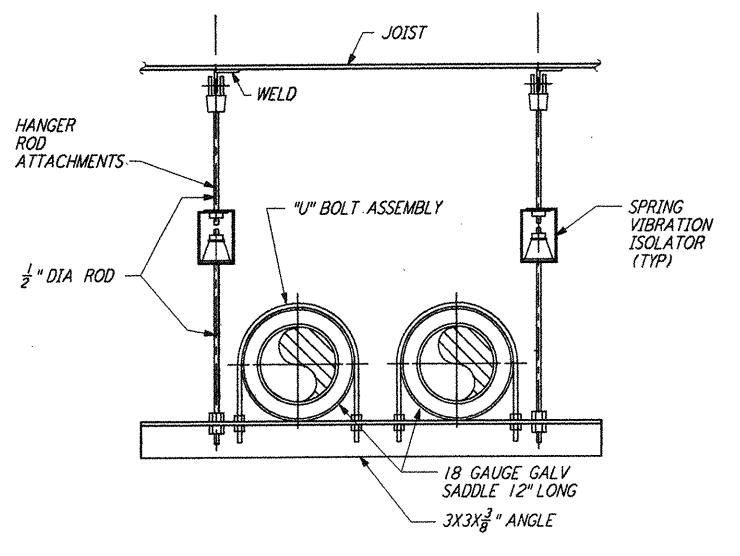
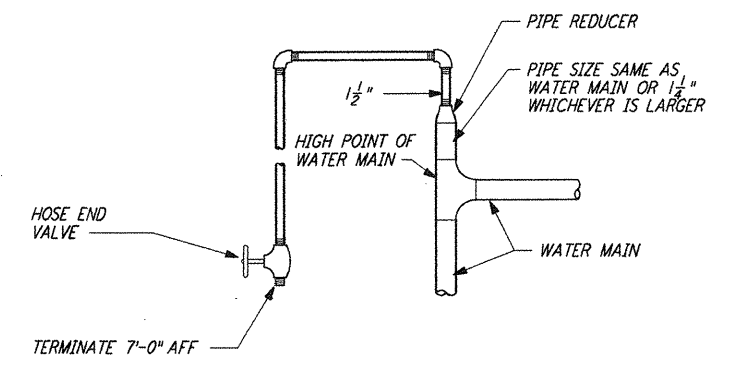


TYPICAL BASE ELBOW SUPPORT (1) REF
 NTS WA-H-412

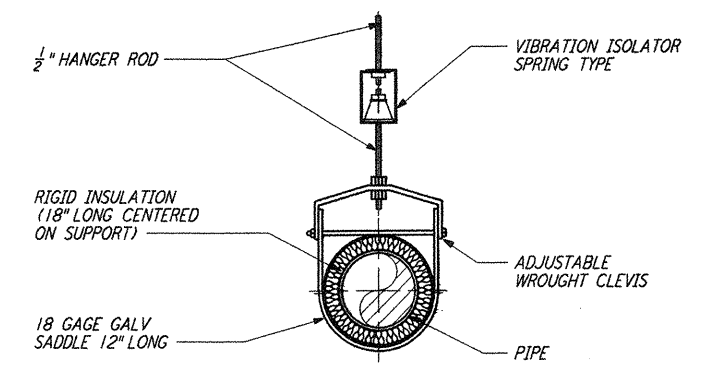


PIPE HANGER - TRAPEZE (2) REF
 NTS WA-H-412



NOTE: LOCATE AT THE HIGHEST POINT OF THE CHILLED WATER SYSTEM.

MANUAL AIR VENT (3) REF
 NTS WA-H-412



NOTE: MATCH OD OF INSULATION. MATCH OD OF PIPE FOR UNINSULATED LINES.

PIPE HANGER - SINGLE PIPE (4) REF
 NTS WA-H-412

NOTES:
 1. FOR LEGEND, ABBREVIATIONS AND GENERAL NOTES SEE SHEETS WA-H-001 AND WA-H-002.

not be reproduced, copied, loaned, exhibited, or used in any other way, except by written consent from PARSONS to the borrower.

This document and the design it covers are the property of PARSONS. They are loaned only with the borrower's expressed written agreement that they will

NO.	DATE	BY	CHKD	ENGR	PROJ	DESCRIPTION
1	5-15-98	CP	AA	AA	MDW	ISSUED FOR AS-BUILT

ISSUED FOR CONSTRUCTION
 DRAWN CLP 6-24-98
 CHECKED ME 7/3/98
 ENGINEER AA 7/3/98
 PROJ MDW 7/8/98

AS-BUILT DRAWINGS

PARSONS
 100 WEST WALNUT STREET
 PASADENA, CALIFORNIA

LIGO
 CALIFORNIA INSTITUTE OF TECHNOLOGY
 MASSACHUSETTS INSTITUTE OF TECHNOLOGY

LIGO-D960371-01-0
 LASER INTERFEROMETER
 GRAVITATIONAL-WAVE OBSERVATORY
 SITE NO. 1 - HANFORD, WASHINGTON

TITLE: HVAC DETAILS SHEET 2
 SCALE: NONE
 CONTRACT NUMBER: PPI50969
 PROJECT NUMBER: 8094
 SHEET NUMBER: WA-H-412