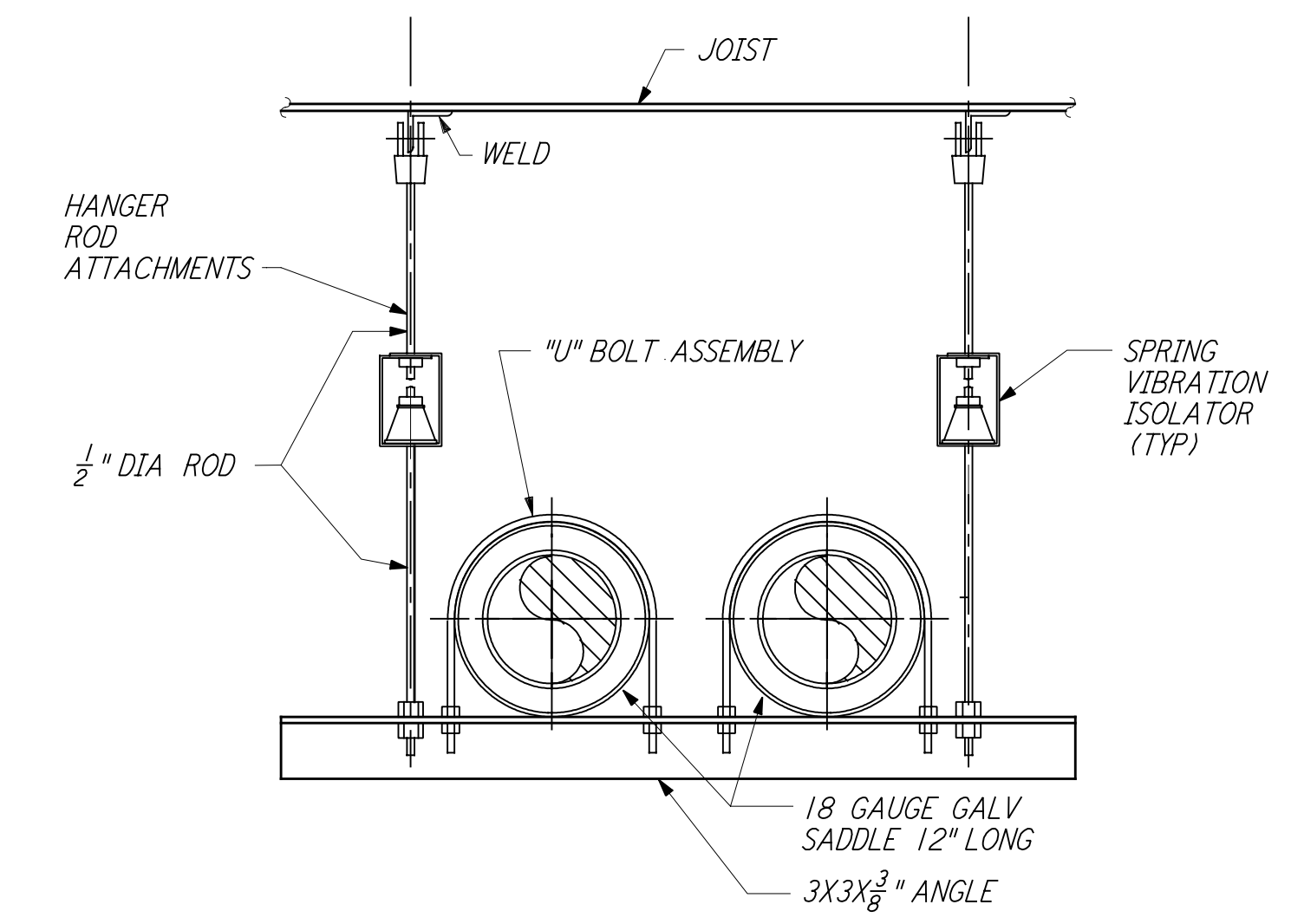
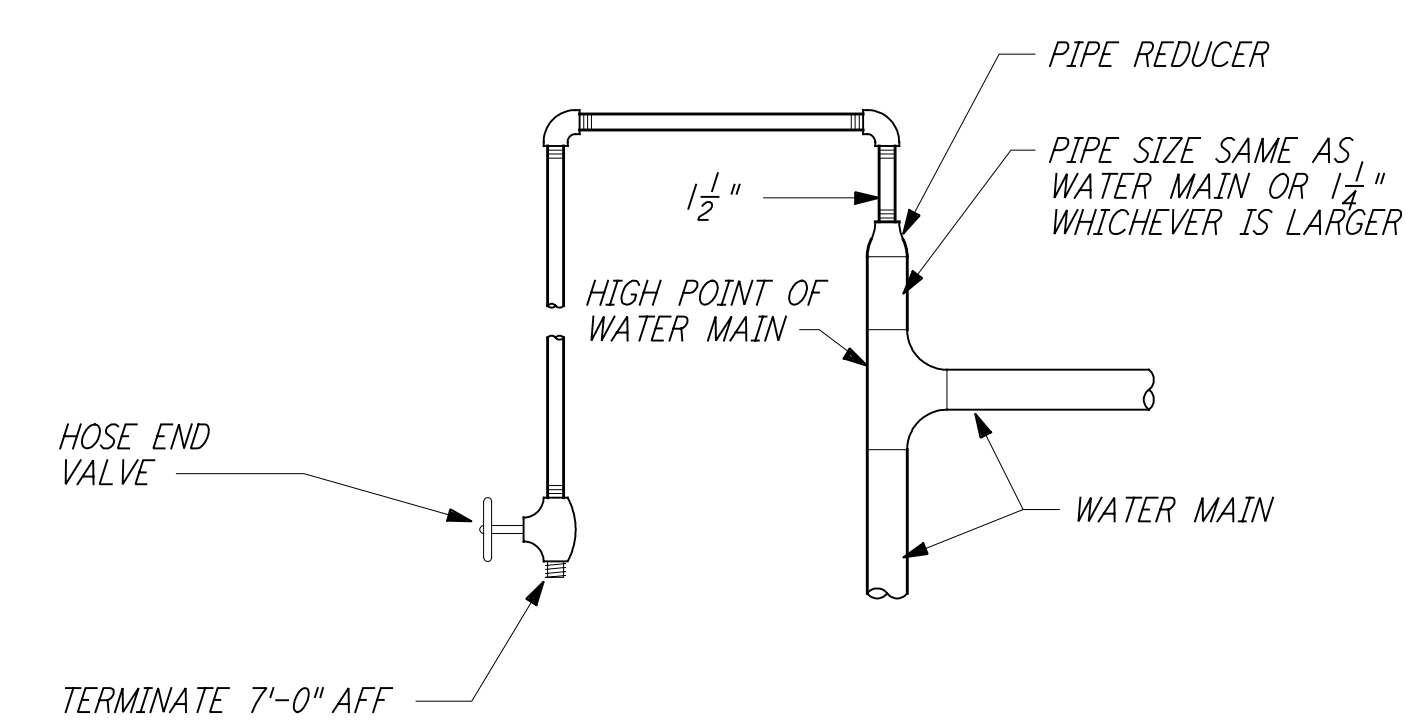


TYPICAL BASE ELBOW SUPPORT 1 REF
 NTS WA-H-412

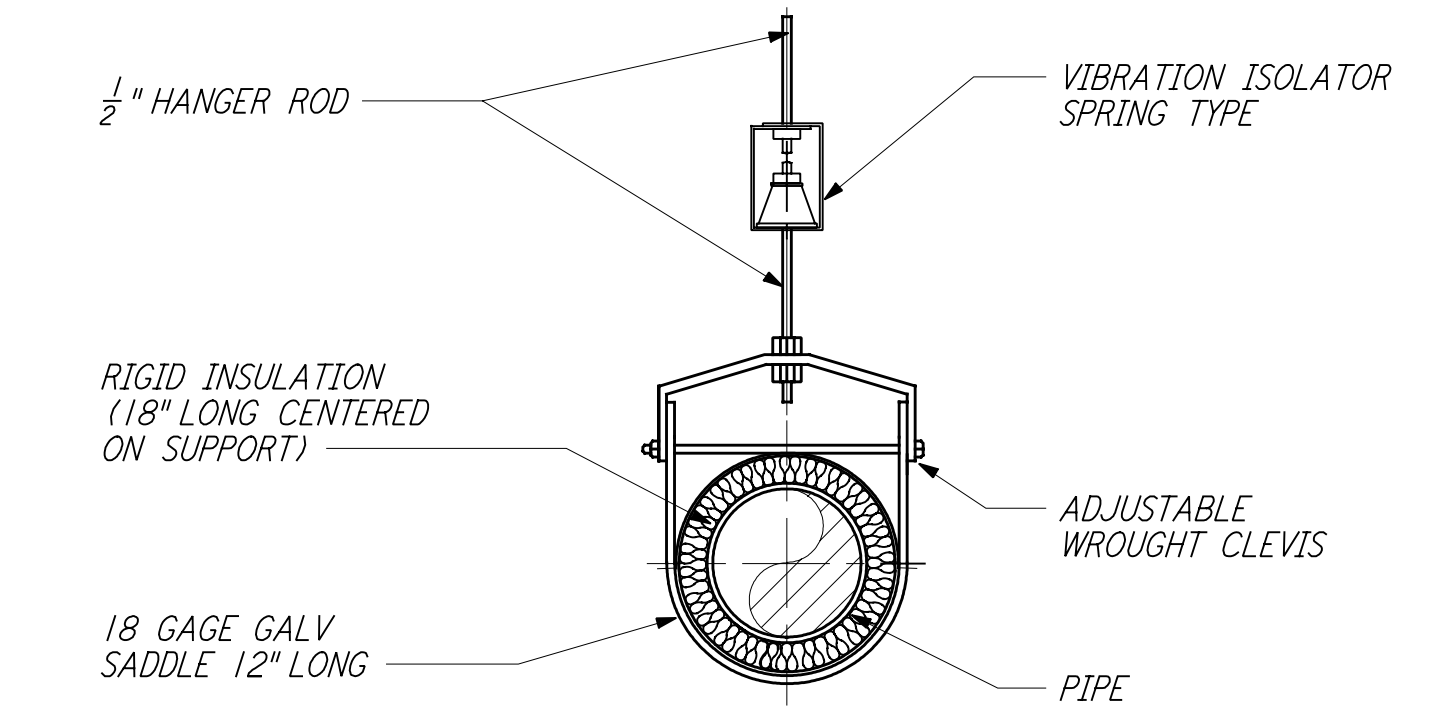


PIPE HANGER - TRAPEZE 2 REF
 NTS WA-H-412



NOTE: LOCATE AT THE HIGHEST POINT OF THE CHILLED WATER SYSTEM.

MANUAL AIR VENT 3 REF
 NTS WA-H-412



NOTE: MATCH OD OF INSULATION. MATCH OD OF PIPE FOR UNINSULATED LINES.

PIPE HANGER - SINGLE PIPE 4 REF
 NTS WA-H-412

NOTES:

- 1. FOR LEGEND, ABBREVIATIONS AND GENERAL NOTES SEE SHEETS WA-H-001 AND WA-H-002.

This document and the design it covers are the property of PARSONS. They are loaned only with the borrower's expressed written agreement that they will not be reproduced, copied, loaned, exhibited, or used in any other way, except by written consent from PARSONS to the borrower.

This document and the design it covers are the property of PARSONS. They are loaned only with the borrower's expressed written agreement that they will not be reproduced, copied, loaned, exhibited, or used in any other way, except by written consent from PARSONS to the borrower.

NO.	DATE	BY	CHKD	ENGR	PROJ	DESCRIPTION
1	5-15-98	CP				ISSUED FOR AS-BUILT

ISSUED FOR CONSTRUCTION		
DRAWN	CLP	6-24-96
CHECKED		
ENGINEER		
PROJ		

AS-BUILT DRAWINGS

PARSONS
 100 WEST WALNUT STREET
 PASADENA, CALIFORNIA

LIGO
 CALIFORNIA INSTITUTE OF TECHNOLOGY
 MASSACHUSETTS INSTITUTE OF TECHNOLOGY

LIGO-D960371-01-0
LASER INTERFEROMETER GRAVITATIONAL-WAVE OBSERVATORY SITE NO. 1 - HANFORD, WASHINGTON

TITLE	SCALE	CONTRACT NUMBER	PROJECT NUMBER
HVAC DETAILS SHEET 2	NONE	PP150969	8094
SHEET NUMBER		REVISIONS	
WA-H-412			