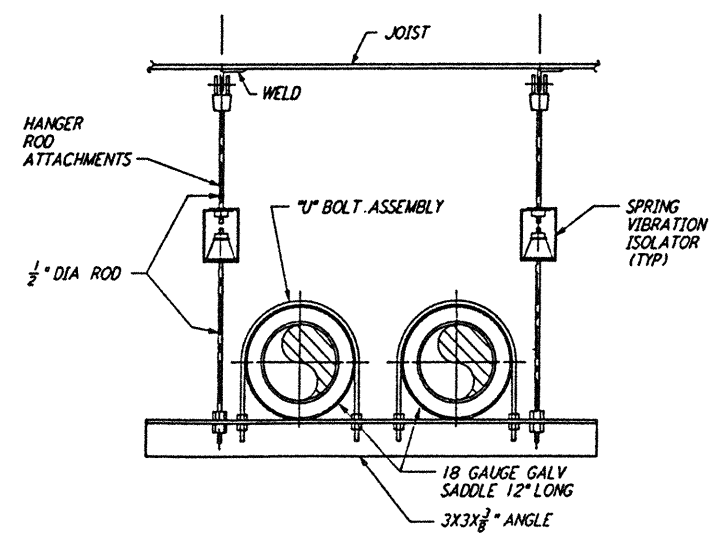
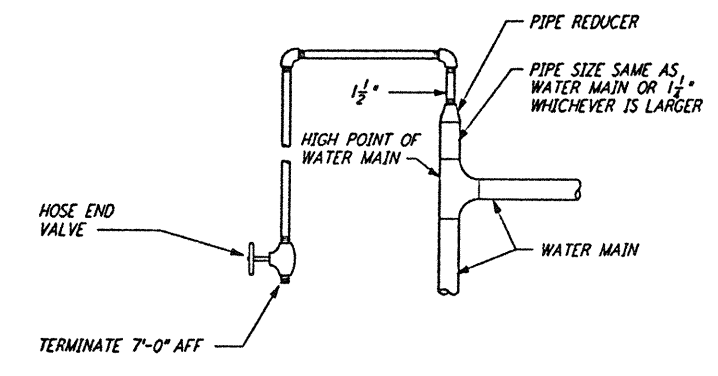


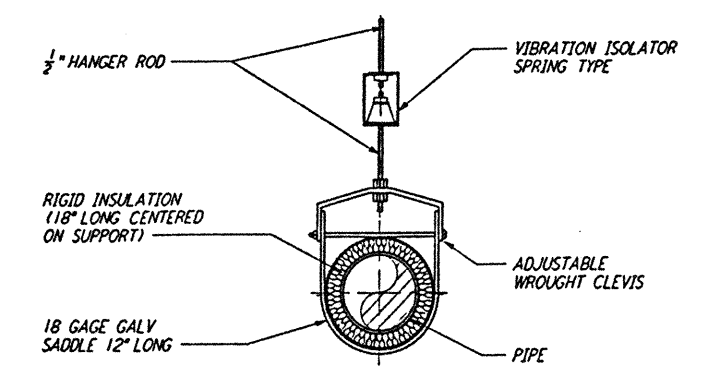
TYPICAL BASE ELBOW SUPPORT (1) REF
 NTS WA-H-412



PIPE HANGER - TRAPEZE (2) REF
 NTS WA-H-412



MANUAL AIR VENT (3) REF
 NTS WA-H-412



PIPE HANGER - SINGLE PIPE (4) REF
 NTS WA-H-412

NOTE: LOCATE AT THE HIGHEST POINT OF THE CHILLED WATER SYSTEM.

NOTE: MATCH OD OF INSULATION. MATCH OD OF PIPE FOR UNINSULATED LINES.

NOTES:
 1. FOR LEGEND, ABBREVIATIONS AND GENERAL NOTES SEE SHEETS WA-H-001 AND WA-H-002.

not be reproduced, copied, loaned, exhibited, or used in any other way, except by written consent from PARSONS to the borrower.

This document and the design it covers are the property of PARSONS. They are loaned only with the borrower's expressed written agreement that they will

NO.	DATE	BY	CHKD	ENGR	PROJ	DESCRIPTION
A	4-19-96	CLP	M.E.	AA		FINAL DESIGN REVIEW & BID

DRAWN	CLP
CHECKED	
ENGINEER	
PROJ	

PARSONS
 100 WEST WALNUT STREET
 PASADENA, CALIFORNIA

LIGO
 CALIFORNIA INSTITUTE OF TECHNOLOGY
 MASSACHUSETTS INSTITUTE OF TECHNOLOGY

LASER INTERFEROMETER
 GRAVITATIONAL-WAVE OBSERVATORY
 SITE NO. 1 - HANFORD, WASHINGTON

TITLE	SCALE	CONTRACT NUMBER	PROJECT NUMBER
HVAC DETAILS SHEET 2	NONE	PP150969	8094
SHEET NUMBER		REVISION	
WA-H-412			

LIGO-D960371-A-1

LIGOWAF.BOR