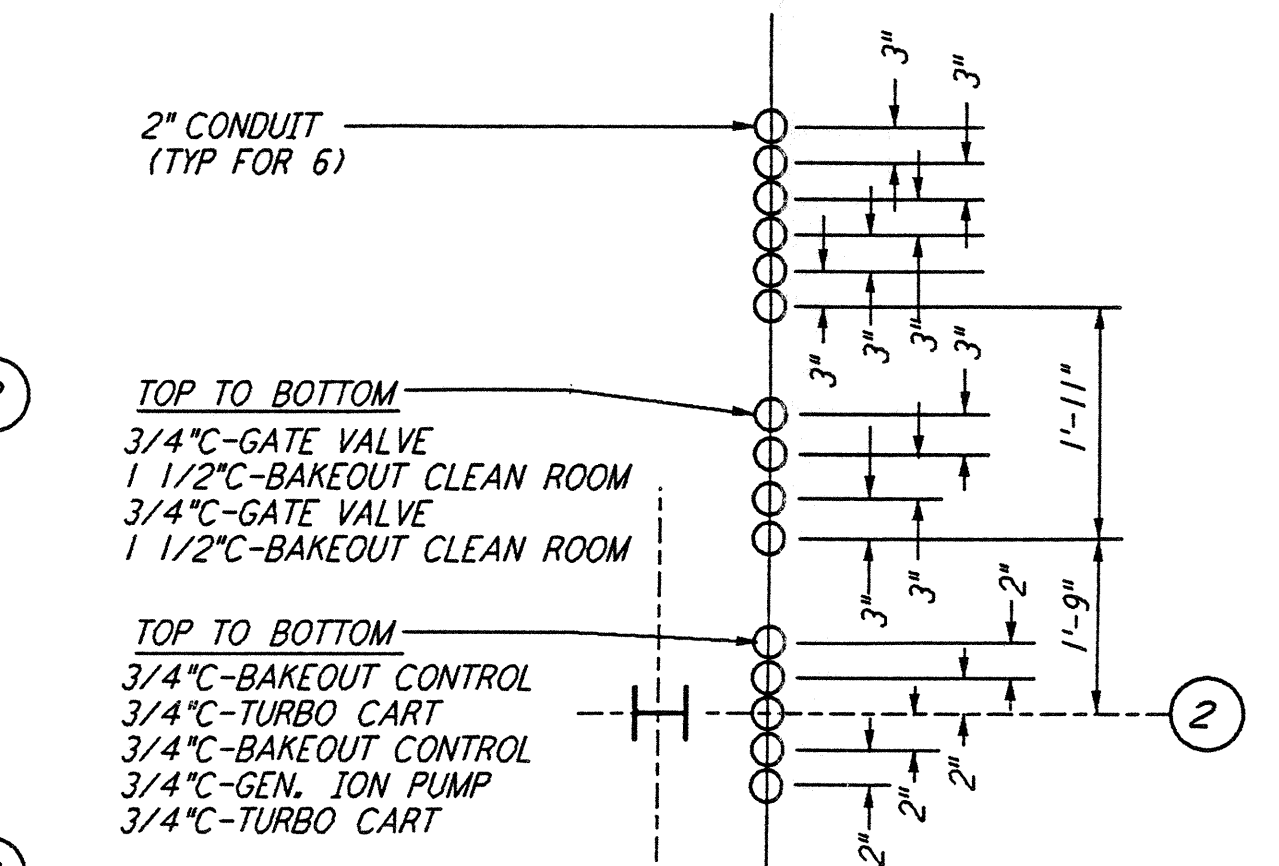
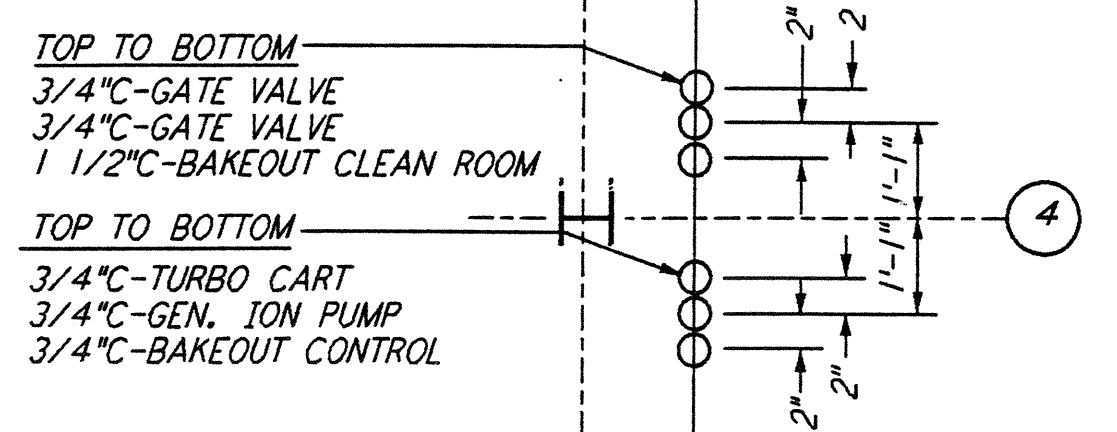


DUCT BANK SECTION A REF WA-E-213 N.T.S.

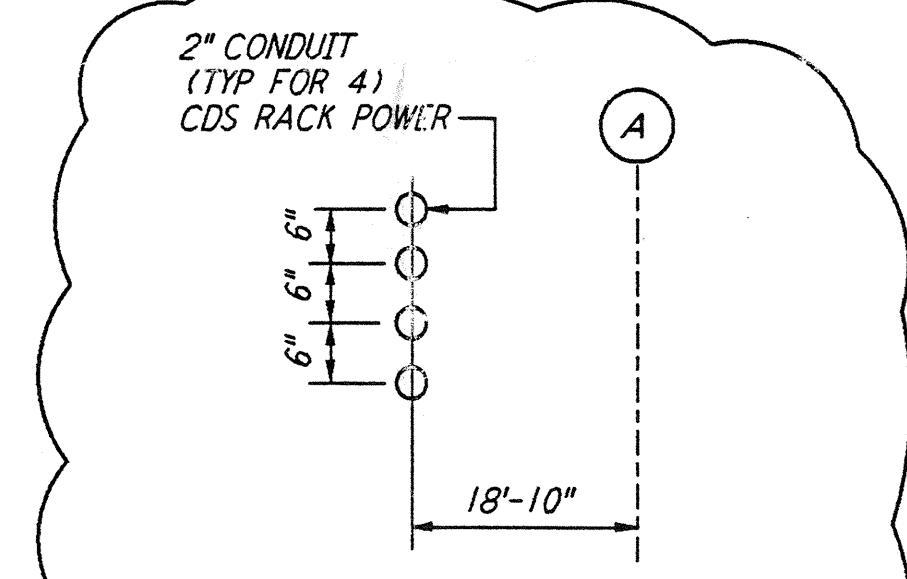
DUCT BANK SECTION B REF WA-E-213 N.T.S.



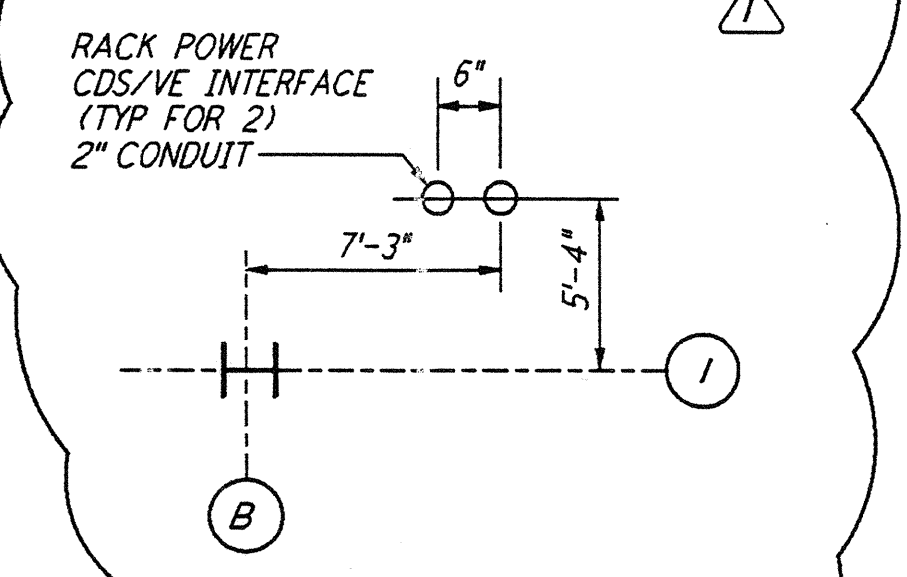
DETAIL 9 REF WA-E-213 N.T.S.



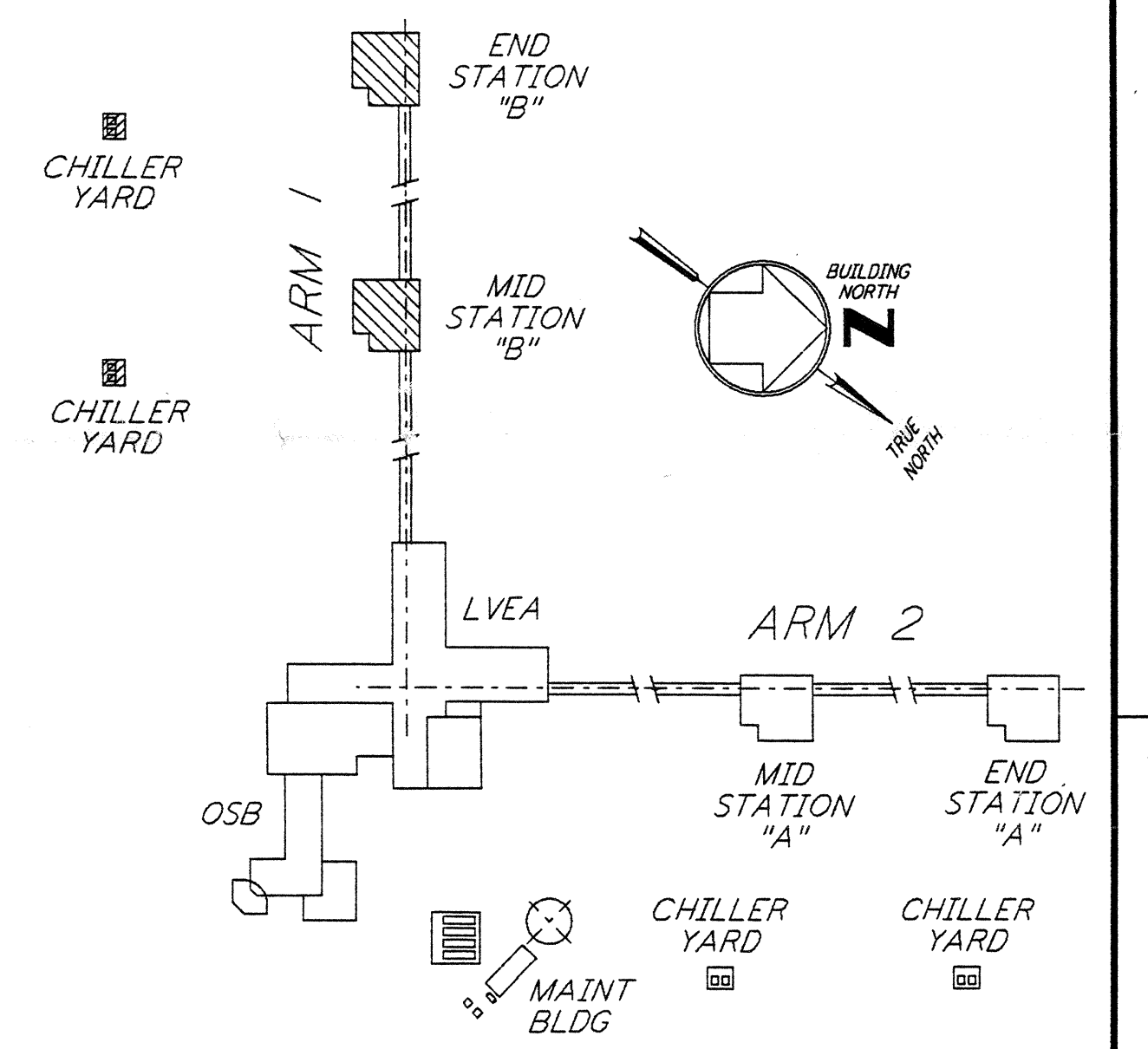
DETAIL 10 REF WA-E-213 N.T.S.



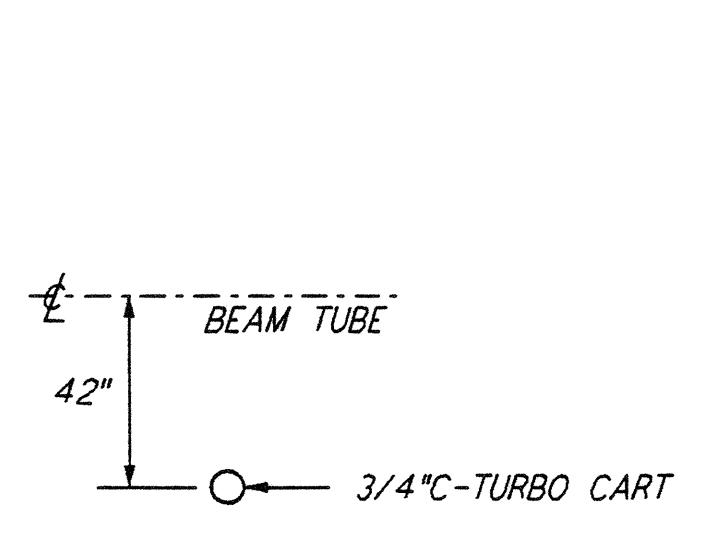
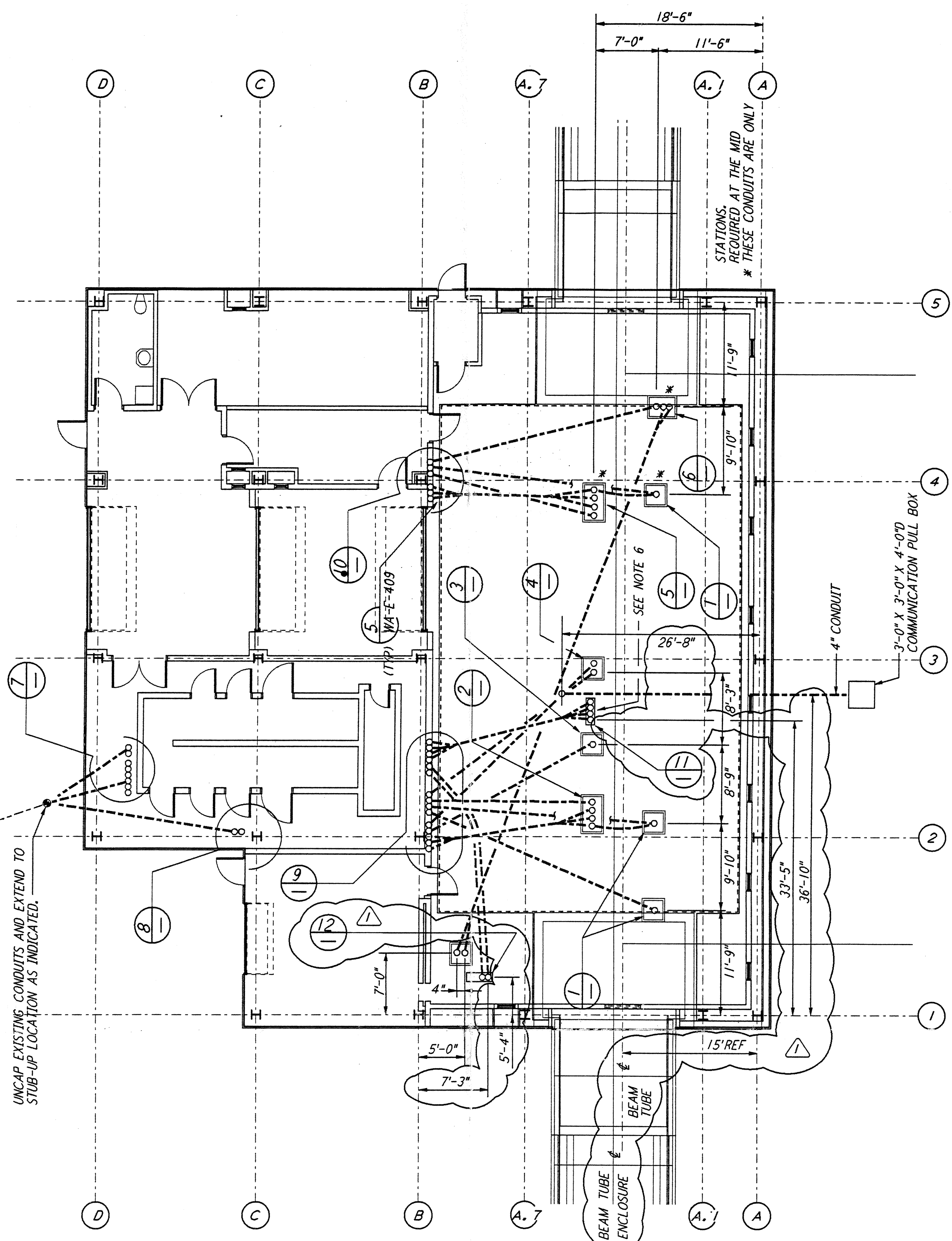
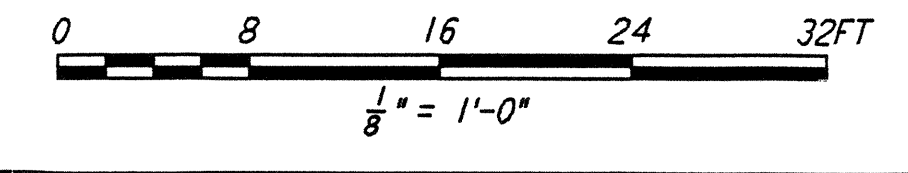
DETAIL 11 REF WA-E-213 N.T.S.



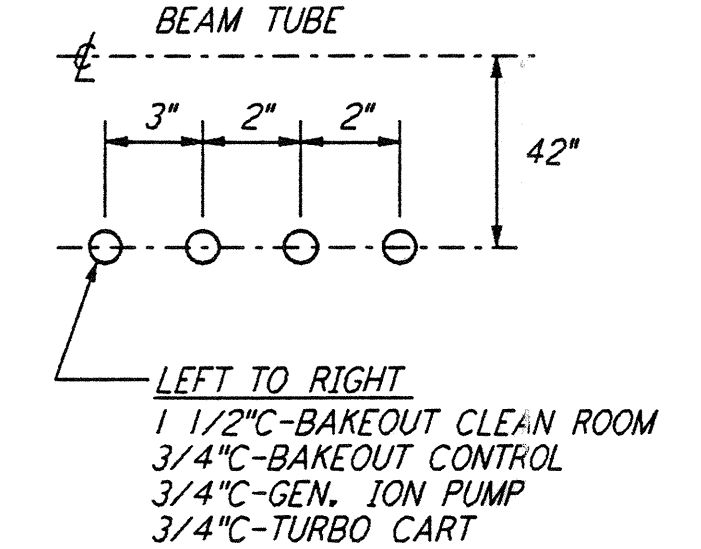
DETAIL 12 REF WA-E-213 N.T.S.



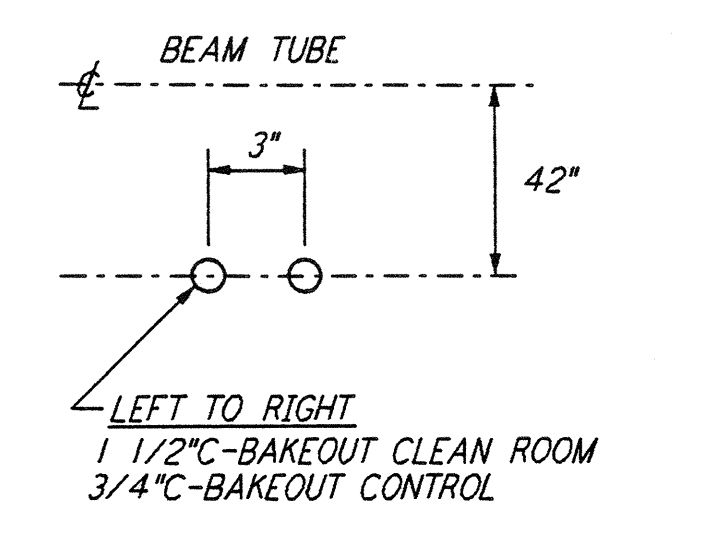
KEY PLAN



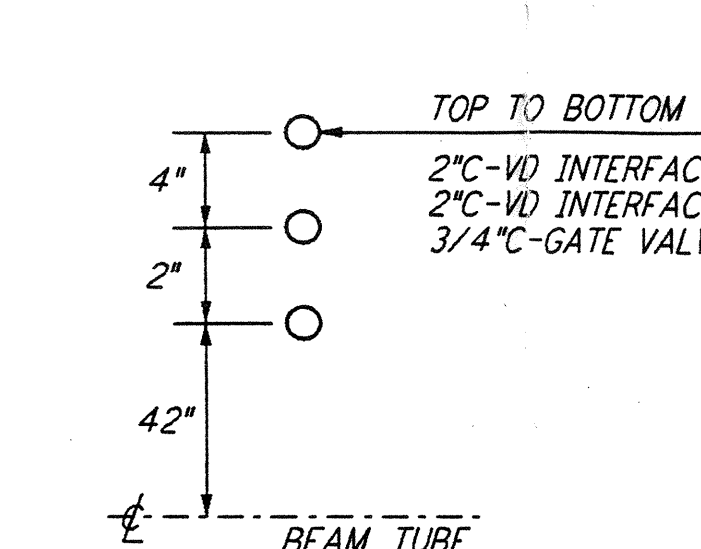
DETAIL 3 REF WA-E-213 N.T.S.



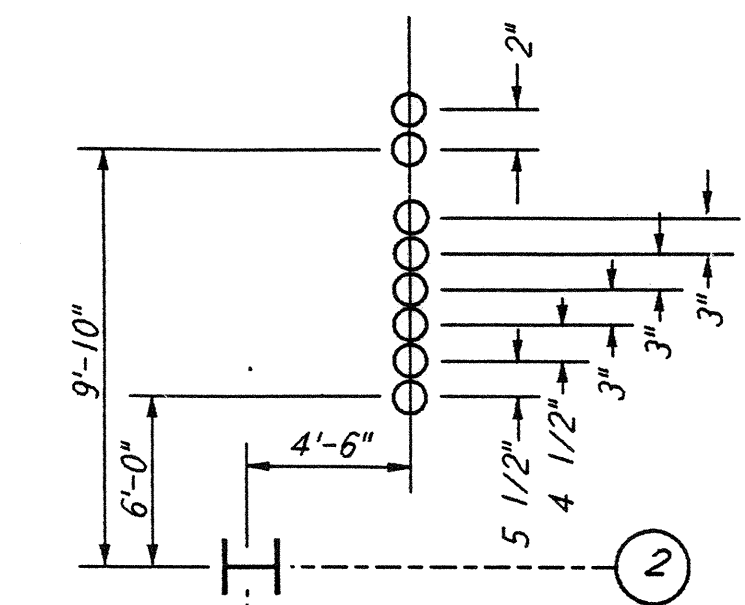
DETAIL 5 REF WA-E-213 N.T.S.



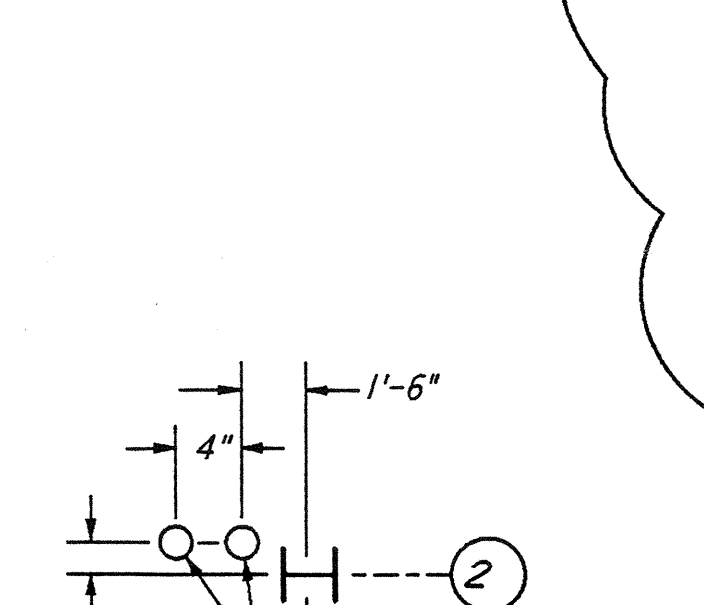
DETAIL 4 REF WA-E-213 N.T.S.



DETAIL 6 REF WA-E-213 N.T.S.



DETAIL 7 REF WA-E-213 N.T.S.



DETAIL 8 REF WA-E-213 N.T.S.

GENERAL NOTES:

1. FOR STANDARD SYMBOLS, ABBREVIATIONS AND ACRONYMS SEE DWG. WA-E-001.
2. FOR ELECTRICAL SYMBOLS SEE DWG. WA-E-002.
3. FOR STANDARD INSTALLATION DETAILS SEE DWG. WA-E-405 THRU WA-E-407.
4. FOR CABLE TYPE DESCRIPTION SEE DWG. WA-E-007.
5. ALL RUNS ARE SHOWN DIAGRAMMATICALLY ONLY, CONTRACTOR SHALL COORDINATE INSTALLATION WITH OTHER DISCIPLINES.
6. COORDINATES OF CDS POWER CONDUIT STUB-UPS SHALL BE COORDINATED WITH THE VACUUM EQUIPMENT VENDOR.

NOTES:

1. FOR NODE NUMBERING SCHEDULE SEE DWG. WA-E-008.
2. THE WORK MARKED BY HAND ON THIS DRAWING IN REVISION "A" DATED 4-15-96 HAS BEEN RESTORED TO THIS CONTRACT.

This document and the design it covers are the property of PARSONS. They are loaned only with the borrower's expressed written agreement that they will not be reproduced, copied, loaned, exhibited, or used in any other way, except by written consent from PARSONS to the borrower.

This document and the design it covers are the property of PARSONS. They are loaned only with the borrower's expressed written agreement that they will not be reproduced, copied, loaned, exhibited, or used in any other way, except by written consent from PARSONS to the borrower.

NO.	DATE	BY	CHKD	ENGR	PROJ	DESCRIPTION
1	8-22-96	MM	MM	MM	MM	REVISED PER LIGO-L960622-02-D

ISSUED FOR CONSTRUCTION	DATE	BY
DRAWN	M. M.	6-25-96
CHECKED		
ENGINEER		
PROJ		

PARSONS
 100 WEST WALNUT STREET
 PASADENA, CALIFORNIA

LIGO
 CALIFORNIA INSTITUTE OF TECHNOLOGY
 MASSACHUSETTS INSTITUTE OF TECHNOLOGY

LASER INTERFEROMETER
 GRAVITATIONAL-WAVE OBSERVATORY
 SITE NO. 1 - HANFORD, WASHINGTON

**ELECTRICAL
 MID & END B STATIONS
 UNDERGROUND
 PLAN**

SCALE: AS NOTED
 CONTRACT NUMBER: PPI50969
 PROJECT NUMBER: 8094

WA-E-213