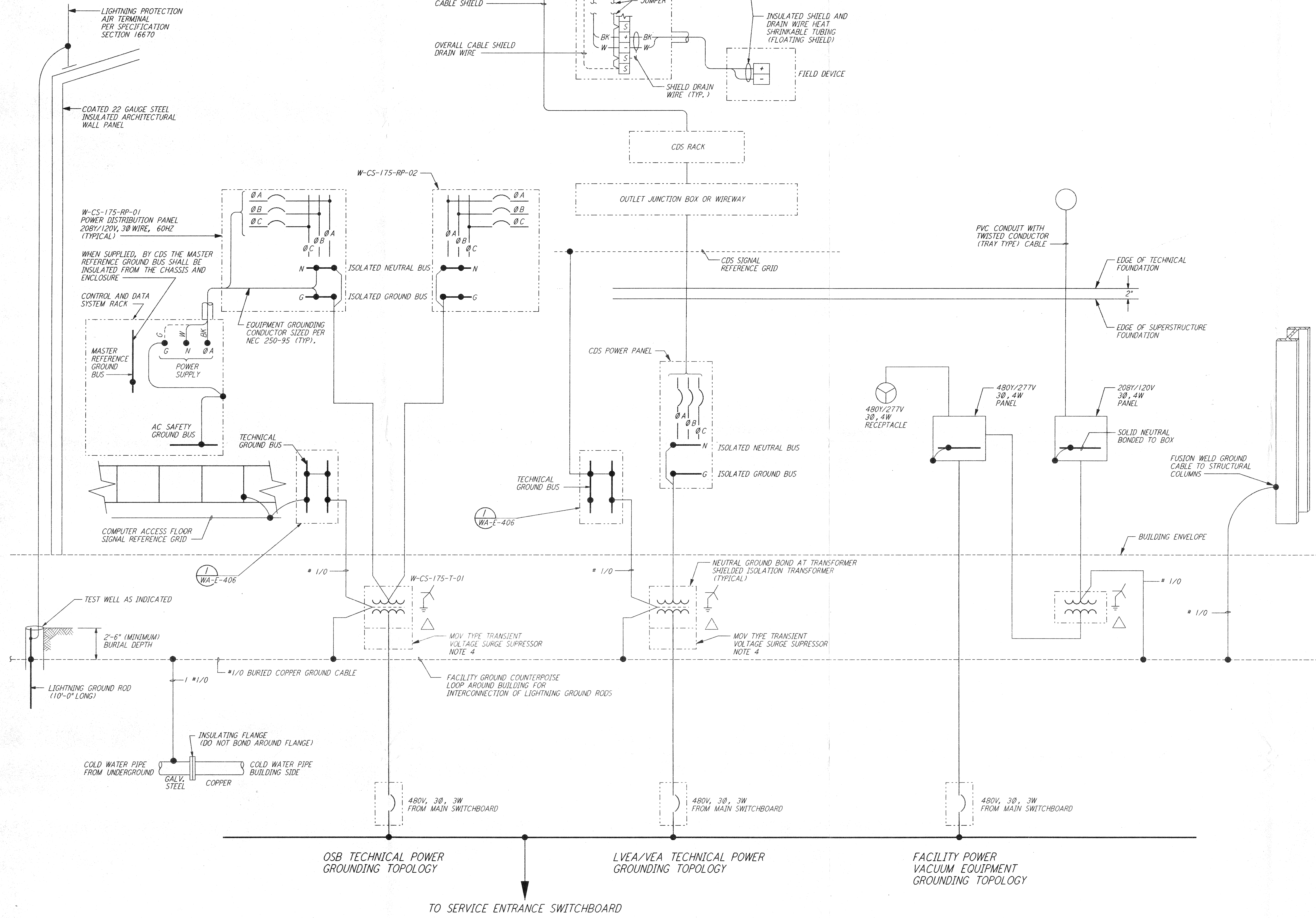


- NOTES:**
1. ALL SURFACES TO WHICH CONNECTIONS ARE TO BE MADE, SHALL BE FREE OF PAINT, RUST, CORROSION ETC.
  2. ALL GROUNDING INDICATED ON THIS DWG, IS FOR THE SOLE PURPOSE OF ESTABLISHING A HIGH QUALITY SINGLE POINT, SINGLE GROUND GRID SYSTEM, AND SHALL NOT BE CONSIDERED AS THE EQUIPMENT SAFETY GROUND, GROUNDING ELECTRODES, EQUIPMENT GROUNDING CONDUCTORS, EQUIPMENT SAFETY GROUNDING, AND SIGNAL GROUNDING SHALL MEET THE REQUIREMENTS OF THE NATIONAL ELECTRICAL CODE ARTICLE 250 AND FEDERAL INFORMATION PROCESSING STANDARDS PUBLICATION 94 "GUIDELINE ON ELECTRICAL POWER FOR AUTOMATIC DATA PROCESSING INSTALLATIONS".
  3. ALL POWER CIRCUITS ARE IN METALLIC CONDUIT EFFECTIVELY GROUND TO EQUIPMENT UNLESS OTHERWISE NOTED. GROUNDING CONDUCTORS SHALL BE RUN IN NON-MAGNETIC (PVC) CONDUIT WHEN MECHANICAL PROTECTION IS REQUIRED.
  4. TRANSIENT VOLTAGE SURGE SUPPRESSORS ARE COMMON AND DIFFERENTIAL MODE TYPE UNITS.

- LEGEND:**
- REPRESENTS GROUNDING ELECTRODE CONDUCTOR
  - REPRESENTS SAFETY GROUNDING AND POWER
  - REPRESENTS SIGNAL AND NATIONAL ELECTRICAL CODE EQUIPMENT GROUNDING CONDUCTOR (GREEN WIRE OUTLINE)
  - EQUIPMENT OUTLINE

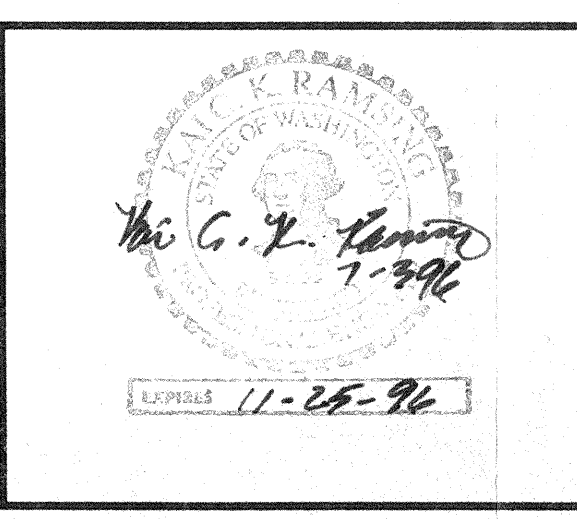


OSB TECHNICAL POWER GROUNDING TOPOLOGY  
 LVEA/VEA TECHNICAL POWER GROUNDING TOPOLOGY  
 FACILITY POWER VACUUM EQUIPMENT GROUNDING TOPOLOGY  
 TO SERVICE ENTRANCE SWITCHBOARD

This document and the design it covers are the property of PARSONS. They are loaned only with the borrower's expressed written agreement that they will not be reproduced, copied, loaned, exhibited, or used in any other way, except by written consent from PARSONS to the borrower.

NO.	DATE	BY	CHKD	ENGR	PROJ	DESCRIPTION

ISSUED FOR CONSTRUCTION			
DRAWN	M. M.	6-25-96	
CHECKED		7-3-96	
ENGINEER		7-3-96	
PROJ		7-8-96	



**PARSONS**  
 100 WEST WALNUT STREET  
 PASADENA, CALIFORNIA

**LIGO**  
 CALIFORNIA INSTITUTE OF TECHNOLOGY  
 MASSACHUSETTS INSTITUTE OF TECHNOLOGY

LASER INTERFEROMETER  
 GRAVITATIONAL-WAVE OBSERVATORY  
 SITE NO. 1 - HANFORD, WASHINGTON

TITLE	ELECTRICAL CORNER STATION GROUNDING SCHEMATIC
SCALE	NONE
SHEET NUMBER	WA-E-402
PROJECT NUMBER	PP150969 8094

LIGO-D860423-00-0