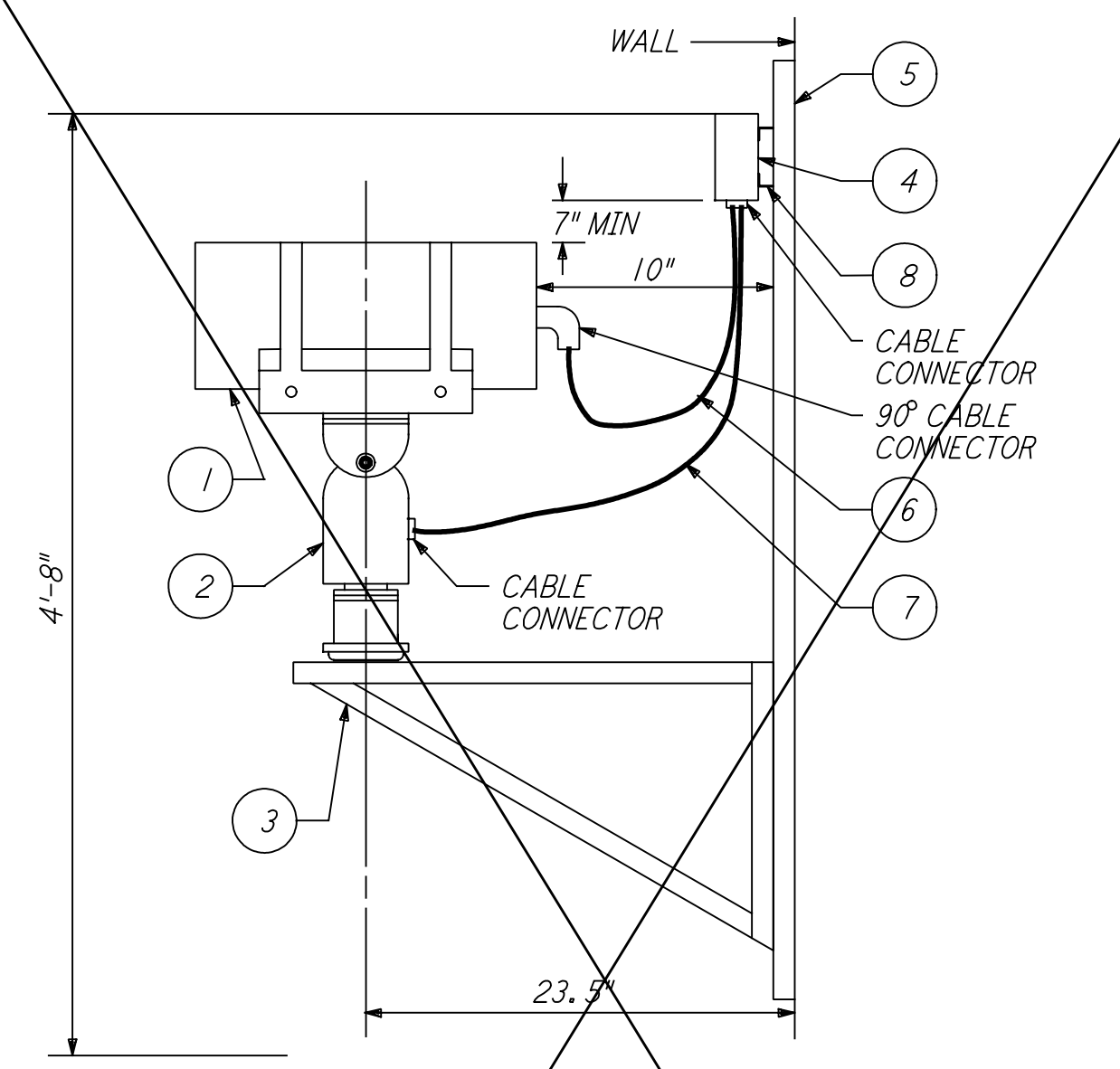


LIST OF MATERIAL

ITEM NO.	QTY	DESCRIPTION
1	1	RECEPT 115V, 20A, 2W-3P, MOUNTED IN A NEMA 3R ENCLOSURE
2	1	STEEL PLATE 1/4" X 7 1/2" X 8" GALV
3	2	BOLT, 1/4"-20 X 1" LG HEX HEAD
4	2	NUT, 1/4"-20
5	2	LOCKWASHER 1/4"
6	1	UNION 3/4"
7	AR	CONDUIT, 3/4" RIGID STEEL GALV OR EMT (AS NOTED ON PLAN)

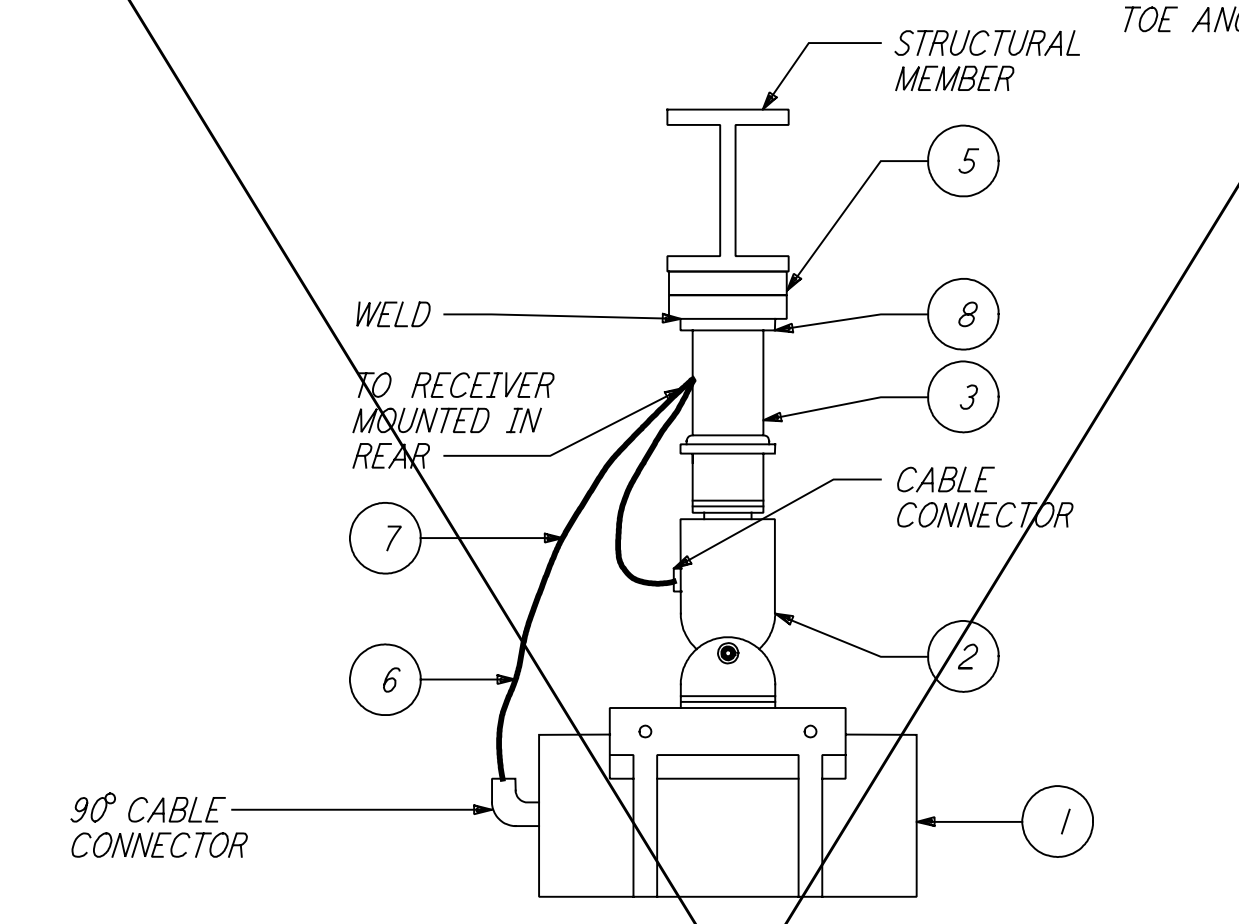
RECEPTACLE MOUNTED ON HANDRAIL (1) REF
 N. T. S.



LIST OF MATERIAL

ITEM NO.	QTY	DESCRIPTION
1	1	CAMERA WITH ZOOM LENS
2	1	PAN/TILT MECHANISM
3	1	MOUNTING BRACKET
4	1	RECEIVER UNIT
5	2	CHANNEL, 3" X 1 1/2" (LENGTH AS REQUIRED)
6	1	CAMERA CABLE
7	1	PAN/TILT CABLE
8	2	ANGLE IRON, 1 1/2" X 1 1/2" (WELD TO CHANNEL)

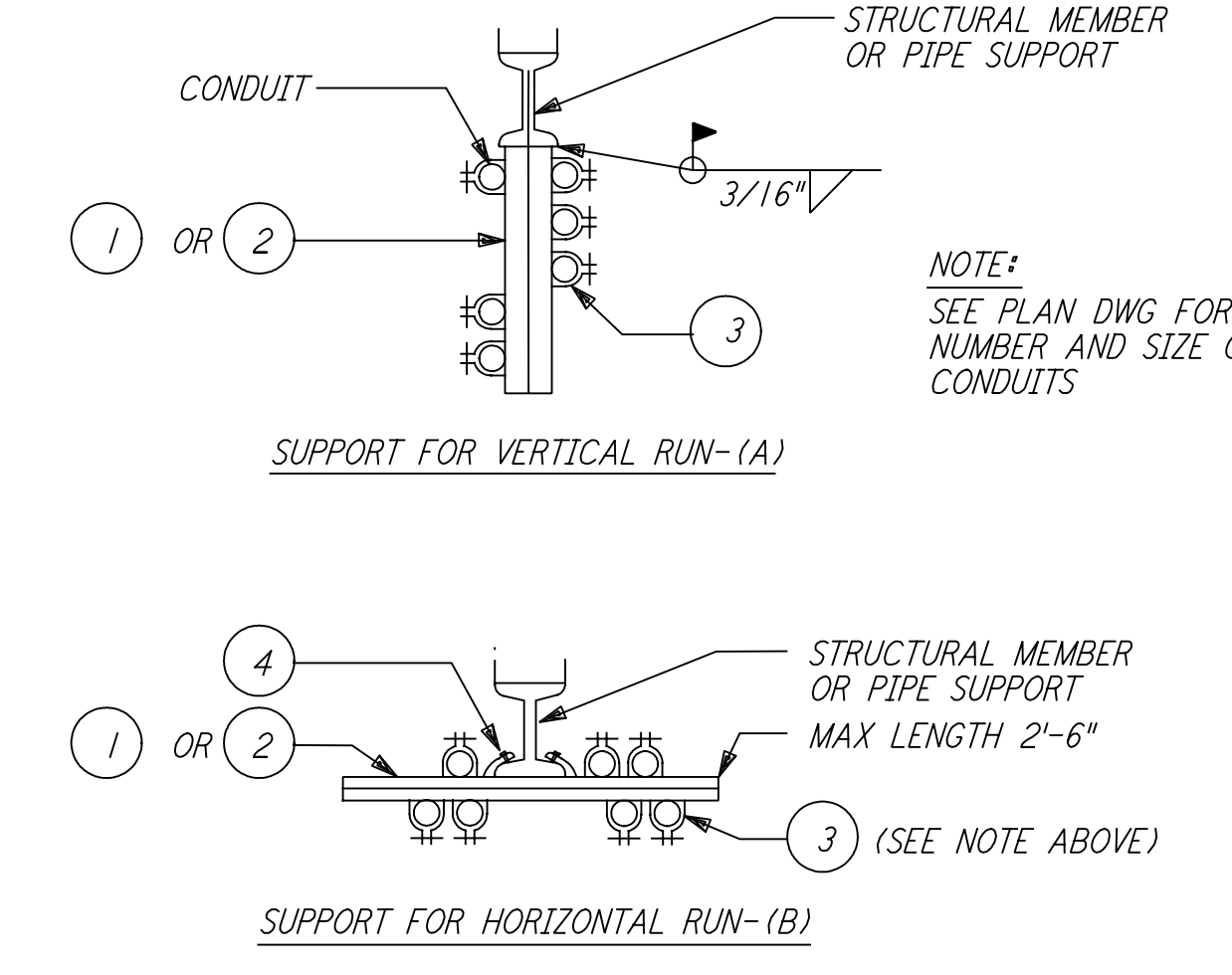
CAMERA MOUNTING ALONGSIDE A WALL (2) REF
 N. T. S.



LIST OF MATERIAL

ITEM NO.	QTY	DESCRIPTION
1	1	CAMERA
2	1	PAN/TILT MECHANISM
3	1	PENDANT SUPPORT
4	1	RECEIVER UNIT (NOT SHOWN)
5	2	CHANNEL, 3" X 1 1/2"
6	1	CAMERA CABLE
7	1	PAN/TILT CABLE
8	1	PLATE, STEEL GALVANIZED, 5" X 5" X 1/2"
9	1	RECEIVER MOUNT CHANNEL 3" X 1 1/2" (NOT SHOWN)

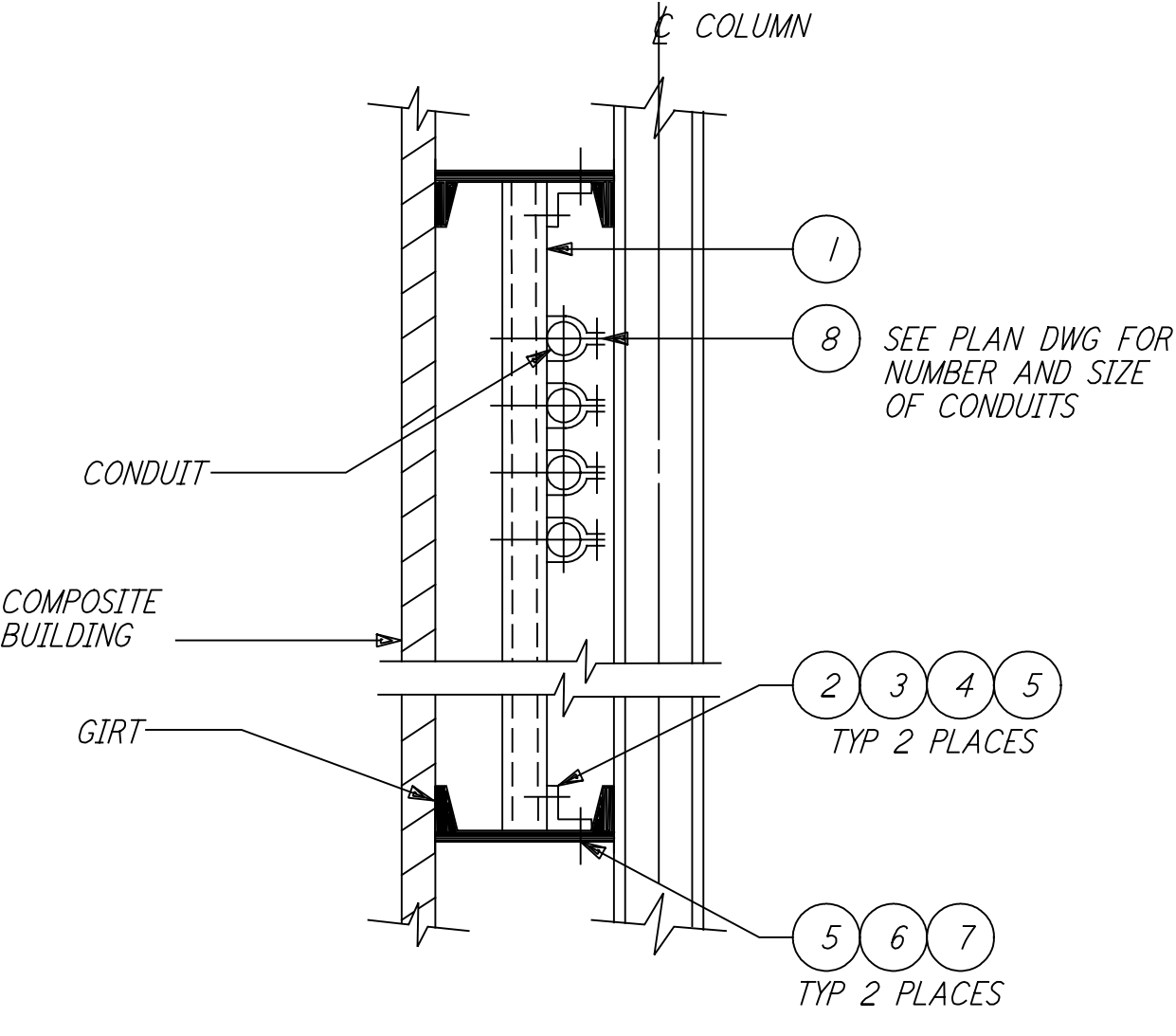
CAMERA MOUNTING CEILING MOUNTED (3) REF
 N. T. S.



LIST OF MATERIAL

ITEM NO.	QTY	DESCRIPTION
1	AR	PREFORMED CHANNEL 12 GAUGE STEEL, SEE NOTE 1
2	AR	CHANNEL 12 GAUGE STEEL, BACK-TO-BACK, SEE NOTE 1
3	AR	CONDUIT CHANNEL CLAMP
4	2	BEAM CLAMP

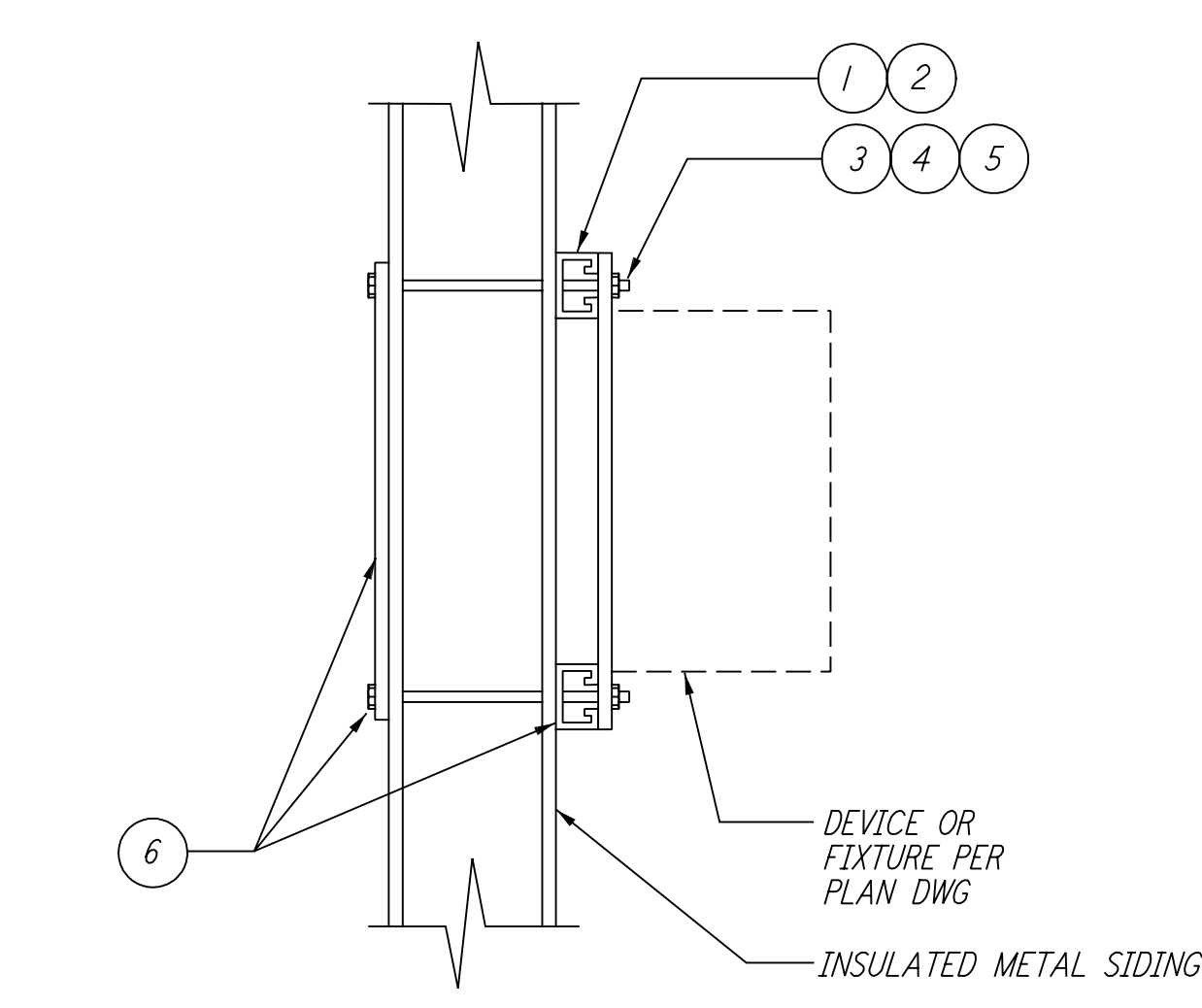
CONDUIT SUPPORT ON STEEL MEMBERS (4) REF
 N. T. S.



LIST OF MATERIAL

ITEM NO.	QTY	DESCRIPTION
1	AR	PREFORMED CHANNEL 12 GAUGE STEEL
2	2	ANGLE FITTING
3	4	SPRING NUT FOR CHANNEL
4	4	BOLT 3/8" - 16 X 1"
5	6	FLAT WASHER - 3/8"
6	2	BOLT 3/8" - 16 X 1 1/2"
7	2	NUT 3/8" - 16
8	AR	CONDUIT CHANNEL CLAMP

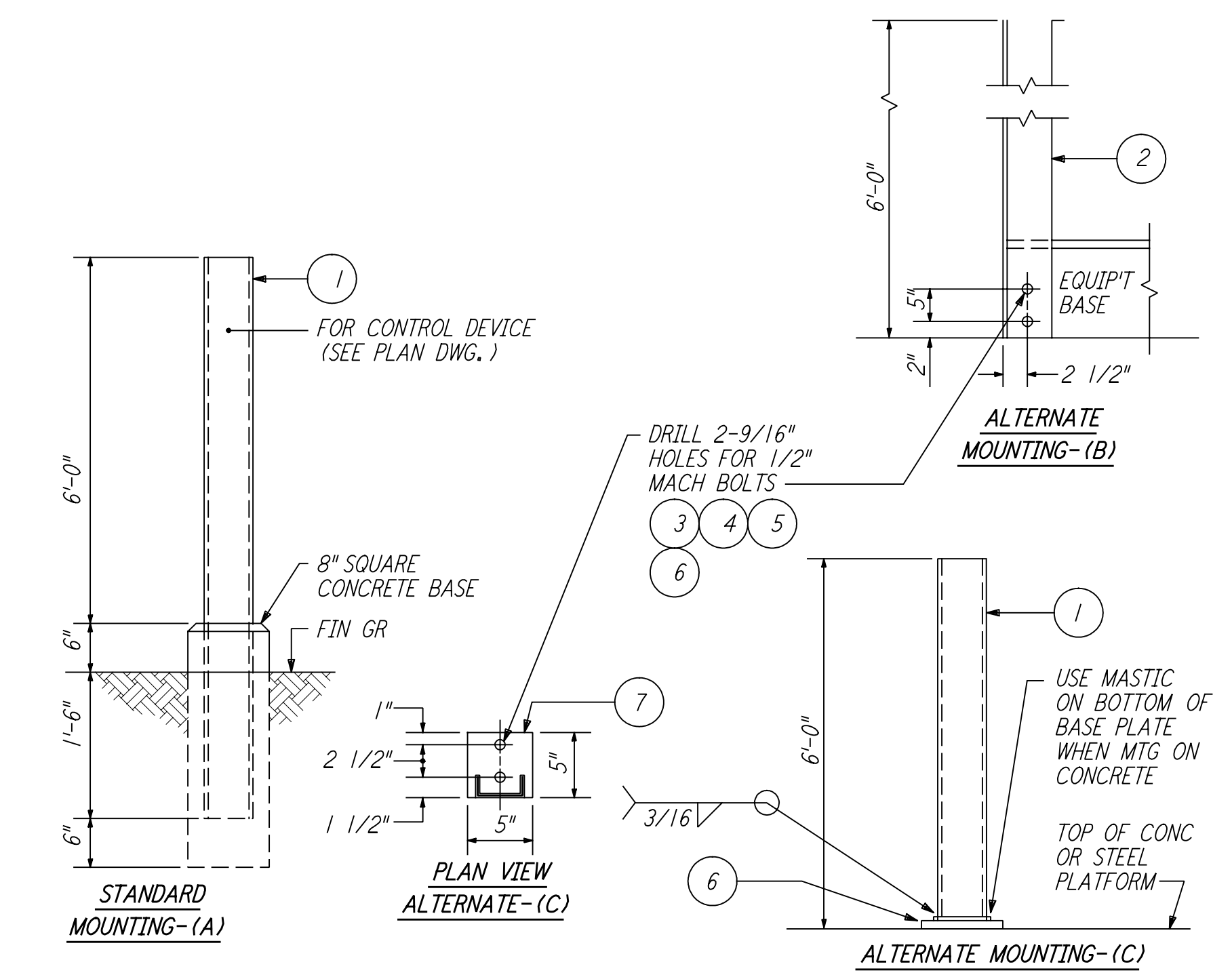
CONDUIT WALL SUPPORTED (EXTERIOR) (5) REF
 N. T. S.



LIST OF MATERIAL

ITEM NO.	QTY	DESCRIPTION
1	6'	CHANNEL, ELECTRO-GALV. 12GA. 1 3/8" X 1 3/8"
2	2	UNISTRUT P1000 CUT TO SUIT
3	4	PLATE, STEEL, ASTM A36-9 1/2" X 9 1/4" X 1/4"
4	4	ROD, STEEL, THREADED, 3/8" X LENGTH AS REQUIRED
5	4	WASHER, STEEL, GALV, FLAT, 3/8"
6	4	NUT, STEEL, GALV, HEX, 3/8"
7	1	SEALANT, ADHESIVE, ALL WEATHER, GE*RTV-13

METAL SIDING MOUNTING PLATE FOR ELECTRICAL DEVICES (6) REF
 N. T. S.



LIST OF MATERIAL

ITEM NO.	QTY	DESCRIPTION
1	AR	CHANNEL, 4" X 5.4 LBS HOT DIPPED GALV
2	AR	ANGLE BAR, 4" X 4" 1/4" HOT DIPPED GALV
3	2	CONCRETE ANCHOR, 1/2"-13 X 1 1/2" LG GALV
4	2	BOLT, 1/2"-13 X 1 1/2" LG HEX HD GALV
5	2	LOCKWASHER, 1/2" SPRING SST
6	1	COLD GALV., TUBE #2RC
7	1	PLATE, STEEL 1/2" X 5" X 5" GALV (WELD TO CHANNEL)

DEVICE MOUNTING STANCHION (7) REF
 N. T. S.

This document and the design it covers are the property of PARSONS. They are loaned only with the borrower's expressed written agreement that they will not be reproduced, copied, loaned, exhibited, or used in any other way, except by written consent from PARSONS to the borrower.

This document and the design it covers are the property of PARSONS. They are loaned only with the borrower's expressed written agreement that they will not be reproduced, copied, loaned, exhibited, or used in any other way, except by written consent from PARSONS to the borrower.

REV. NO.	DATE	BY	CHKD	ENGR	PROJ	DESCRIPTION
1	6-15-98	J. G.				ISSUED FOR AS-BUILT

AS-BUILT DRAWINGS

ISSUED FOR CONSTRUCTION	DRAWN	CHECKED	ENGINEER	PROJ
M. M.	J. K.	K. R.	M. D. W.	

PARSONS

100 WEST WALNUT STREET
 PASADENA, CALIFORNIA

LIGO

CALIFORNIA INSTITUTE OF TECHNOLOGY
 MASSACHUSETTS INSTITUTE OF TECHNOLOGY

LIGO-D960424-01-0

LASER INTERFEROMETER
 GRAVITATIONAL-WAVE OBSERVATORY
 SITE NO. I - HANFORD, WASHINGTON

ELECTRICAL DETAILS

SCALE: NONE
 SHEET NUMBER: PPI50969
 PROJECT NUMBER: 8094

WA-E-404