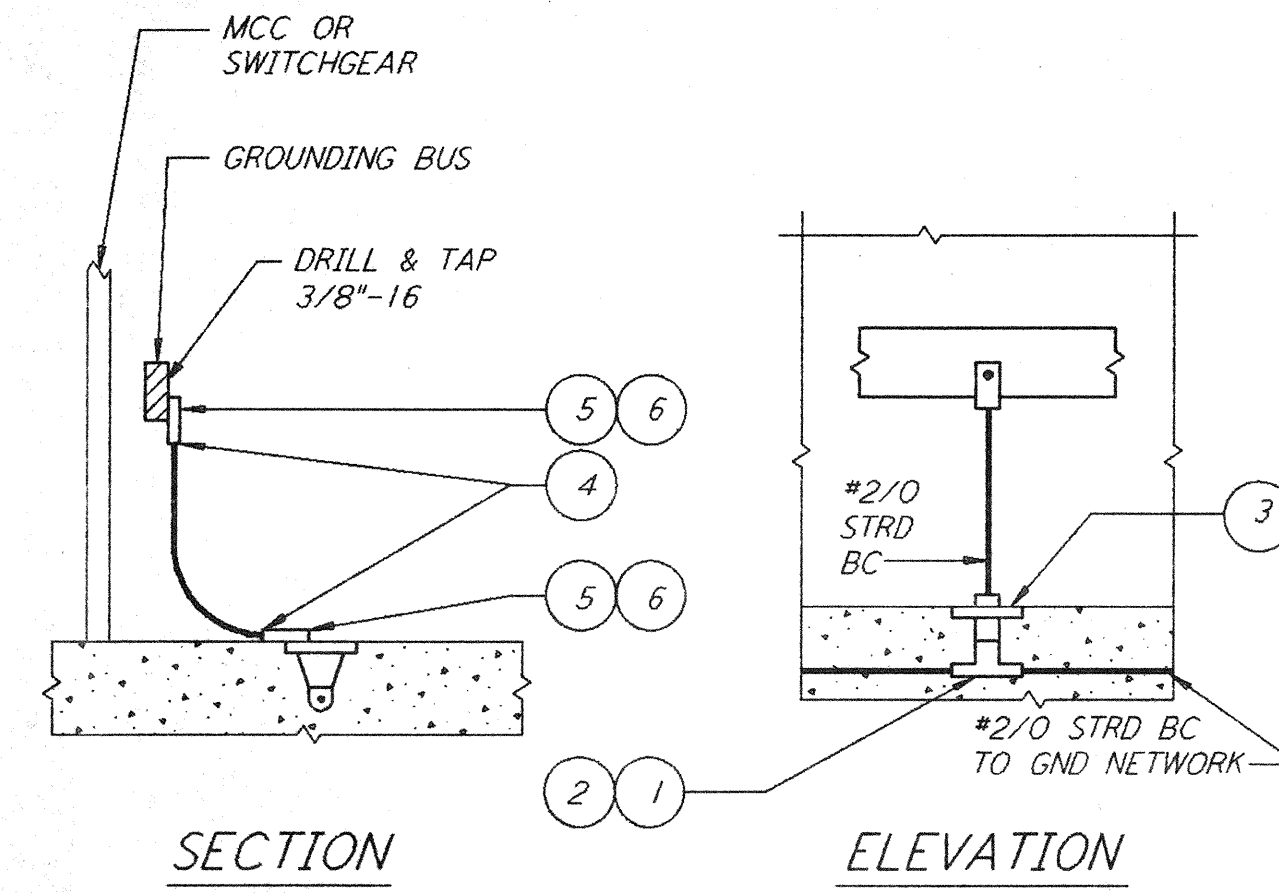


LIST OF MATERIAL

ITEM NO.	QTY	DESCRIPTION
1	1	SERVIT POST, #2-#2/0 WIRES, BURNDY K2C26
2	1	CONNECTOR, TWO #4-#2/0 WIRE FLAT BAR, BURNDY TYPE GCM26 (LONGER BOLT AS REQ'D)

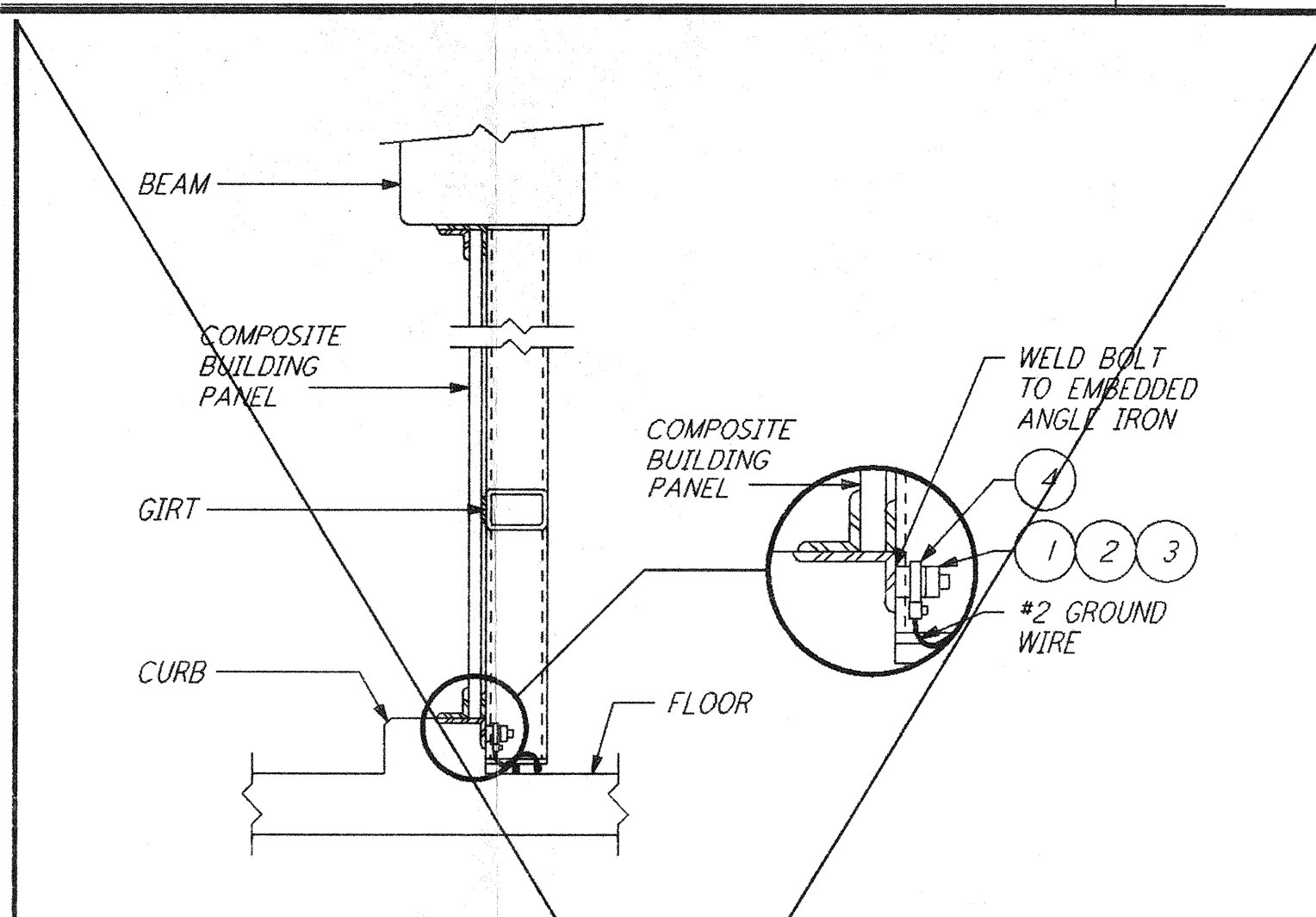
MOTOR GROUNDING (1) REF
 N. T. S.



LIST OF MATERIAL

ITEM NO.	QTY	DESCRIPTION
1	AR	MOLD HORIZONTAL TEE, #4/0-#4/0 WIRE
2	1	CARTRIDGE, STANDARD POWDER 150 GRAMS
3	1	FLUSH PLATE, #4/0 WIRE SIZE, 3/8" TAPPED
4	2	LUG, #1/0-#2/0 WIRE x 3/8" BOLT
5	2	SILICONE-BRONZE BOLT, 3/8"-16 x 3/4" LONG
6	2	SILICONE-BRONZE LOCKWASHER SPRING 3/8"

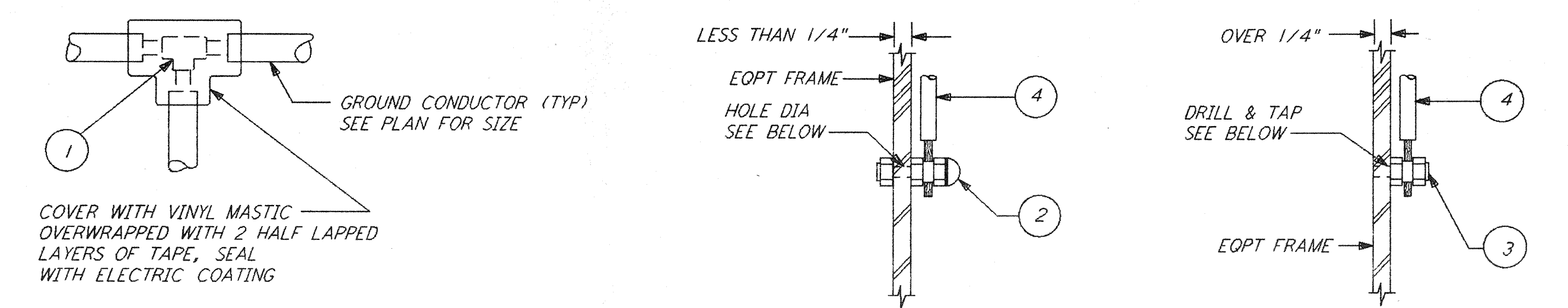
SWITCHGEAR OR CONTROL PANEL GROUNDING (2) REF
 N. T. S.



LIST OF MATERIAL

ITEM NO.	QTY	DESCRIPTION
1	1	BOLT, 3/8"-16 x 1", HEX HEAD STAINLESS STEEL
2	1	LOCKWASHER, 3/8", STAINLESS STEEL
3	1	NUT, 3/8"-16, STAINLESS STEEL
4	1	LUG, BOLTED CLAMP TYPE, BRONZE

COMPOSITE BUILDING PANEL GROUNDING (3) REF
 N. T. S.



TYPE	WIRE SIZE	HOLE DIA.
A	#4/0	#4/0
B	#4/0	#2/0
C	#4/0	#2
D	#2	#2
E	#2	#4
F	#2/0	#2/0
G	#2/0	#2
H	#1/0	#1/0

WIRE TO WIRE THERMAL CONNECTION
 *A

TYPE	WIRE SIZE	HOLE DIA.
A	#8-#2	7/16"

BOLTED CONNECTION
 *B

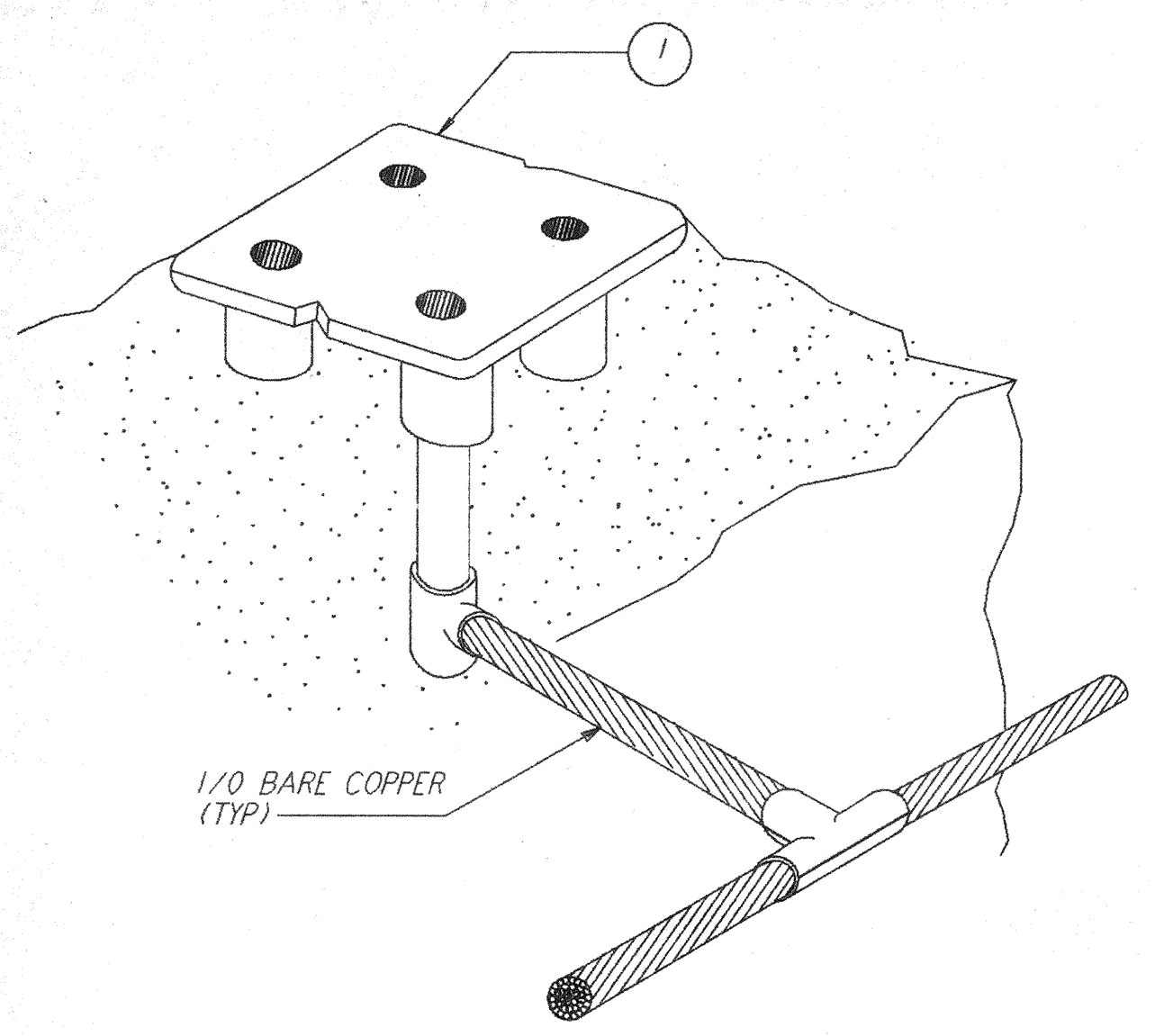
TYPE	WIRE SIZE	TAPPED HOLE
A	#8-#2	3/8"-16
B	#2-#2/0	1/2"-13

TAPPED CONNECTION
 *C

LIST OF MATERIAL

ITEM NO.	QTY	DESCRIPTION
1	1	THERMAL WELD, GROUND, SIZE AS REQUIRED
2	1	GROUND CONNECTOR, CABLE TO BAR, SIZE AS REQUIRED
3	1	GROUND POST, SIZE AS REQUIRED
4	AR	TYPE "TW" INSULATED GREEN GROUND WIRE (UNLESS OTHERWISE NOTED)

GROUNDING CONNECTIONS (4*) REF
 N. T. S.



LIST OF MATERIAL

ITEM NO.	QTY	DESCRIPTION
1	1	GROUND PLATE, FLUSH, CADWELD #B16420

FLUSH FLOOR GROUND PLATE (5) REF
 N. T. S.

REFERENCES	REVISIONS	ISSUED FOR CONSTRUCTION					LASER INTERFEROMETER GRAVITATIONAL-WAVE OBSERVATORY SITE NO. 1 - HANFORD, WASHINGTON					
		DRAWN	M. M.					6-25-96	SCALE	NONE	CONTRACT NUMBER	PP150969
DRAWING NO.		DESCRIPTION	NO.	DATE	BY	CHK'D	ENGR	PROJ	DESCRIPTION	SHEET NUMBER	WA-E-405	REVISIONS
5												

100 WEST WALNUT STREET
 PASADENA, CALIFORNIA

CALIFORNIA INSTITUTE OF TECHNOLOGY
 MASSACHUSETTS INSTITUTE OF TECHNOLOGY

LIGO-D960425-00-0
 LIGOWAF_BDR

This document and the design it covers are the property of PARSONS. They are loaned only with the borrower's expressed written agreement that they will not be reproduced, copied, loaned, exhibited, or used in any other way, except by written consent from PARSONS to the borrower.