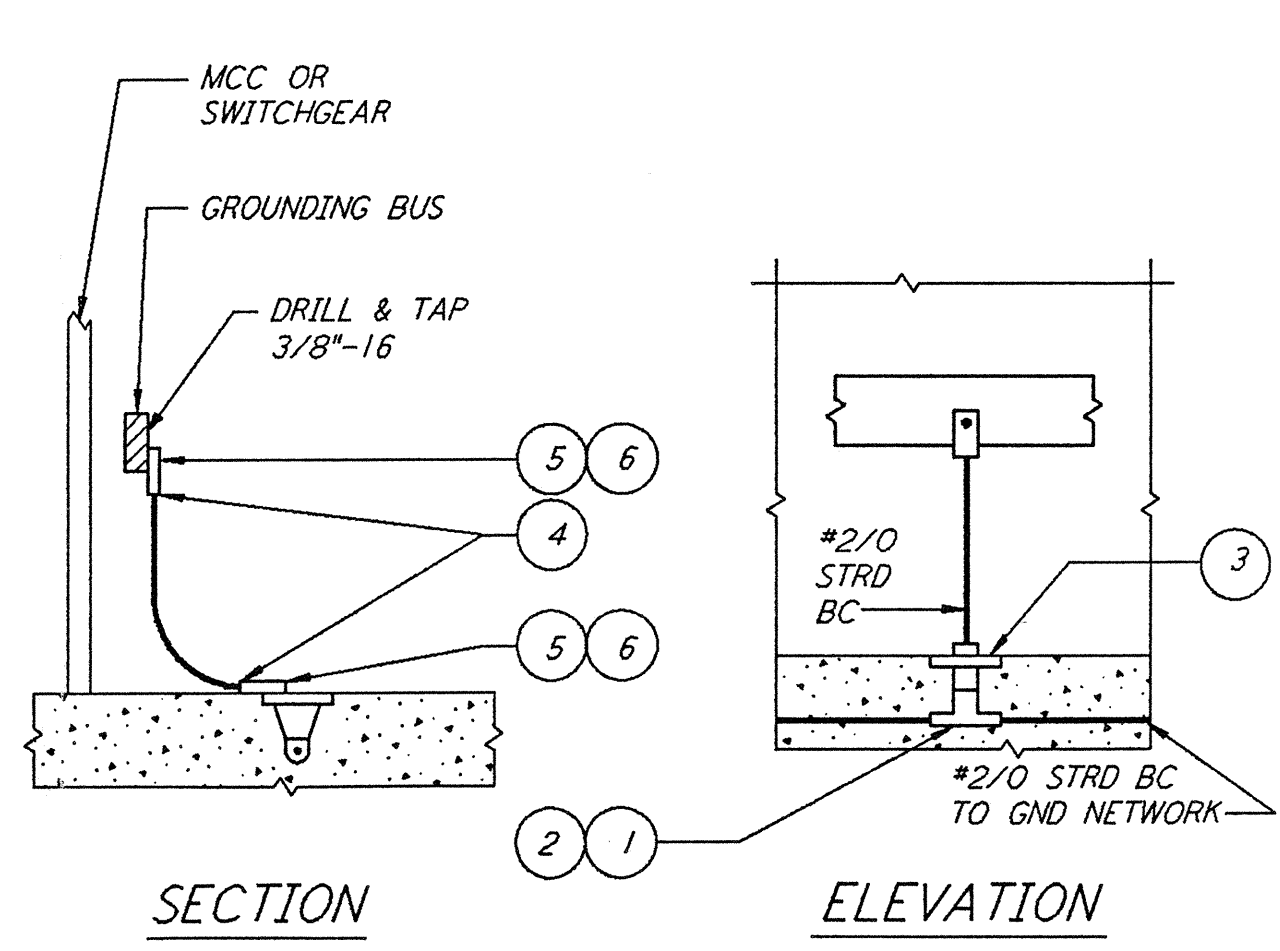


LIST OF MATERIAL

ITEM NO.	QTY	DESCRIPTION
1	1	SERVIT POST, #2-#2/0 WIRES, BURNDY K2C26
2	1	CONNECTOR, TWO #4-#2/0 WIRE FLAT BAR, BURNDY TYPE GCM26 (LONGER BOLT AS REQ'D)

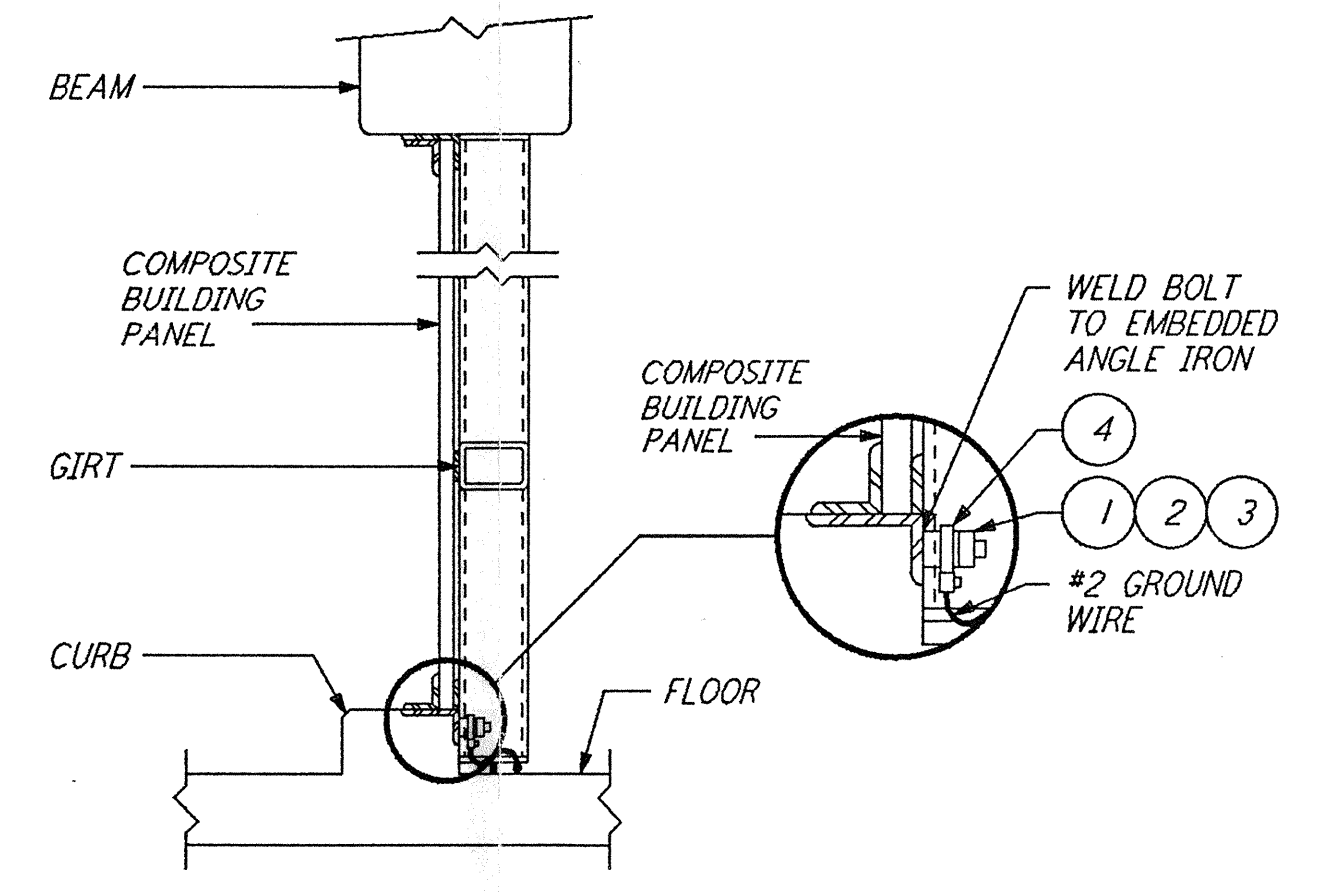
MOTOR GROUNDING (1) REF  
 N. T. S.



LIST OF MATERIAL

ITEM NO.	QTY	DESCRIPTION
1	AR	MOLD HORIZONTAL TEE, #4/0-#4/0 WIRE
2	1	CARTRIDGE, STANDARD POWDER 150 GRAMS
3	1	FLUSH PLATE, #4/0 WIRE SIZE, 3/8\"/>
4	2	LUG, #1/0-#2/0 WIRE x 3/8\"/>
5	2	SILICONE-BRONZE BOLT, 3/8\"/>
6	2	SILICONE-BRONZE LOCKWASHER SPRING 3/8\"/>

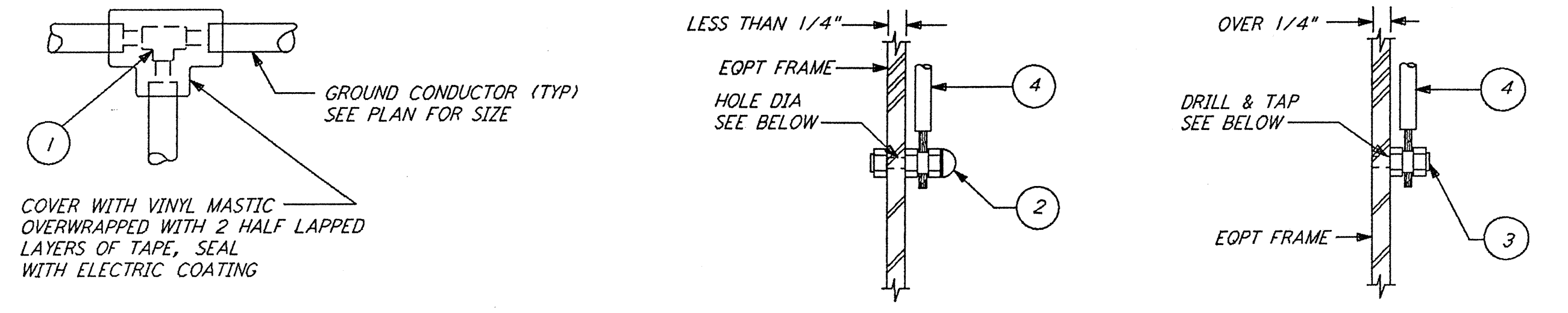
SWITCHGEAR OR CONTROL PANEL GROUNDING (2) REF  
 N. T. S.



LIST OF MATERIAL

ITEM NO.	QTY	DESCRIPTION
1	1	BOLT, 3/8\"/>
2	1	LOCKWASHER, 3/8\"/>
3	1	NUT, 3/8\"/>
4	1	LUG, BOLTED CLAMP TYPE, BRONZE

COMPOSITE BUILDING PANEL GROUNDING (3) REF  
 N. T. S.



COVER WITH VINYL MASTIC OVERWRAPPED WITH 2 HALF LAPPED LAYERS OF TAPE, SEAL WITH ELECTRIC COATING

TYPE	WIRE SIZE	RUN	TAP
A	#4/0	#4/0	#4/0
B	#4/0	#2/0	#2
C	#4/0	#2	#2
D	#2	#2	#2
E	#2	#4	#4
F	#2/0	#2/0	#2/0
G	#2/0	#2	#2
H	#1/0	#1/0	#1/0

WIRE TO WIRE  
 \*A THERMAL CONNECTION

TYPE	WIRE SIZE	HOLE DIA.
A	#8-#2	7/16\"/>

BOLTED CONNECTION \*B

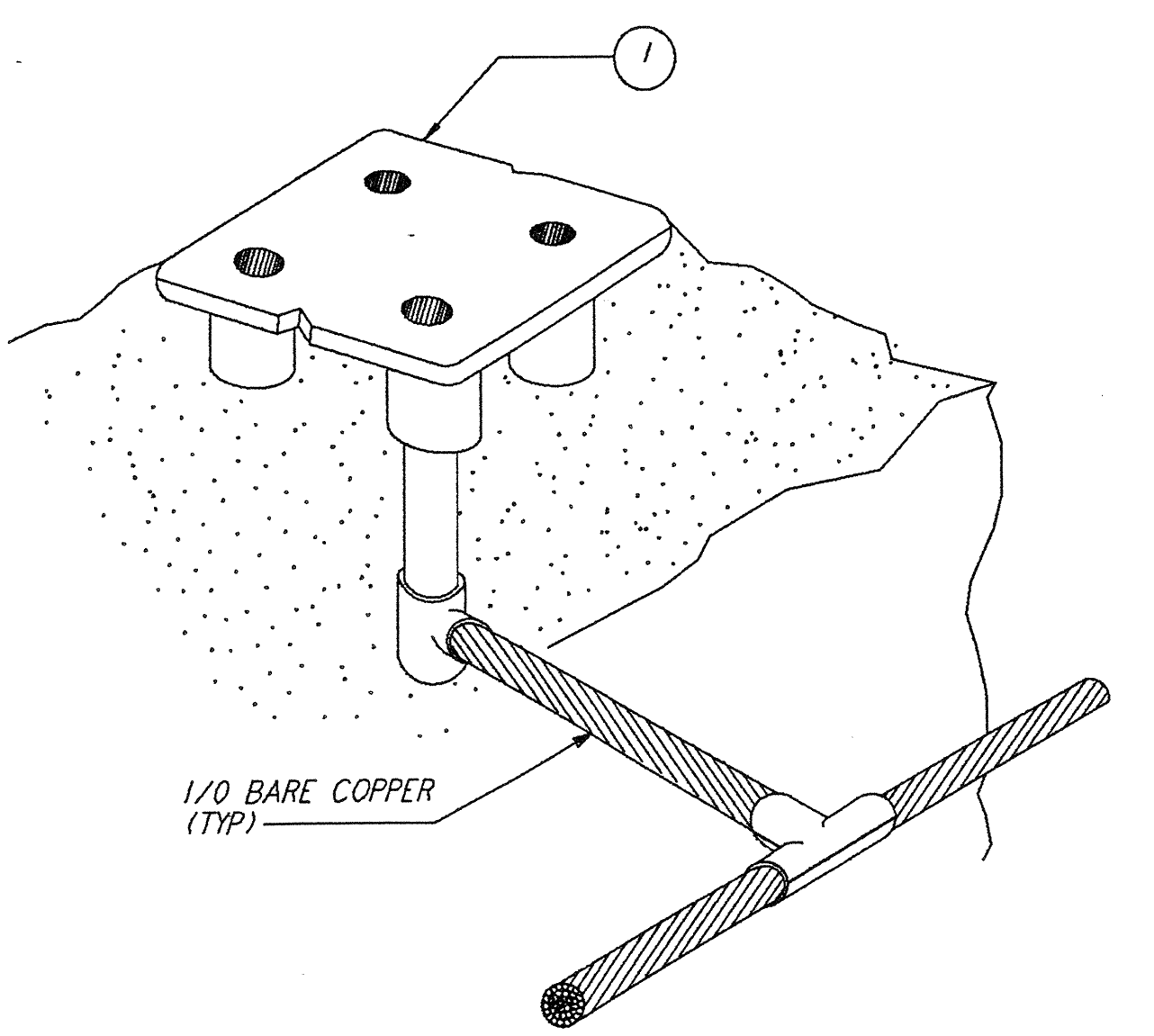
TYPE	WIRE SIZE	TAPPED HOLE
A	#8-#2	3/8\"/>
B	#2-#2/0	1/2\"/>

TAPPED CONNECTION \*C

LIST OF MATERIAL

ITEM NO.	QTY	DESCRIPTION
1	1	THERMAL WELD, GROUND, SIZE AS REQUIRED
2	1	GROUND CONNECTOR, CABLE TO BAR, SIZE AS REQUIRED
3	1	GROUND POST, SIZE AS REQUIRED
4	AR	TYPE *TW* INSULATED GREEN GROUND WIRE (UNLESS OTHERWISE NOTED)

GROUNDING CONNECTIONS (4\*) REF  
 N. T. S.



LIST OF MATERIAL

ITEM NO.	QTY	DESCRIPTION
1	1	GROUND PLATE, FLUSH, CADWELD #B16420

FLUSH FLOOR GROUND PLATE (5) REF  
 N. T. S.

NO.	DATE	BY	CHKD	ENGR	PROJ	DESCRIPTION
A	4-19-96	J.G.	VA	MDM		FINAL DESIGN REVIEW & BID

DRAWN	J. G.
CHECKED	
ENGINEER	
PROJ	

**PARSONS**  
 100 WEST WALNUT STREET  
 PASADENA, CALIFORNIA

**LIGO**  
 CALIFORNIA INSTITUTE OF TECHNOLOGY  
 MASSACHUSETTS INSTITUTE OF TECHNOLOGY

LASER INTERFEROMETER  
 GRAVITATIONAL-WAVE OBSERVATORY  
 SITE NO. 1 - HANFORD, WASHINGTON

TITLE	SCALE	CONTRACT NUMBER	PROJECT NUMBER
ELECTRICAL GROUNDING DETAILS SHEET 1	NONE	PP150969	8094
SHEET NUMBER	WA-E-405		REVISIONS
			A

LIGO-D960425-A-0

This document and the design it covers are the property of PARSONS. They are loaned only with the borrower's expressed written agreement that they will not be reproduced, copied, loaned, exhibited, or used in any other way, except by written consent from PARSONS to the borrower.

E  
D  
C  
B  
A