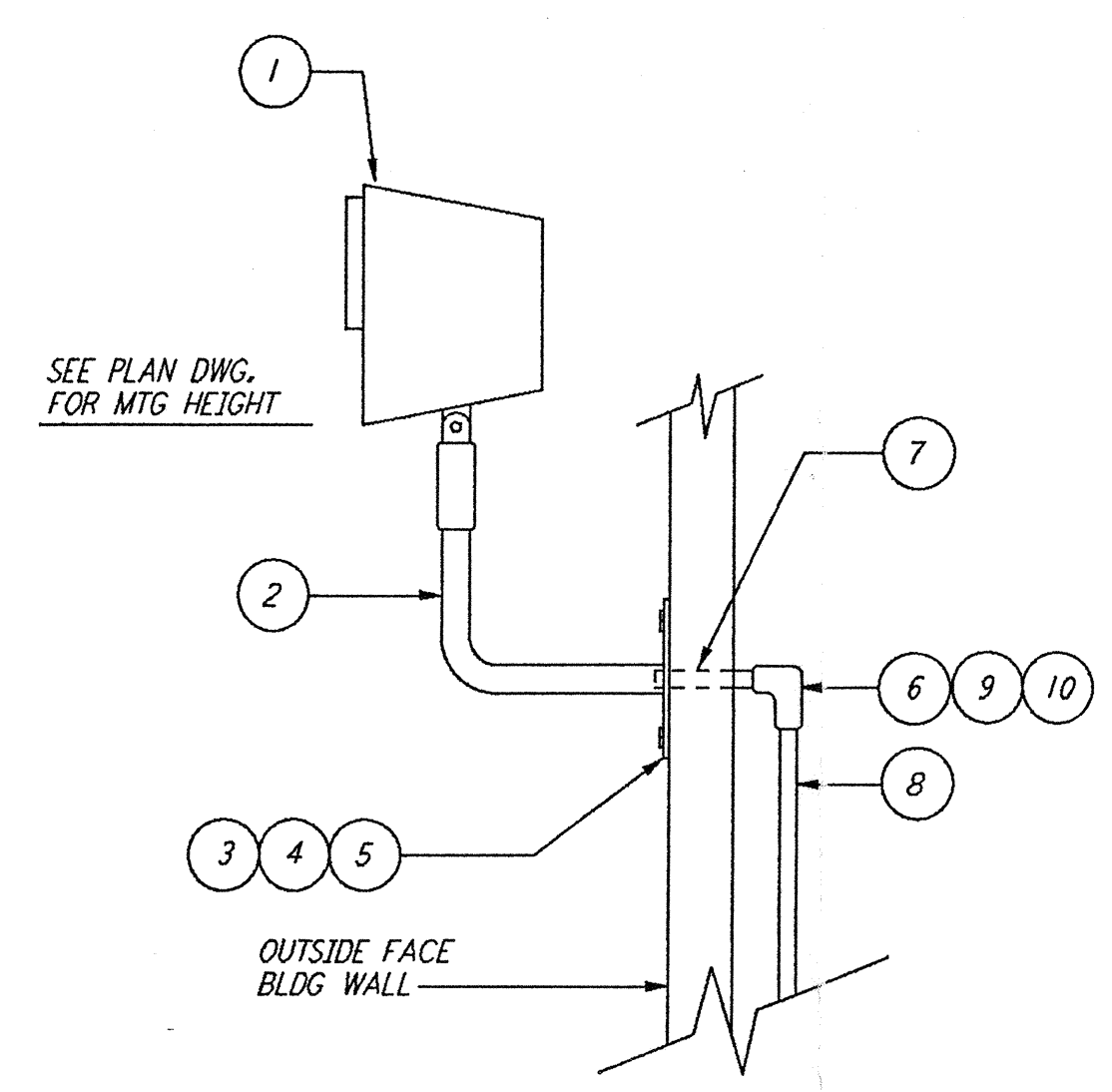


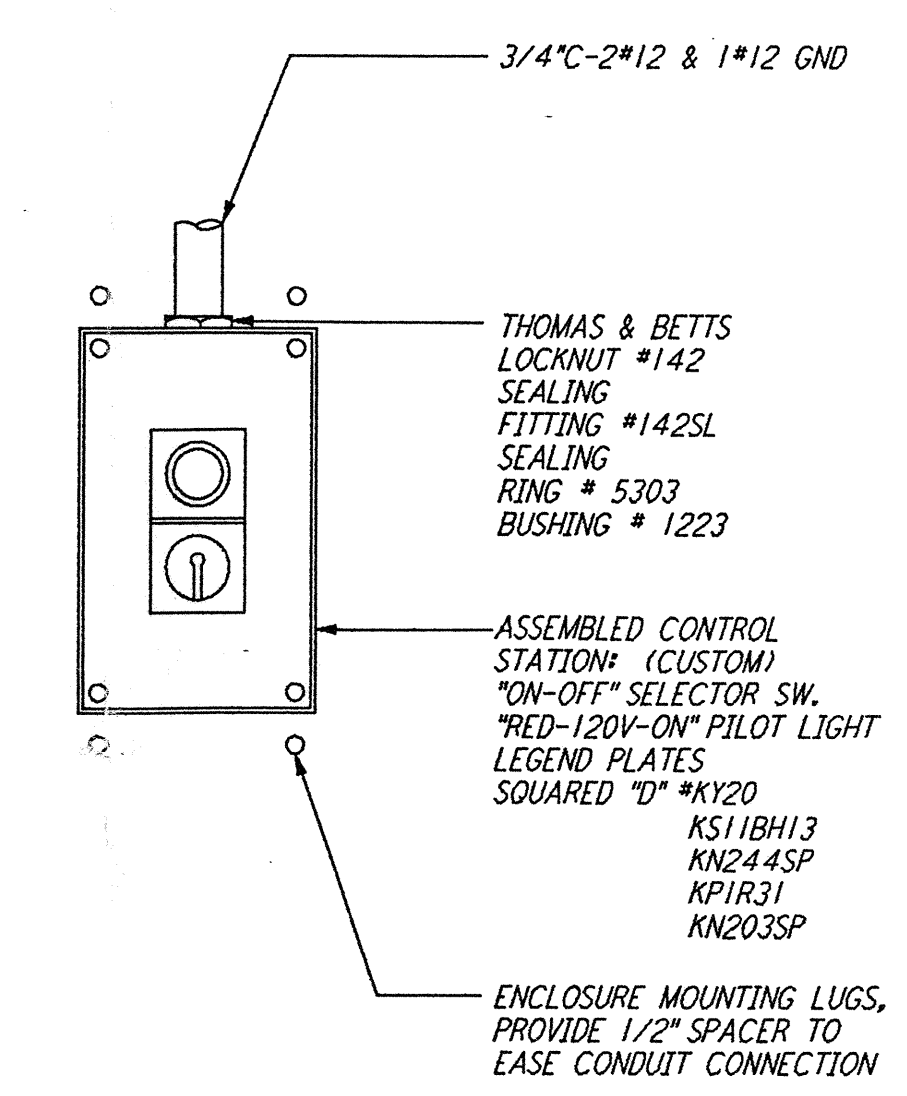
not be reproduced, copied, loaned, exhibited, or used in any other way, except by written consent from PARSONS to the borrower.

This document and the design it covers are the property of PARSONS. They are loaned only with the borrower's expressed written agreement that they will

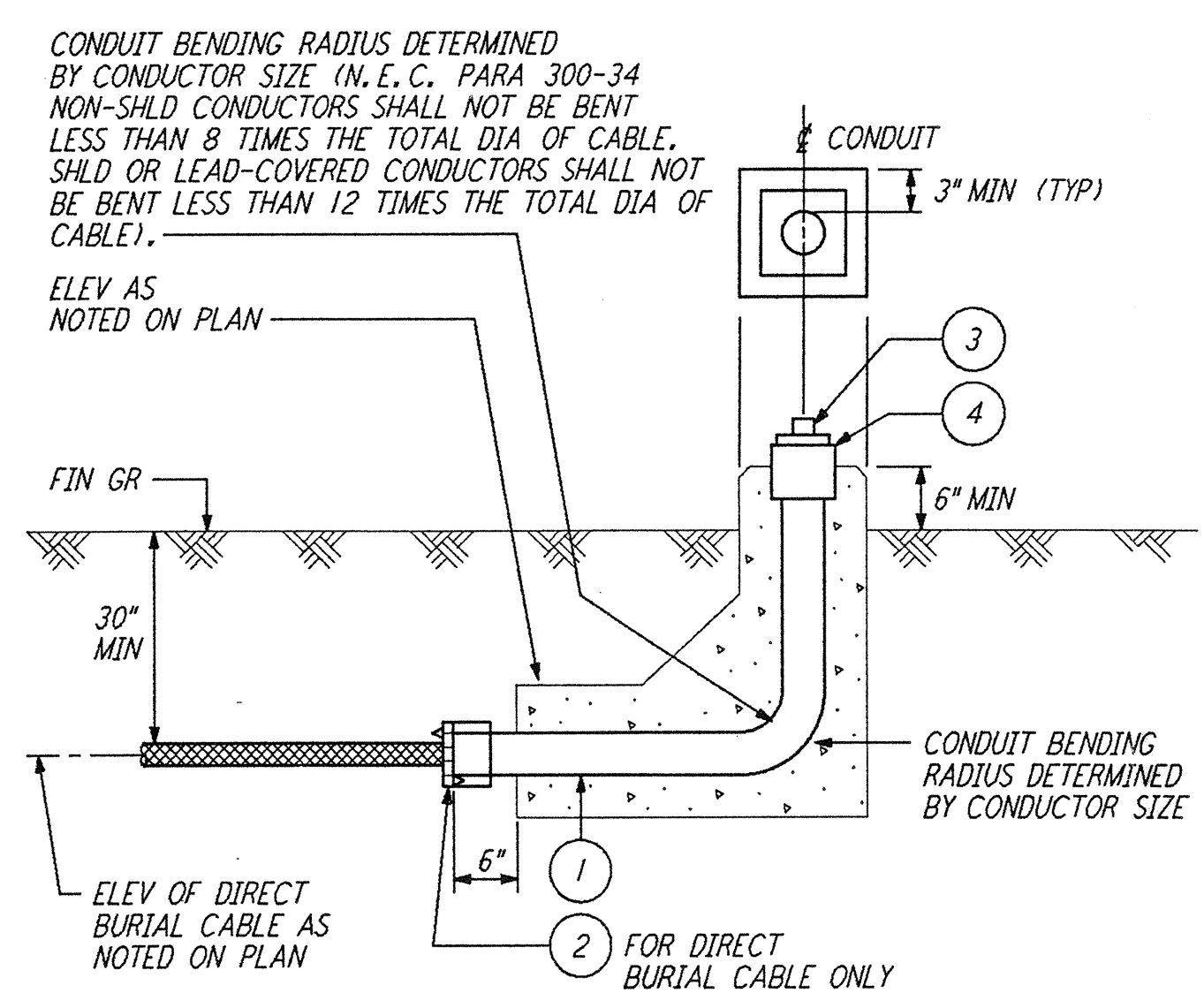


LIST OF MATERIAL		
ITEM NO.	QTY.	DESCRIPTION
1	1	LIGHTING FIXTURE-TYPE AS SPECIFIED ON PLAN
2	1	WALL MTO BRACKET FOR FLD LIGHT
3	4	BOLT HEX HEAD, 3/8"-16 X 1 1/2" LG GALV.
4	4	ANCHOR MASONARY 3/8"-16
5	4	LOCKWASHER SPRING 3/8" BOLT SST
6	1	CONDUIT FITTING 3/4"
7	AR	CONDUIT 3/4" RIGID STEEL GALV
8	AR	CONDUIT 3/4" RIGID STEEL GALV
9	1	CND FTG. COVER, CAST 3/4"
10	1	CND FTG. COVER GASKET, NEOPRENE, 3/4"

FLOODLIGHT MOUNTING DETAIL (2) REF.
 N. T. S.

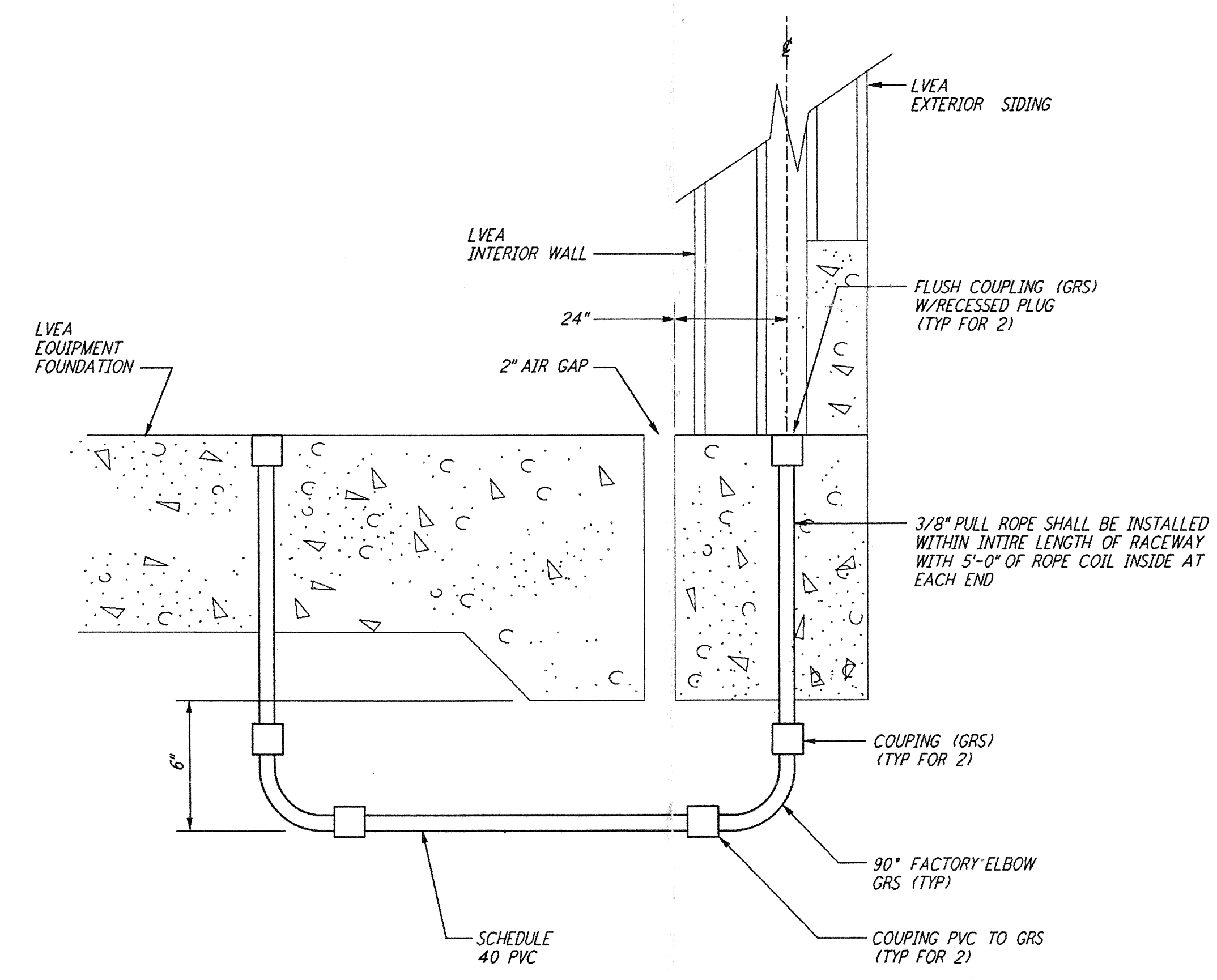


DETAIL (3) REF.
 N. T. S.



LIST OF MATERIAL		
ITEM NO.	QTY.	DESCRIPTION
1	AR	CONDUIT, RIGID GALVANIZED STEEL, SIZE PER PLAN
2	1	CONDUIT BUSHING, NON-INSULATED GALV, PER CONDUIT SIZE
3	1	PLUG, SO HD RIGID ALUM, PER CONDUIT SIZE
4	1	CONDUIT COUPLING, RIGID GALVANIZED STEEL, PER CONDUIT SIZE

CONDUIT STUB-UP (4) REF.
 N. T. S.



LVEA CONDUIT FLOOR RISER (5) REF.
 N. T. S.

NO.	DATE	BY	CHKD	ENGR	PROJ	DESCRIPTION
A	4-19-96	J.G.	JG	JG	TDM	FINAL DESIGN REVIEW & BID

DRAWN	J. G.
CHECKED	
ENGINEER	
PROJ	

PARSONS
 100 WEST WALNUT STREET
 PASADENA, CALIFORNIA

LIGO
 CALIFORNIA INSTITUTE OF TECHNOLOGY
 MASSACHUSETTS INSTITUTE OF TECHNOLOGY

LASER INTERFEROMETER
 GRAVITATIONAL-WAVE OBSERVATORY
 SITE NO. 1 - HANFORD, WASHINGTON

TITLE	SCALE	CONTRACT NUMBER	PROJECT NUMBER
ELECTRICAL SECTIONS AND DETAILS	NONE	PP150969	8094
SHEET NUMBER	WA-E-409		REVISIONS

LIGO-D960429-B-0
 LIGOWAF.BDR