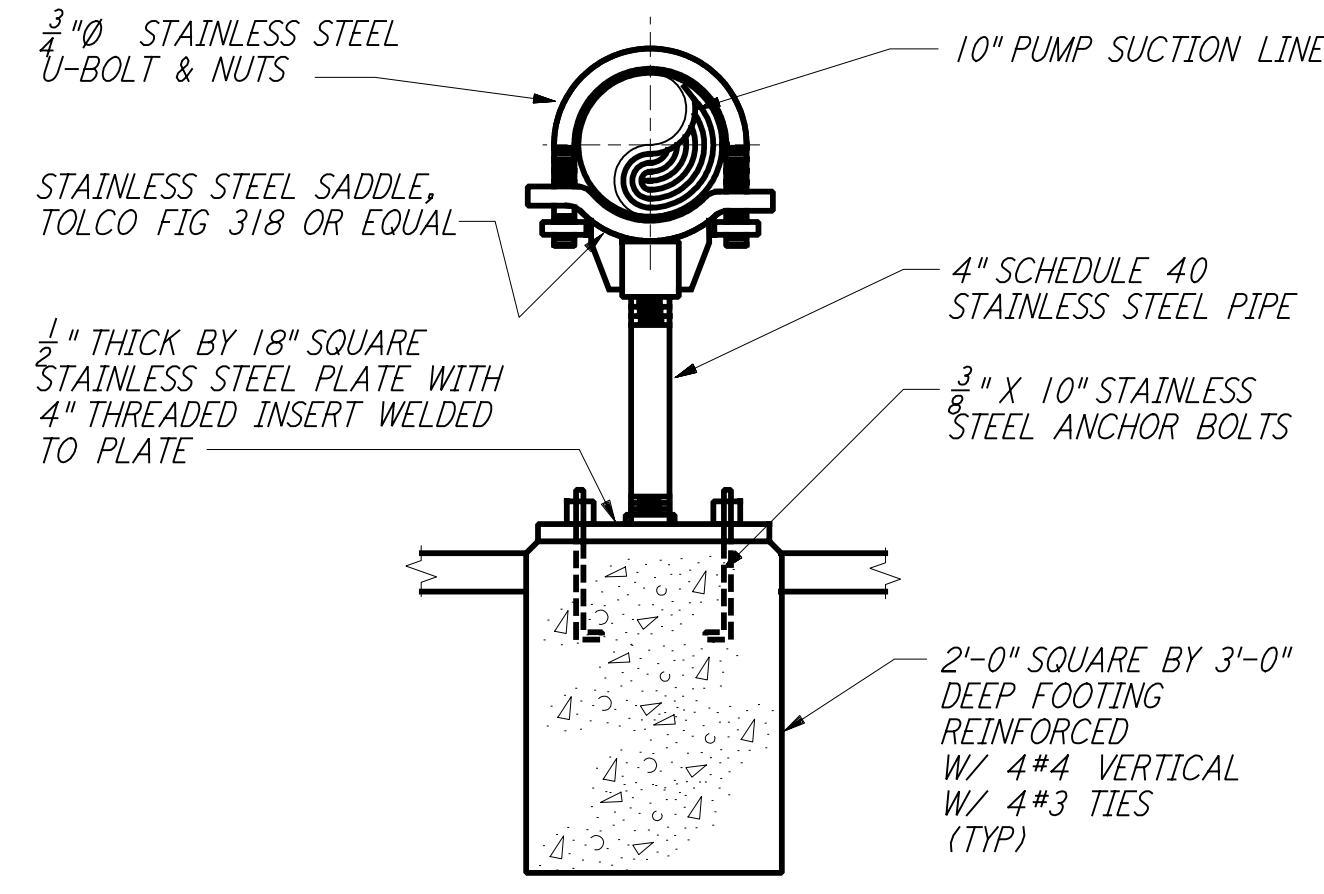
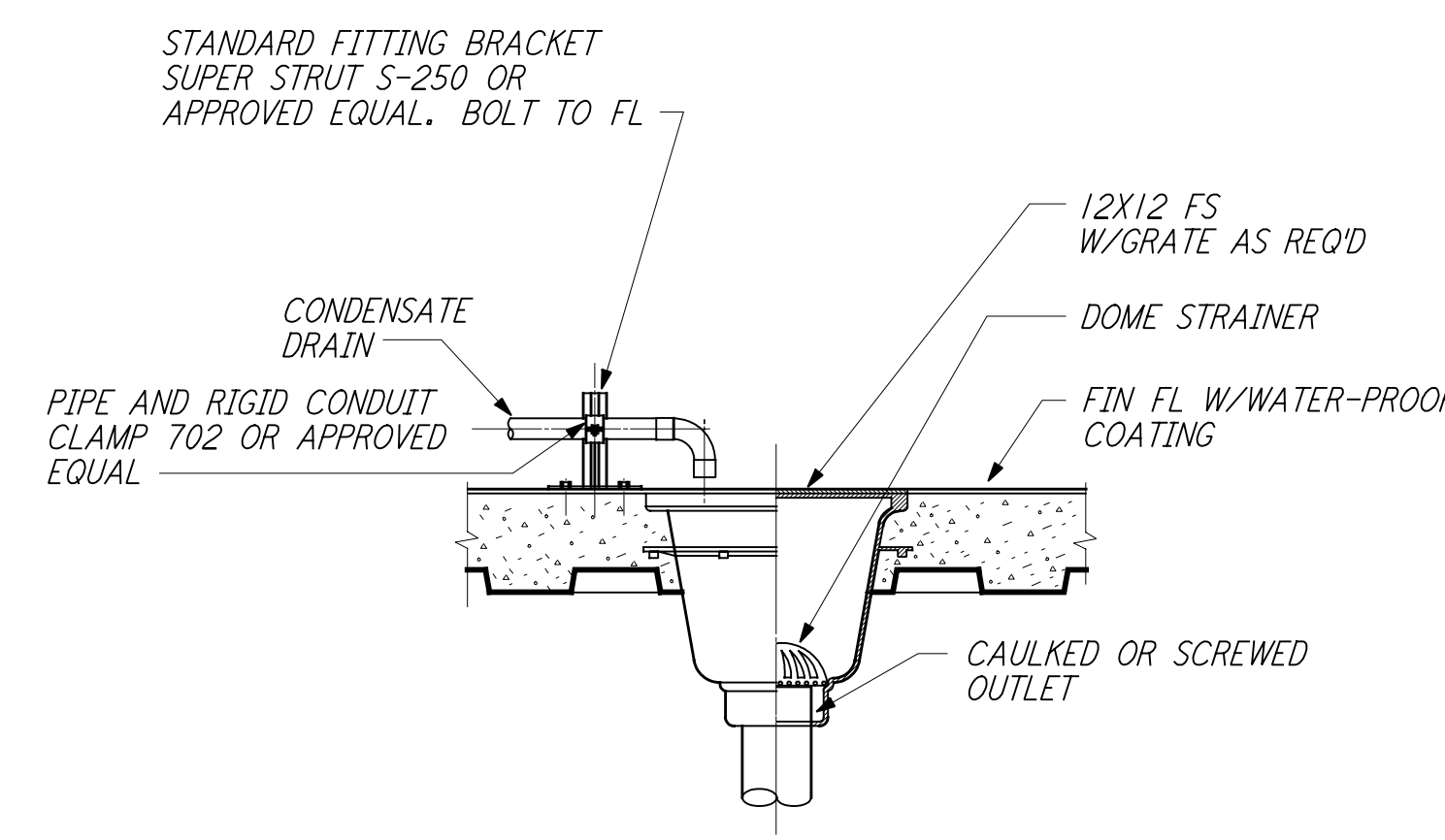


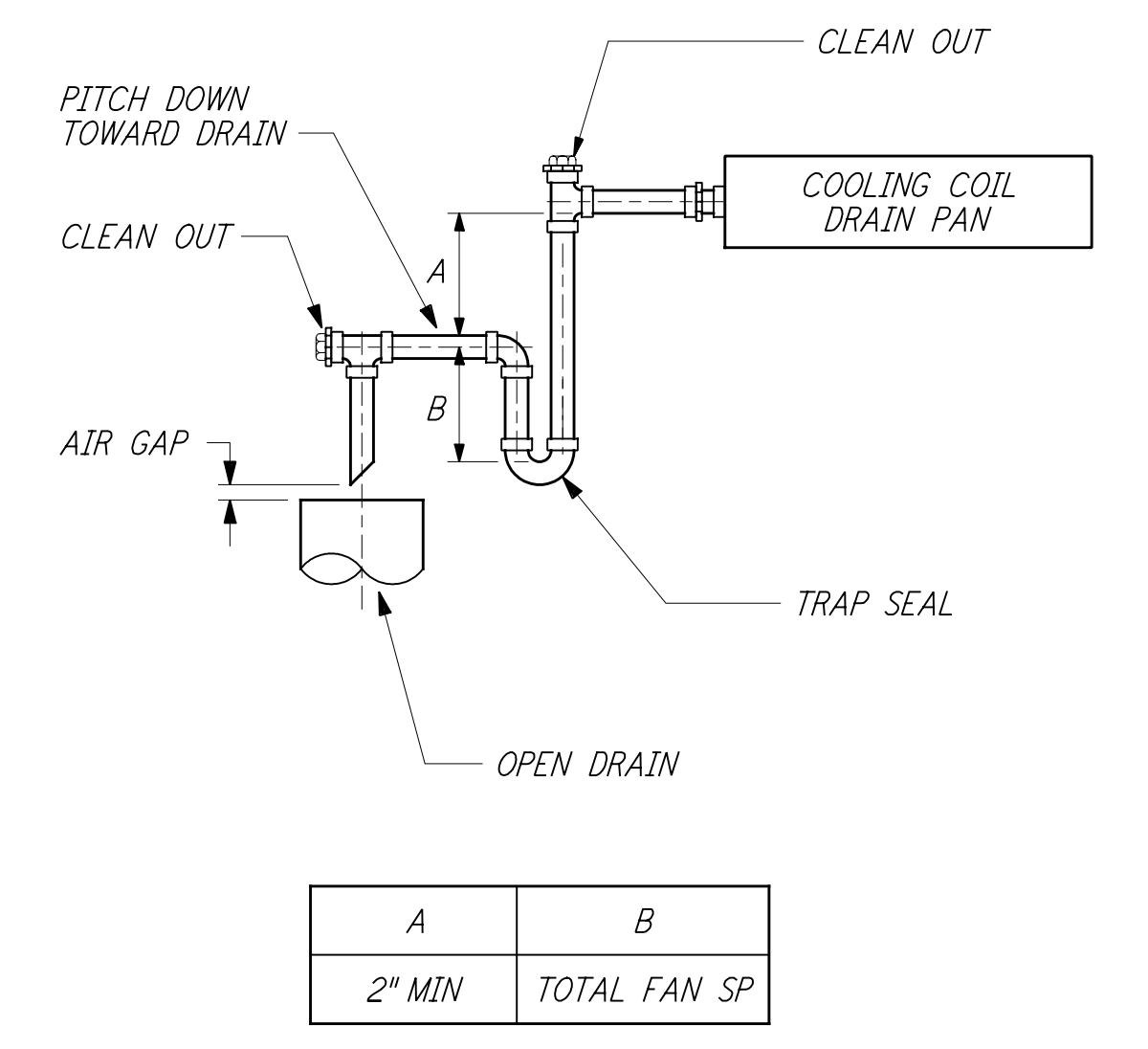
PIPE SUPPORT DETAIL 1 REF
 NTS WA-P-411



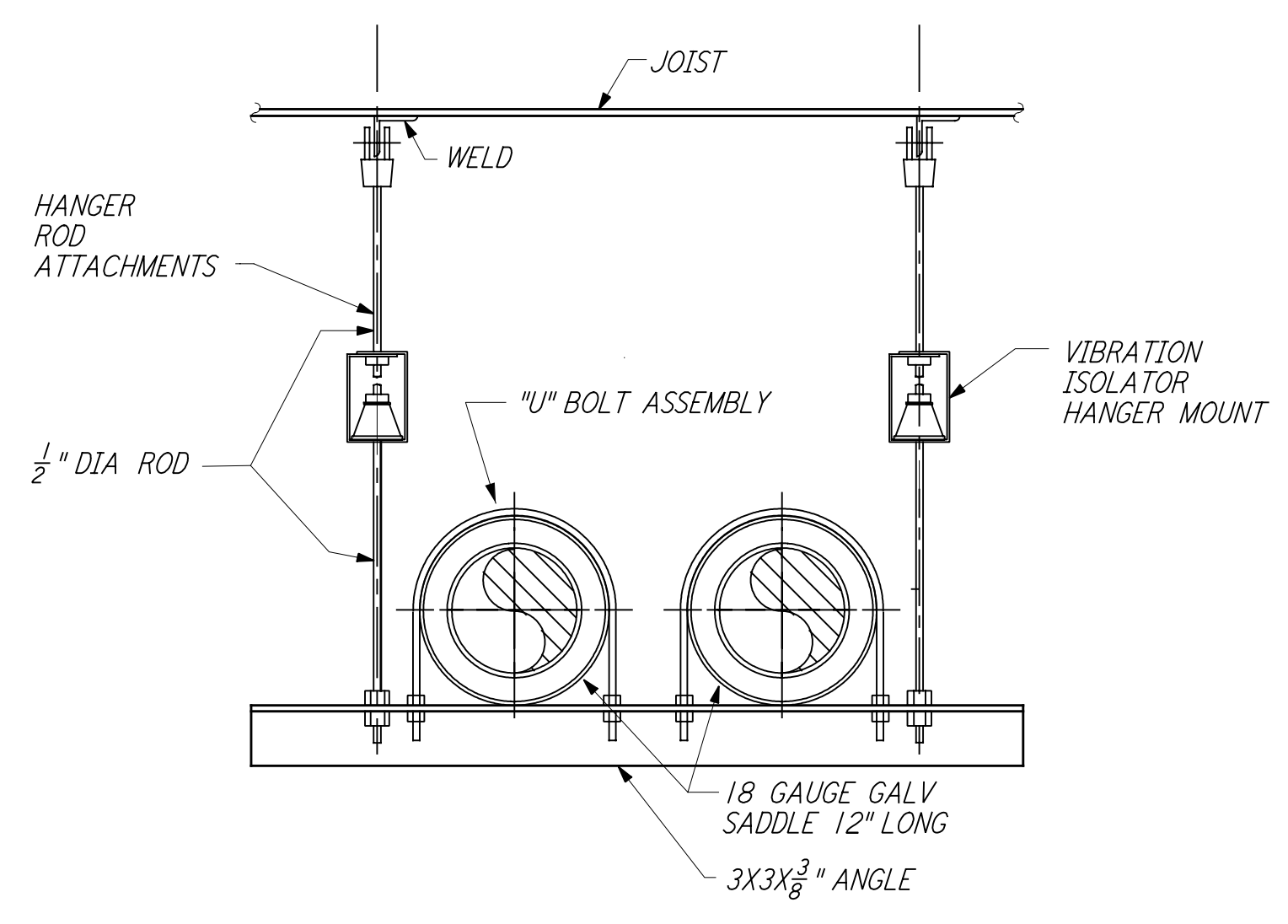
PIPE SUPPORT DETAIL 2 REF
 NTS WA-P-411



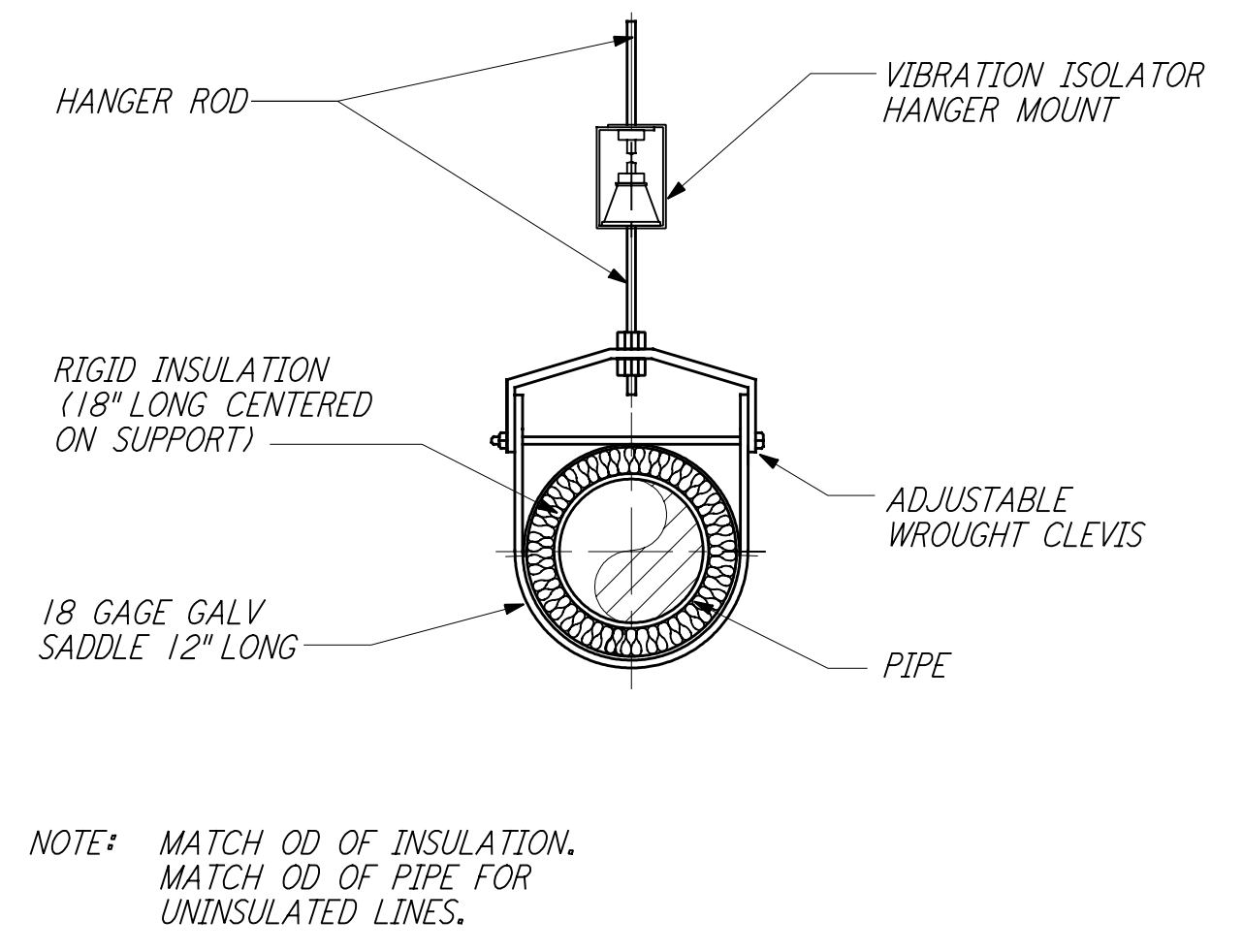
FLOOR SINK DETAIL 3 REF
 NTS WA-P-411



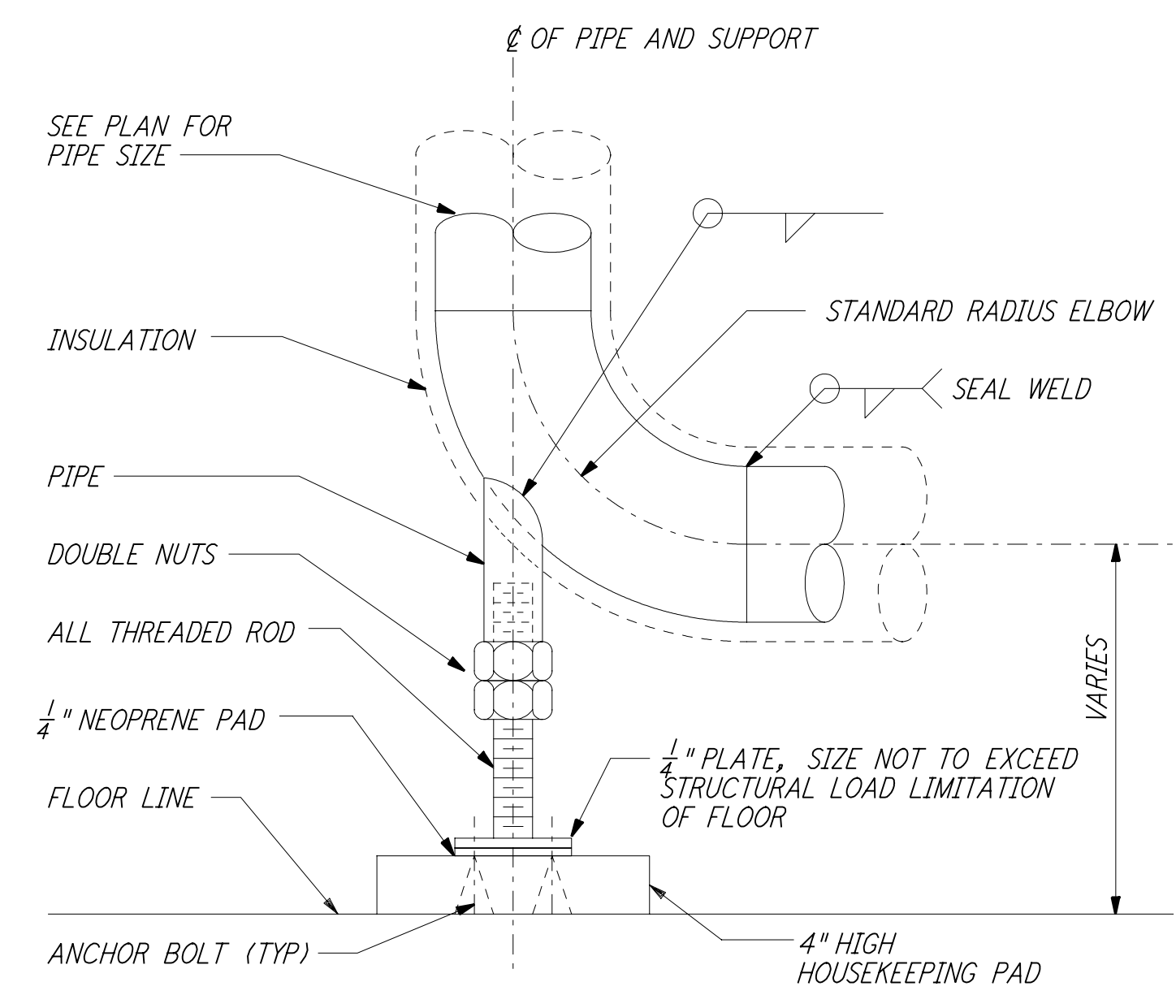
CONDENSATE DRAIN DETAIL 4 REF
 NTS WA-P-411



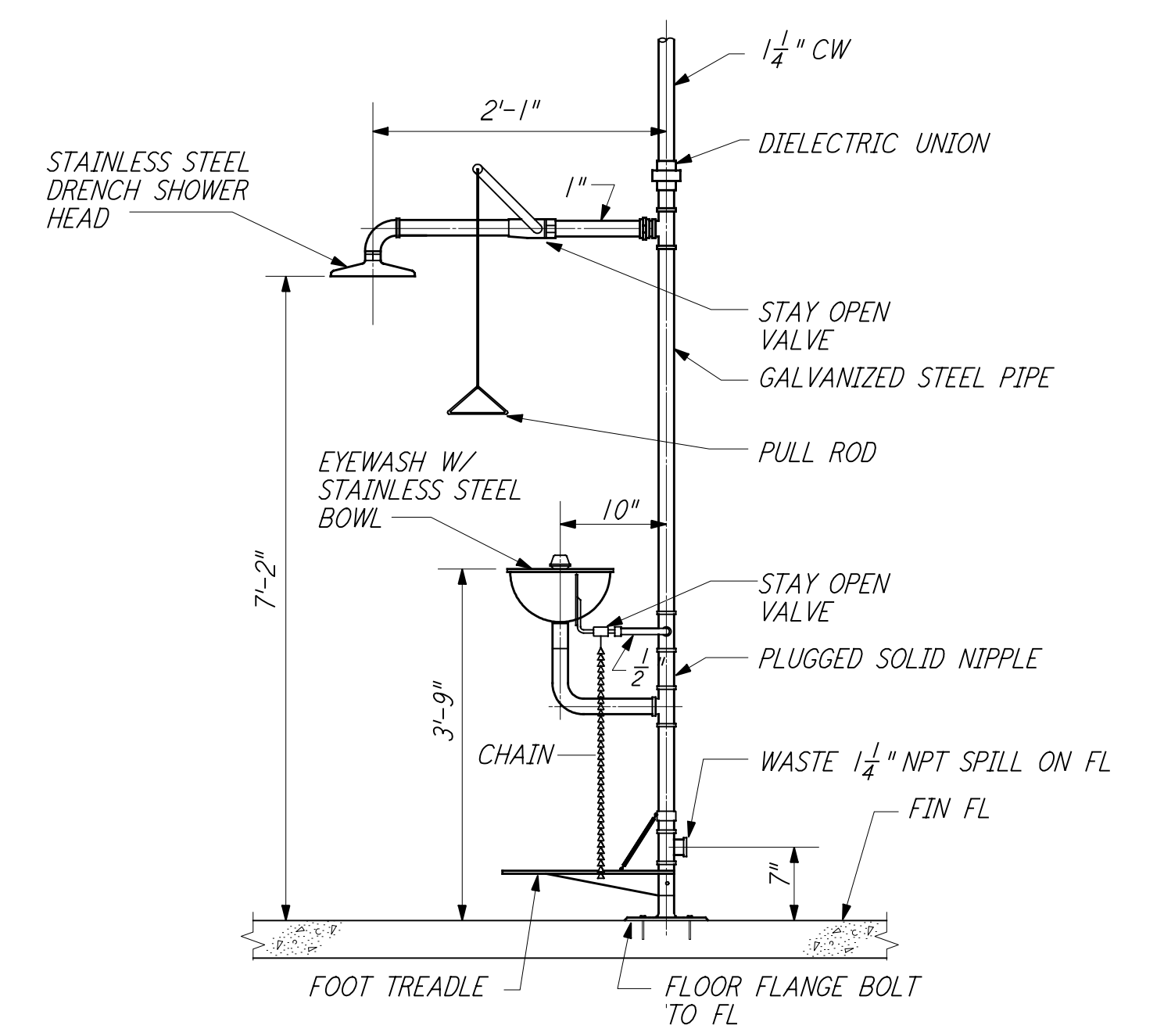
PIPE HANGER - TRAPEZE DETAIL 5 REF
 NTS WA-P-411



PIPE HANGER DETAIL - SINGLE PIPE 6 REF
 NTS WA-P-411



BASE ELBOW SUPPORT DETAIL 7 REF
 NTS WA-P-411



EMERGENCY SHOWER AND EYE WASH DETAIL 8 REF
 NTS WA-P-411

This document and the design it covers are the property of PARSONS. They are loaned only with the borrower's expressed written agreement that they will not be reproduced, copied, loaned, exhibited, or used in any other way, except by written consent from PARSONS to the borrower.

NO.	DATE	BY	CHKD	ENGR	PROJ	DESCRIPTION
1	5-15-98	CP				ISSUED FOR AS-BUILT

AS-BUILT DRAWINGS			
ISSUED FOR CONSTRUCTION	DRAWN	DG	6-24-96
CHECKED	ENGINEER		
PROJ			

PARSONS
 100 WEST WALNUT STREET
 PASADENA, CALIFORNIA

LIGO
 CALIFORNIA INSTITUTE OF TECHNOLOGY
 MASSACHUSETTS INSTITUTE OF TECHNOLOGY

LASER INTERFEROMETER
 GRAVITATIONAL-WAVE OBSERVATORY
 SITE NO. 1 - HANFORD, WASHINGTON

TITLE	SHEET NUMBER	CONTRACT NUMBER	PROJECT NUMBER
PLUMBING DETAILS	NONE	PP150969	8094
WA-P-411			

LIGO-D960446-01-O