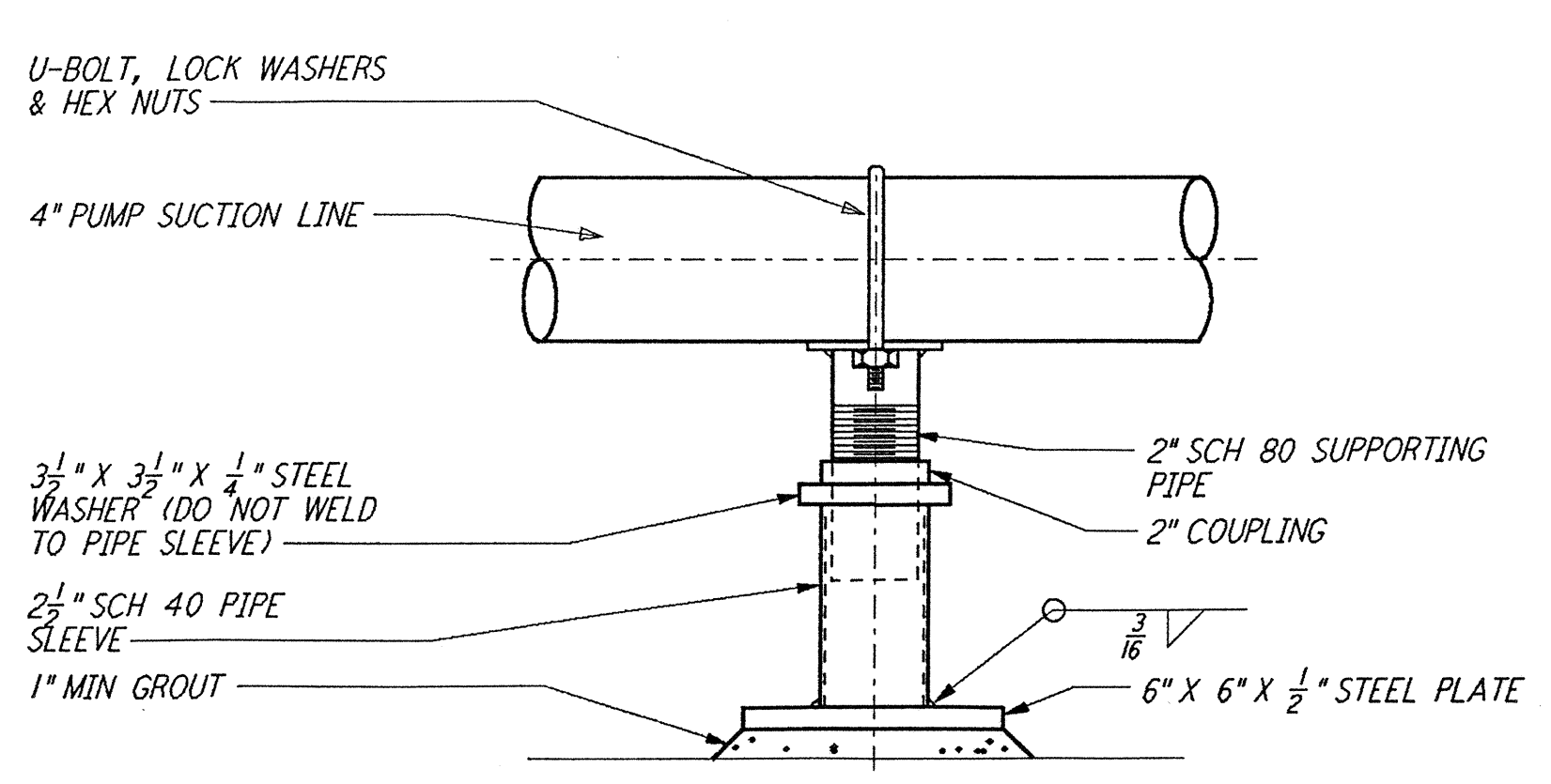
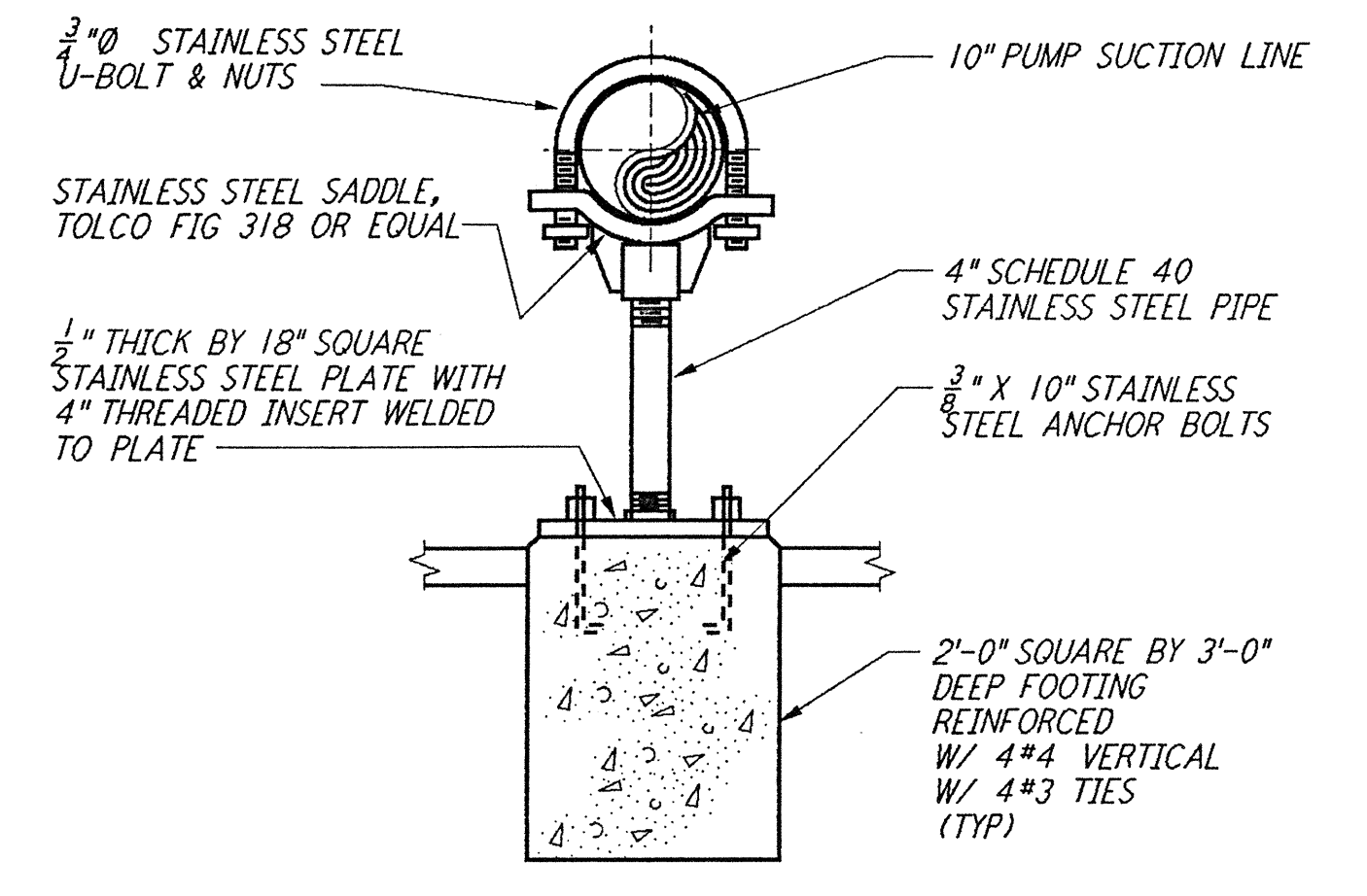


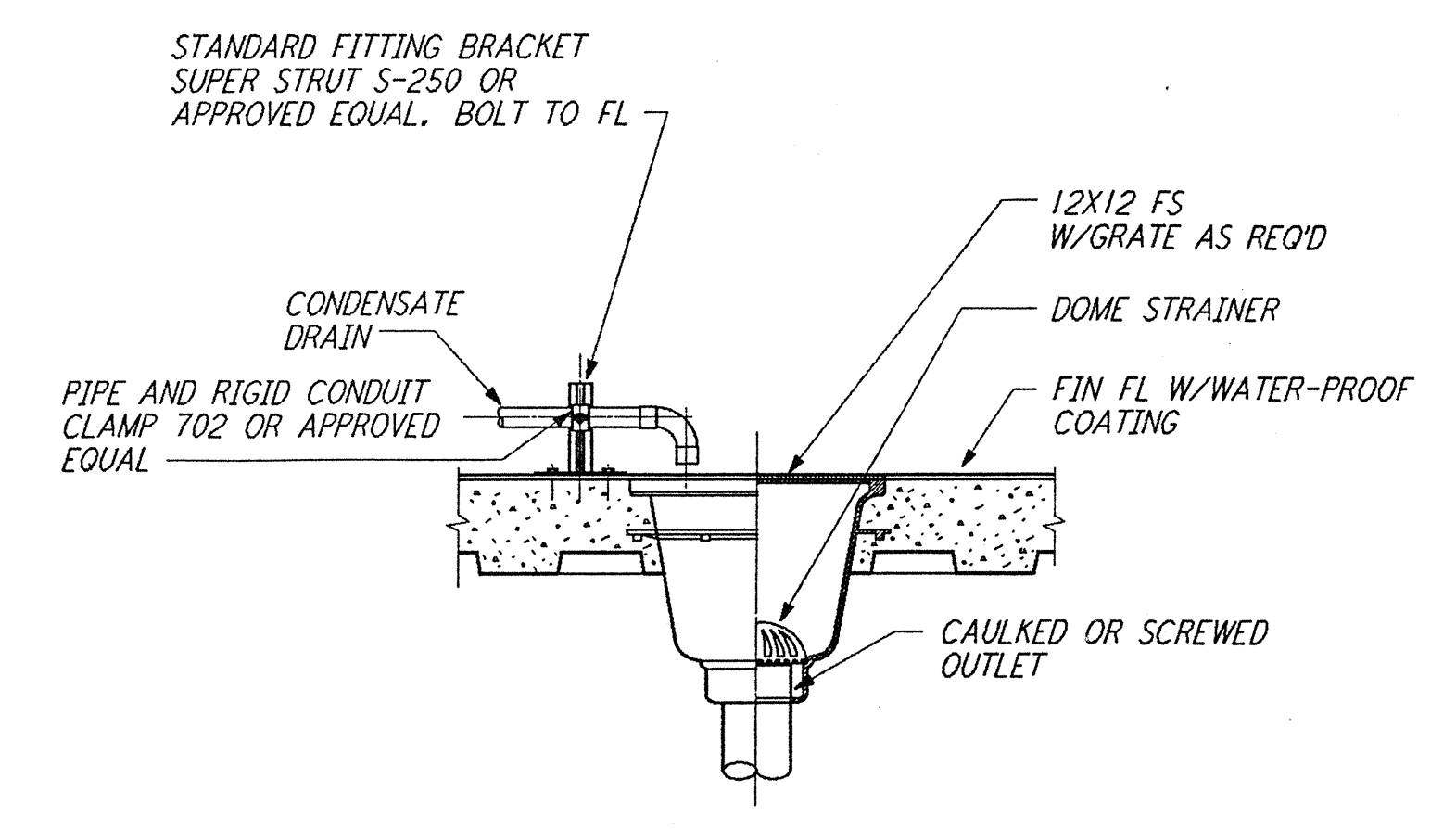
This document and the design it covers are the property of PARSONS. They are loaned only with the borrower's expressed written agreement that they will not be reproduced, copied, loaned, exhibited, or used in any other way, except by written consent from PARSONS to the borrower.



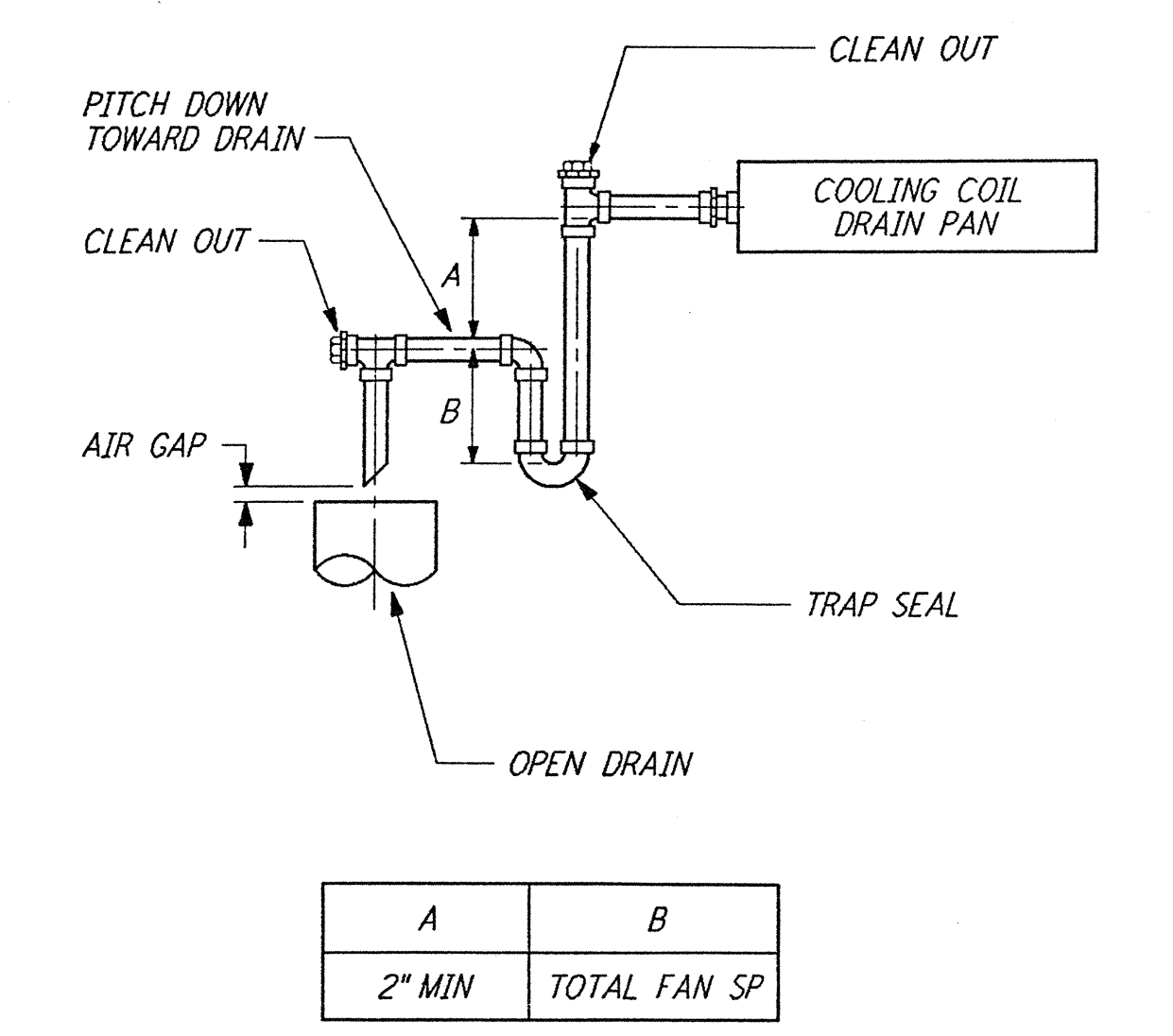
PIPE SUPPORT DETAIL 1 REF  
 NTS WA-P-411



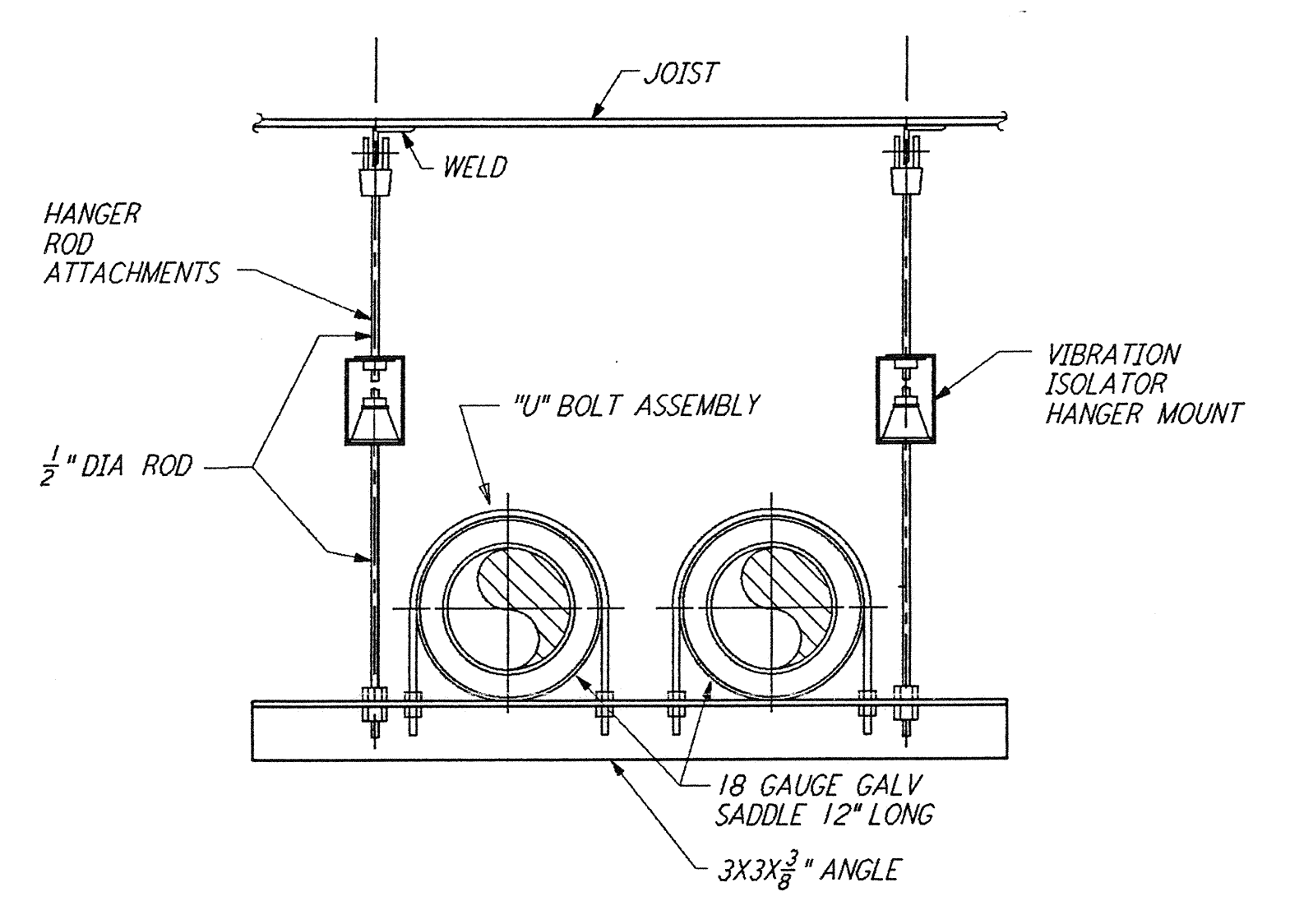
PIPE SUPPORT DETAIL 2 REF  
 NTS WA-P-411



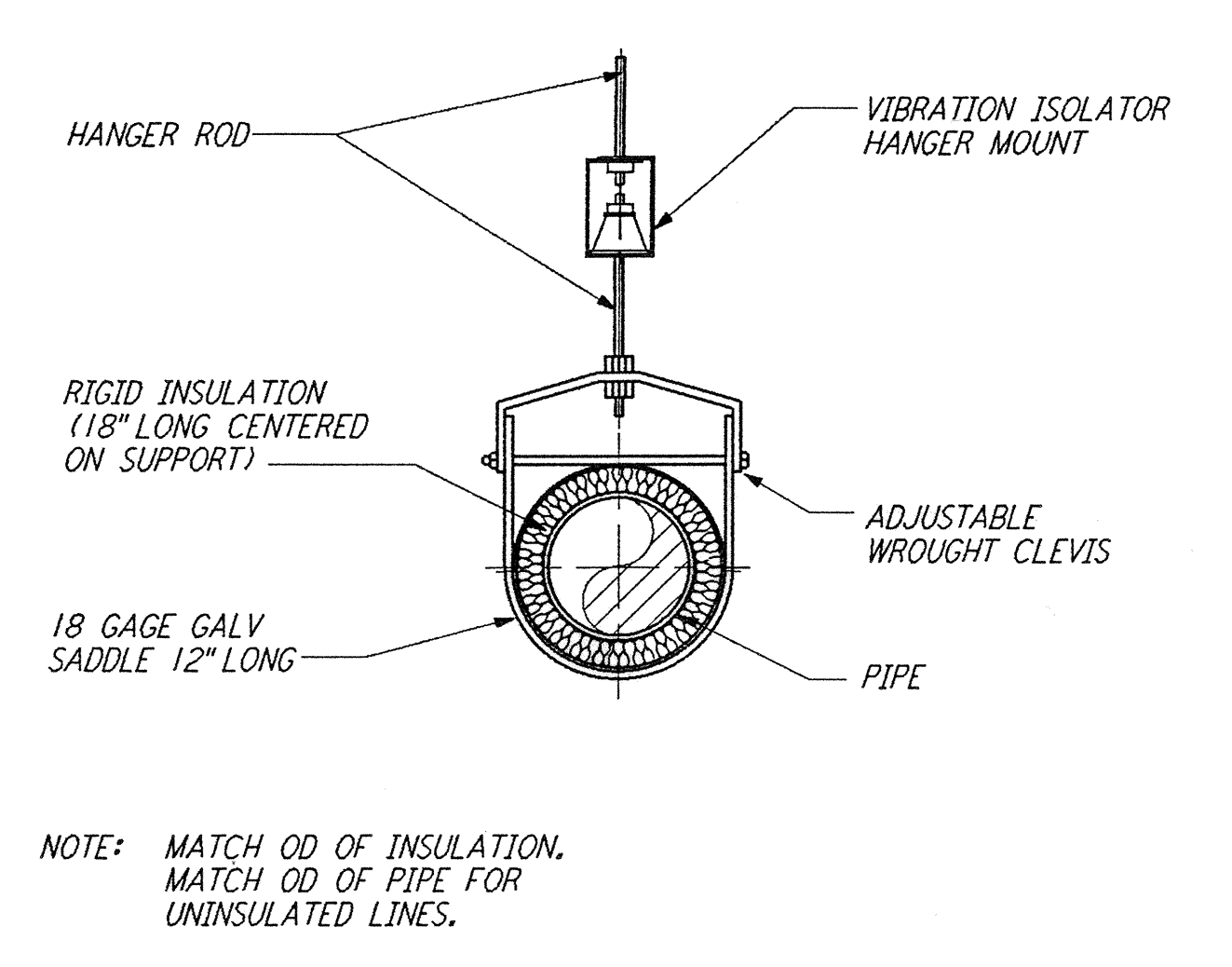
FLOOR SINK DETAIL 3 REF  
 NTS WA-P-411



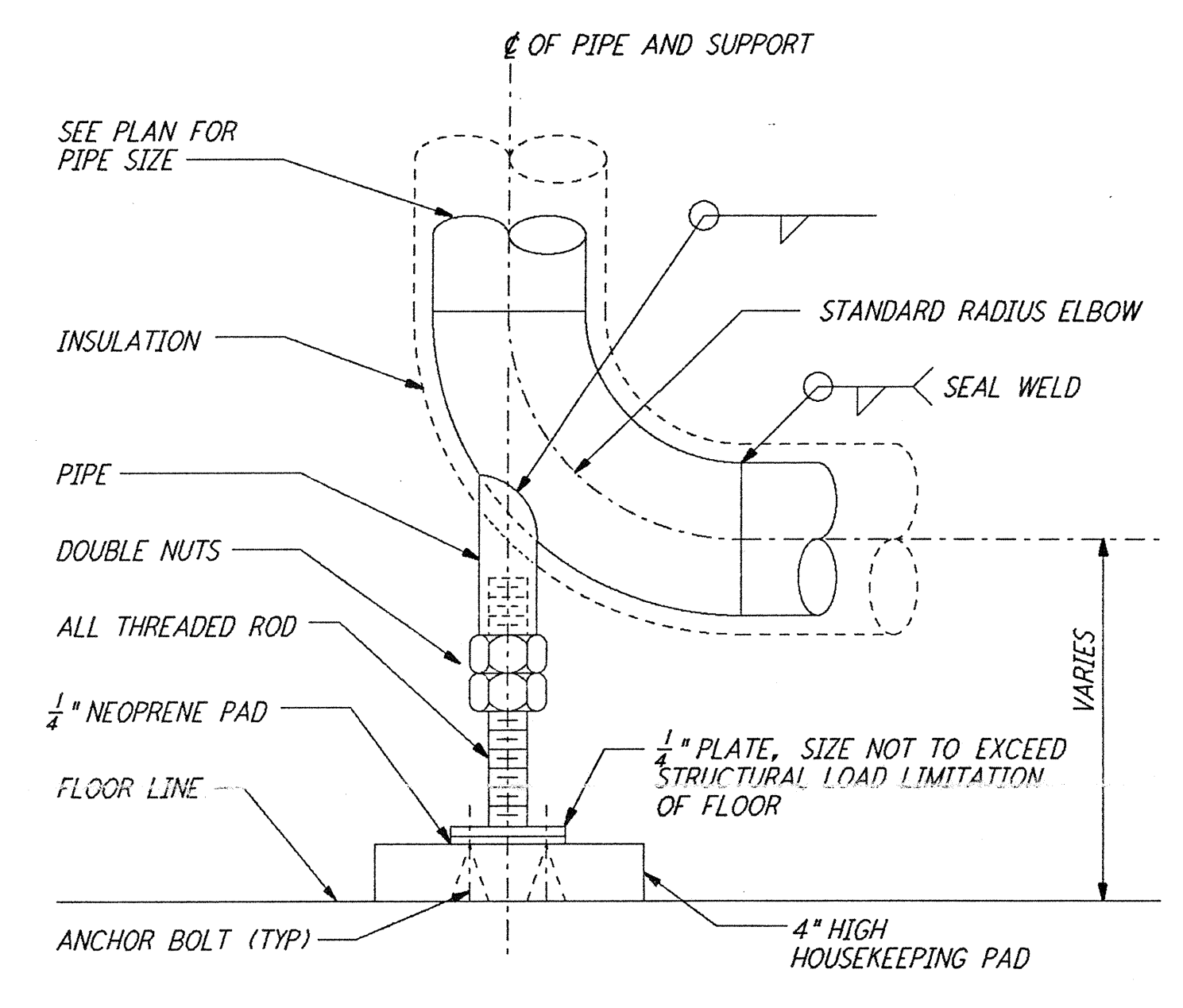
CONDENSATE DRAIN DETAIL 4 REF  
 NTS WA-P-411



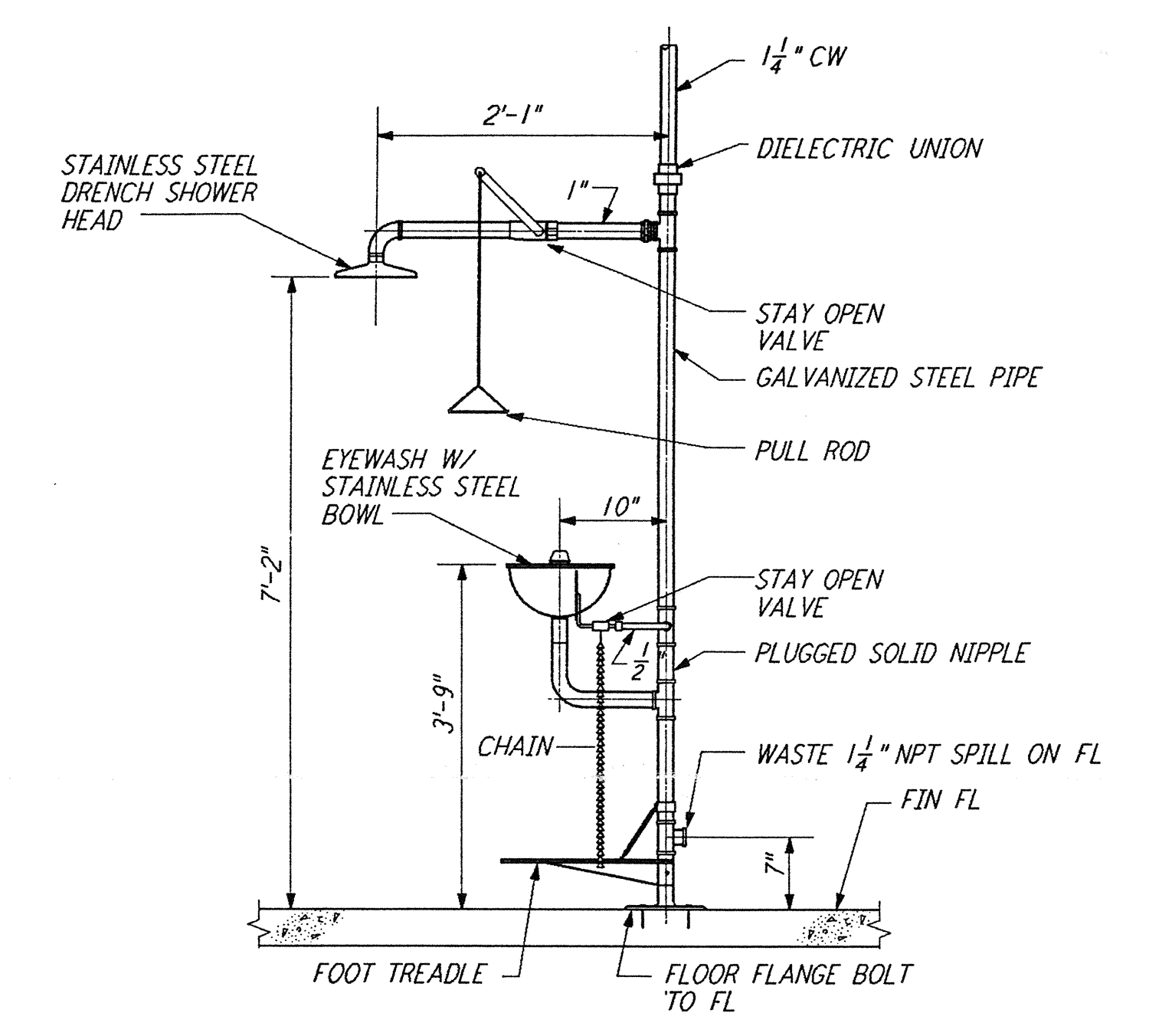
PIPE HANGER - TRAPEZE DETAIL 5 REF  
 NTS WA-P-411



PIPE HANGER DETAIL - SINGLE PIPE 6 REF  
 NTS WA-P-411



BASE ELBOW SUPPORT DETAIL 7 REF  
 NTS WA-P-411



EMERGENCY SHOWER AND EYE WASH DETAIL 8 REF  
 NTS WA-P-411

NO.	DATE	BY	CHKD	ENGR	PROJ	DESCRIPTION
A	4-19-96	DG	MP	MW		FINAL DESIGN REVIEW & BID

NO.	DATE	BY	CHKD	ENGR	PROJ	DESCRIPTION

DRAWN	DG
CHECKED	
ENGINEER	
PROJ	

**PARSONS**

100 WEST WALNUT STREET  
 PASADENA, CALIFORNIA

**LIGO**

CALIFORNIA INSTITUTE OF TECHNOLOGY  
 MASSACHUSETTS INSTITUTE OF TECHNOLOGY

LASER INTERFEROMETER  
 GRAVITATIONAL-WAVE OBSERVATORY  
 SITE NO. 1 - HANFORD, WASHINGTON

TITLE: PLUMBING DETAILS

SCALE: NONE CONTRACT NUMBER: PPI50969 PROJECT NUMBER: 8094

SHEET NUMBER: **WA-P-411**

LIGO-D980446-A-0