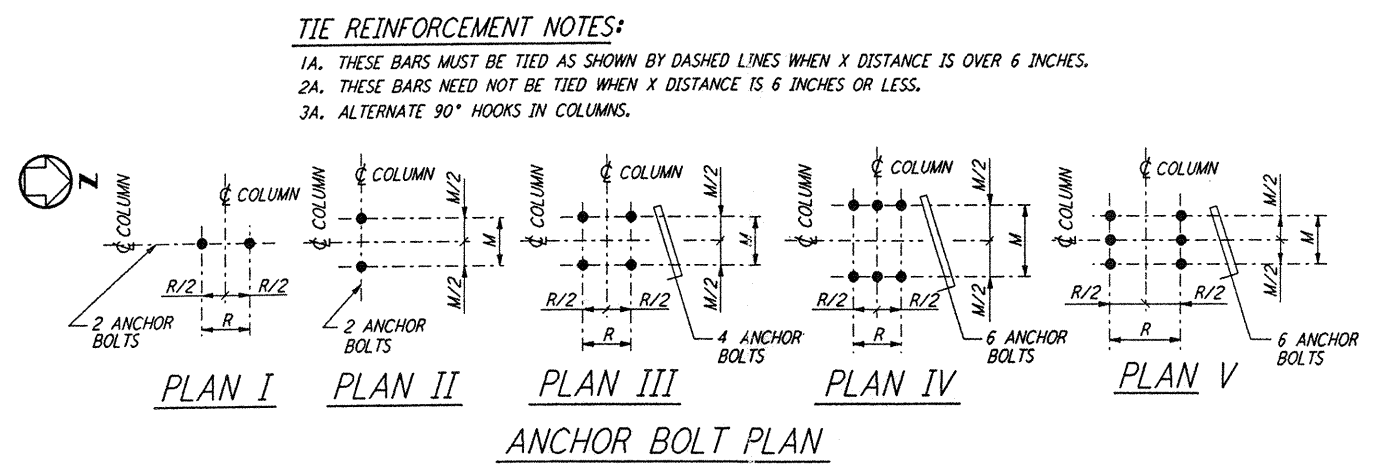
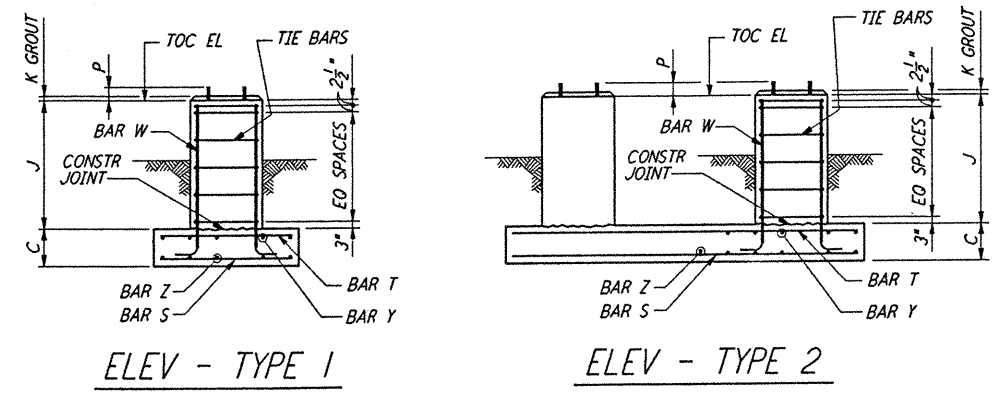
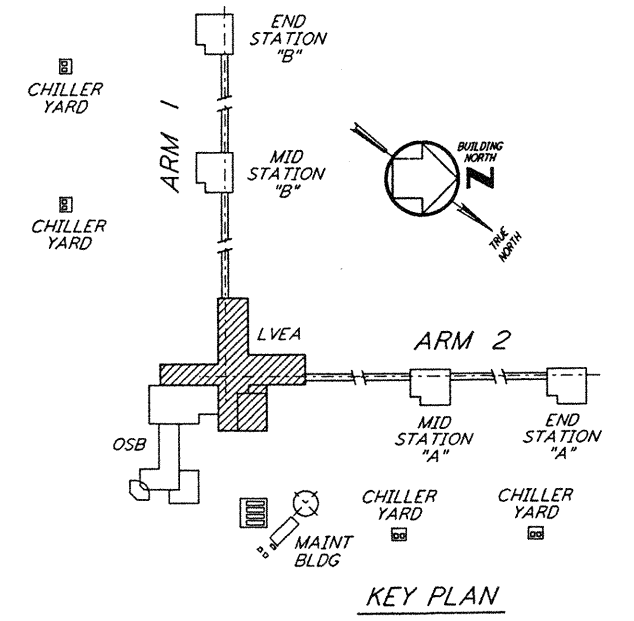


- NOTES:**
- CONSTRUCTION SHALL COMPLY WITH ALL THE REQUIREMENTS OF THE GENERAL NOTES ON DRAWING WA-5-001.
  - THE BAR SPACING IS BASED ON CENTER TO CENTER OF TIE SET.
  - FOR ANCHOR BOLT DETAILS SEE DETAIL W-5-003



FOUNDATION NO OF FONS REQD	FOUNDATION LOCATION (COL LINES)	TOP OF CONC EL	FOUNDATION TYPE	DIMENSIONS												ANCHOR BOLTS					REINFORCING PER FOUNDATION						CONC CY	FDN LOC PLAN	REMARKS									
				PLAN	ELEV	A	B	C	D	F	G	H	J	K	M	R	N	ANCHOR BOLT PLAN	TYPE	NO PER TIER	SIZE D	L	P	BAR S NO SIZE	BAR Z NO SIZE	BAR T NO SIZE				BAR Y NO SIZE	BAR W NO SIZE	TIE BAR TYPE SIZE	NO REQD					
1	K-6	100'-0"	A	1	5'-0"	5'-0"	1'-0"	10"	10"	10"	10"	1'-8"	1"	7"	7"	---	III	2	4	1"	1'-4"	4"	6	#5	6	#5	6	#5	6	#5	8	#6	B	#4	4	1.1	WA-5-101	
1	K-5	100'-0"	A	1	5'-0"	5'-0"	1'-0"	10"	1'-4 1/2"	10"	10"	1'-8"	1"	7"	7"	---	III	2	4	1"	1'-4"	4"	6	#5	6	#5	6	#5	6	#5	8	#6	B	#4	4	1.12	WA-5-101	
1	P-7	100'-0"	A	1	5'-0"	5'-0"	1'-0"	10"	10"	1'-4 1/2"	10"	1'-8"	1"	7"	7"	---	III	2	4	1"	1'-4"	4"	6	#5	6	#5	6	#5	6	#5	8	#6	B	#4	4	1.1	WA-5-101	
1	L-5	100'-0"	B	2	7'-0"	27'-0"	2'-0"	11"	1'-4 1/2"	11"	11"	2'-0"	1"	7"	7"	20'-0"	III	2	4	1 1/2"	2'-6"	6"	9	#6	32	#6	9	#6	32	#6	8	#6	B	#4	4	15.0	WA-5-101	
1	M-5	100'-0"	B	2	7'-0"	27'-0"	2'-0"	11"	1'-4 1/2"	11"	11"	2'-0"	1"	7"	7"	20'-0"	III	2	4	1 1/2"	2'-6"	6"	9	#6	32	#6	9	#6	32	#6	8	#6	B	#4	4	15.0	WA-5-101	
1	N-5	100'-0"	B	2	7'-0"	27'-0"	2'-0"	11"	1'-4 1/2"	11"	11"	2'-0"	1"	7"	7"	20'-0"	III	2	4	1 1/2"	2'-6"	6"	9	#6	32	#6	9	#6	32	#6	8	#6	B	#4	4	15.0	WA-5-101	FOR ADDITIONAL INFORMATION SEE FDN LOCATION PLAN
1	P-5	100'-0"	B	2	7'-0"	27'-0"	2'-0"	11"	1'-4 1/2"	11"	11"	2'-0"	1"	7"	7"	20'-0"	III	2	4	1 1/2"	2'-6"	6"	9	#6	32	#6	9	#6	32	#6	8	#6	B	#4	4	15.0	WA-5-101	FOR ADDITIONAL INFORMATION SEE FDN LOCATION PLAN
1	P-6	100'-0"	B	2	7'-0"	27'-0"	2'-0"	11"	1'-4 1/2"	11"	11"	2'-0"	1"	7"	7"	20'-0"	III	2	4	1 1/2"	2'-6"	6"	9	#6	32	#6	9	#6	32	#6	8	#6	B	#4	4	15.0	WA-5-101	FOR ADDITIONAL INFORMATION SEE FDN LOCATION PLAN
1	A-8, 7, A-9, 7, A-10, B-7, B-10, C-7, C-10, D-7, D-10, E-7, E-10, G-2, G-3, G-4, G-5, H-12, H-13, H-14, H-15, H-7-1, I-7, I-10, J-1, J-2, J-3, J-4, J-5, J-12, J-13, J-14, J-15, J-16, K-10, N-8, N-10, P-10	100'-0"	B	2	7'-0"	27'-0"	2'-0"	11"	1'-4 1/2"	11"	11"	2'-0"	1"	7"	7"	20'-0"	III	2	4	1"	1'-4"	4"	6	#5	6	#5	6	#5	6	#5	8	#6	B	#4	4	15.0	WA-5-101	FOR ADDITIONAL INFORMATION SEE FDN LOCATION PLAN
1	A-7, A-8, F-7, F-10, G-1, G-6, G-7, G-10, H-1, H-10, H-11, H-16, I-16, J-6, J-7, J-10, J-11, K-7, K-8, L-8, L-10, M-8, M-10, P-8, P-9	100'-0"	B	2	7'-0"	27'-0"	2'-0"	11"	1'-4 1/2"	11"	11"	2'-0"	1"	7"	7"	20'-0"	III	2	4	1 1/2"	2'-6"	6"	9	#6	32	#6	9	#6	32	#6	8	#6	B	#4	4	15.0	WA-5-101	FOR ADDITIONAL INFORMATION SEE FDN LOCATION PLAN



not be reproduced, copied, loaned, exhibited, or used in any other way, except by written consent from PARSONS to the borrower.

This document and the design it covers are the property of PARSONS. They are loaned only with the borrower's expressed written agreement that they will

NO.	DATE	BY	CHKD	ENGR	PROJ	DESCRIPTION
A	4-19-96	MCS	DSJ	BP	MM	FINAL DESIGN REVIEW

DRAWN	MCS
CHECKED	
ENGINEER	
PROJ	

**PARSONS**  
100 WEST WALNUT STREET  
PASADENA, CALIFORNIA

**LIGO**  
CALIFORNIA INSTITUTE OF TECHNOLOGY  
MASSACHUSETTS INSTITUTE OF TECHNOLOGY

LASER INTERFEROMETER  
GRAVITATIONAL-WAVE OBSERVATORY  
SITE NO. 1 - HANFORD, WASHINGTON

TITLE: STRUCTURAL CORNER STATION - LVEA FOUNDATION SCHEDULE AND DETAILS

SCALE: NONE CONTRACT NUMBER: PPI150969 PROJECT NUMBER: 8094

SHEET NUMBER: WA-S-404