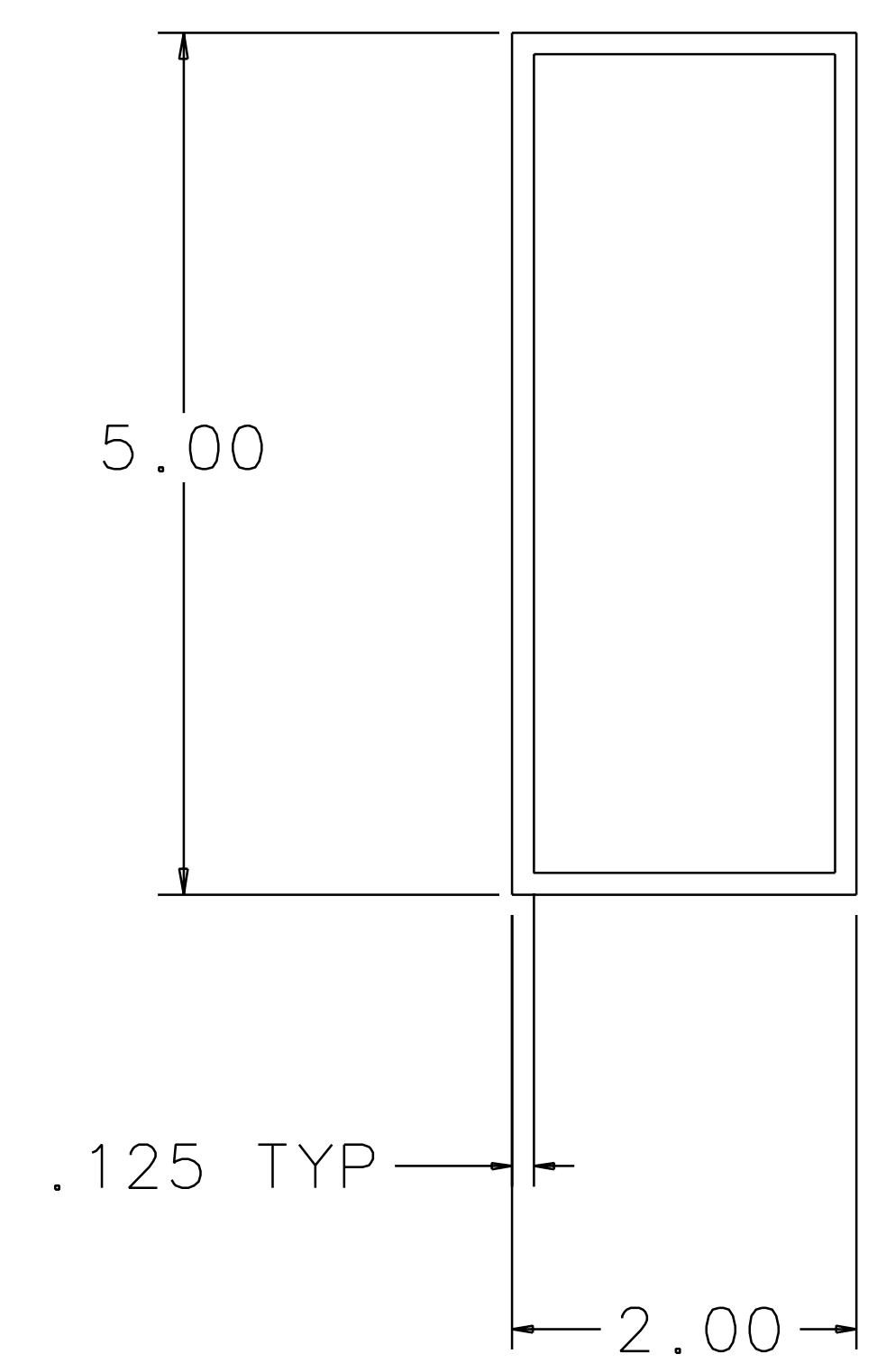
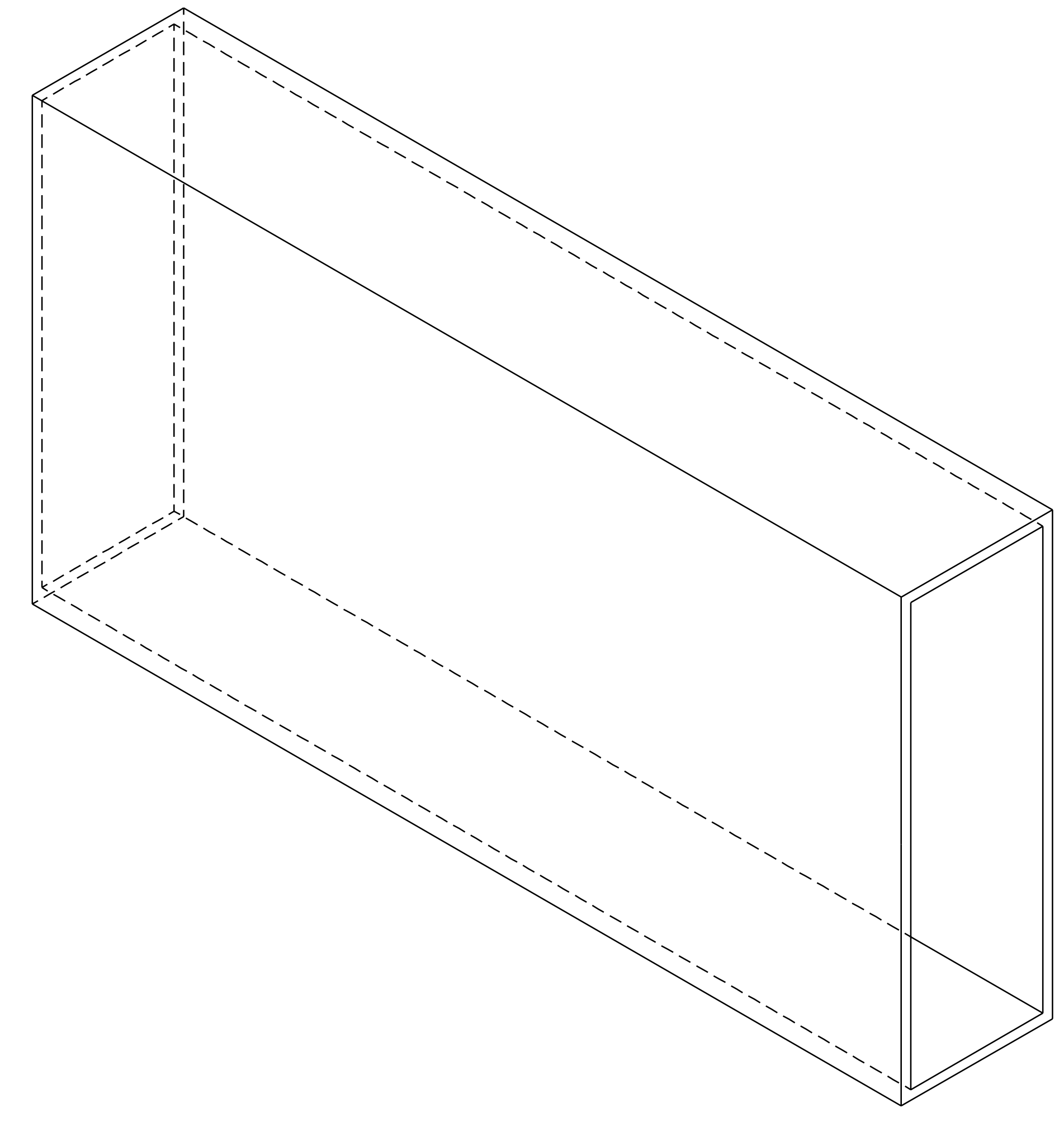
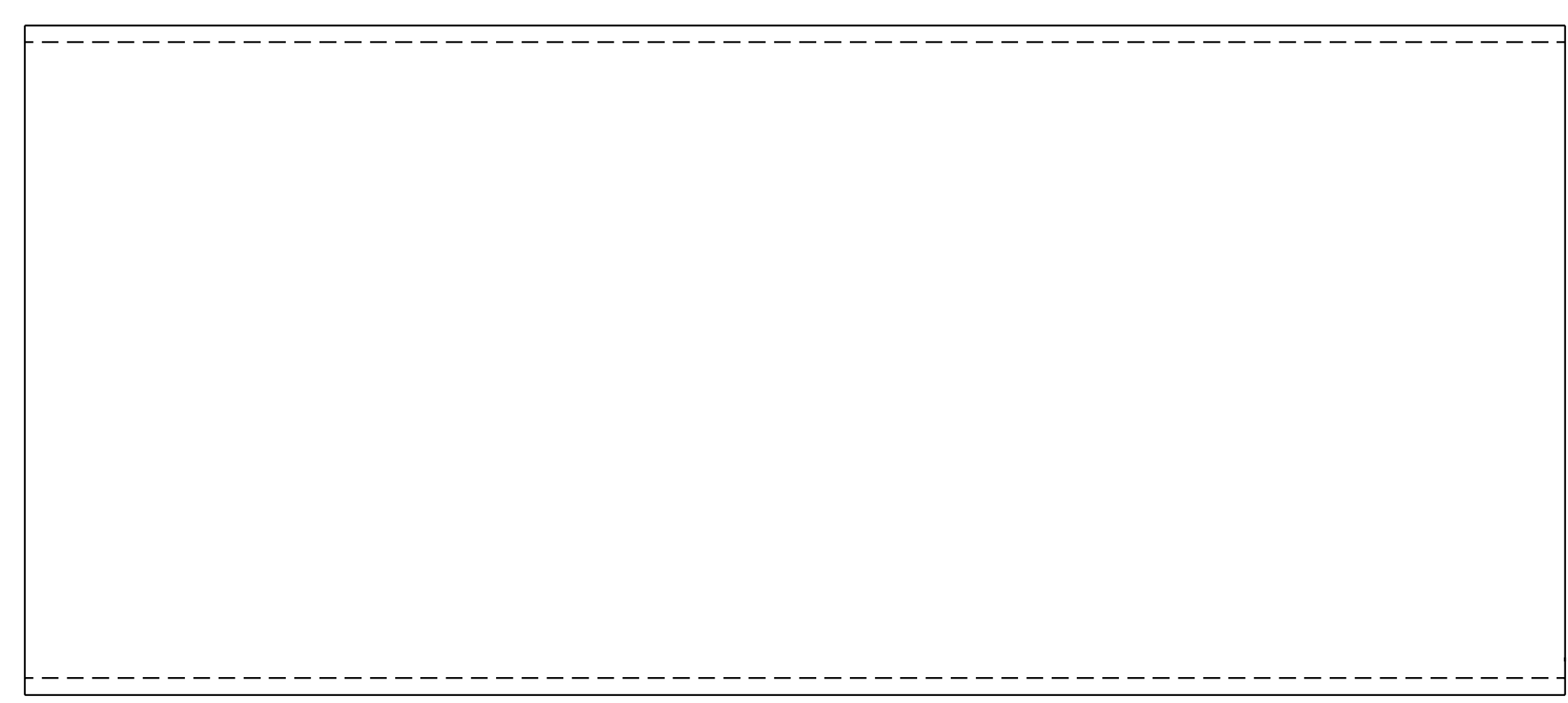
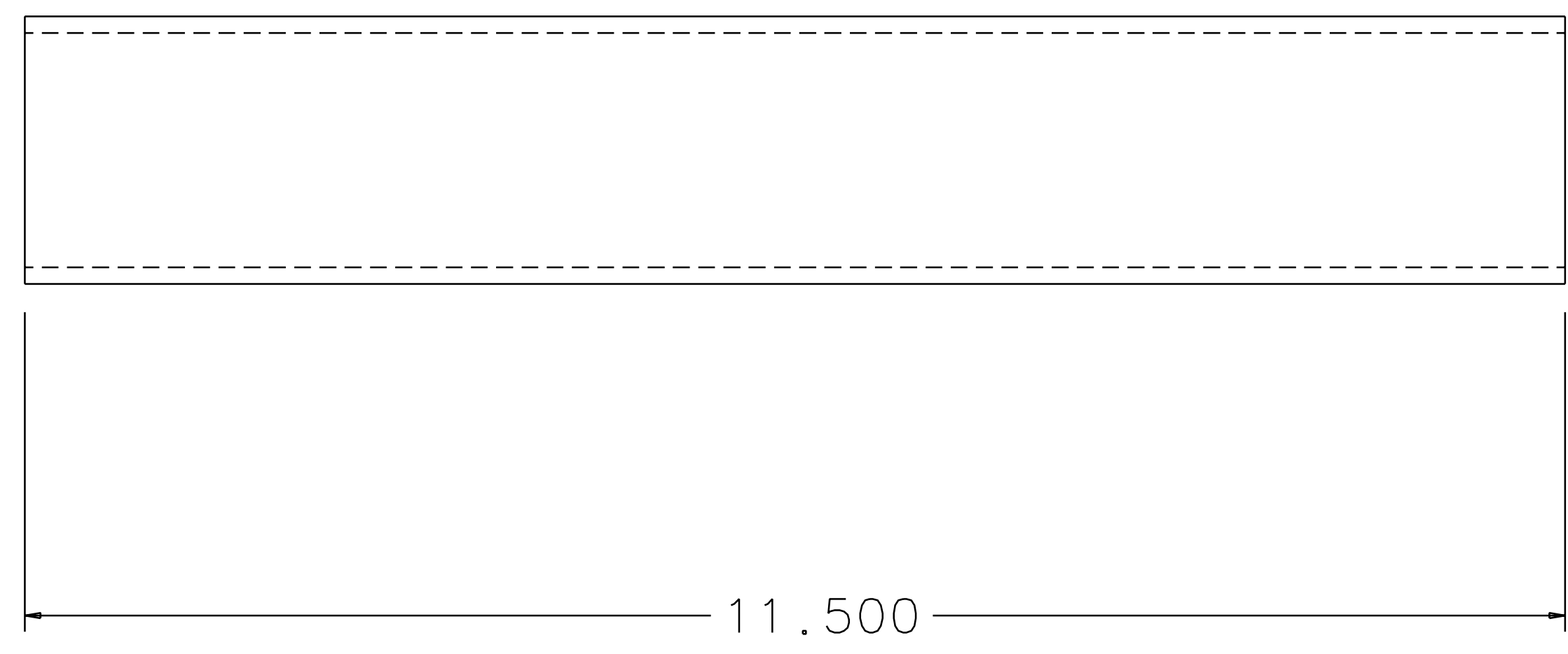


1 2 3 4 5 6 7 8

REV	DATE	DRAWN BY	CHECKED	DCG	DCN/DESCRIPTION
A	2/5/98	J. Hozei			E980010/INITIAL RELEASE

NOTES: (UNLESS OTHERWISE SPECIFIED)
 1. BREAK ALL SHARP EDGES AND CORNERS.



NEXT ASSEMBLY	D960133
FILE LOCATION	/home/dcc/docs/D960502.pdf

UNLESS OTHERWISE SPECIFIED DIMENSIONS ARE IN INCHES TOLERANCES ARE: FRACTIONS DECIMALS ANGLES 0.XX=±0.01 0.XXX=±0.005 ANGLES=±0.5° DO NOT SCALE DRAWING	APPROVALS	DATE	L I G O CALIFORNIA INSTITUTE OF TECHNOLOGY MASSACHUSETTS INSTITUTE OF TECHNOLOGY
	DRAWN J. Hozei	4/96	TITLE
	CHECKED		LOS FRONT STIFFENER
MATERIAL	304 STAINLESS	SIZE	D960502
FINISH		SCALE	1/1
		SHEET	1 OF 1

1 2 3 4 5 6 7 8