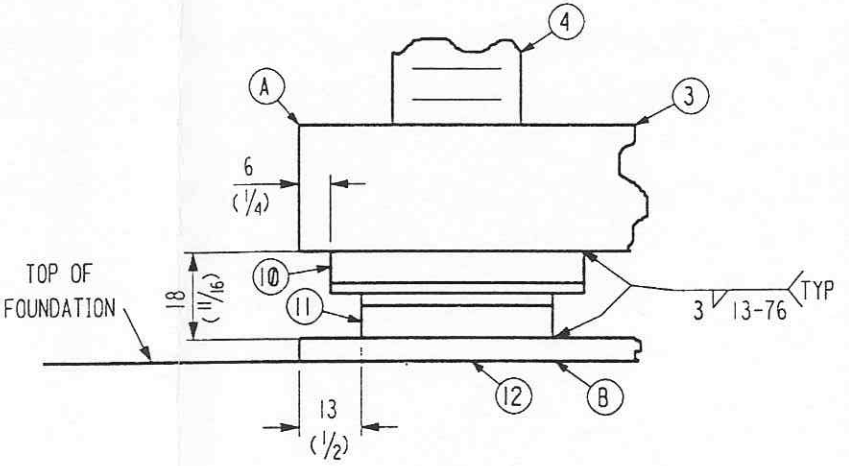


PLAN VIEW



VIEW B-B

APPROVED

M. Tellalian 9-13-96
CBI DATE

J. Jones 9/23/96
CALTECH DATE

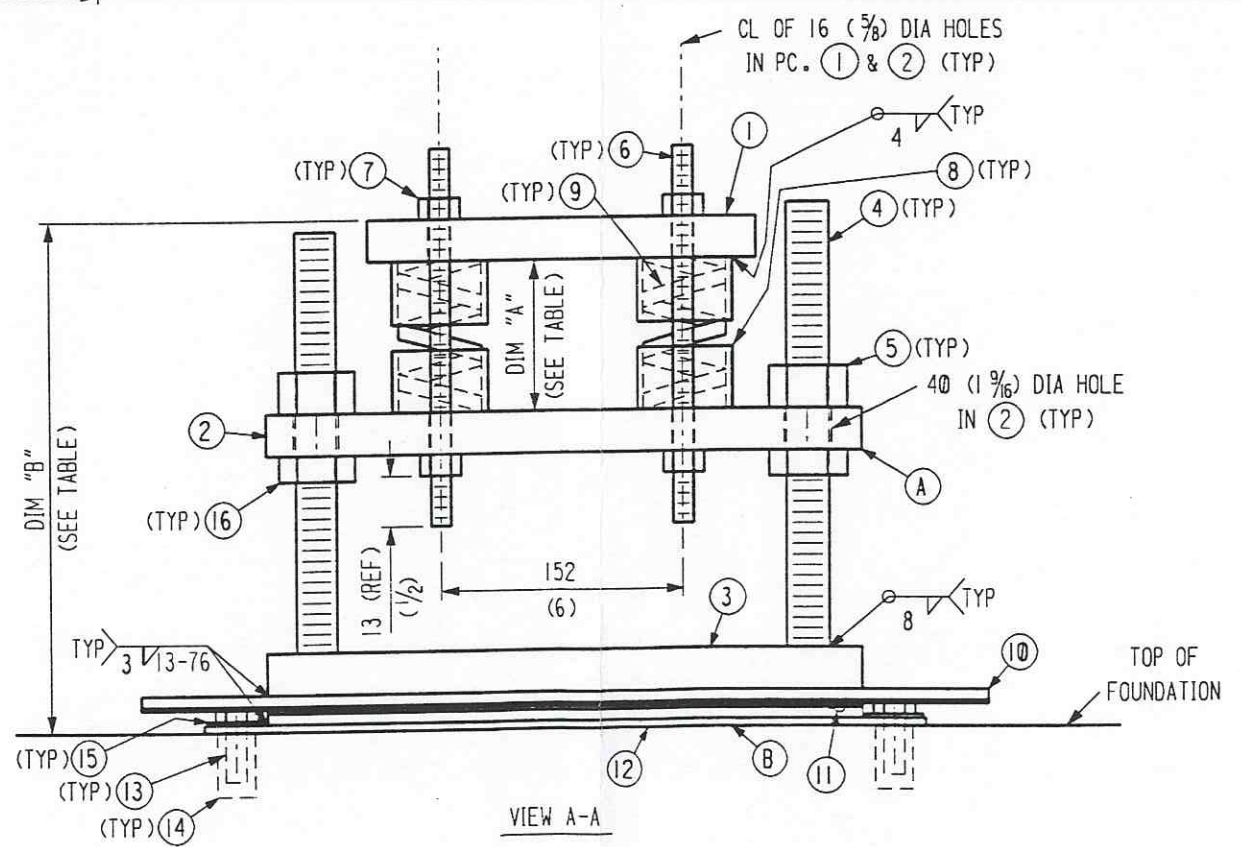
SHIP PC	MARK	ASSEMB PC	DESCRIPTION	LENGTH MM	SPEC	ID
1	22-A		VALVE SOFT SUPPORT (MAIN ASSEMBLY)			
	22-1	1	PL 241 X 25 (9 1/2 X 1 X 1'-5 1/4 LG) W/ HOLES	438	A36	C
	22-2	1	PL 387 X 25 (1'-3 1/4 X 1 X 1'-5 1/4 LG) W/ HOLES	438	A36	C
	22-3	1	PL 387 X 19 (1'-3 1/4 X 3/4 X 1'-5 1/4 LG)	438	A36	C
	22-4	4	STUD 32 (1 1/4) DIA (11 1/2)	292	A36	Ac
	22-5	4	NUT 32 (1 1/4) DIA HVY HEX		A307	Ac
	22-6	4	STUD 13 (1/2) DIA	203 (8)	A36	Ac
	22-7	8	NUT 13 (1/2) DIA HVY HEX		A307	Ac
	22-8	12	PIPE 51 (2) DIA SCH 40 (1 1/4 LG)	32	A53	C
	22-9	6	DIE SPRING MCMASTER-CARR #9295K94 OR EQUAL (PAINTED TO PREVENT CORR.)	102 (4)	*	C
	22-10	2	TEFLON SLIDE BEARING 2.4 (3/32) THK TEFLON BONDED TO 6 (1/4) BACKING PLATE 51 (2) WIDE X (1'-9 1/4) LG	540	CS GALV.	C
	22-16	4	JAMB NUT 32 (1 1/4) DIA HVY HEX		A307	C
1	22-8		VALVE SOFT SUPPORT (BASE PLATE)			
	22-11	2	TEFLON SLIDE BEARING 2.4 (3/32) THK TEFLON BONDED TO 6 (1/4) BACKING PLATE 38 (1 1/2) WIDE X (1'-3 1/4) LG	387	CS GALV.	C
	22-12	1	PL 438 X 5 (1'-5 1/4 X 3/16 X 1'-6 1/4 LG)	464	A36	C
2	22-13		BOLT 13 (1/2) DIA HVY HEX	19 (3/4)	A307	C
2	22-14		ANCHOR 13 (1/2) DIA HILTI DROP-IN	51 (2)	CS ZINC PL	C
2	22-15		WASHER 13 (1/2) DIA		CS	C

► DETAILED AND BILLED FOR (1), (14) REQUIRED

NOTES:

- 1) ALL CARBON STEEL PIECES SHALL BE GALVANIZED, (UNLESS NOTED OTHERWISE)
- 2) INSTALLATION SEQUENCE:
 - A) ASSEMBLE WITH SPRING PACK HEIGHT AT 3.13" (44" VALVE), 2.96" (48" VALVE).
 - B) MEASURE HEIGHT OF GATE VALVE BODY ABOVE SLAB.
 - C) BEFORE PLACING UNDER VALVE, ADJUST OVERALL SUPPORT HEIGHT TO VALVE HEIGHT -0.05" BY ADJUSTING 1 1/4" NUTS.
 - D) LOCATE SUPPORT UNDER VALVE, WITH SPRINGS CENTERED UNDER VALVE FACE PLATES AND SUPPORT CENTERED ON VALVE BODY.
 - E) ADJUST 1 1/4" NUTS UNTIL SPRING PACK HEIGHT IS 3.08" (44" VALVE), 2.91" (48" VALVE); 1/2" NUTS SHOULD BE LOOSE AT THIS TIME.
 - F) LOOSEN 1/2" NUTS AN ADDITIONAL 0.5".

DIMENSION (SEE NOTE 2)	VALVE SIZE	
	44" DIA.	48" DIA.
A	78.2 (3.08)	73.9 (2.91)
B + 76.2 (3.00)	320.8 (12.63)	244.6 (9.63)
- 52.3 (2.06)		



VIEW A-A

► INDICATES CHANGE FROM PREVIOUS ISSUE

ADDED TOTAL QUANTITY REQ.		REVISIONS		REMARKS	
BY	DATE	BY	DATE	LIGO - D960511-02-B	
CHKD	DATE	CHKD	DATE	LIGO - D960511-02-B	
DATE	DATE	DATE	DATE	LIGO - D960511-02-B	
CBI				SUPPLIER'S / PURCHASER'S NO	
LIGO BEAM TUBE HANFORD, WA & LIVINGSTON, LA				CUSTOMER'S NO	
GATE VALVE SOFT SUPPORT				CONTRACT NO 953571	
BY DTR CHKD M.L.T. DATE 7/3/96				DWG 22	
M.L. TELLALIAN				REV 2	
ENGINEERING ASSIGNED				SHT	