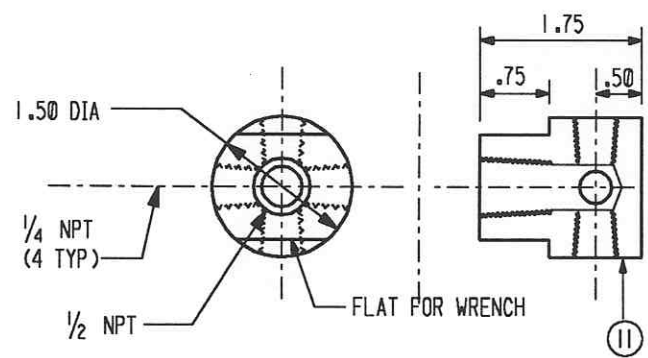
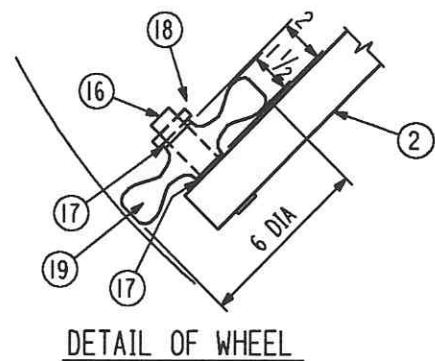


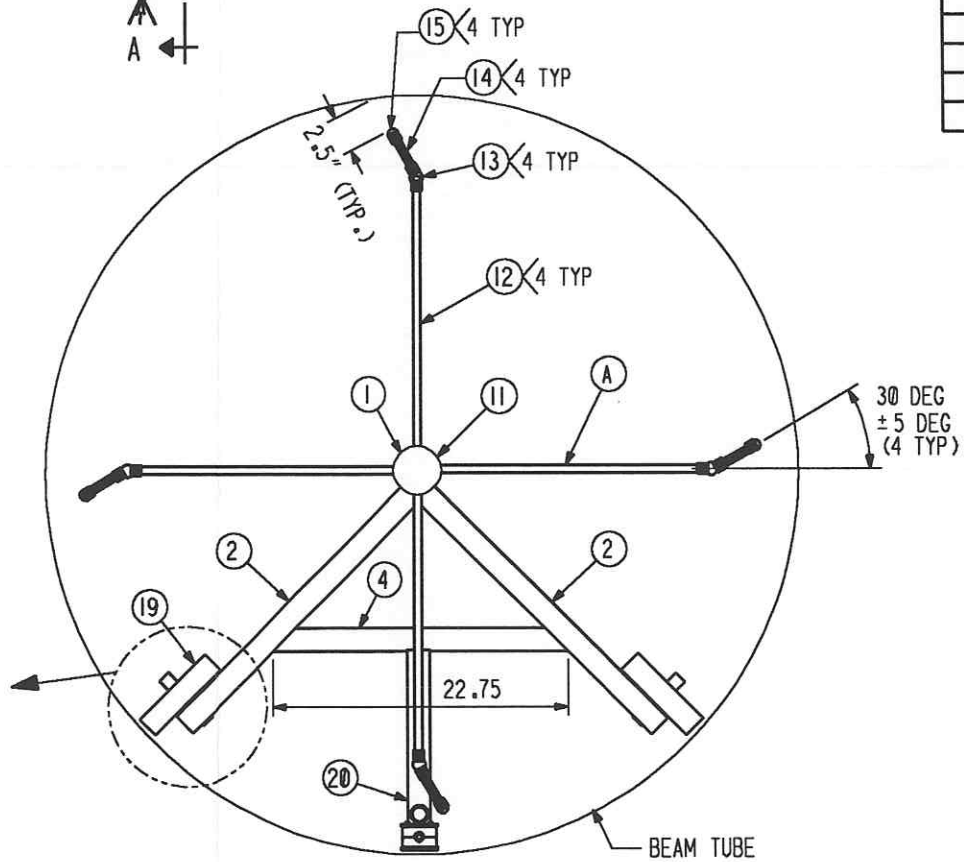
ELEVATION VIEW ASSEMBLY (A)
BEAM TUBE NO SHOWN



(11)



DETAIL OF WHEEL



VIEW A-A

NOTE:

1. ALL DIMENSIONS ARE IN INCHES.

SHIP PC	MARK	ASSM PC	DESCRIPTION	LENGTH		SPEC	ID
				FT	IN		
1	ER301-A		SPRAYING APPARATUS				
	ER301-1	1	SQ TUBE 3 X 3 X 1/4	3	6	STN STEEL	
	ER301-2	4	SQ TUBE 1 1/2 X 1 1/2 X 11 GA	1	9	STN STEEL	
	ER301-3	2	SQ TUBE 1 1/2 X 1 1/2 X 11 GA	2	9 1/2	STN STEEL	
	ER301-4	2	SQ TUBE 1 1/2 X 1 1/2 X 11 GA X SK			STN STEEL	
	ER301-5	2	PL 3 X 3 X 3/8			STN STEEL	
	ER301-6	1	PIPE 1.5" DIA X 2" SCH.40			STN STEEL	
	ER301-7	1	PIPE TEE 1/2" NPT 150#			STN STEEL	
	ER301-8	1	ROTATING UNION (SCHRADER)				
			BELLOWS #834-0019)				
	ER301-9	2	PIPE NIPPLES 1/2" NPT X 1.5" SCH.40 (TBE)			STN STEEL	
	ER301-10	1	PL 8"x 3" x 1/4" W/HOLES (SKETCH)			STN STEEL	
	ER301-11	1	4-WAY MANIFOLD (ER302 SKETCH)			STN STEEL	
	ER301-12	4	PIPE 1/4 DIA SCH 40 X 19" (TBE)			STN STEEL	
	ER301-13	4	SWIVEL (SPRAY SYSTEM #5082 1/4" X 1/4") (1/4"FNPT X 1/4"FNPT)			BRASS	
	ER301-15	4	SPRAY NOZZLE (1/4" MNPT) (SPRAY SYSTEM #H-1/4"-VV-SS5005)			STN STEEL	
	ER301-16	4	ROD 3/4 DIA X SK WITH 1/4 DIA HOLE	5		STN STEEL	
	ER301-17	8	WASHER 1 3/16 ID X 1 3/4 OD X 0.109" THK			STN STEEL	
	ER301-18	4	SPRING PIN 1/4 DIA	1 1/2		STN STEEL	
	ER301-19	4	6 DIA WHEELS (McMASTER CARR #9955T44)			NYLON	
	ER301-20	1	SQ TUBE 1 1/2 X 1 1/2 X 8.5" X 11 GA			STN STEEL	
	ER301-21	2	CLAMPS (McMAS-CARR #3249T227)			STN STEEL	
	ER301-22	4	BOLT 1/4 - 20 UNC WITH WASHER	1		STN STEEL	
	ER301-23	1	SQ.TUBE 3"x 3"x 15"LONG OR EQUAL			STN STEEL	
	ER301-24	7	PIPE 1"DIA. x 10 FT.LONG SCH.5s			STN STEEL	
	ER301-25	6	1" 150# SOCKET WELD PIPE COUPLINGS			STN STEEL	
	ER301-26	10	1/4"DIA. x .7"LONG QUICK RELEASE PINS (McMAS-CARR #98404A127)			STN STEEL	

BY		DATE		BY		DATE		REVISIONS		REMARKS		SUPPLIER'S / PURCHASER'S NO	
CBI													
LIGO-BEAM TUBE													
HANFORD, WA & LIVINGSTON, LA													
BEAM TUBE SECTION CLEANING													
SPRAYING APPARATUS													
CUSTOMER'S NO LIGO-C951000-00-B										SCHEMATIC NO.			
BY GLH CHKD SWP DATE 3-7-96										953571			
M. L. TELLALIAN										DWG ER301		REV 1	
ENGINEERING ASSIGNED										SHT			
LIGO-D960515-01-B													