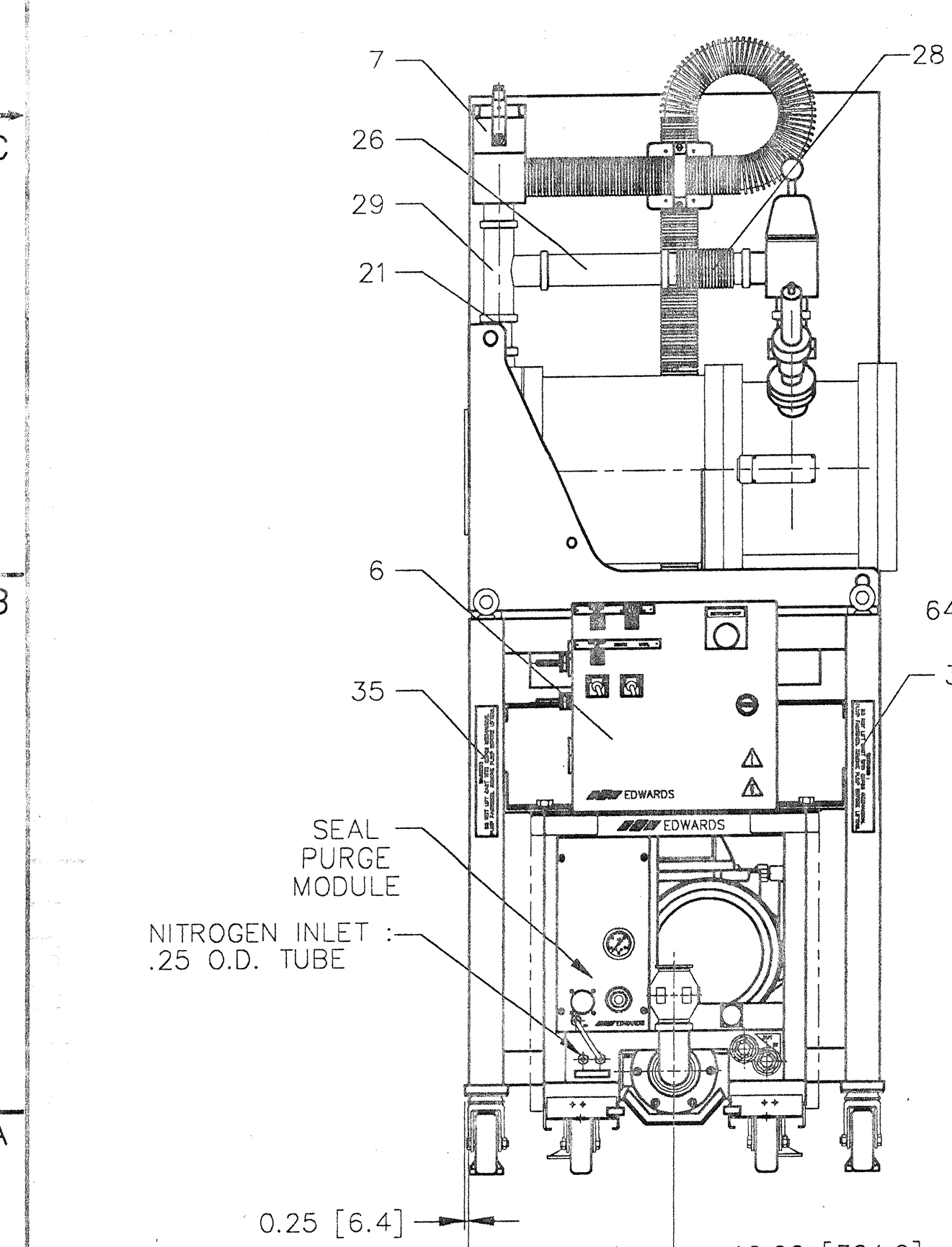
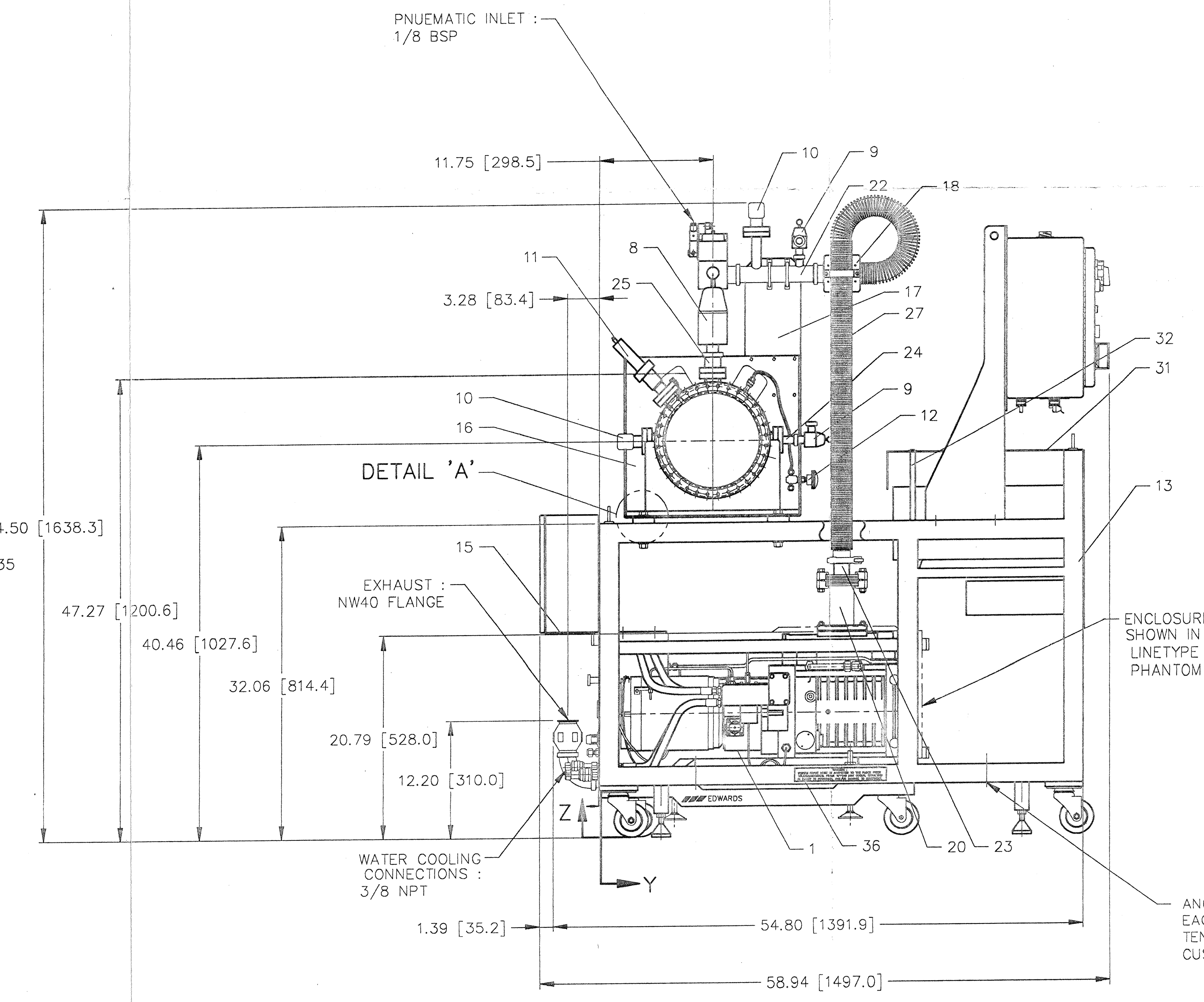
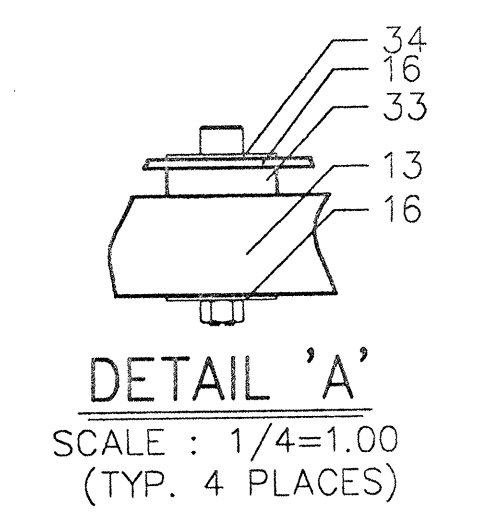
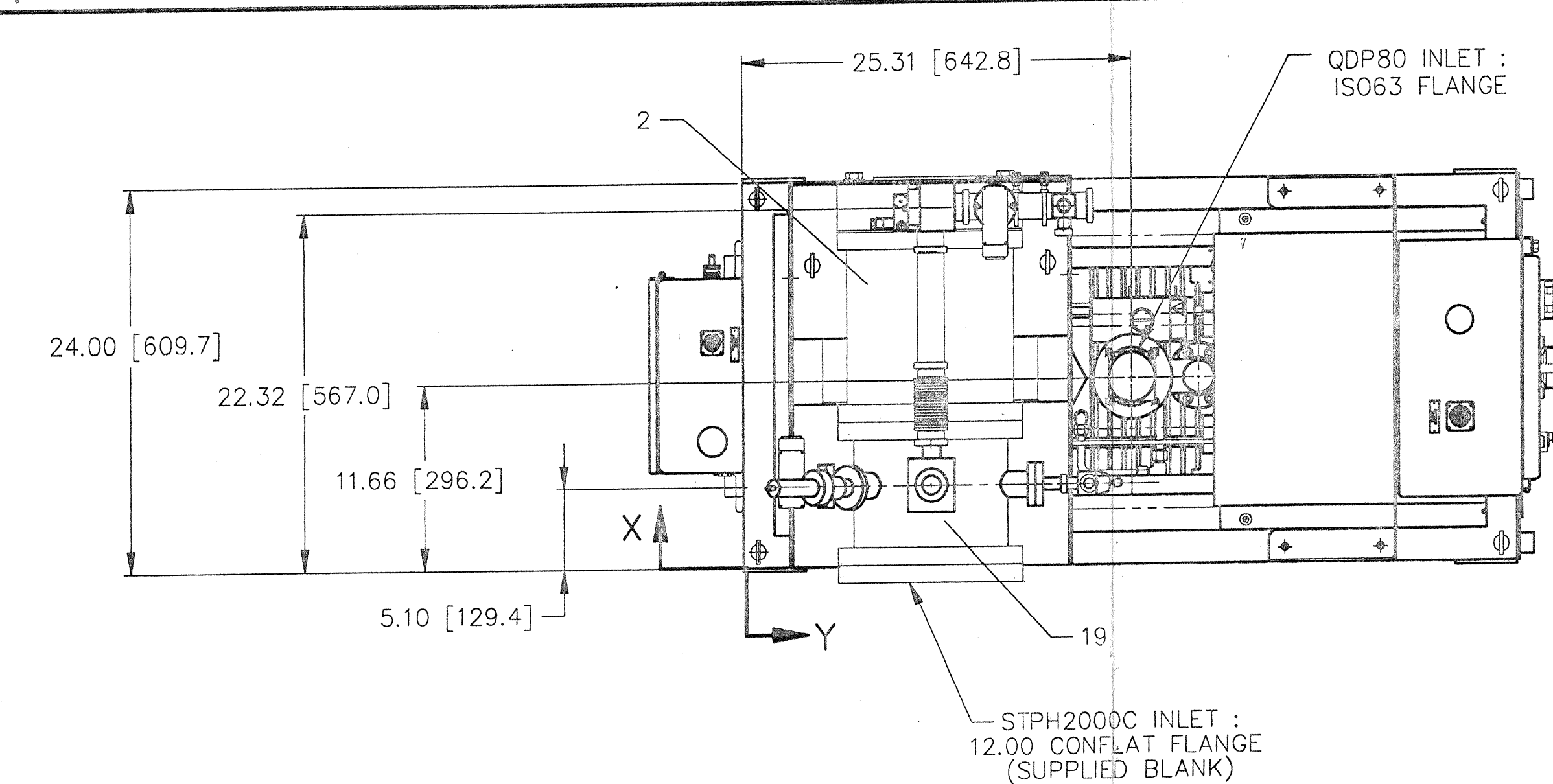


FACILITY REQUIREMENTS	
NITROGEN/ CLEAR DRY AIR	
SUPPLY PRESSURE	
MINIMUM SUPPLY PRESSURE	8 PSI
MAXIMUM SUPPLY PRESSURE	80 PSI
FLOWRATE	25 LPM
.25 S/S SWAGelok COMPRESSION	
PNEUMATIC SUPPLY	
VALVE PNEUMATIC	40-60 PSI
1/8 BSP CONN.	
PROCESS COOLING WATER	
MAXIMUM PRESSURE	100 PSI
MINIMUM PRESSURE DIFFERENTIAL	30 PSI
TYPICAL FLOWRATE AT 70°C.	232 LPH
MAXIMUM FLOWRATE AT 55°C.	397 LPH
RECOMMENDED SUPPLY TEMP.	20-25°C
3/8 NPT CONNECTION	
ELECTRICAL	
SUPPLY	SEE ELECTRICAL SCHEMATIC DRAWING NO. NGB050210.
FULL LOAD APERAGE	
RECOMMENDED SERVICE	

CONFLAT TORQUE SPEC.		
SIZE	BOLT	TORQUE
2.75	1/4-28 x 1.25	16 FT LB MAX.
12.00	5/16-24 x 3.00	26 FT LB MAX.

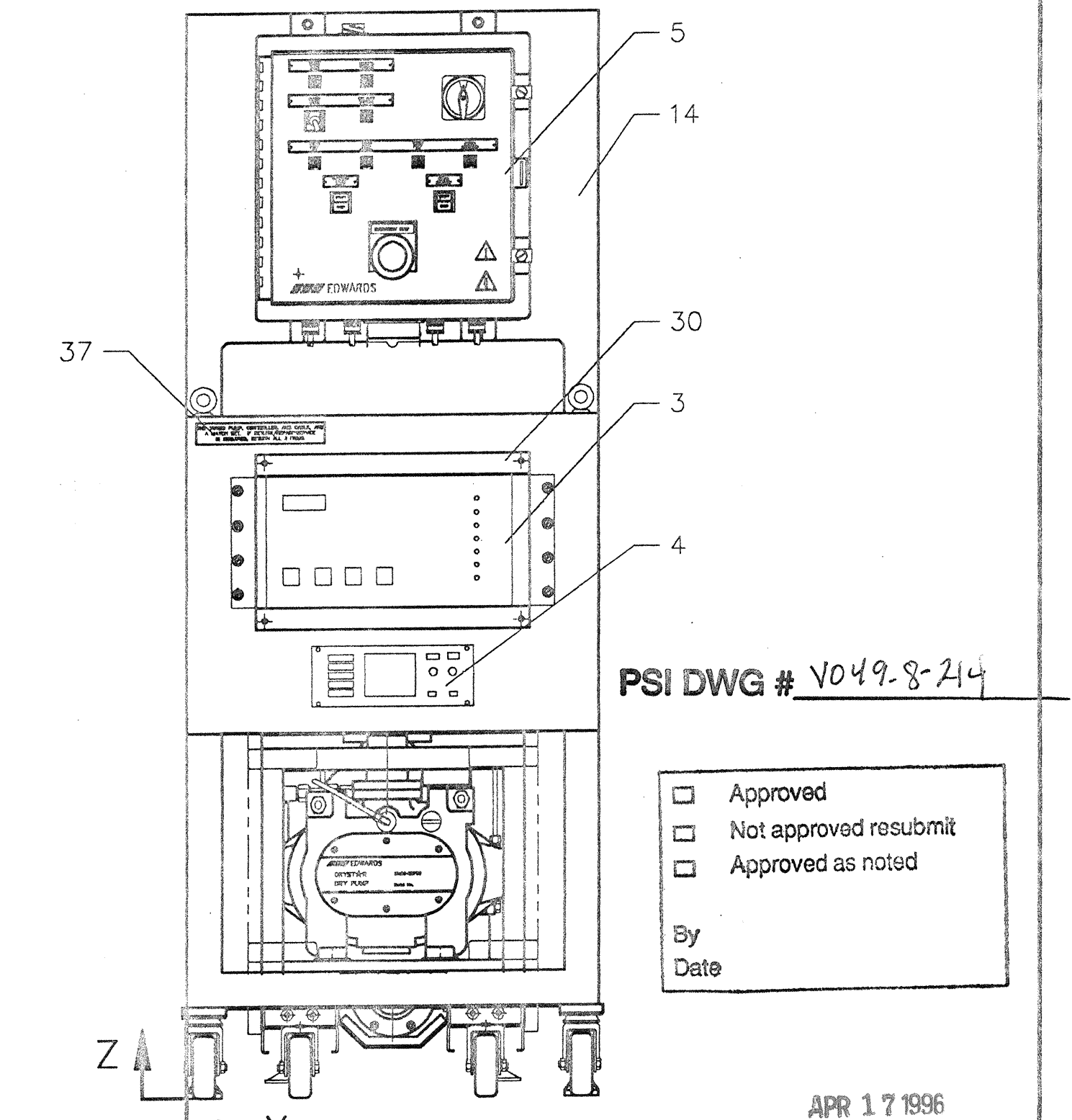


ESTIMATED CENTER OF GRAVITY				
DESCRIPTION	WT.	X	Y	Z
QDP80	445 LBS.	12.00	21.00	15.00
STP2000/CART	620 LBS	12.25	25.42	37.00
QDP80/STP2000/CART	1065 LBS	12.14	23.37	27.84



PART NO.	QTY.	DESCRIPTION	DWG. NO.	MATERIAL
1	1	MECHANICAL DRYPUMP : QDP80		
2	1	TURBOMOLECULAR PUMP : STPH2000C		
3	1	TURBOMOLECULAR PUMP CONTROLLER		
4	1	GAUGE CONTROLLER		
5	1	MAIN ELECTRICAL ENCLOSURE		
6	1	REMOTE BOX		
7	1	ISOLATION VALVE : SIPV40P		
8	1	ISOLATION VALVE : PV40MK		
9	2	ISOLATION VALVE : PV16MK		
10	2	PIRANI VALVE : 2.75 CONFLAT		
11	1	COLD CATHODE : 2.75 CONFLAT		
12	1	H2O KIT : U1000661		C3116
13	1	FRAME		D4523
14	1	BRACKET SUPPORT : MAIN ELECTRICAL ENCLOSURE		D3110
15	1	BRACKET SUPPORT : REMOTE BOX		C3113
16	1	MOUNTING BRACKET : STPH2000C TURBO PUMP		D4538
17	1	BRACKET : HOLDING UPPER PIPING		B2711
18	1	BRACKET : NW40 BELLOWS		B2686
19	1	SPOOL : 12.00 CONFLAT W/PORTS		C3118
20	1	SPOOL : NW63 x ISO63 x 5.00 LONG		C3119
21	1	ADAPTER SPOOL : NW40 x NW40 x 1.68 LONG		A3531
22	1	SPOOL : NW40 x NW40 W/PORTS		C3123
23	1	ADAPTOR : NW40/ISO63		
24	1	ADAPTOR : NW16/2.75 CONFLAT		
25	1	ADAPTOR : NW40/2.75 CONFLAT		
26	1	SPOOL : NW40 x NW40 x 7.00 LONG		A1865
27	3	BELLOWS : NW40 x 1000mm LONG		
28	1	BELLOWS : NW40 x 123mm LONG		
29	1	TEE : NW40 x NW40 x NW40		
30	1	COVER : CONTROL PANEL, FRONT		B2706
31	1	COVER : CONTROL PANEL, INSIDE		B2708
32	2	STANDOFF : INSIDE, CONTROL PANEL COVER		A3539
33	4	POLYURETHENE SPACERS : 1.75 O.D. x .50 THICK		A3521
34	24	NEOPRENE WASHER : 1.75 O.D. x .125 THICK		A3531
35	1	LABEL : WARNING DO NOT LIFT.....		A3536
36	2	LABEL : WARNING		A2685
37	1	LABEL : RETURN/REPAIR.....		A3543
38	8	EYEBOLTS : M12		

NOTE :
PART NO'S. 18, 20, 23, AND 27 ARE NOT SHOWN IN TOP VIEW, SO THAT QDP80 INLET LOCATION CAN BE SHOWN.
EYEBOLTS (PART NO. 38) TO BE PLACED IN THE FOUR (4) UPPER CORNERS OF THE MAIN FRAME AND FOUR (4) ARE TO BE PLACED ON THE TURBO MOUNTING BRACKET (PART NO.16).



CUSTOMER SPEC. : V049-2-002
APR 17 1996
PSI 2.8 1.5

DO NOT SCALE DRAWING		THIS DRAWING INCLUDES THE INFORMATION, DATA AND DESIGN IS THE PROPERTY OF EDWARDS HIGH VACUUM INC. GRAND ISLAND, NEW YORK 14072. IT IS NOT TO BE COPIED, REPRODUCED, OR ITS CONTENTS RELEASED WITHOUT THE WRITTEN PERMISSION OF EDWARDS.	
EDWARDS HIGH VACUUM INTERNATIONAL A Division of the BOC Group, Inc.			
Drawn	YS	Date	12-28-95
Checked	YS	Date	1/8-1-00
Approved	YS	Date	8/4/90
Non-Std No.	NG9050200	Dwg. No.	D-4507
Customer	PSI		