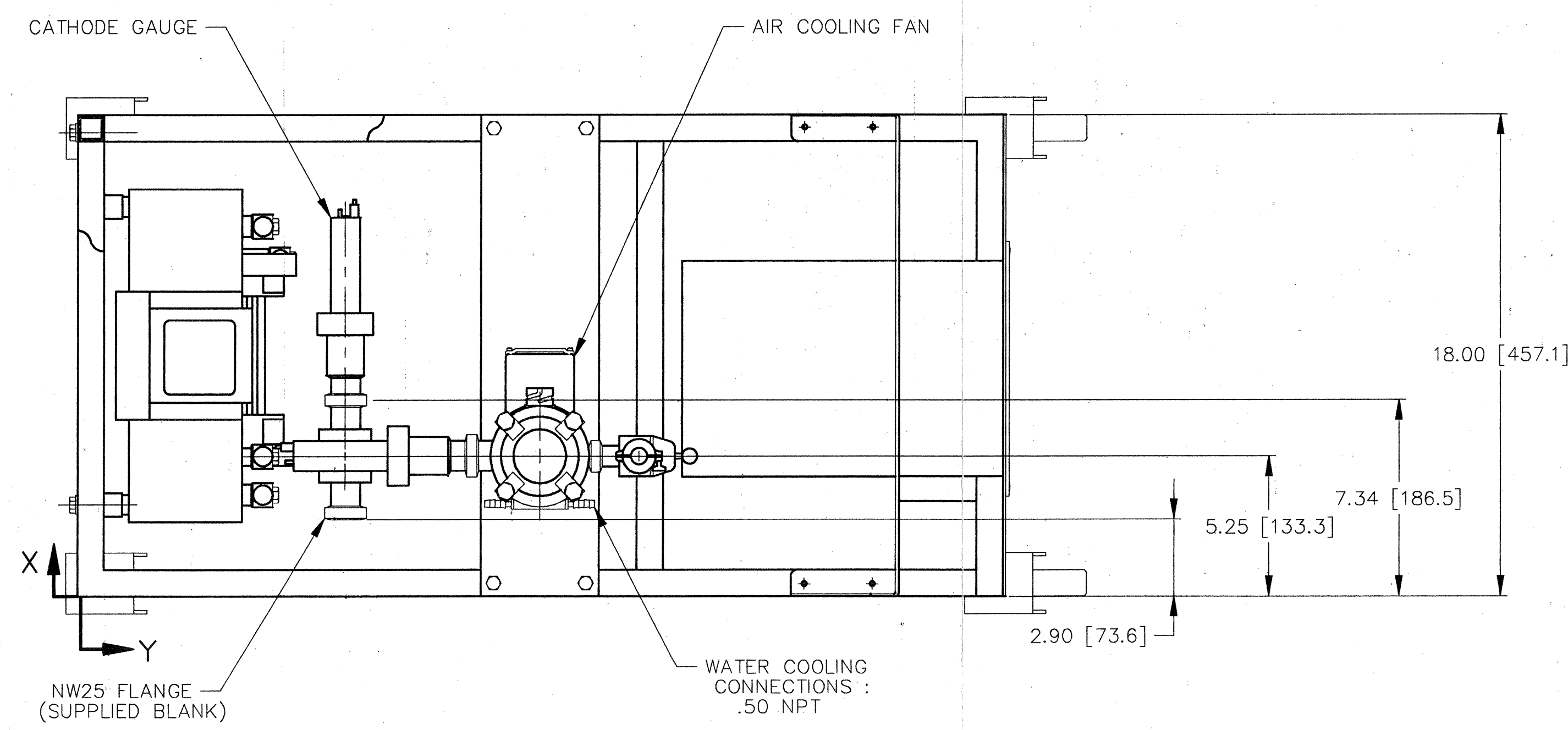
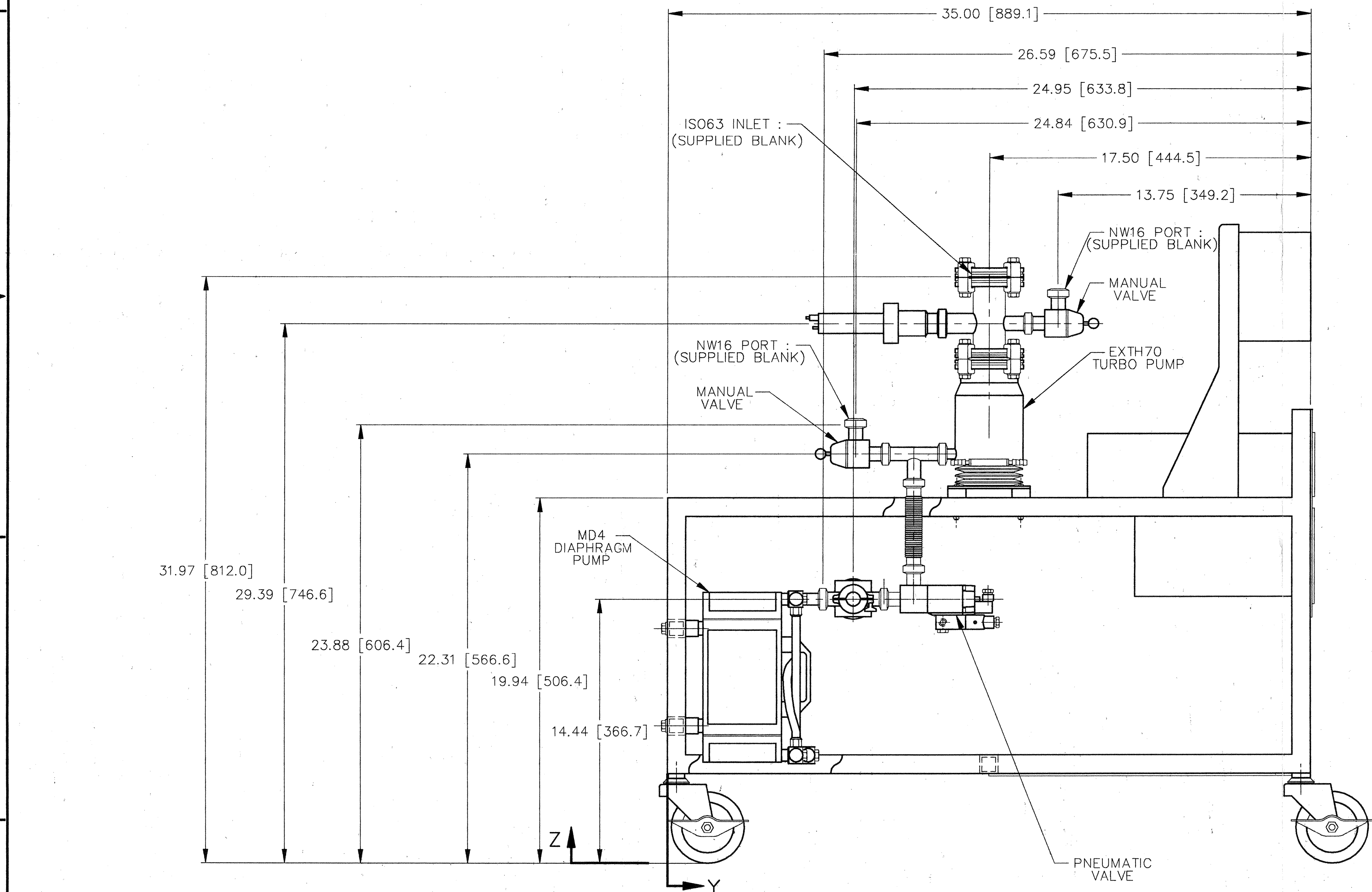


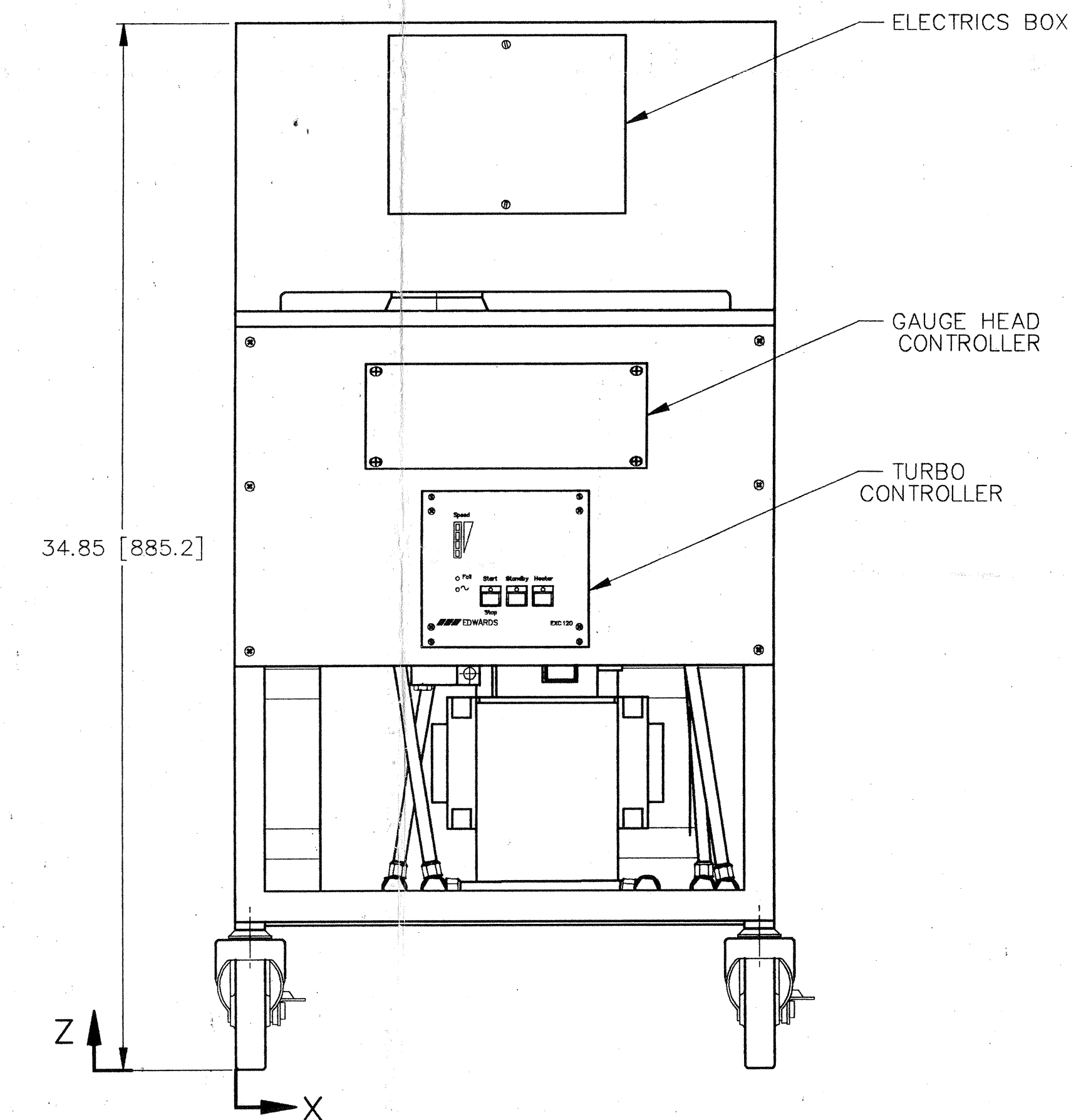
FACILITY REQUIREMENTS	
NITROGEN	
SUPPLY PRESSURE	
MINIMUM SUPPLY PRESSURE	
MAXIMUM SUPPLY PRESSURE	
FLOWRATE	
.50 S/S SWAGelok COMPRESSION	
PROCESS COOLING WATER	
MAXIMUM PRESSURE	
MINIMUM PRESSURE DIFFERENTIAL	
TYPICAL FLOWRATE AT 70°C	
MAXIMUM FLOWRATE AT 55°C	
RECOMMENDED SUPPLY TEMP.	
.75 NPT CONNECTION	
ELECTRICAL	
SUPPLY	
FULL LOAD AMPERAGE	
RECOMMENDED SERVICE	



PART NO.	QTY.	DESCRIPTION	DWG. NO.	MATERIAL
1	1	TURBOMOLECULAR PUMP : EXT70H		
2	1	VACUUM PUMP OIL FREE : MD4		
3	1	ELECTRICAL ENCLOSURE		
4	1	GAUGE CONTROLLER : 937		
5	1	TURBO CONTROLLER : EXC120		
6	1	ISOLATION VALVE : PNEUMATIC, PV16PKS		
7	1	SOLENOID VALVE :		
8	2	ISOLATION VALVE, MANUAL : PV16MK		
9	1	AIR COOLING FAN : ACX70		
10	1	FRAME		
11	1	CONTROLLER MOUNTING PLATE		
12	1	BRACKET : ENCLOSURE		
13	1	TURBO MOUNTING BASEPLATE		
14	4	BASEPLATE ISOLATORS		
15	1	REDUCING TEE : NW25 TO NW16 S/S		
16	1	TEE : NW16		
17	1	FLEXIBLE BELLOWS : NW16 x 123mm LONG		
18	1	BLANK FLANGE : ISO63		
19	2	TRAPPED 'O' RING, (BAKED) : ISO63		
20	1	CENTERING RING (BAKED) : NW25		
21	2	CENTERING RING : NW25		
22	3	CLAMPING RING : NW25		
23	1	BLANK FLANGE : NW25		
24	7	CENTERING RING, (BAKED) : NW16		
25	2	CENTERING RING : NW16		
26	2	BLANK FLANGE : NW16		
27	9	CLAMPING RING : NW16		
28	8	CLAW CLAMP, DOUBLE : ISO63		



DRAFT : DIMENSION PRINT ONLY



CENTER OF GRAVITY				
DESCRIPTION	WT	X	Y	Z
EXT70H				
MD4/CART				
EXT70H/MD4/CART				

CUSTOMER SPEC. : VO49-2-003

DO NOT SCALE DRAWING		THIS DRAWING INCLUDING THE INFORMATION, DATA, AND DESIGN IS THE PROPERTY OF EDWARDS HIGH VACUUM INC. IT IS NOT TO BE COPIED, REPRODUCED, OR ITS CONTENTS DISCLOSED WITHOUT THE WRITTEN PERMISSION OF EDWARDS.	
EDWARDS HIGH VACUUM INTERNATIONAL GRAND ISLAND, NEW YORK 14072 A Division of the BOC Group, Inc.		UNLESS OTHERWISE STATED: All dimensions are in inches unless otherwise specified. All dimensions to be in inches unless otherwise specified. All dimensions to be in inches unless otherwise specified. All dimensions to be in inches unless otherwise specified.	
Drawn: YS	Date: 01-11-95	Checked: Scale: 1/4 = 1.00	Approved: RFD No. 8490
Non-Std. No. NGB050300	Customer: PSI	Dwg. No. D-4508-A	L160-D960522-00-V