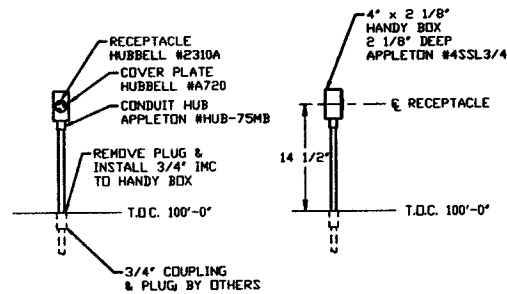
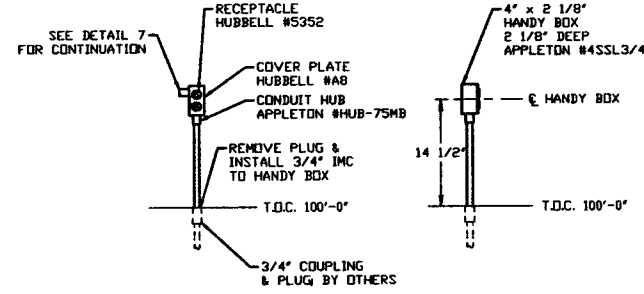


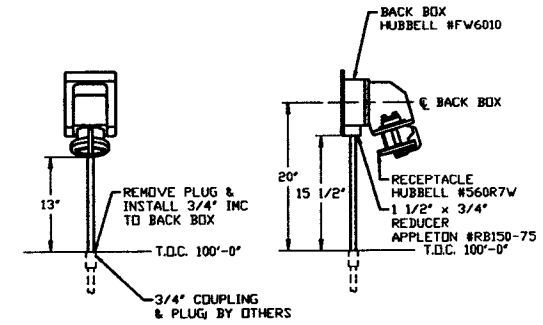
DETAIL 1
SCALE 1" = 1'-0"
BAKEDOUT CART/CLEAN ROOM RECEPTACLE



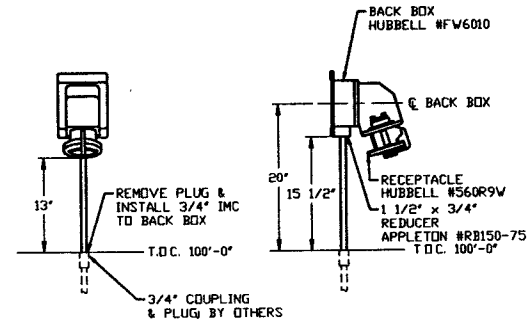
DETAIL 2
SCALE 1" = 1'-0"
BAKEDOUT CART CONTROL RECEPTACLE



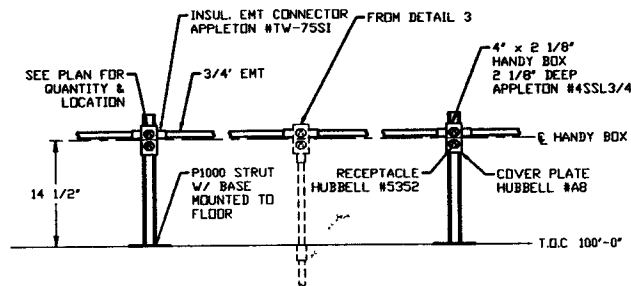
DETAIL 3
SCALE 1" = 1'-0"
GENERAL/ION PUMP/AUX. TURBO RECEPTACLE



DETAIL 4
SCALE 1" = 1'-0"
ROUGHING PUMP RECEPTACLE

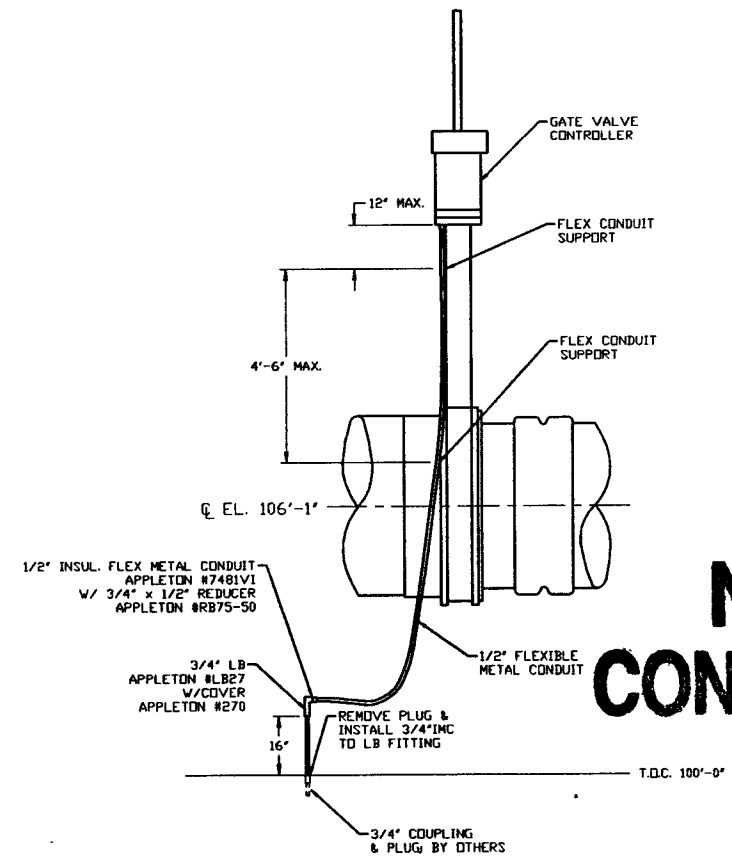


DETAIL 5
SCALE 1" = 1'-0"
TURBO PUMP RECEPTACLE



DETAIL 7
SCALE 1" = 1'-0"
GENERAL/ION PUMP/AUX. TURBO RECEPTACLE CONTINUATION

DETAIL 8
SCALE 1" = 1'-0"
REGEN HEATER



DETAIL 6
SCALE 1/2" = 1'-0"
GATE VALVE POWER

NOT FOR CONSTRUCTION

DETAIL 9
SCALE 1" = 1'-0"
AIR COMPRESSOR

DETAIL 10
SCALE 1" = 1'-0"
TURBO BACKING RECEPTACLE

DETAIL 11
SCALE 1" = 1'-0"
ROUGH BACKING

LIGO-D960548-00-V

<p>PROPRIETARY AND CONFIDENTIAL</p> <p>THIS DOCUMENT CONTAINS PROPRIETARY INFORMATION BELONGING TO PROCESS SYSTEMS INTERNATIONAL, INC. OR ITS AFFILIATED COMPANIES AND SHALL BE USED ONLY FOR THE PURPOSE FOR WHICH IT WAS SUPPLIED. IT SHALL NOT BE COPIED, REPRODUCED OR OTHERWISE USED, NOR SHALL SUCH INFORMATION BE FURNISHED IN WHOLE OR IN PART TO OTHERS EXCEPT IN ACCORDANCE WITH THE TERMS OF ANY AGREEMENT UNDER WHICH IT WAS SUPPLIED OR WITH THE PRIOR WRITTEN CONSENT OF PROCESS SYSTEMS INTERNATIONAL, INC. AND SHALL BE RETURNED UPON REQUEST.</p>		<p>UNLESS OTHERWISE SPECIFIED</p> <p>DIMENSIONS ARE IN INCHES</p> <p>TOLERANCES:</p> <p>FRACTIONAL & ANGULAR DIMS: 0.005" - 0.25" DIMS: 0.005"</p> <p>TWO PLACE DECIMAL & 0.00</p> <p>THREE PLACE DECIMAL & 0.000</p> <p>FURNISHED SURFACE DIMS: BREAK CORNERS 0.015"</p> <p>REMOVE ALL BURRS</p>		<p>DO NOT SCALE THIS DRAWING</p> <p>USED ON: 0 ISSUE FOR FDR</p> <p>REV: 0</p> <p>NEXT ASS'Y:</p>		<p>04.26.96 0129</p> <p>CHKD: [Signature] DRWN: [Signature] DATE: 04.26.96</p>		<p>PROCESS SYSTEMS INTERNATIONAL, INC.</p> <p>20 WALKUP DR. WESTBOROUGH, MASSACHUSETTS 01581 USA</p> <p>ELECTRICAL INSTALLATION DETAILS</p> <p>LIGO VACUUM EQUIPMENT</p> <p>WASHINGTON SITE & LOUISIANA SITE</p> <p>CAD FILE: V0493006 SIZE: D DWG NO: V049-3-006 REV: 0</p> <p>SCALE: AS NOTED SHEET: 1 OF 1</p>					
<p>REFERENCE DRAWINGS</p>		<p>6</p>		<p>5</p>		<p>4</p>		<p>3</p>		<p>2</p>		<p>1</p>	